



US00D568409S

(12) **United States Design Patent**  
**Ikeda et al.**

(10) **Patent No.:** **US D568,409 S**  
(45) **Date of Patent:** **\*\* May 6, 2008**

(54) **PORTION OF A STEERING WHEEL FOR A GAME CONTROLLER**

(75) Inventors: **John Ikeda**, Seattle, WA (US); **Joshua David Maruska**, Seattle, WA (US)

(73) Assignee: **Microsoft Corporation**, Redmond, WA (US)

(\*\*) Term: **14 Years**

(21) Appl. No.: **29/275,195**

(22) Filed: **Dec. 15, 2006**

(51) **LOC (8) Cl.** ..... **21-01**

(52) **U.S. Cl.** ..... **D21/333; D21/385; D14/414; D14/416**

(58) **Field of Classification Search** ..... D14/400, D14/401, 414, 416, 412, 432; D21/324, D21/333, 385, 477, 561, 566; 273/148 B, 273/440, 441, 442; 434/45, 46; 463/1, 29-35, 463/46, 47

See application file for complete search history.

(56) **References Cited**

**U.S. PATENT DOCUMENTS**

5,829,745	A *	11/1998	Houle	.....	273/148 B
D410,970	S *	6/1999	Larian	.....	D21/329
D420,708	S *	2/2000	Holmes et al.	.....	D21/329
D434,086	S *	11/2000	Ford	.....	D21/328
D444,820	S *	7/2001	Knaub et al.	.....	D21/333

6,279,906	B1 *	8/2001	Sanderson et al.	.....	273/148 B
D451,557	S *	12/2001	Yu	.....	D21/328
6,544,124	B2 *	4/2003	Ireland et al.	.....	463/37
D497,365	S *	10/2004	Hussaini et al.	.....	D14/414
6,976,677	B1 *	12/2005	McVicar	.....	273/148 B
D517,124	S *	3/2006	Merril et al.	.....	D21/324
D522,516	S *	6/2006	Hussaini et al.	.....	D14/414
D553,622	S *	10/2007	Petrotta	.....	D14/414

\* cited by examiner

*Primary Examiner*—Prabhakar Deshmukh

(74) *Attorney, Agent, or Firm*—Banner & Witcoff, Ltd.

(57) **CLAIM**

The ornamental design for a portion of a steering wheel for a game controller, as shown and described.

**DESCRIPTION**

FIG. 1 is a front perspective view of a portion of a steering wheel for a game controller showing our new design;

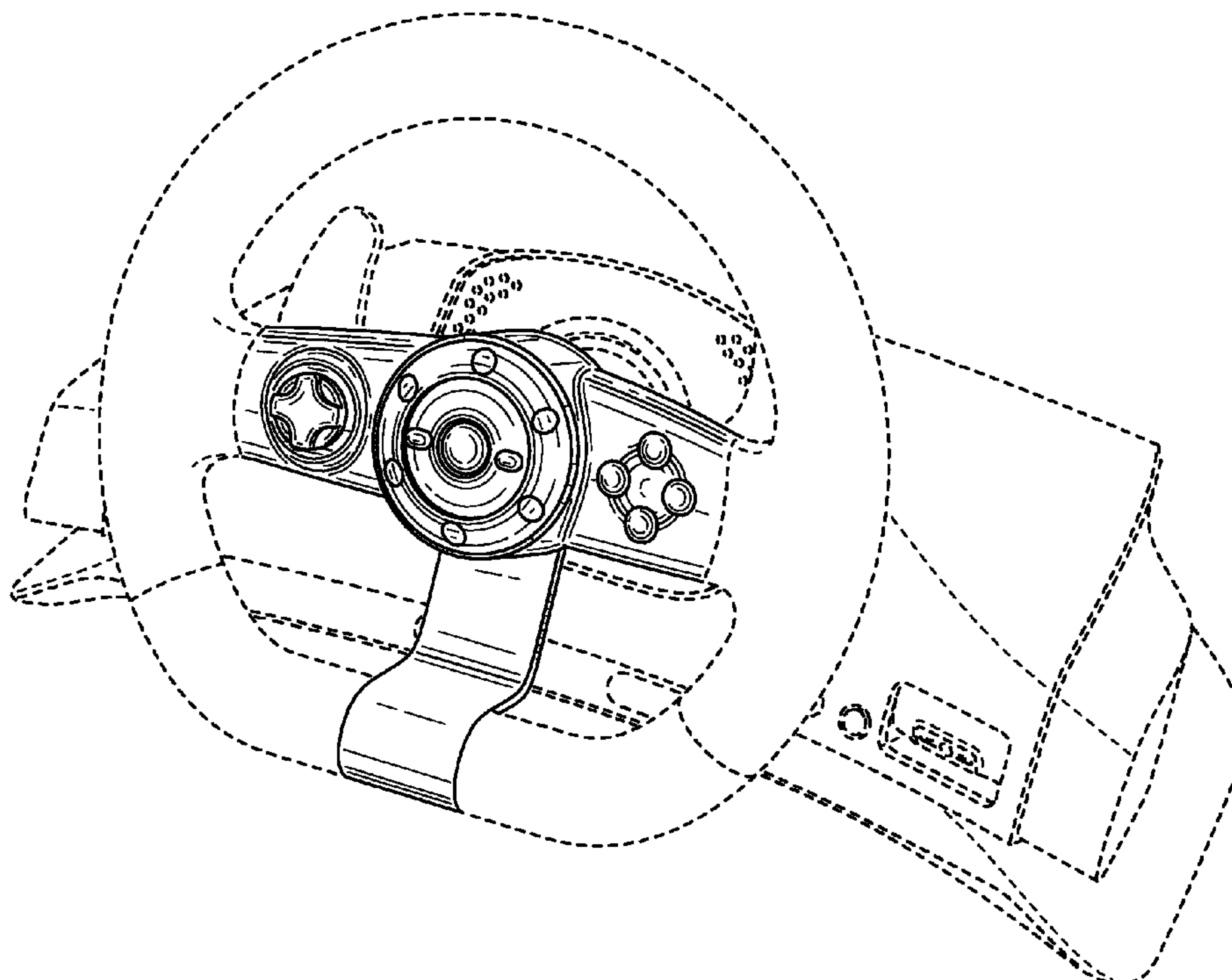
FIG. 2 is a front view thereof; and,

FIG. 3 is a top view thereof.

The broken line showing of the remainder of the steering wheel and the remainder of the game controller is for illustrative purposes only and forms no part of the claimed design.

The broken lines, which define the bounds of the claimed design, on the lateral spoke member, form no part thereof.

**1 Claim, 3 Drawing Sheets**



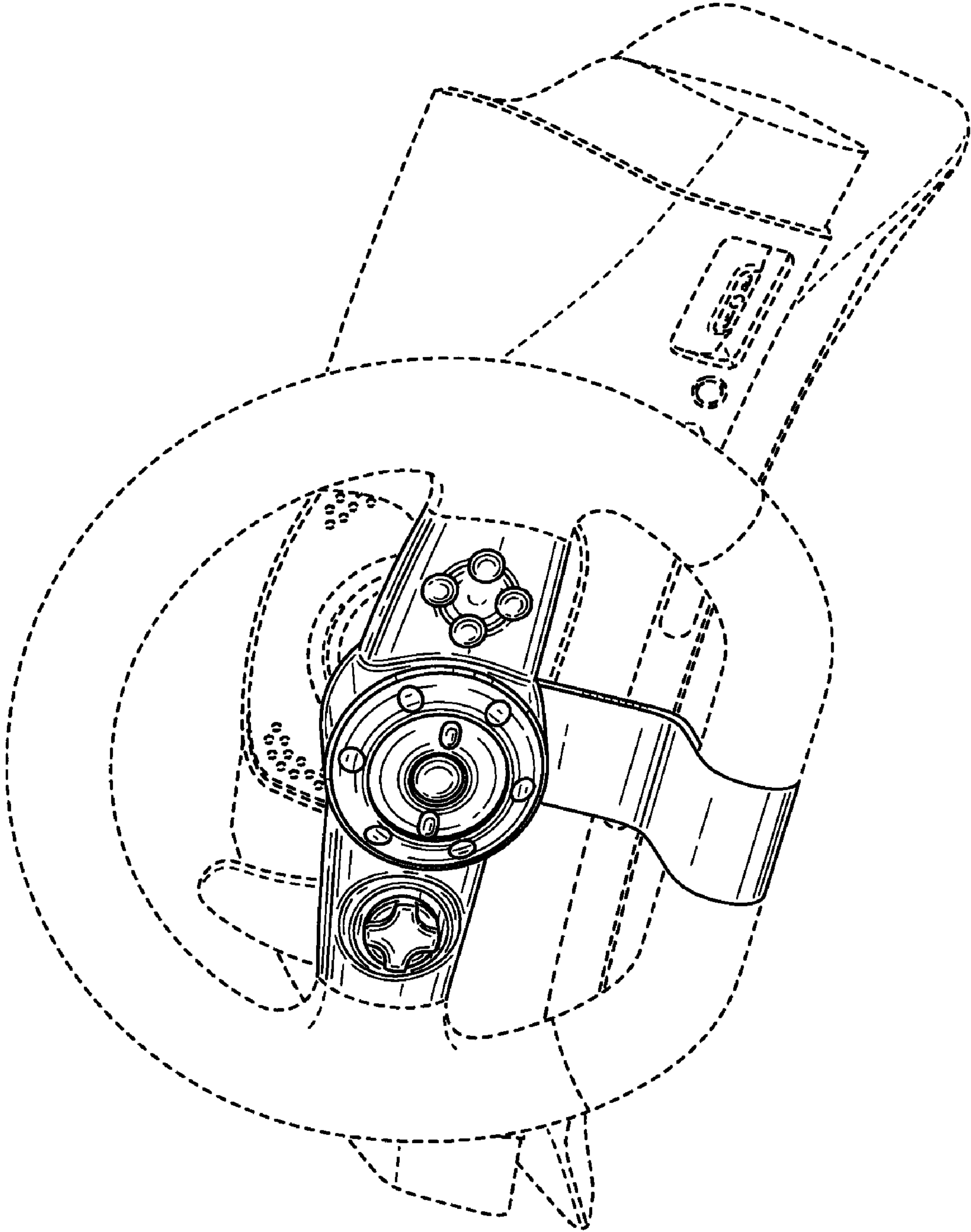


FIG. 1

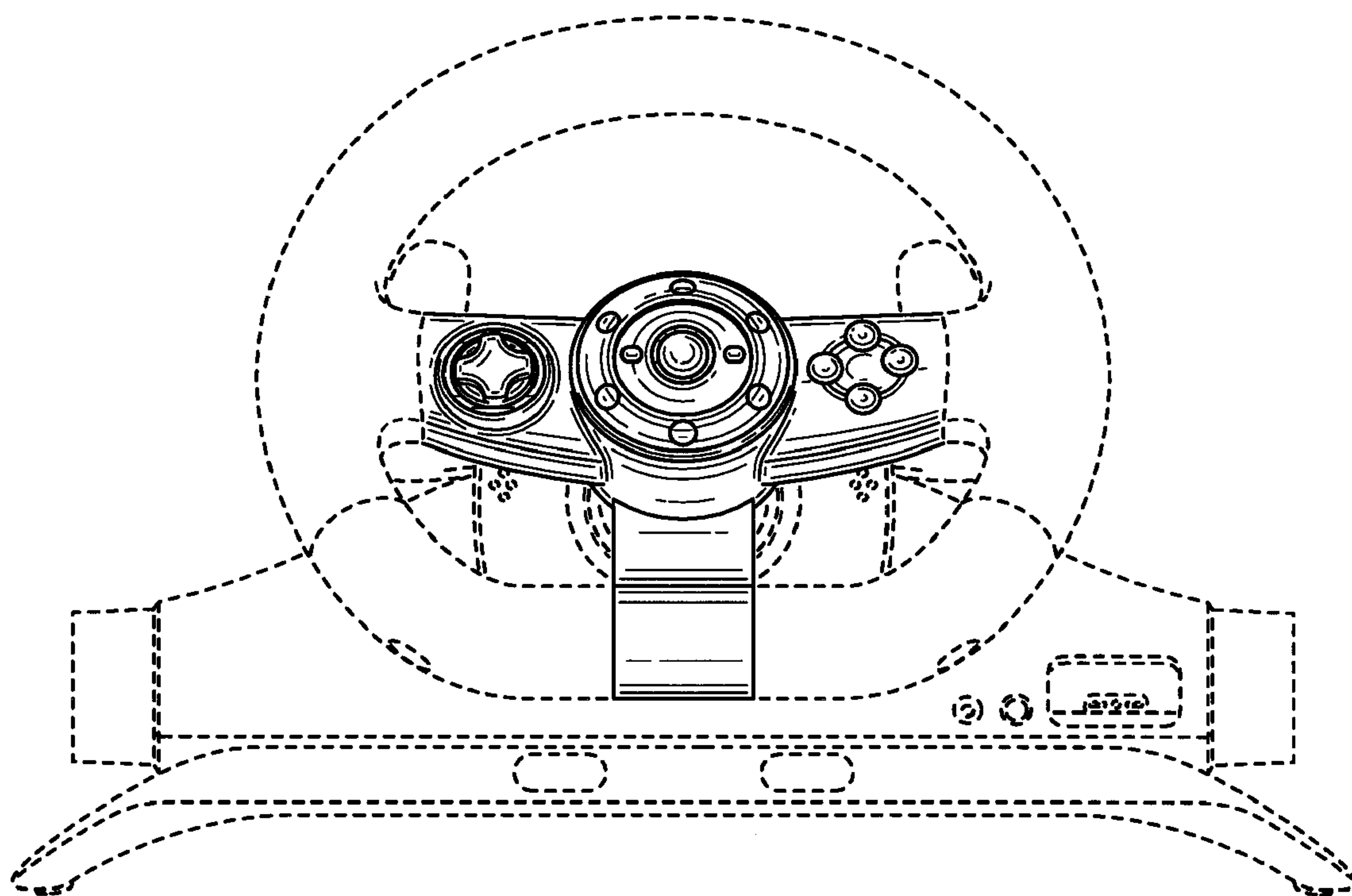


FIG. 2

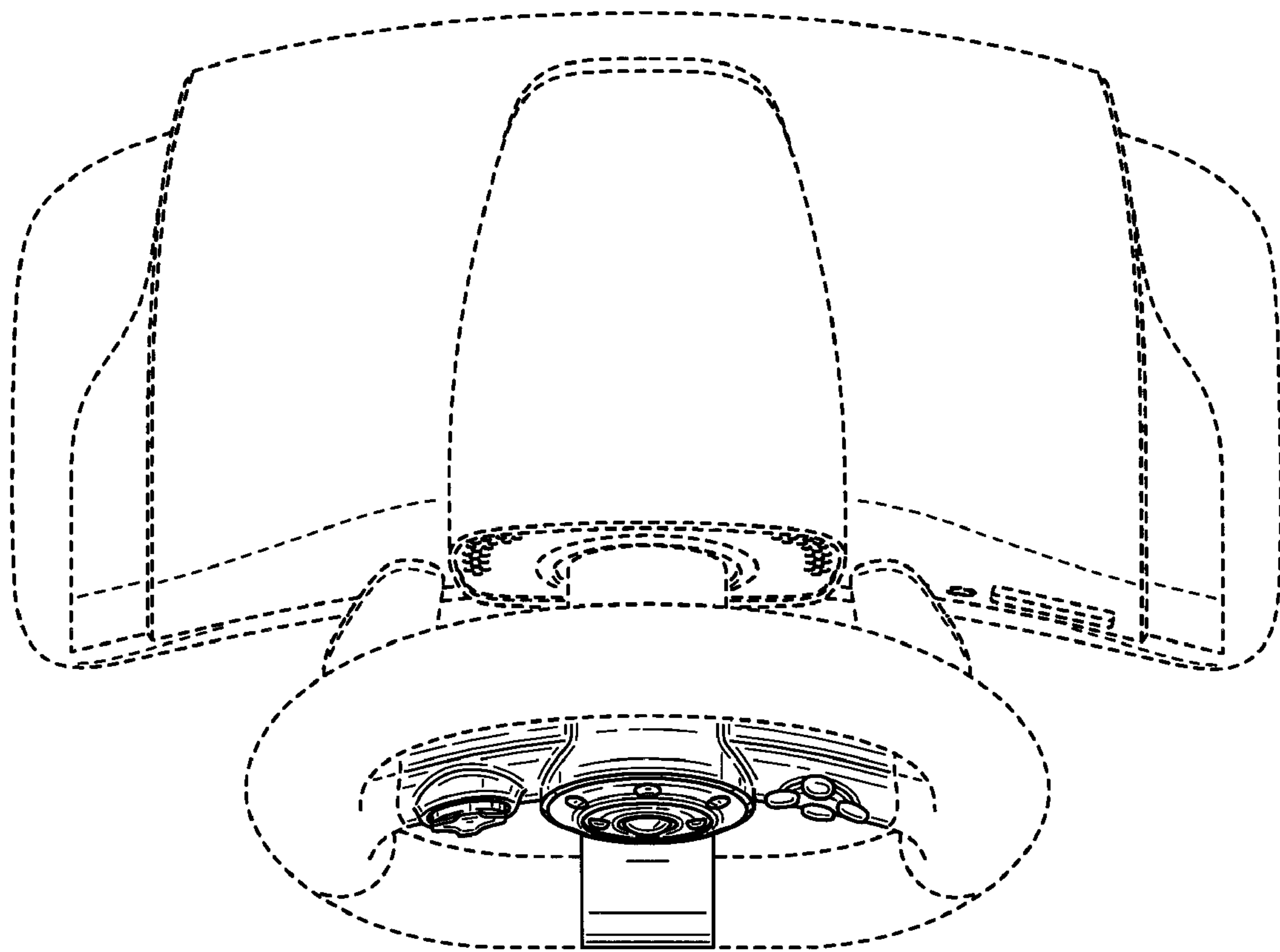


FIG. 3