



US00D568408S

(12) **United States Design Patent**  
**Ibaraki et al.**

(10) **Patent No.:** **US D568,408 S**

(45) **Date of Patent:** **\*\* May 6, 2008**

(54) **GAME DEVICE**

(75) Inventors: **Shinichirou Ibaraki**, Tokyo (JP);  
**Tatsuya Nakamura**, Tokyo (JP)

(73) Assignee: **Kabushiki Kaisha Sega**, Tokyo (JP)

(\*\*) Term: **14 Years**

(21) Appl. No.: **29/287,629**

(22) Filed: **Aug. 30, 2007**

(51) **LOC (8) Cl.** ..... **21-01**

(52) **U.S. Cl.** ..... **D21/326**

(58) **Field of Classification Search** ..... D21/324–328,  
D21/333, 385, 453, 573, 574; D14/418,  
D14/432; 273/317, 317.1, 348, 349, 148 B,  
273/355, 459–461, 356, 407; 463/1–5, 46,  
463/47, 47.2, 49, 51; 434/16, 18–20, 24  
See application file for complete search history.

(56) **References Cited**

**U.S. PATENT DOCUMENTS**

- 5,299,810 A \* 4/1994 Pierce et al. .... 463/2
- 5,713,794 A \* 2/1998 Shimojima et al. .... 463/36
- D398,658 S \* 9/1998 Matsuba ..... D21/326
- D421,070 S \* 2/2000 Jang et al. .... D21/325
- 6,379,249 B1 \* 4/2002 Satsukawa et al. .... 463/31
- D471,594 S \* 3/2003 Nojo ..... D21/326

- D508,269 S \* 8/2005 Wichinsky ..... D21/369
- D516,128 S \* 2/2006 Nunokawa ..... D21/327
- D541,875 S \* 5/2007 Wada ..... D21/326

\* cited by examiner

*Primary Examiner*—Prabhakar Deshmukh

(74) *Attorney, Agent, or Firm*—Dickstein Shapiro LLP

(57) **CLAIM**

The ornamental design for a game device, as shown and described.

**DESCRIPTION**

FIG. 1 is a front, top and right side perspective view of our new design for a game device;

FIG. 2 is a front elevational view of the game device of FIG. 1;

FIG. 3 is a rear elevational view of the game device of FIG. 1;

FIG. 4 is a top plan view of the game device of FIG. 1;

FIG. 5 is a bottom plan view of the game device of FIG. 1;

FIG. 6 is a right side elevational view of the game device of FIG. 1; and,

FIG. 7 is a left side elevational view of the game device of FIG. 1.

**1 Claim, 7 Drawing Sheets**

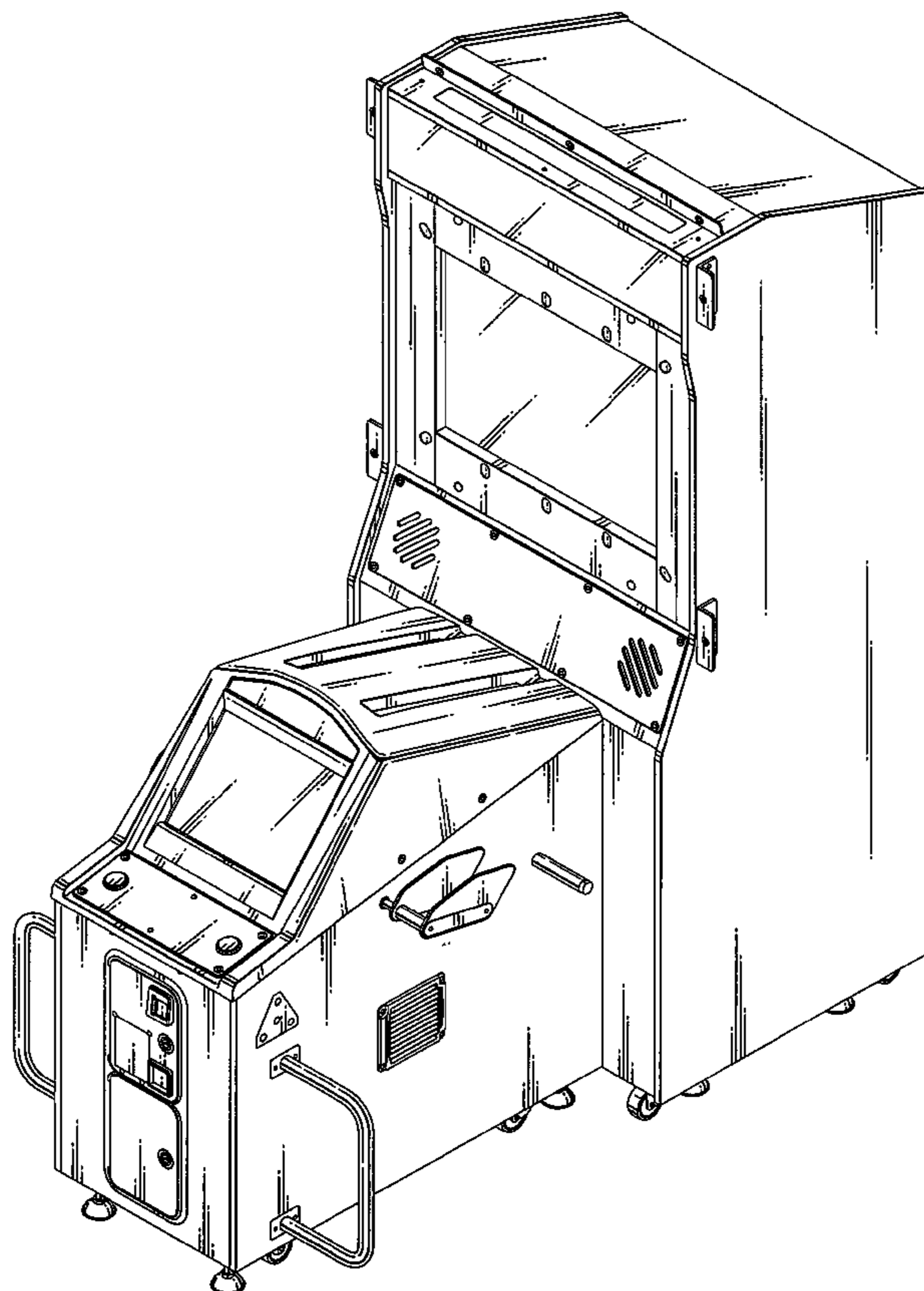


FIG. 1

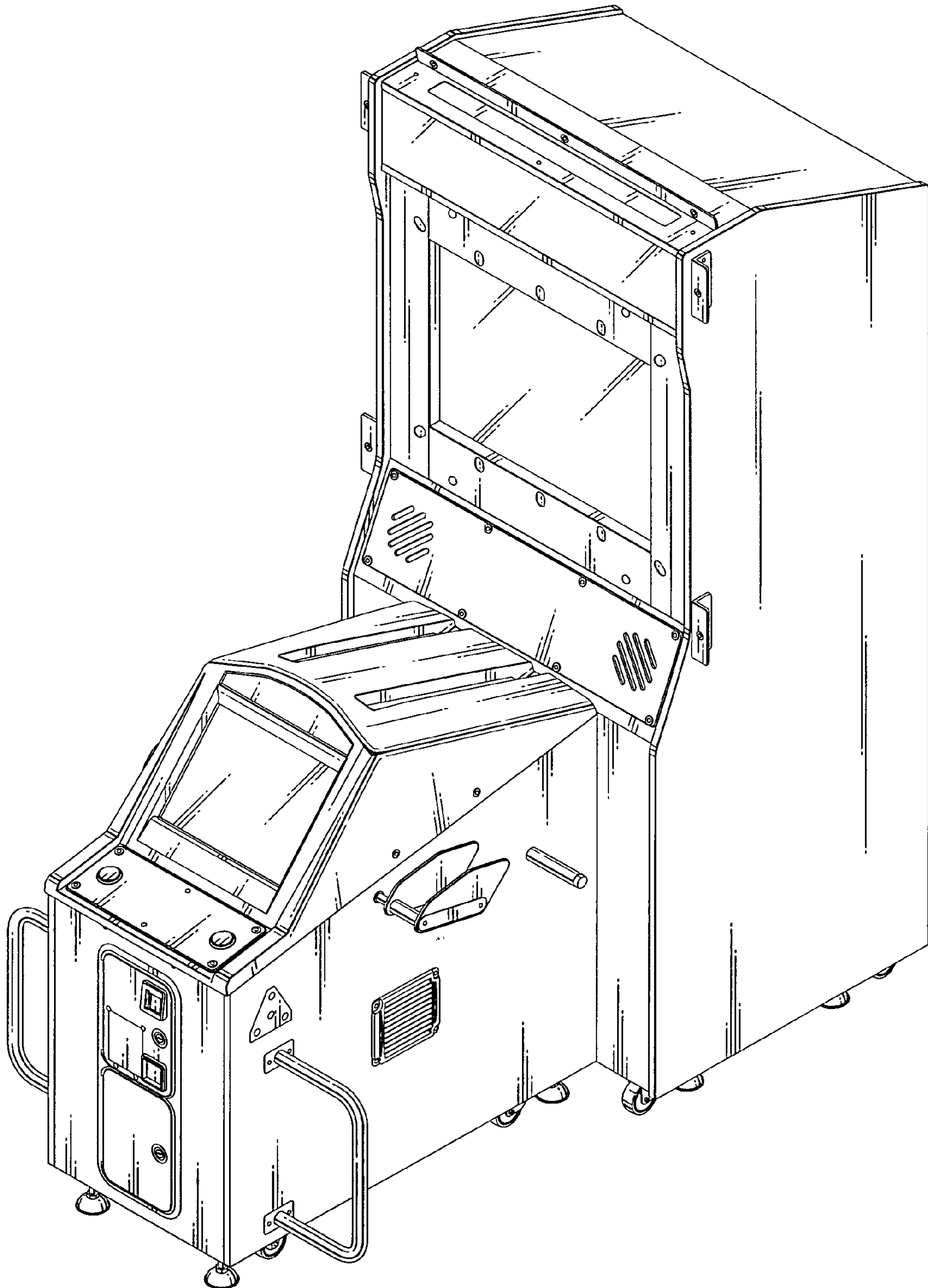


FIG.2

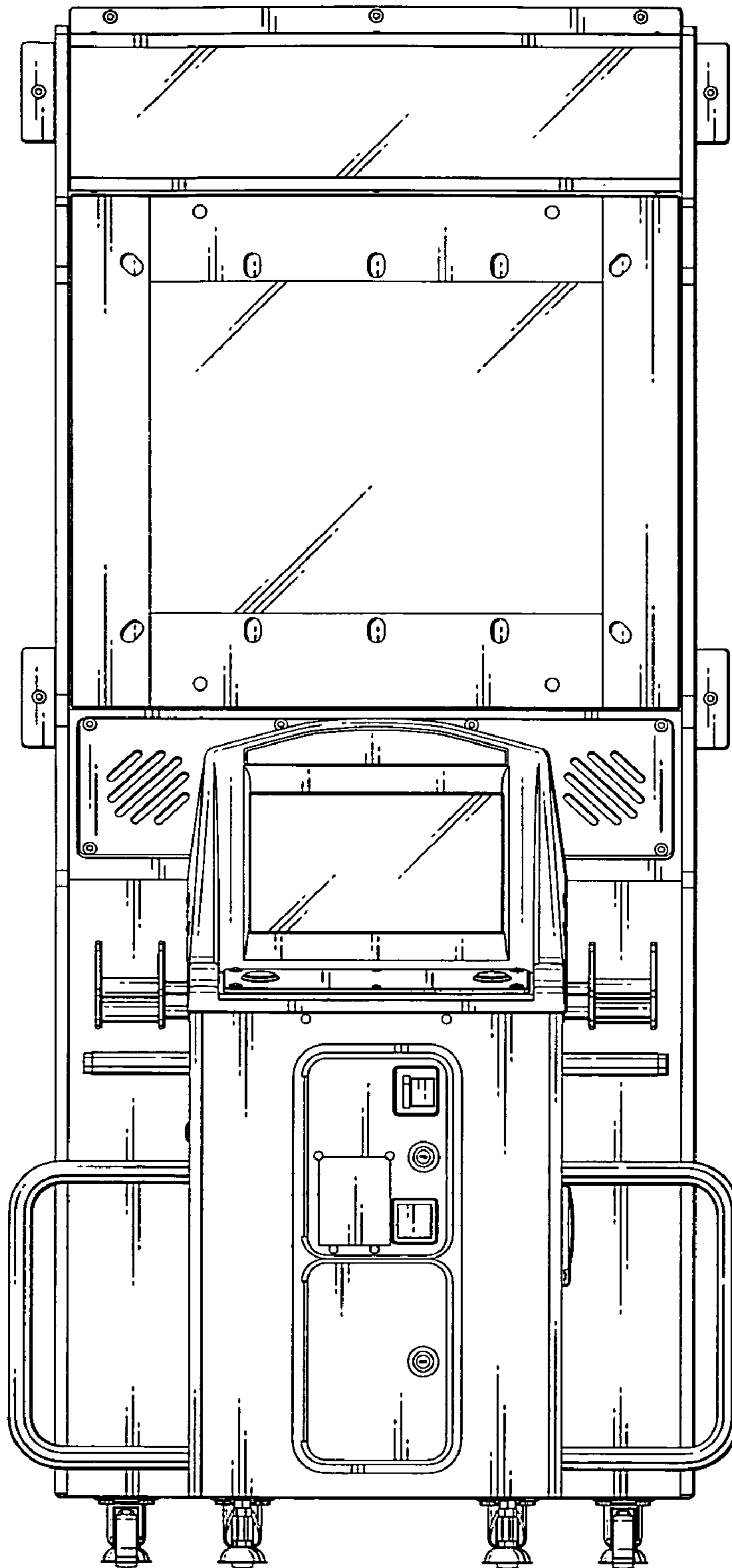


FIG.3

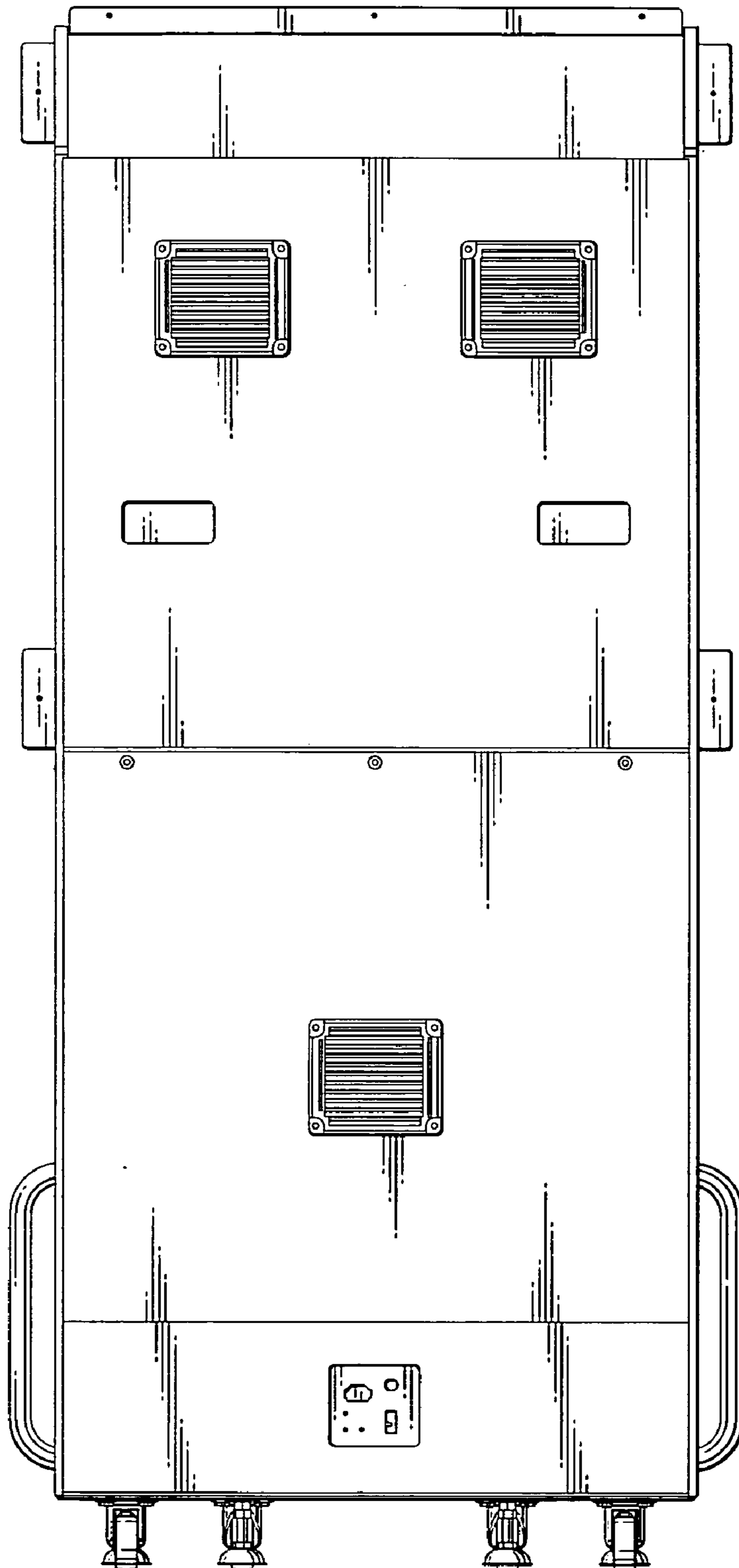


FIG. 4

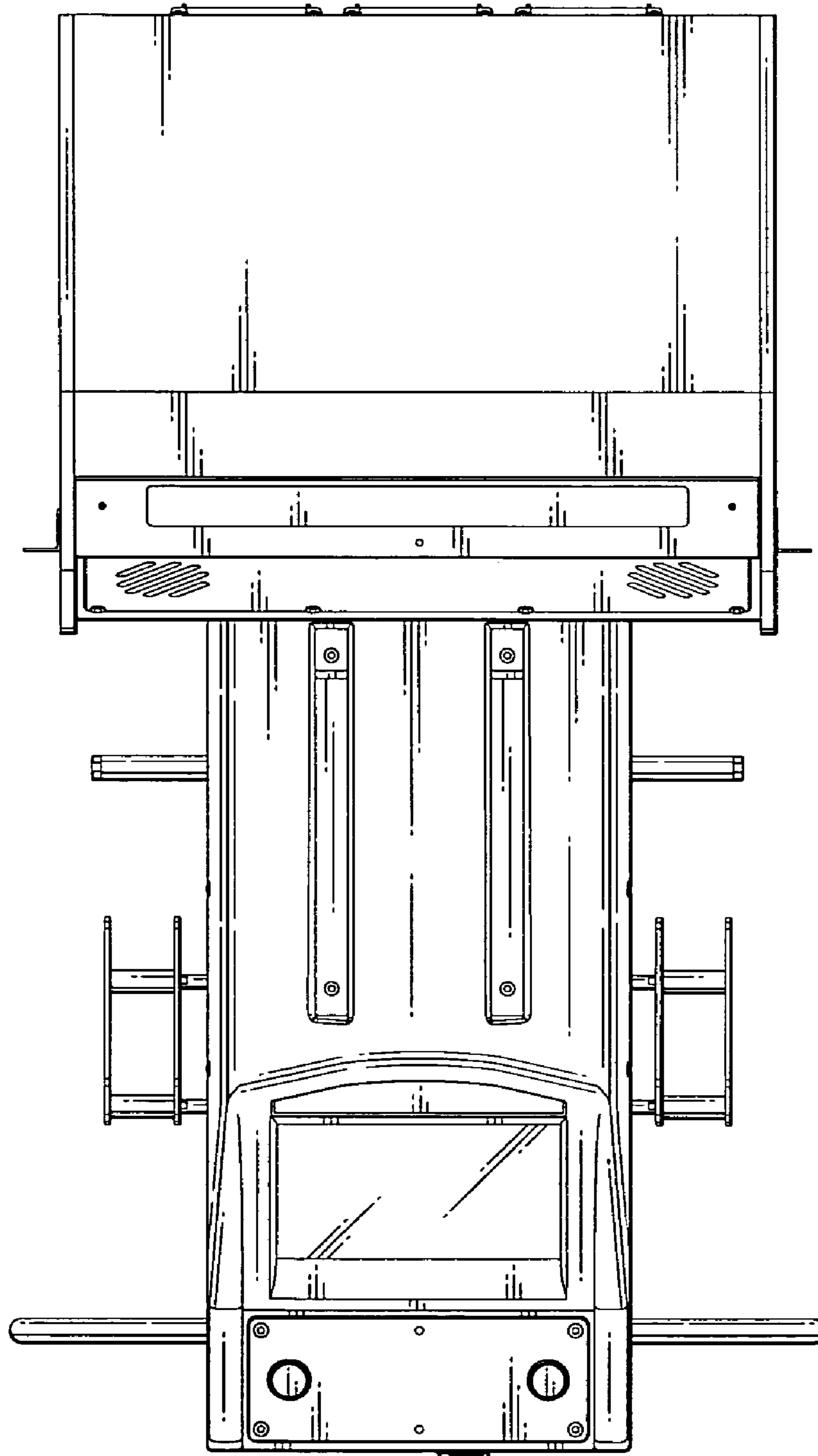


FIG.5

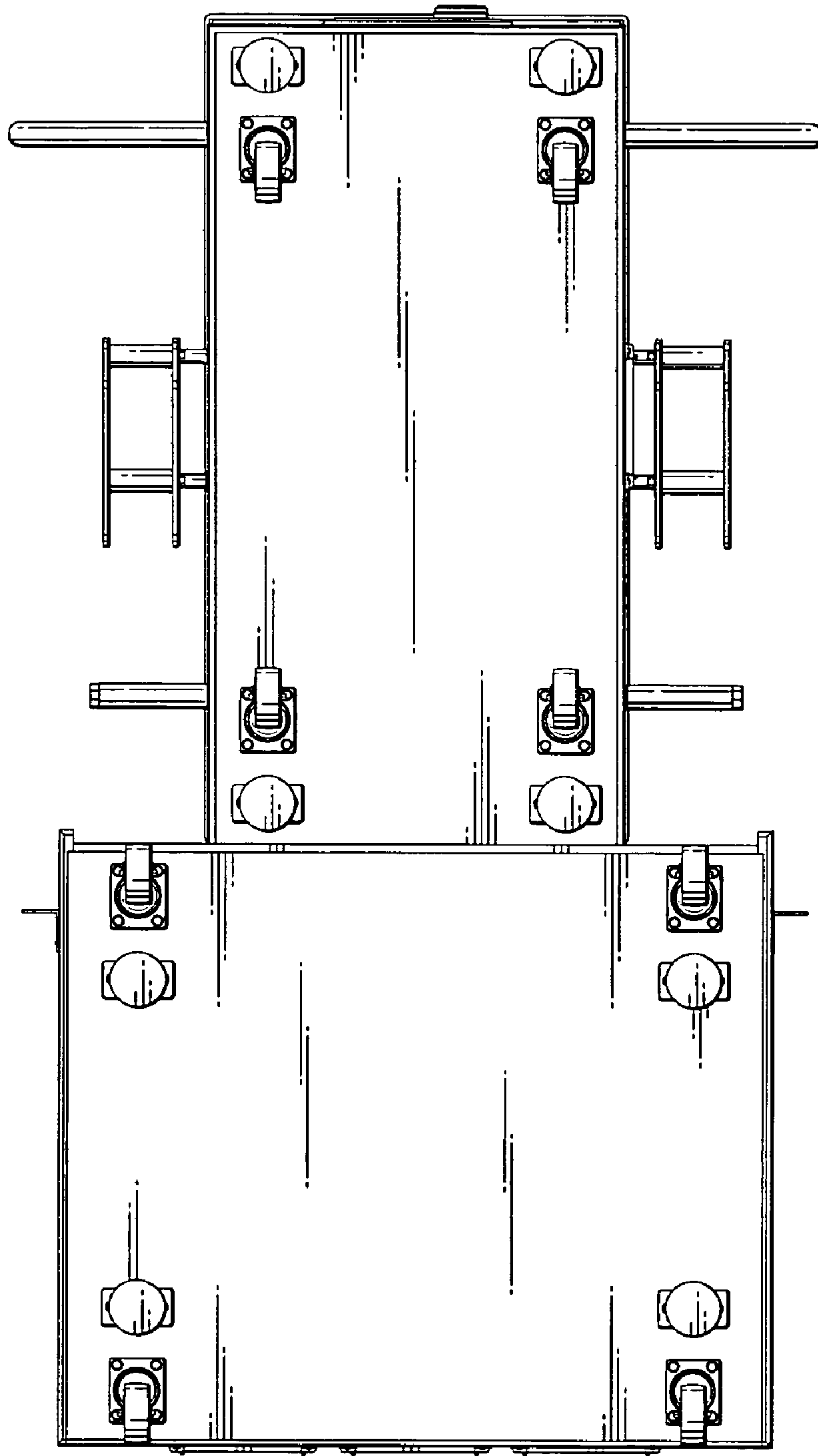


FIG.6

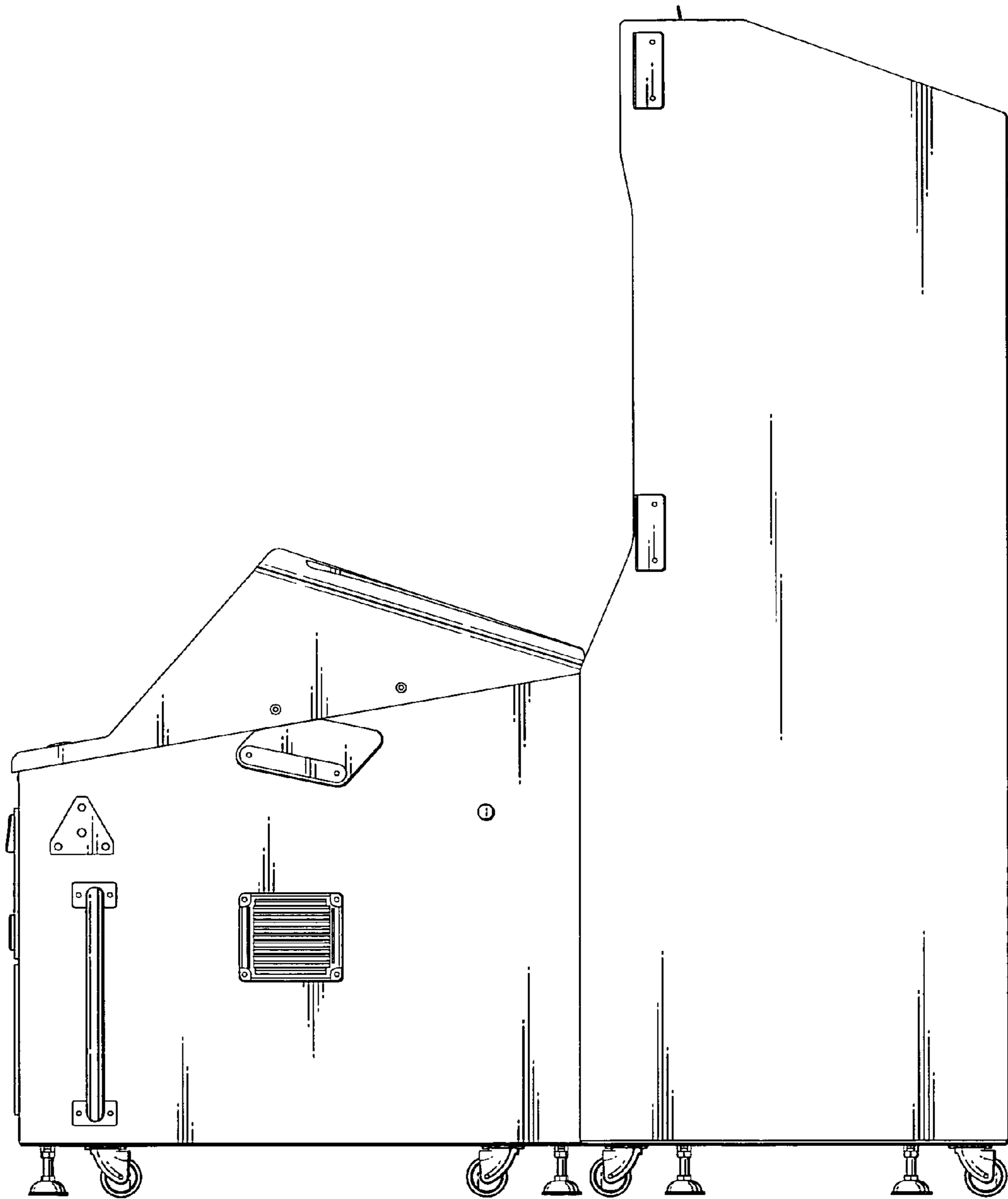


FIG.7

