

US00D568403S

(12) **United States Design Patent**
Hearsey

(10) **Patent No.:** **US D568,403 S**

(45) **Date of Patent:** **** May 6, 2008**

(54) **ALBUM STAND**

(76) **Inventor:** **Marianne Hearsey**, 309 Quinn Rd.,
Clover, SC (US) 29710

(**) **Term:** **14 Years**

(21) **Appl. No.:** **29/268,342**

(22) **Filed:** **Nov. 3, 2006**

(51) **LOC (8) Cl.** **19-02**

(52) **U.S. Cl.** **D19/90**

(58) **Field of Classification Search** D6/407,
D6/475; D19/26, 27, 32, 77, 78, 75, 76,
D19/86, 90, 91, 92, 98, 99, 100, 65; D20/27,
D20/40, 43; 40/358, 375, 383, 661.05, 661.06,
40/661.07, 725, 749; 211/10, 11, 32, 33,
211/38, 40, 42, 45, 50, 55; 229/67.1, 67.2,
229/67.3, 67.4, 185; 312/334.28, 334.41,
312/334.42

See application file for complete search history.

(56) **References Cited**

U.S. PATENT DOCUMENTS

| | | | | |
|-----------|-----|---------|--------------|----------|
| 339,173 | A * | 4/1886 | Heaton | 40/506 |
| 991,348 | A * | 5/1911 | Mulloy | 40/383 |
| 1,119,431 | A * | 12/1914 | Jones | 312/9.56 |
| 1,274,191 | A * | 7/1918 | Nixon et al. | 312/9.56 |
| 1,993,417 | A * | 3/1935 | Smith | 206/752 |
| 2,332,193 | A * | 10/1943 | Beder | 312/9.56 |
| 2,449,911 | A * | 9/1948 | Roth | 40/539 |
| 2,617,699 | A * | 11/1952 | Sullivan | 312/9.56 |
| 2,624,646 | A * | 1/1953 | Sukoff | 312/9.55 |
| 2,760,839 | A * | 8/1956 | Martin | 312/9.38 |
| 3,052,507 | A * | 9/1962 | Wallach | 312/9.56 |
| 3,245,736 | A * | 4/1966 | Douthit | 312/9.53 |
| 3,275,158 | A * | 9/1966 | Glass et al. | 211/40 |

| | | | | |
|-----------|------|---------|------------------|------------|
| 3,282,268 | A * | 11/1966 | Jacobs | 40/383 |
| 3,623,615 | A * | 11/1971 | Kawachi | 211/40 |
| 3,853,364 | A * | 12/1974 | Lundberg | 312/184 |
| 5,238,112 | A * | 8/1993 | Massey et al. | 206/387.15 |
| D350,566 | S * | 9/1994 | Pearson | D20/40 |
| D357,704 | S * | 4/1995 | Wolff | D19/90 |
| 5,456,369 | A * | 10/1995 | Smed | 211/42 |
| 5,537,767 | A * | 7/1996 | Schneider et al. | 40/611.01 |
| 5,725,092 | A * | 3/1998 | Spears | 206/307.1 |
| D409,246 | S * | 5/1999 | Fereday et al. | D19/96 |
| 6,070,349 | A * | 6/2000 | Fantone et al. | 40/454 |
| D445,837 | S * | 7/2001 | Waterhouse | D20/40 |
| 6,267,413 | B1 * | 7/2001 | Tran | 281/29 |
| D501,889 | S * | 2/2005 | Harris et al. | D20/39 |
| D529,099 | S * | 9/2006 | Smitshuijzen | D20/43 |

* cited by examiner

Primary Examiner—Elizabeth A. Albert
Assistant Examiner—Karen E Eldridge Powers
(74) *Attorney, Agent, or Firm*—Schwartz Law Firm P.C.

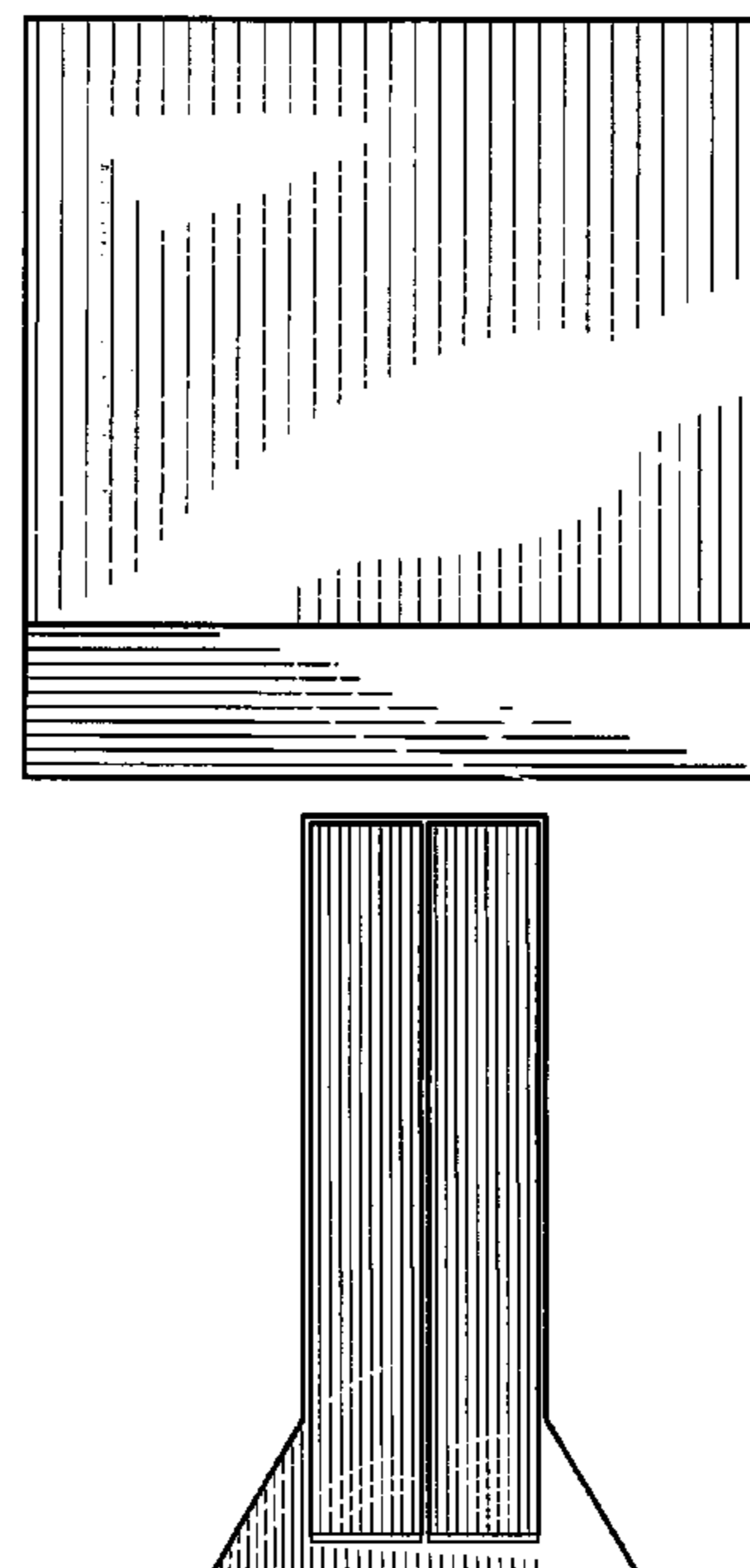
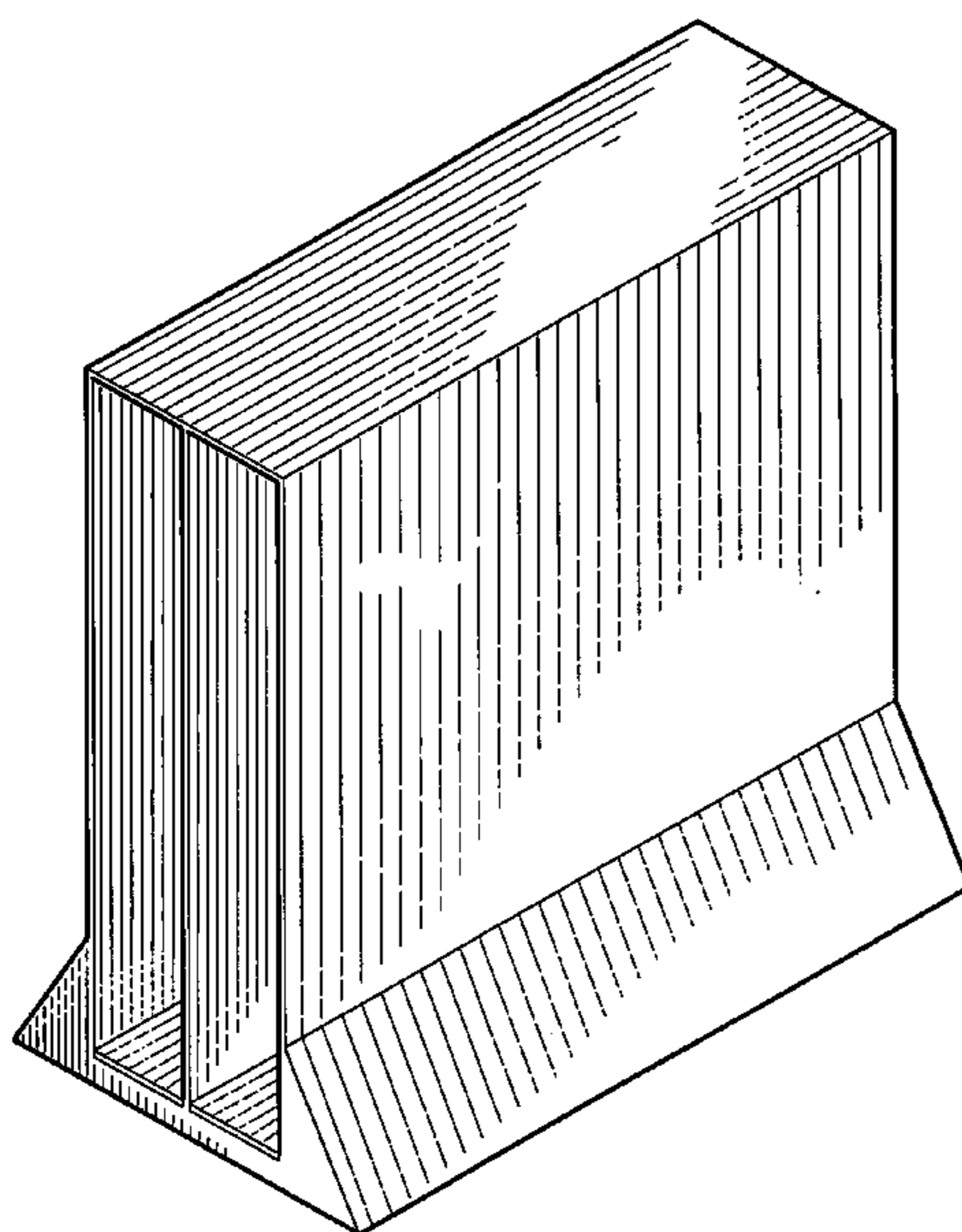
(57) **CLAIM**

I claim the ornamental design for a album stand, as shown.

DESCRIPTION

FIG. 1 is a front perspective view of the album stand;
FIG. 2 is a rear perspective view thereof;
FIG. 3 is a top view thereof;
FIG. 4 is a side view thereof, the opposite side being a mirror image thereof;
FIG. 5 is a bottom view thereof;
FIG. 6 is a front view thereof; and,
FIG. 7 is a rear view thereof.

1 Claim, 4 Drawing Sheets



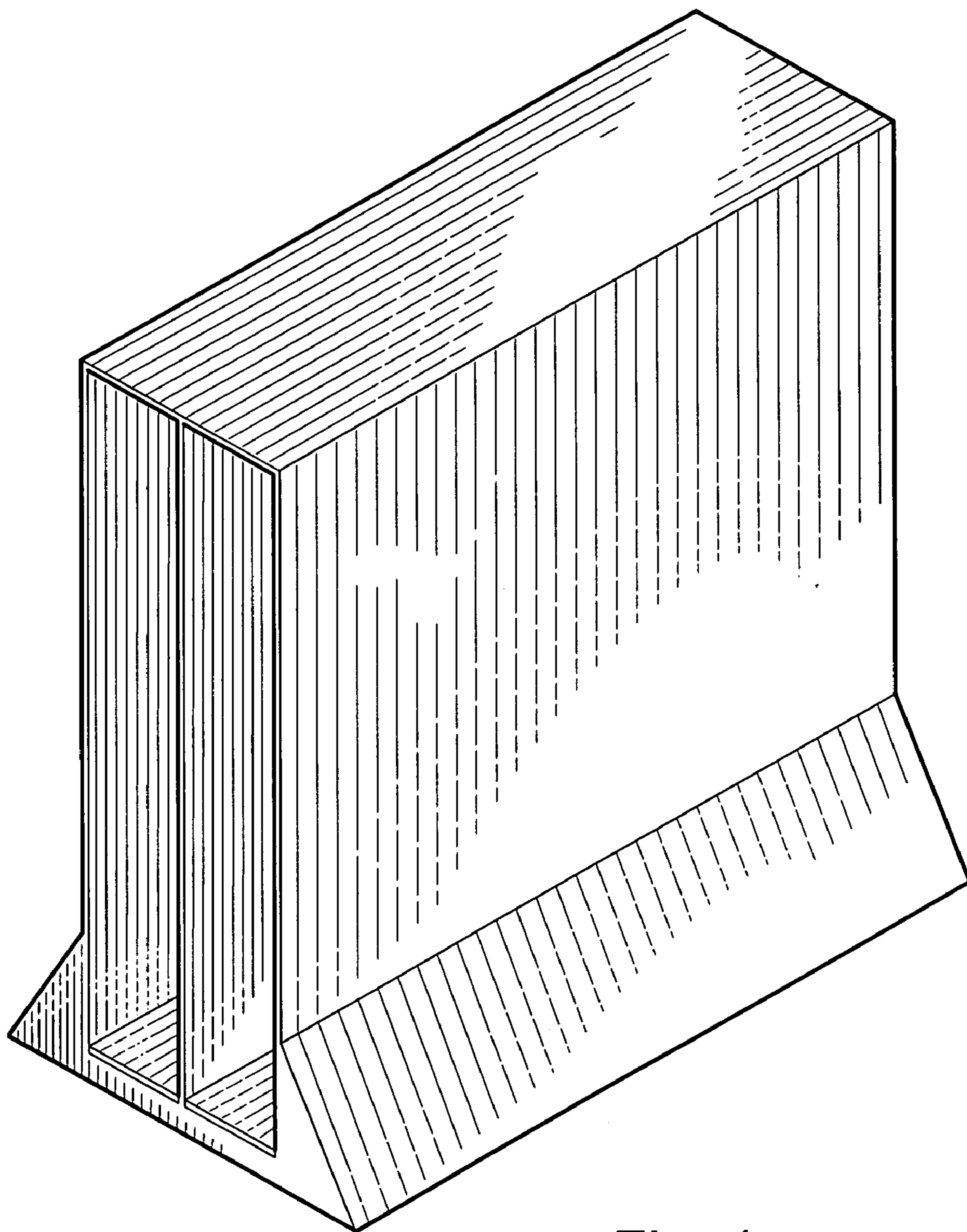


Fig. 1

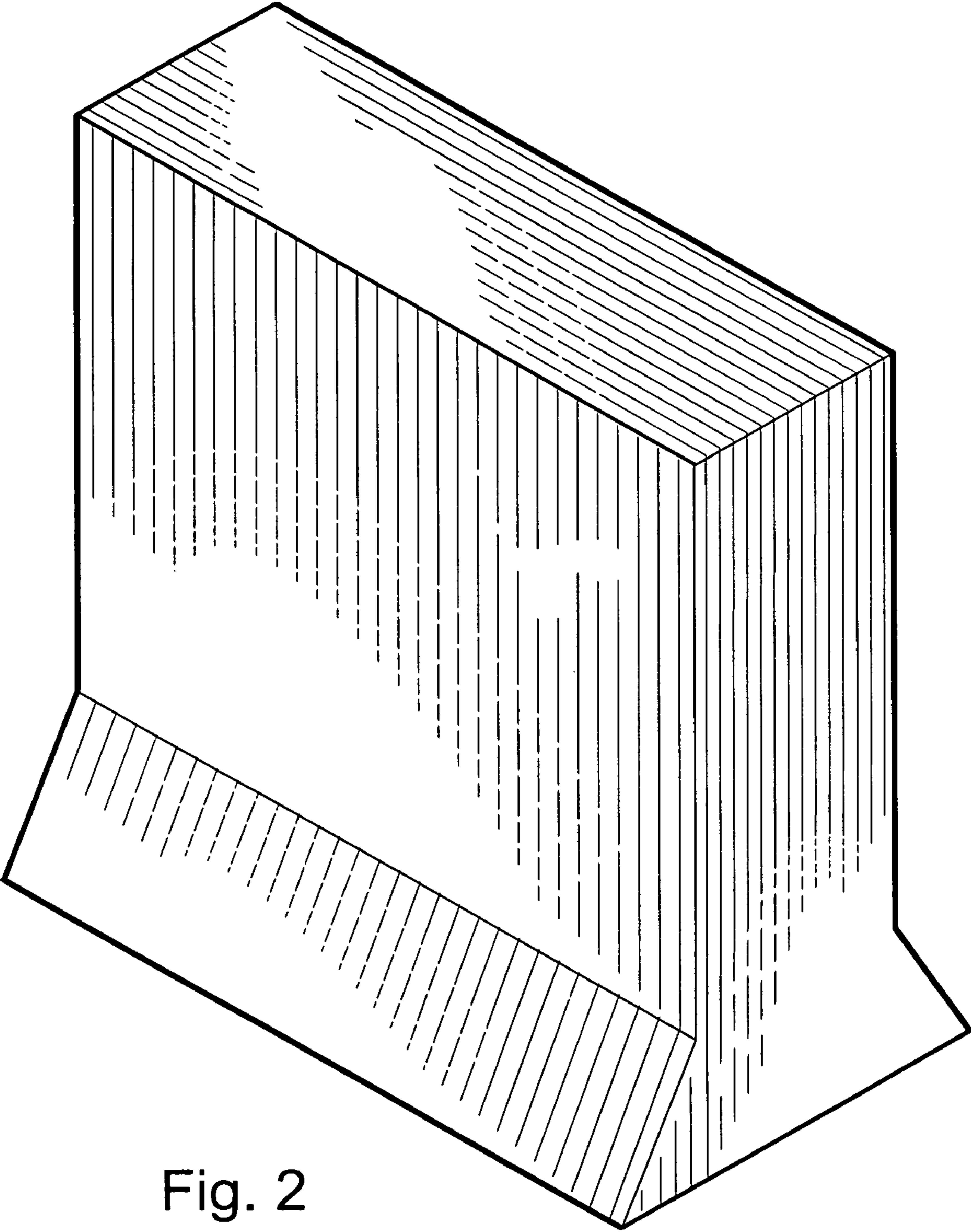


Fig. 2

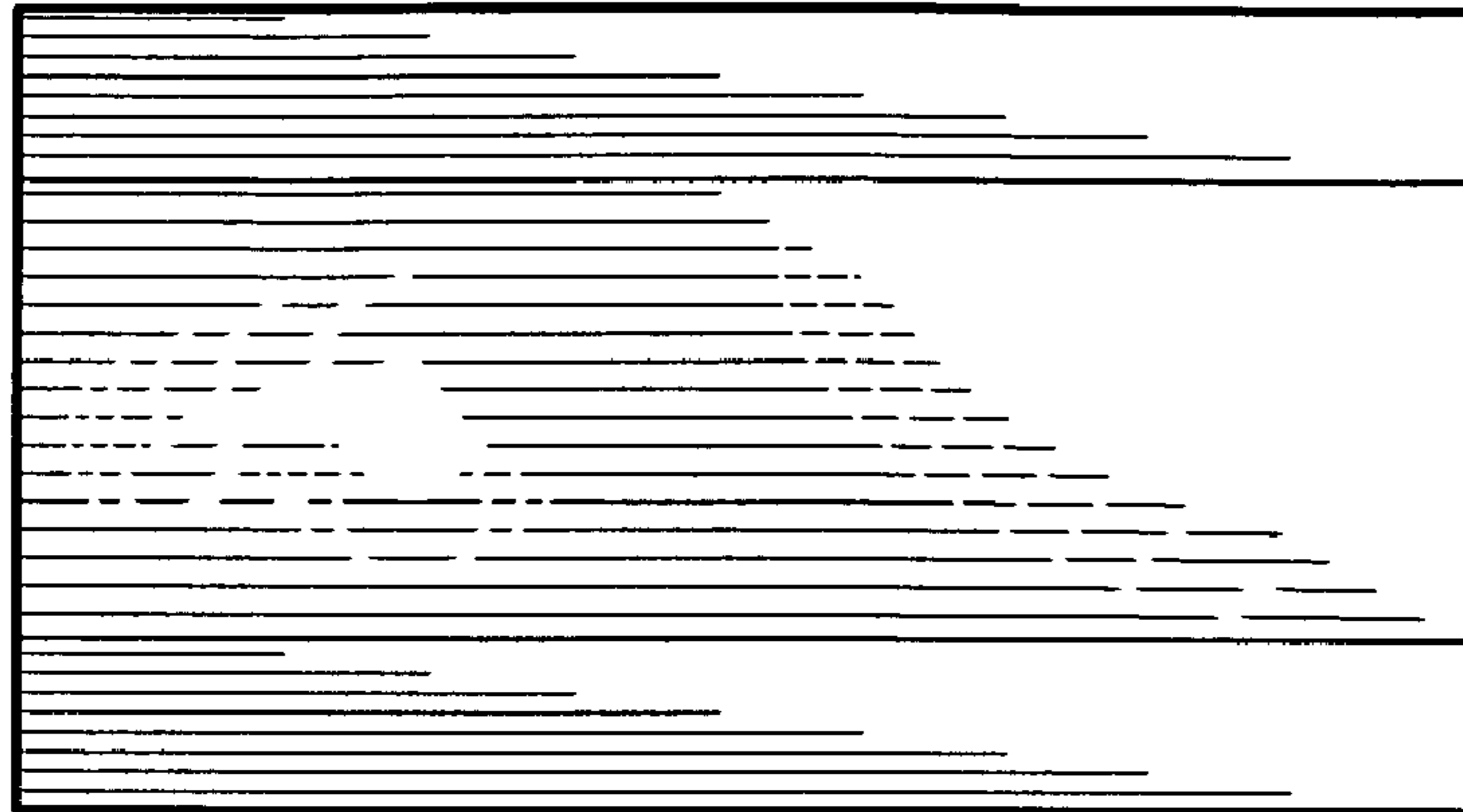


Fig.3

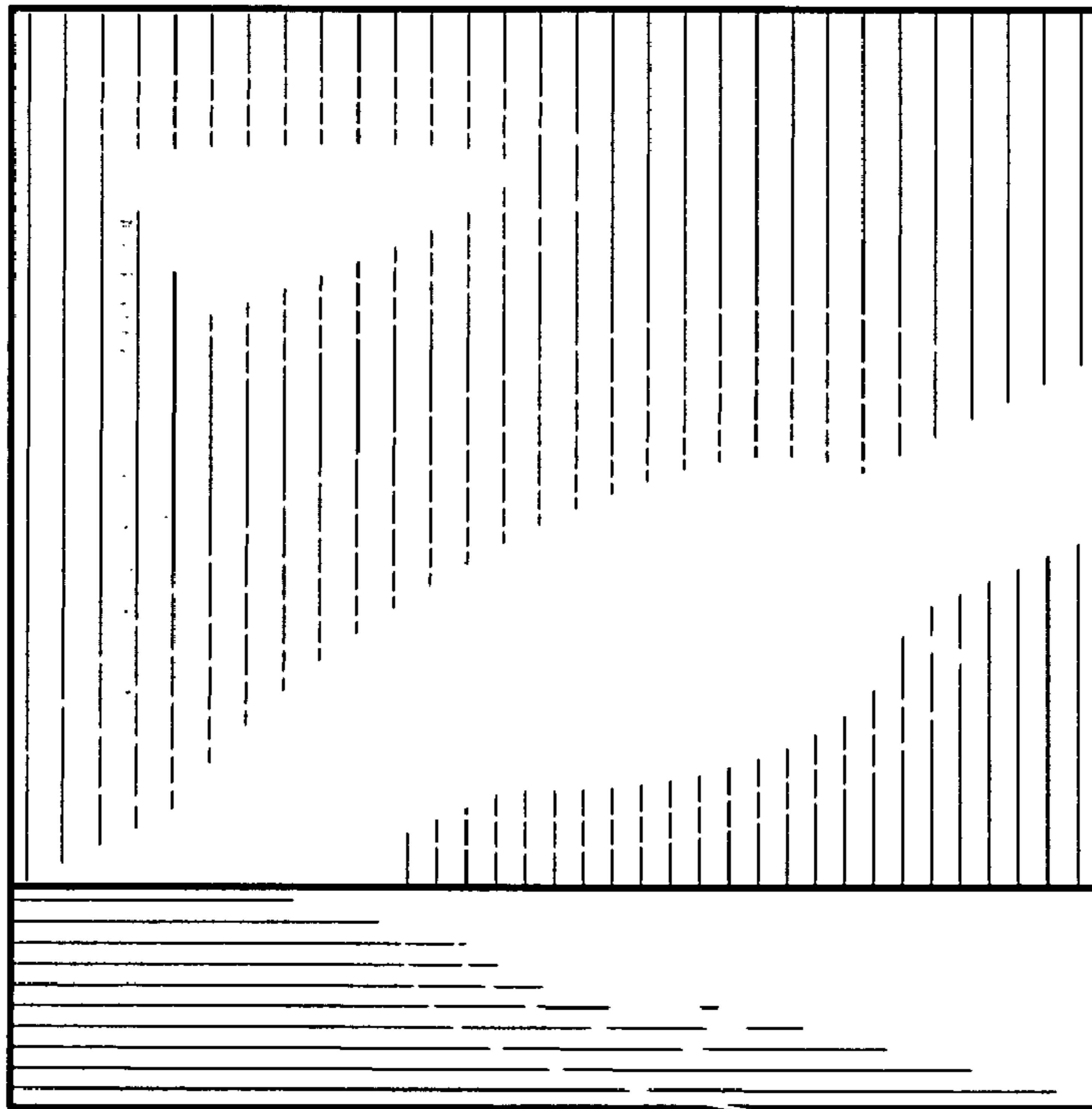


Fig.4

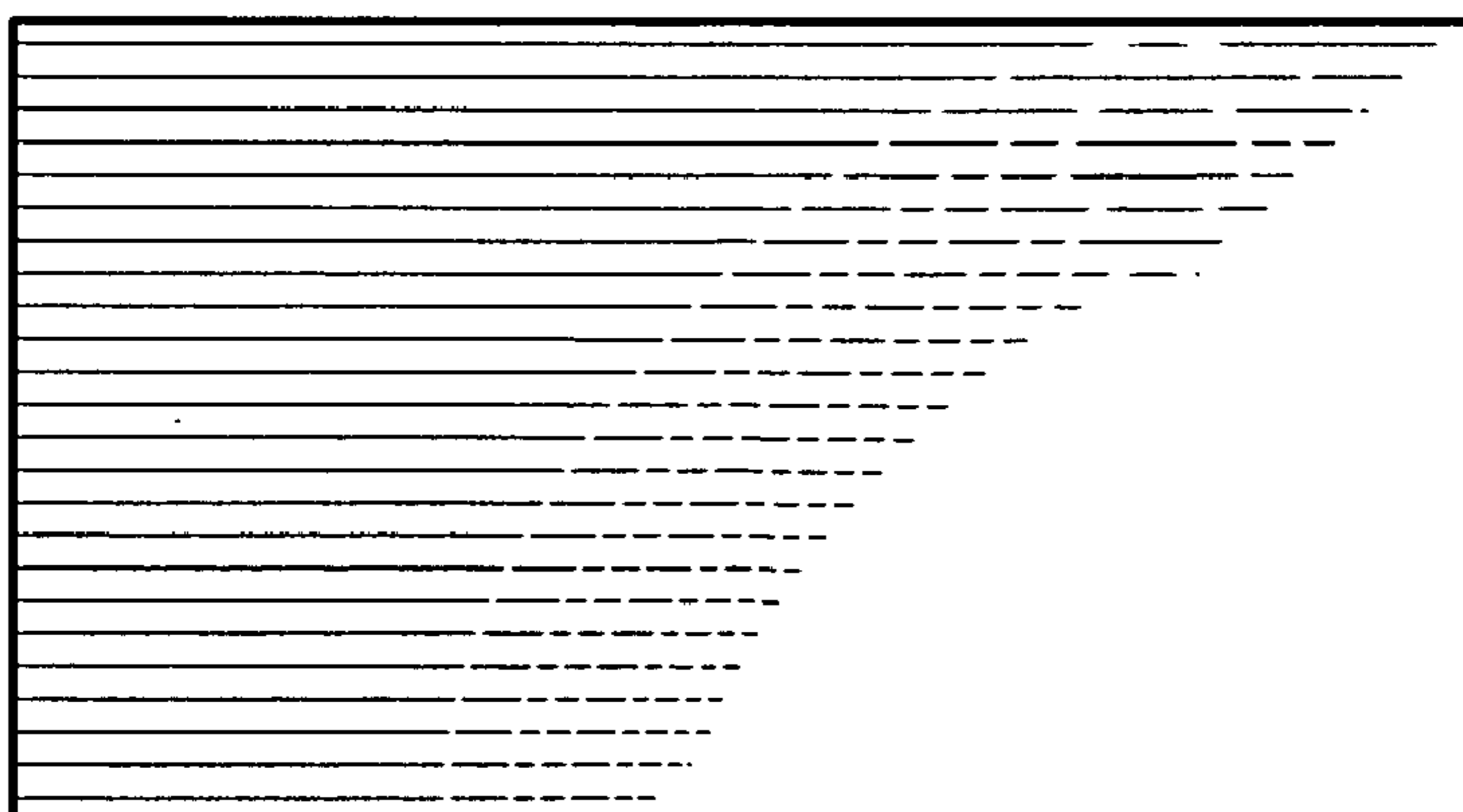


Fig.5

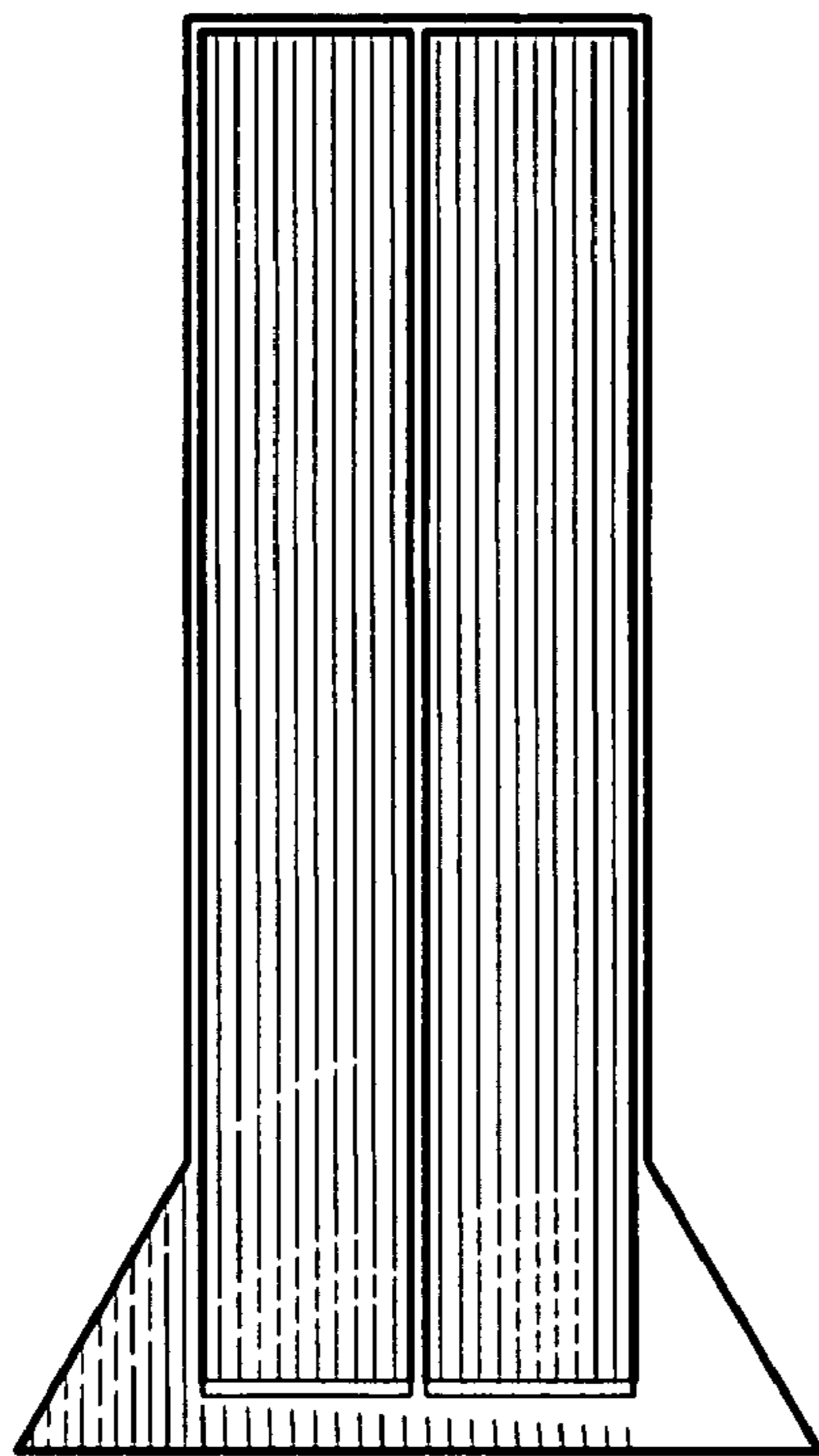


Fig.6

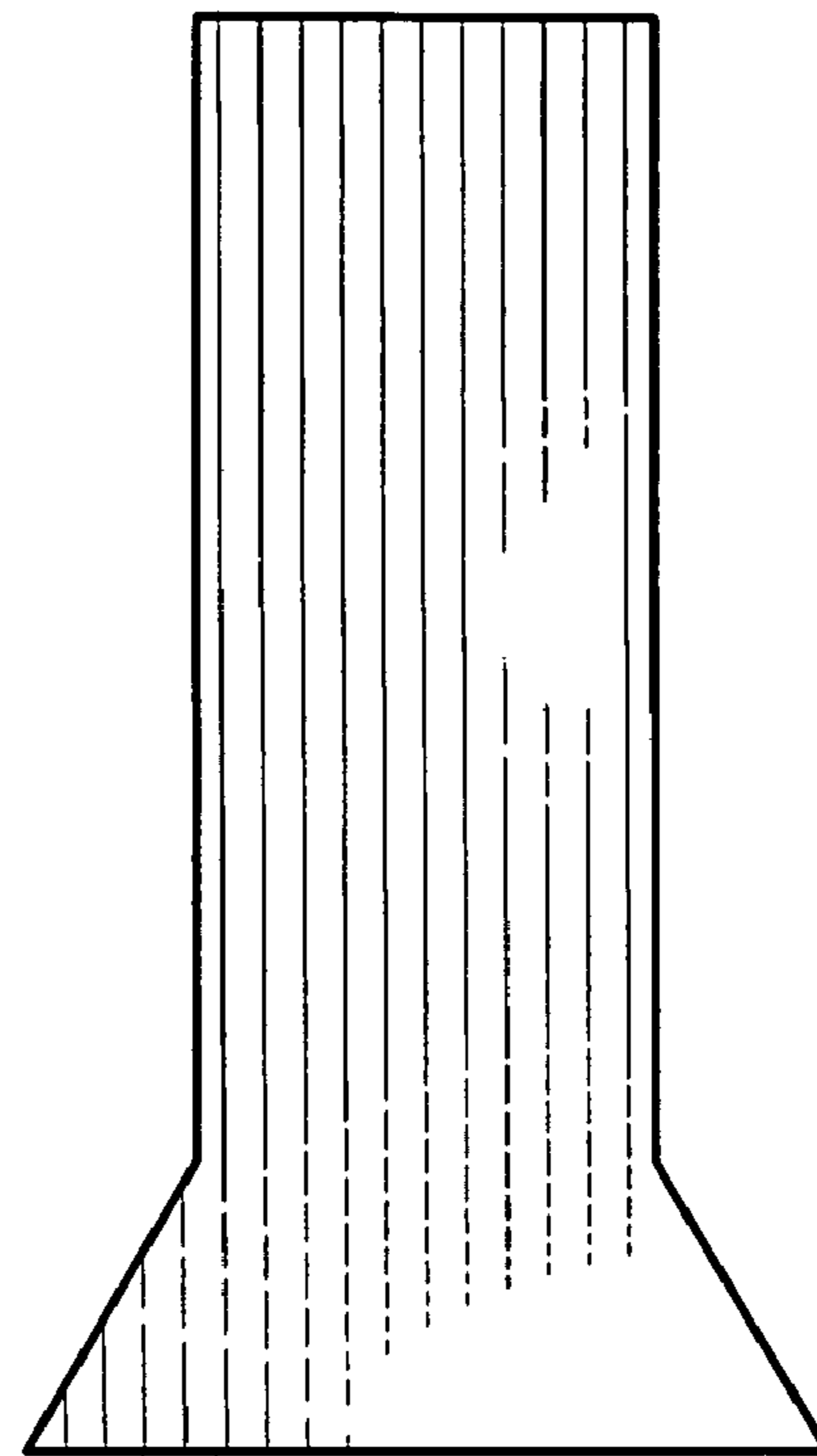


Fig.7