

US00D568401S

(12) **United States Design Patent**
Chen et al.

(10) **Patent No.: US D568,401 S**

(45) **Date of Patent: ** May 6, 2008**

(54) **PAPER PUNCH**

OTHER PUBLICATIONS

(75) Inventors: **Peter Chen**, West Windsor, NJ (US);
Jungkun Lee, Edison, NJ (US); **Kevin Hui-Lien Lee**, East Brunswick, NJ (US)

Picture of 3-Hole Punch, w/Chip Drawer, Heavy-Duty, 45 Sh. Cap., Silver, as shown on www.greenlightoffice.com, viewed Apr. 9, 2007 (1 page).*

* cited by examiner

(73) Assignee: **Officemate International Corp.**, Edison, NJ (US)

Primary Examiner—Elizabeth A. Albert
Assistant Examiner—Karen E Eldridge Powers
(74) *Attorney, Agent, or Firm*—Daniel Kirshner

(**) Term: **14 Years**

(57) **CLAIM**

(21) Appl. No.: **29/267,600**

The ornamental design for a paper punch, as shown and described.

(22) Filed: **Oct. 18, 2006**

(51) **LOC (8) Cl.** **19-02**

DESCRIPTION

(52) **U.S. Cl.** **D19/72**

(58) **Field of Classification Search** D8/49–51,
D8/98, 105; D19/65, 73, 95, 99; 83/167,
83/465, 467, 550, 558, 560, 618, 627, 633
See application file for complete search history.

FIG. 1 is a front perspective view of a paper punch showing the new design;

FIG. 2 is a front elevational view thereof;

FIG. 3 is a rear elevational view thereof;

FIG. 4 is right side elevational view thereof;

FIG. 5 is a left side elevational view thereof;

FIG. 6 is a top view thereof;

FIG. 7 is a bottom view thereof; and,

FIG. 8 is a front perspective view thereof in an exploded condition.

The shading shown on the feet is intended to represent texture.

The broken lines indicate shading.

(56) **References Cited**

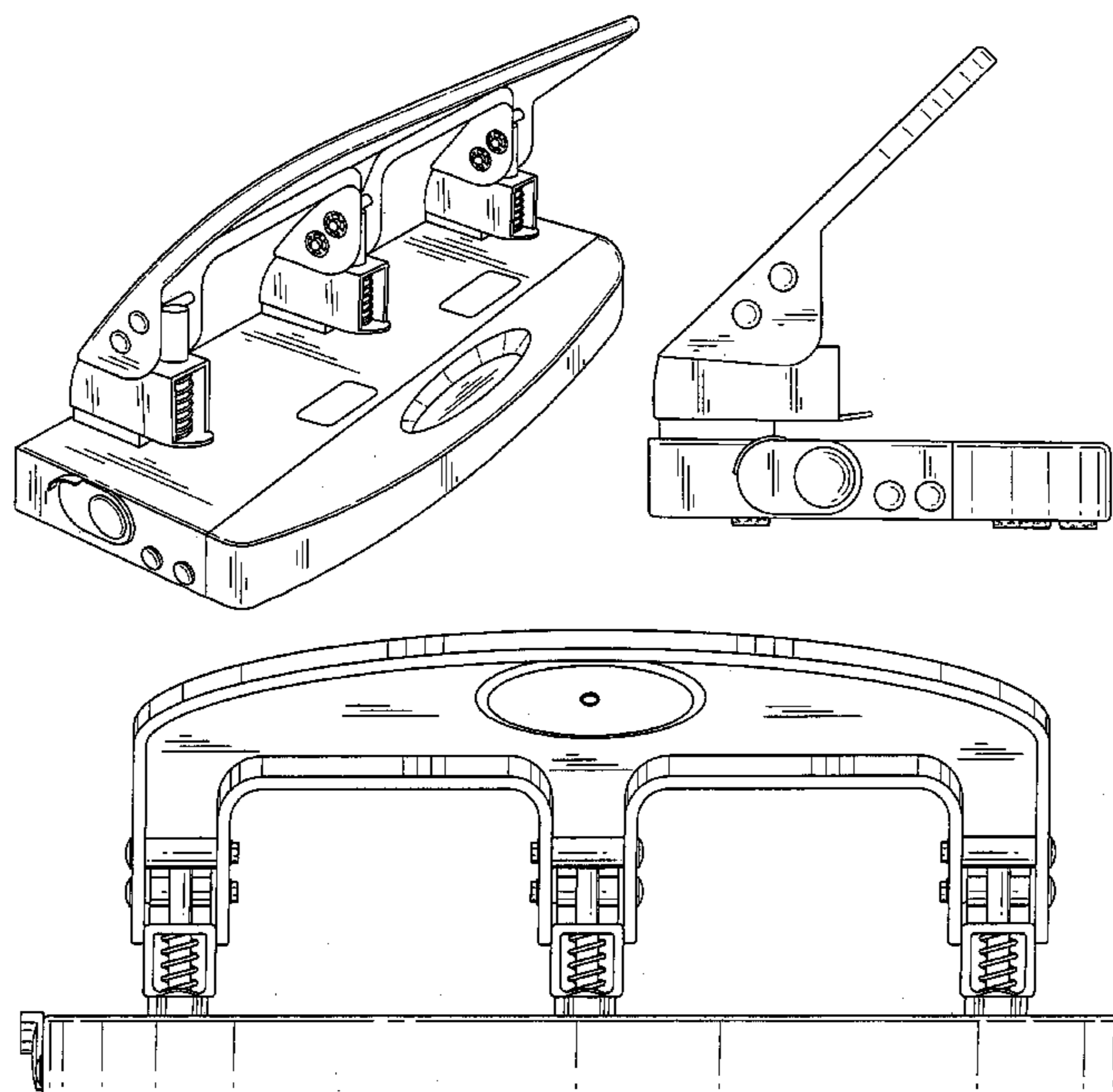
U.S. PATENT DOCUMENTS

- 4,449,436 A * 5/1984 Semerjian et al. 83/571
- 4,688,457 A * 8/1987 Neilsen et al. 83/468
- 4,713,995 A * 12/1987 Davi 83/167
- D306,460 S * 3/1990 Mori D19/72
- D358,845 S * 5/1995 Mori D19/72
- D361,786 S * 8/1995 Yang D19/72
- D386,528 S * 11/1997 Mori D19/72
- 2006/0278056 A1 * 12/2006 Chen et al. 83/586

FOREIGN PATENT DOCUMENTS

GB 3001111 * 1/2002

1 Claim, 8 Drawing Sheets



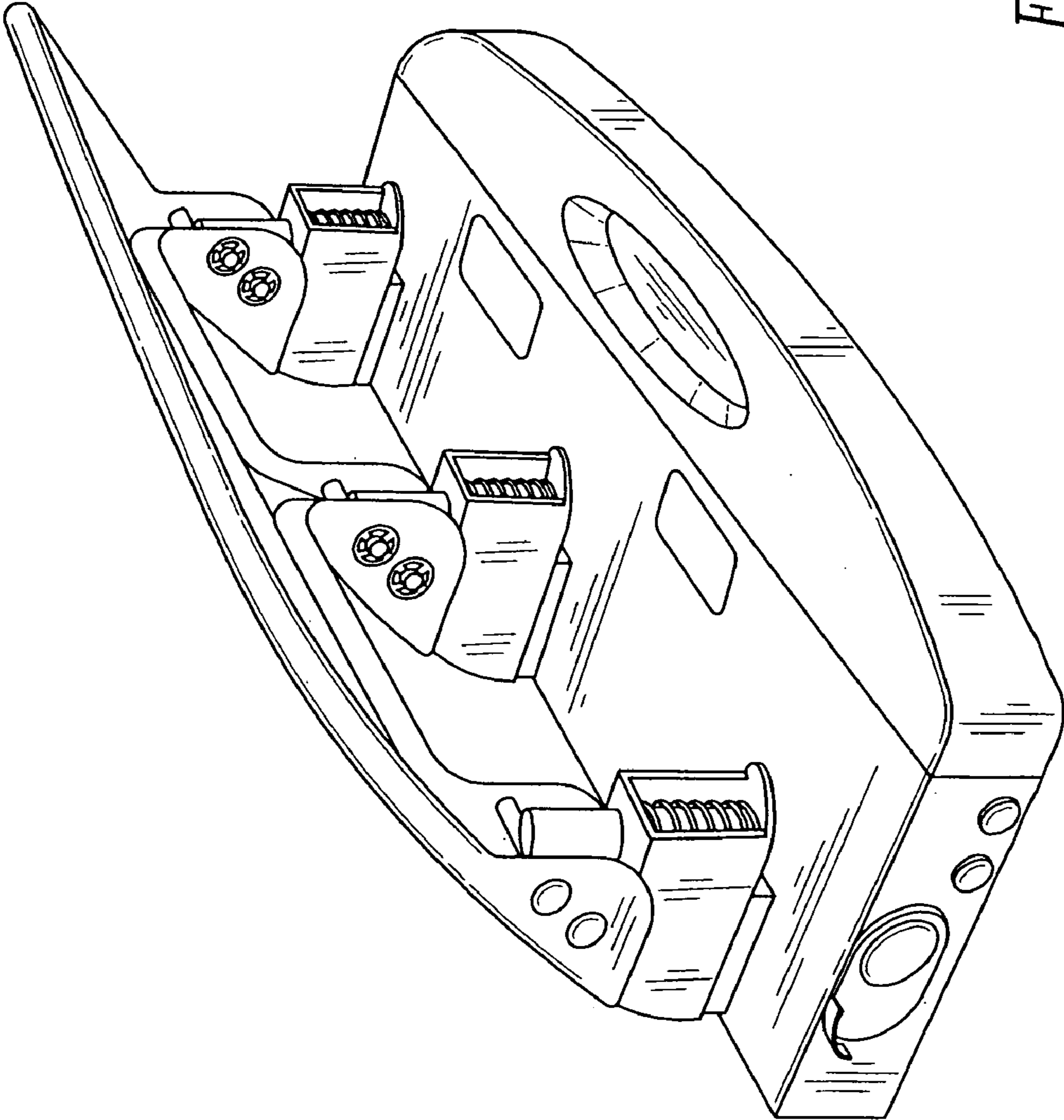


FIG. 1

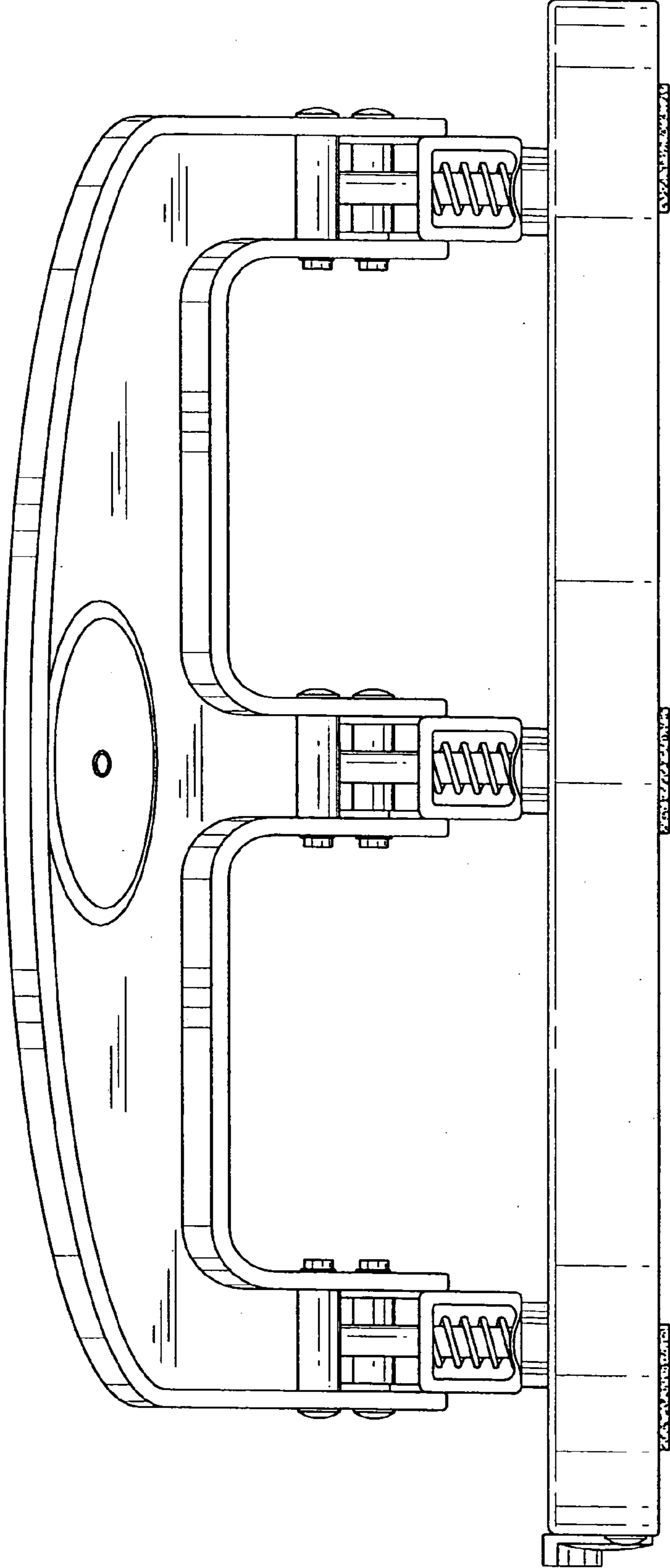


FIG. 2

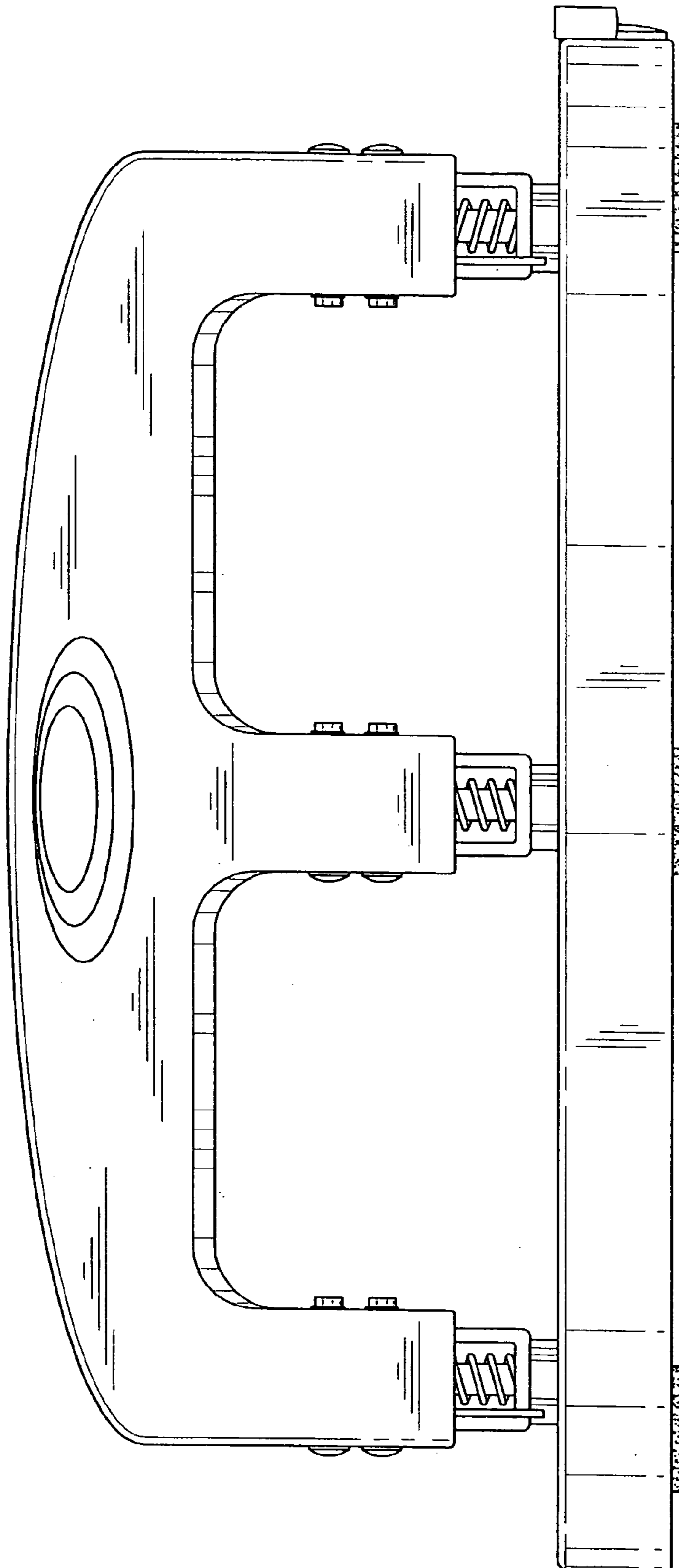


FIG. 3

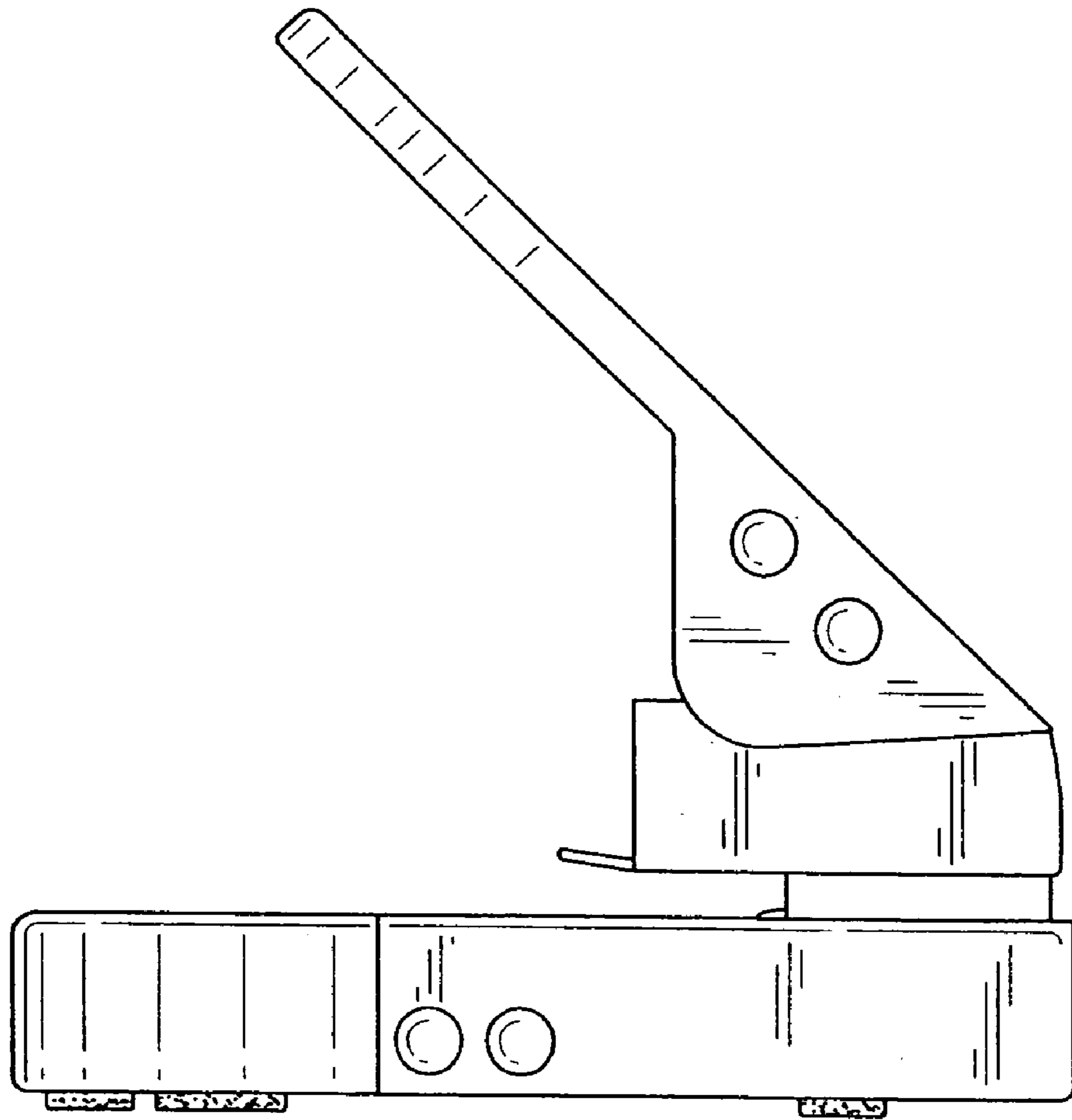


FIG. 4

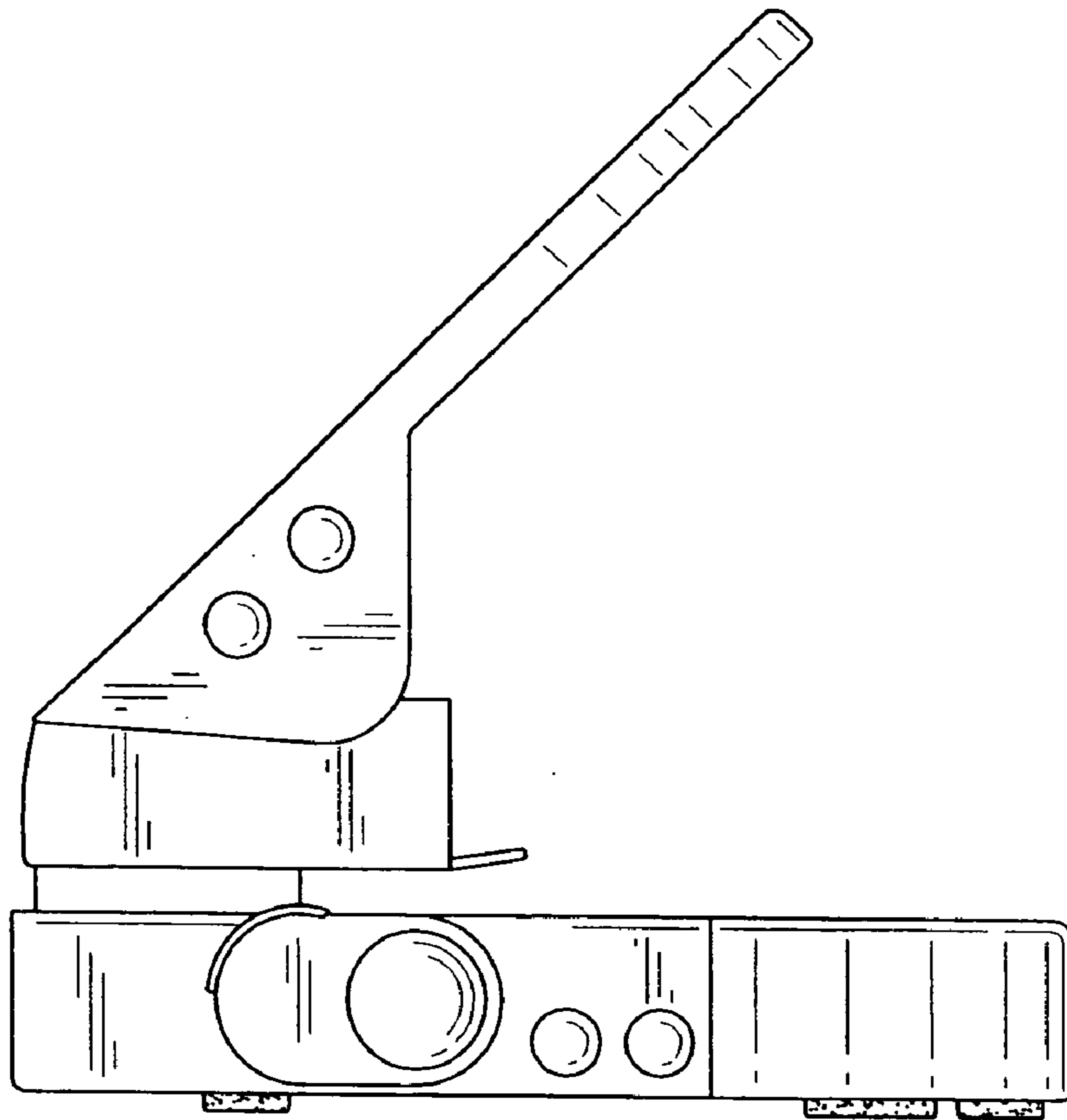


FIG. 5

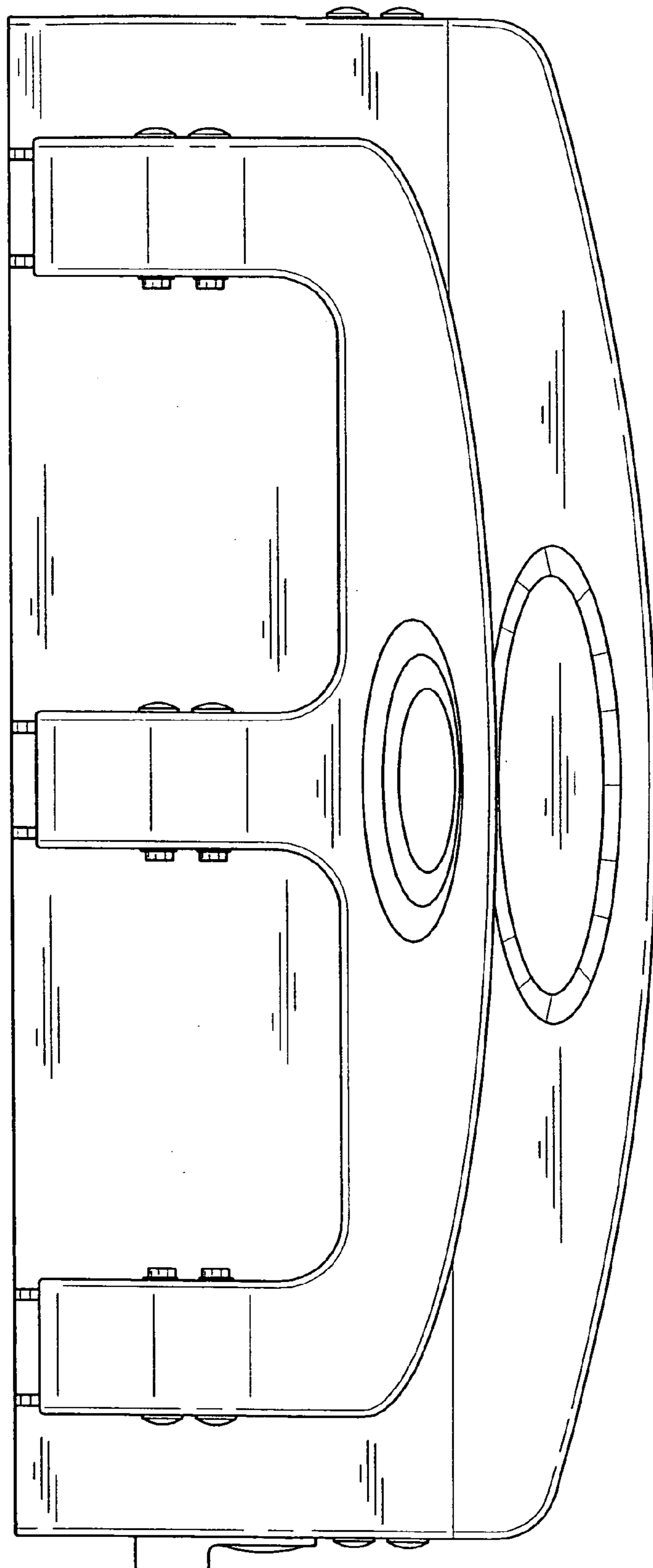


FIG. 6

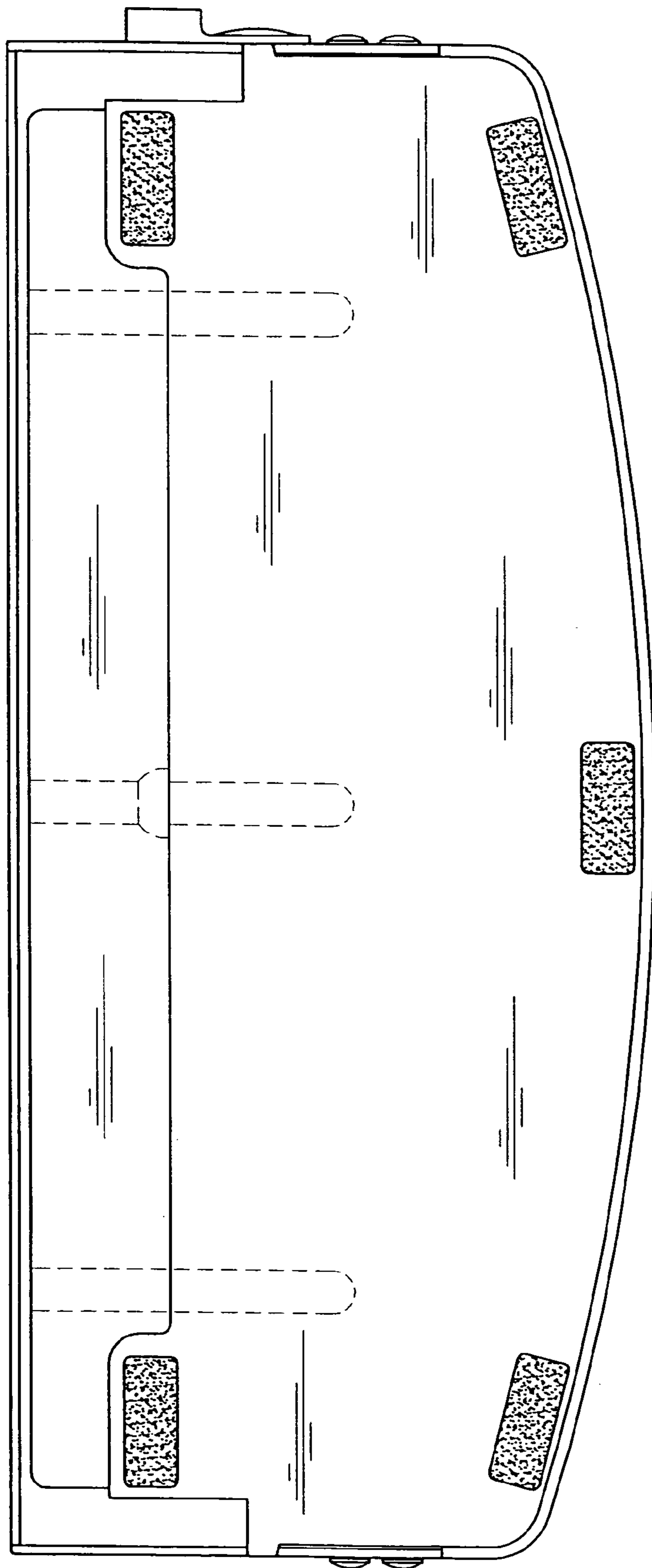


FIG. 7

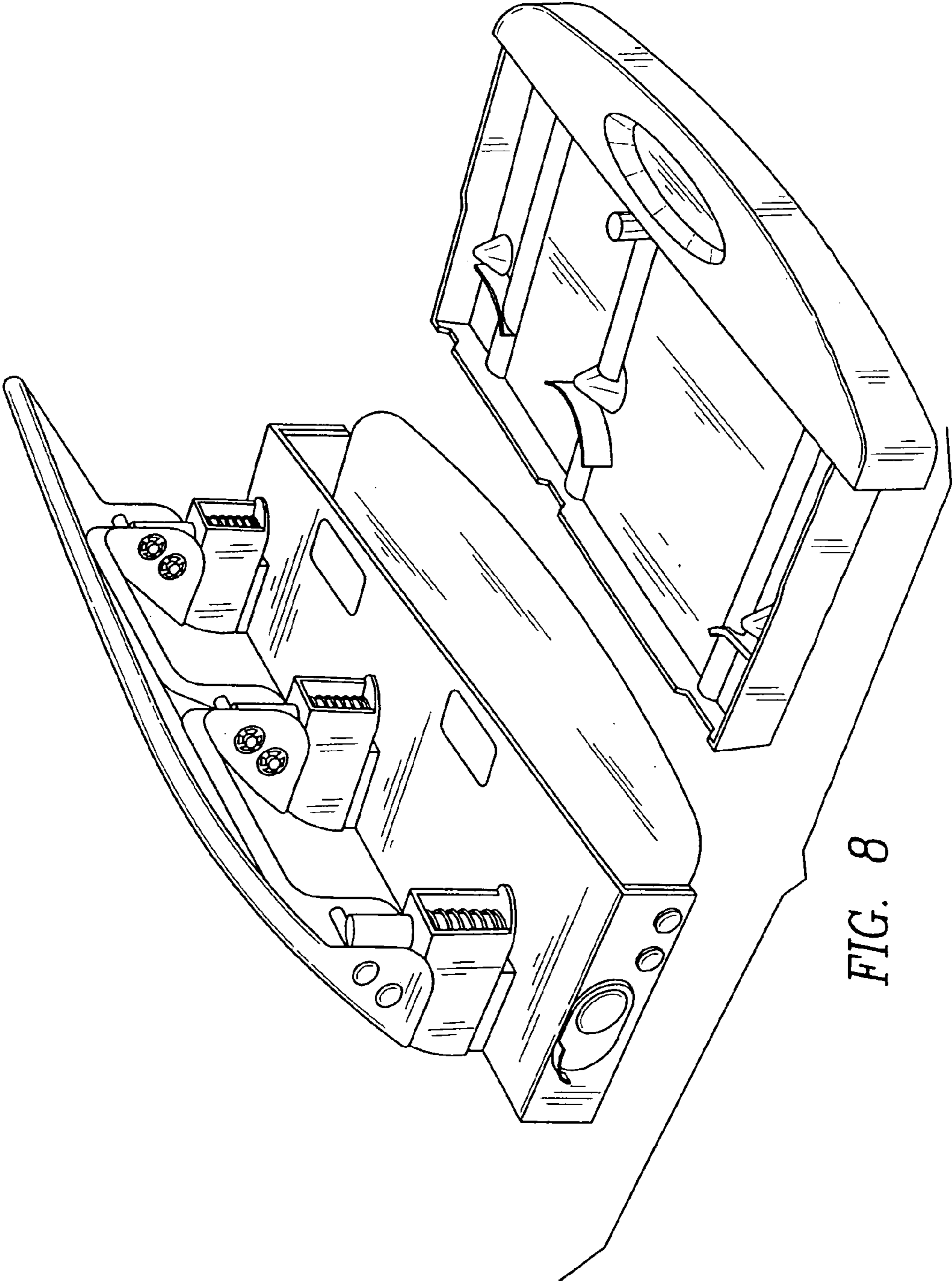


FIG. 8