



US00D568400S

(12) **United States Design Patent** (10) **Patent No.:** **US D568,400 S**
Packard et al. (45) **Date of Patent:** **** May 6, 2008**

(54) **TAPE DISPENSER**

(75) Inventors: **Joy A. Packard**, Hudson, WI (US);
Joel K. Hagglund, Oakdale, MN (US);
Gary A. Albrecht, Mahtomedi, MN
(US)

(73) Assignee: **3M Innovative Properties Company**,
St. Paul, MN (US)

(**) Term: **14 Years**

(21) Appl. No.: **29/279,824**

(22) Filed: **May 8, 2007**

(51) **LOC (8) Cl.** **08-02**

(52) **U.S. Cl.** **D19/69**

(58) **Field of Classification Search** D19/36,
D19/70, 69, 68; D13/133, 146; 242/588.6,
242/588.3, 588.2; 225/77, 6, 56, 39, 26,
225/25, 19, 11; 206/411; 156/577, 527,
156/523

See application file for complete search history.

(56) **References Cited**

U.S. PATENT DOCUMENTS

D259,643	S	*	6/1981	Pearson	D19/69
4,627,560	A		12/1986	Samuelson		
4,961,525	A	*	10/1990	Corbo et al.	225/65
D326,474	S		5/1992	Luhman et al.		
D361,086	S	*	8/1995	Thompson et al.	D19/69
D362,684	S	*	9/1995	Samuelson et al.	D19/69
5,468,332	A		11/1995	Dretzka et al.		
5,641,377	A		6/1997	Chung et al.		
5,759,342	A		6/1998	Luhman et al.		
5,792,310	A		8/1998	Thompson et al.		
D423,054	S	*	4/2000	Harris	D19/69
D442,227	S	*	5/2001	Carlson et al.	D19/69

D448,413	S	*	9/2001	Carlson et al.	D19/69
D454,911	S		3/2002	Carlson et al.		
6,669,070	B2	*	12/2003	Huang	225/56
6,721,997	B2		4/2004	Hua		
D529,093	S	*	9/2006	Gullicks et al.	D19/69
D533,594	S	*	12/2006	Gullicks et al.	D19/69
D533,905	S	*	12/2006	Gullicks et al.	D19/69
D534,589	S	*	1/2007	Gullicks et al.	D19/69
2002/0056526	A1		5/2002	Kelders et al.		
2004/0244917	A1		12/2004	Wojtkun et al.		

* cited by examiner

Primary Examiner—Cathron C. Brooks

Assistant Examiner—Austin Murphy

(74) *Attorney, Agent, or Firm*—Trisha D. Adamson

(57) **CLAIM**

The ornamental design for a tape dispenser, as shown and described.

DESCRIPTION

FIG. 1 is a perspective view of a tape dispenser;

FIG. 2 is a left side view thereof, the right side view being a mirror image of the left side view;

FIG. 3 is a front view thereof;

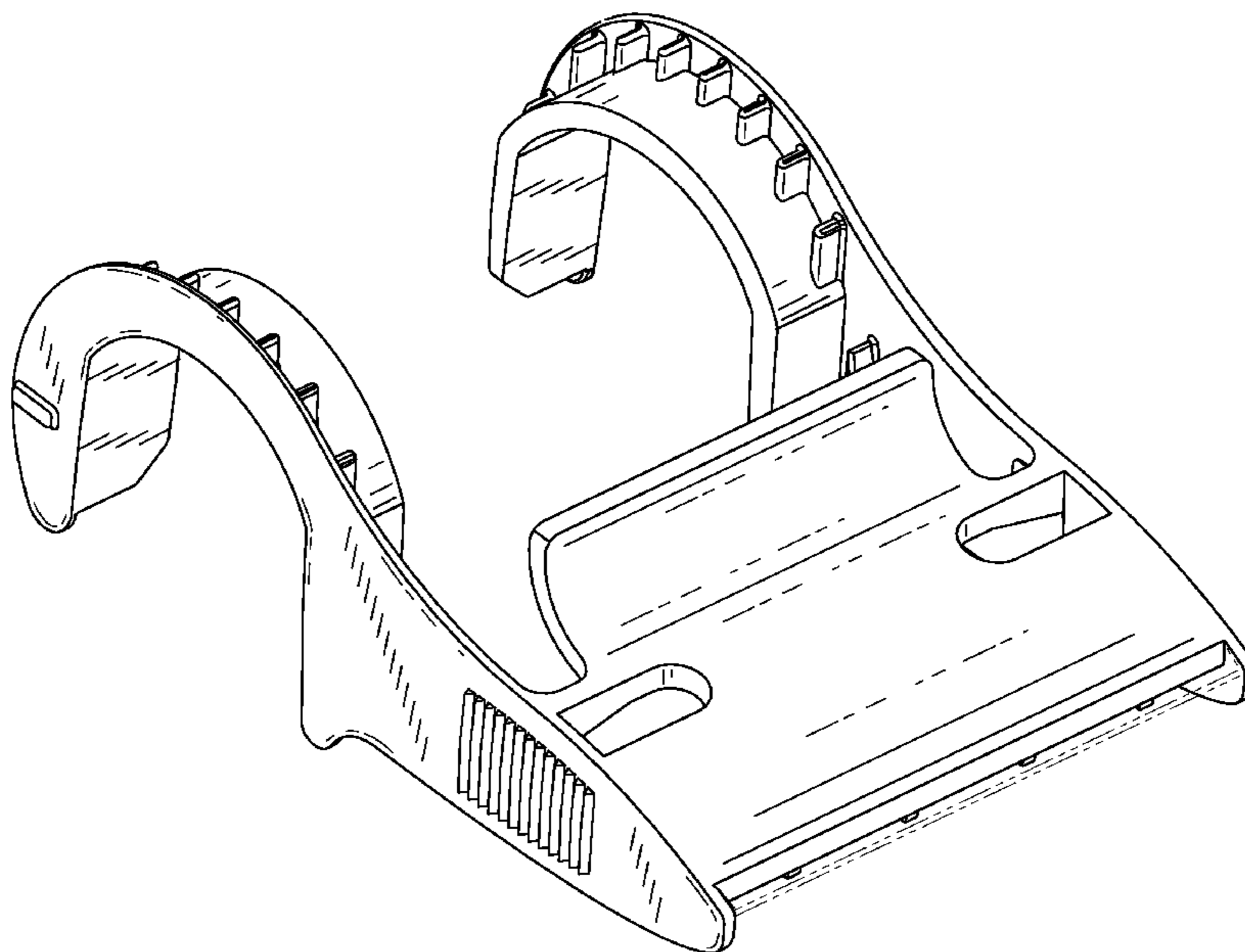
FIG. 4 is a rear view thereof;

FIG. 5 is a top view thereof; and,

FIG. 6 is a bottom view thereof.

The broken lines in the drawings are shown for illustrative purposes only and form no part of the claimed design. In addition, the surface shading illustrated in the drawings is provided merely to highlight the contour of design; it is not intended to be illustrative of texture or gloss.

1 Claim, 5 Drawing Sheets



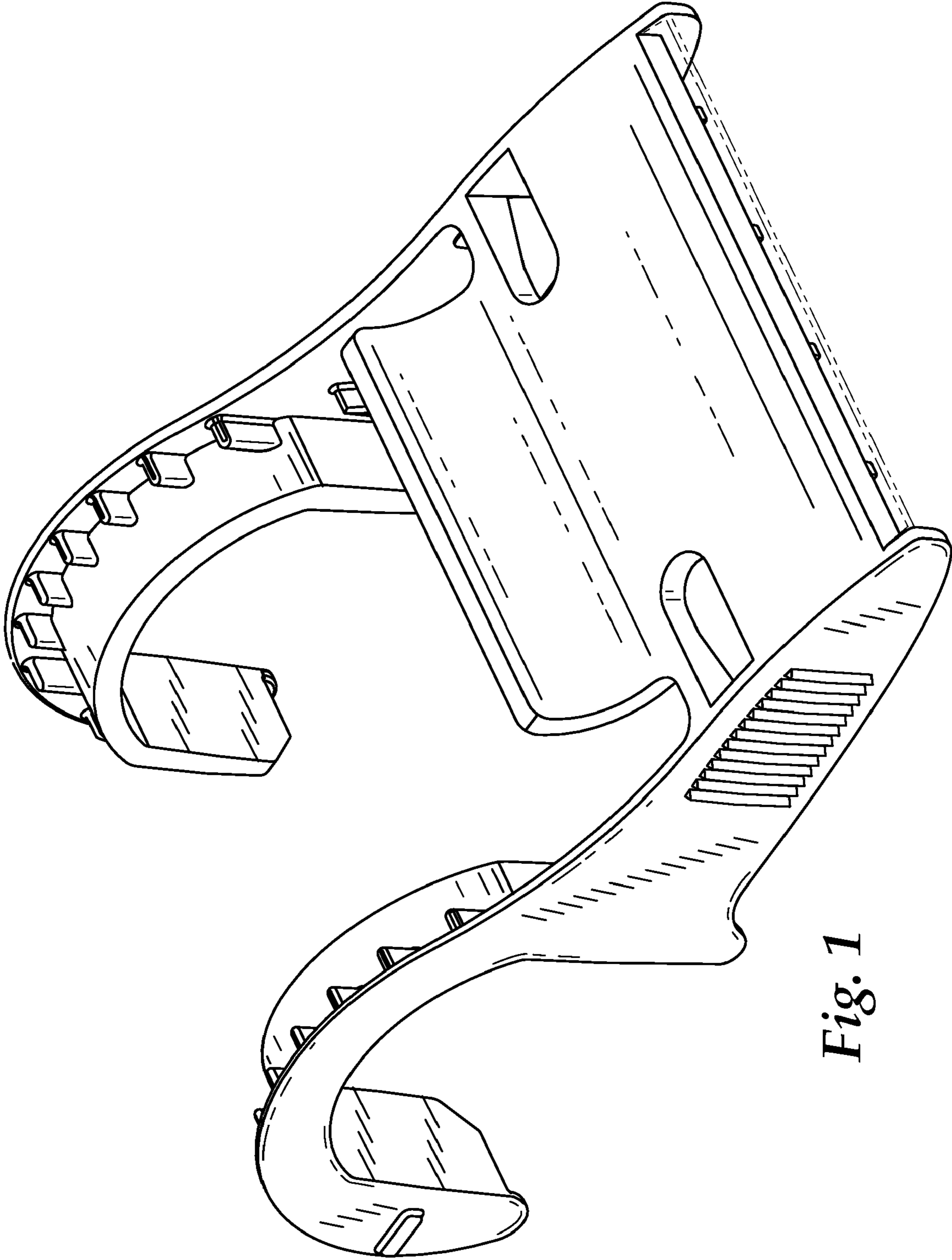


Fig. 1

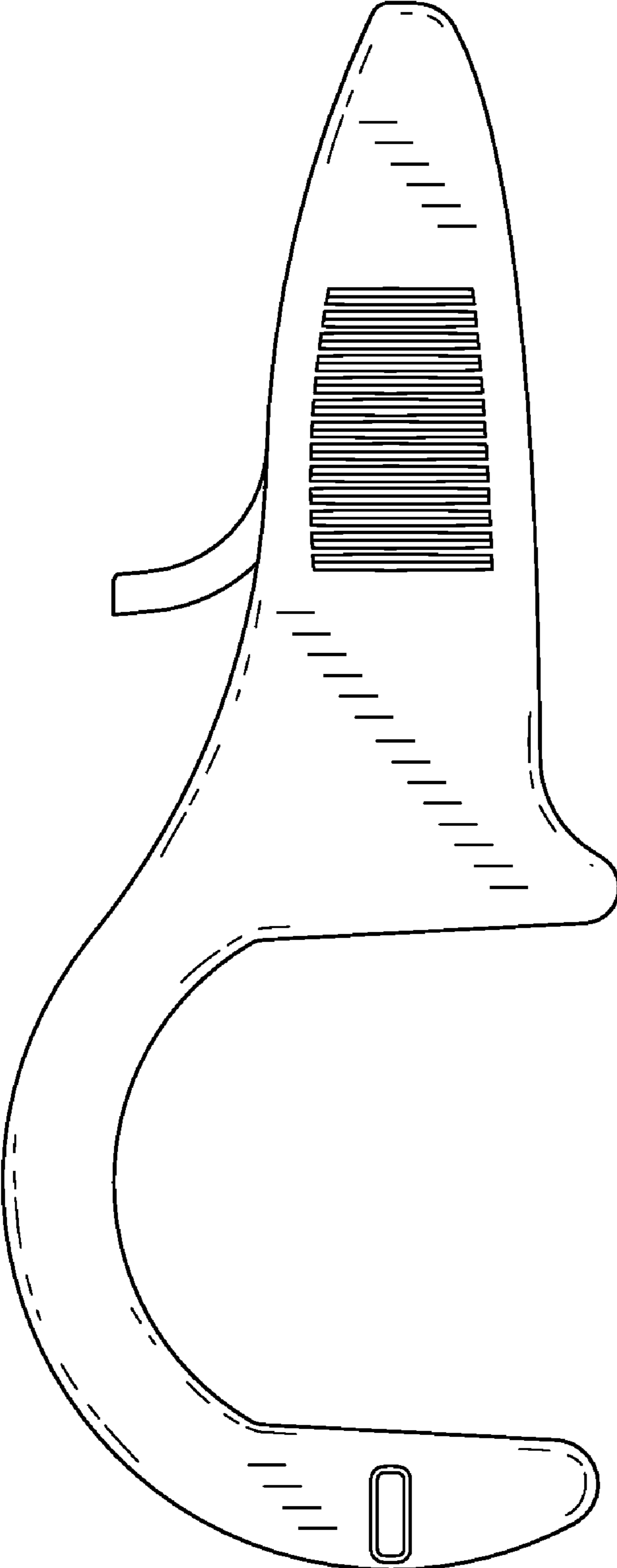


Fig. 2

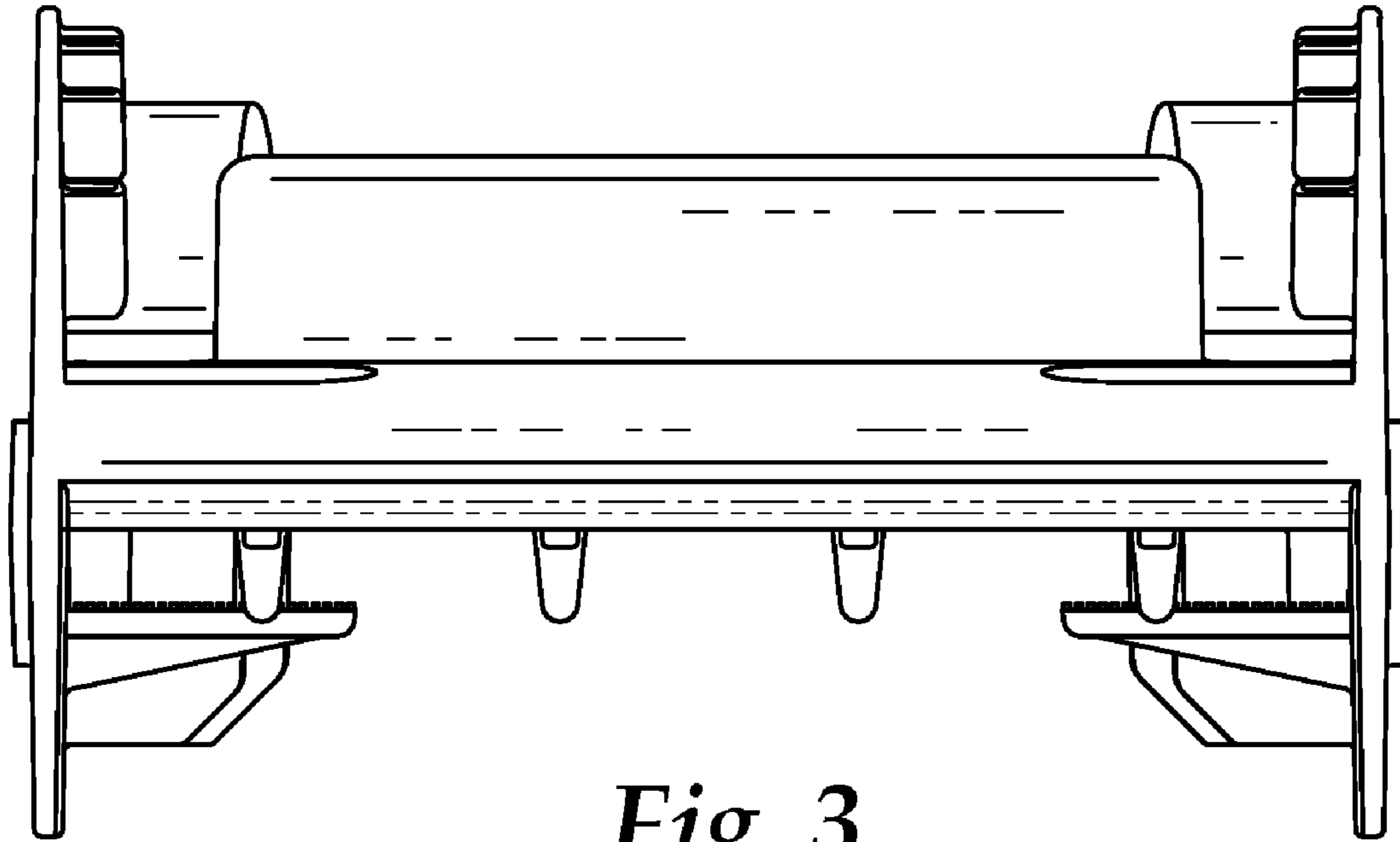


Fig. 3

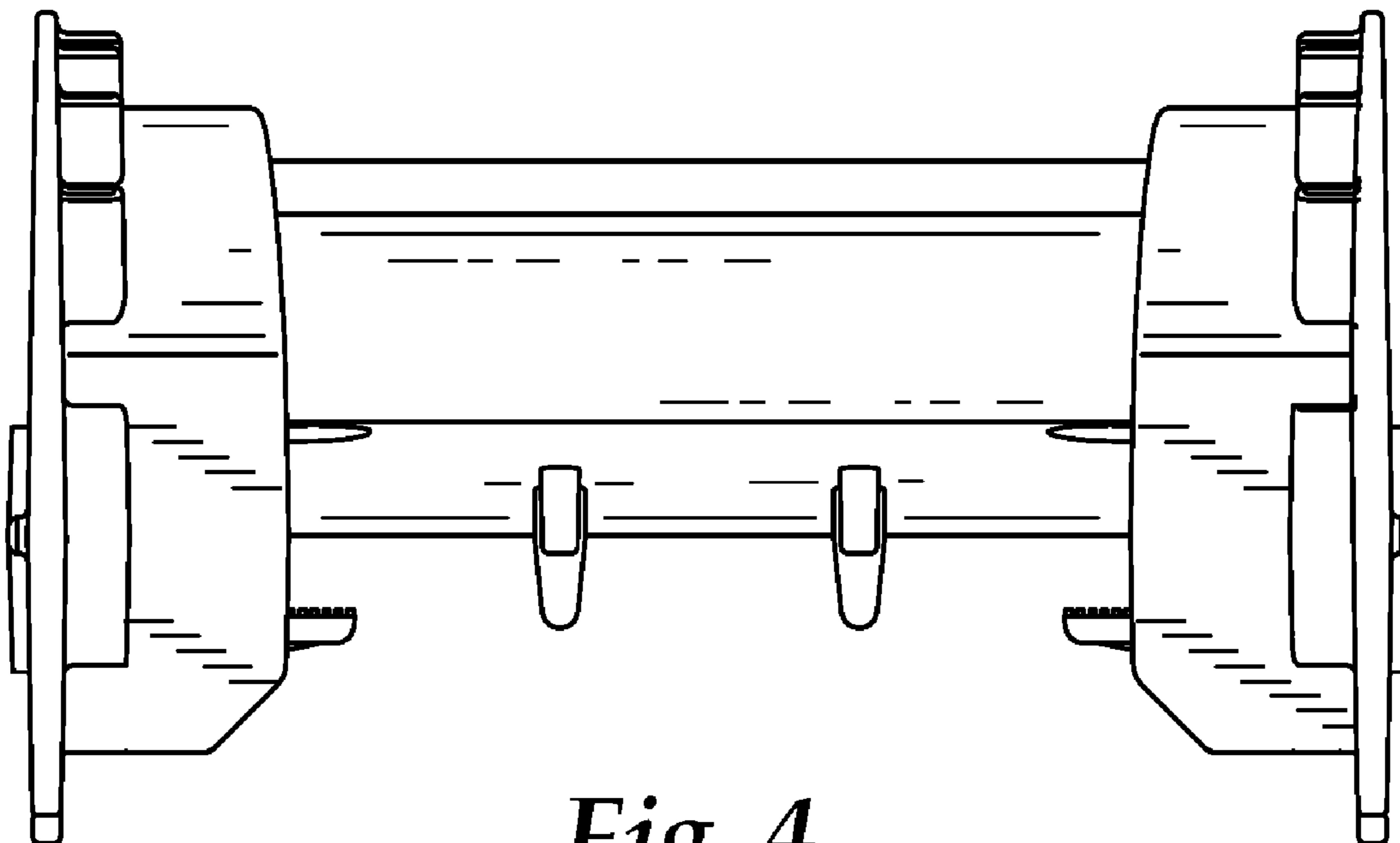


Fig. 4

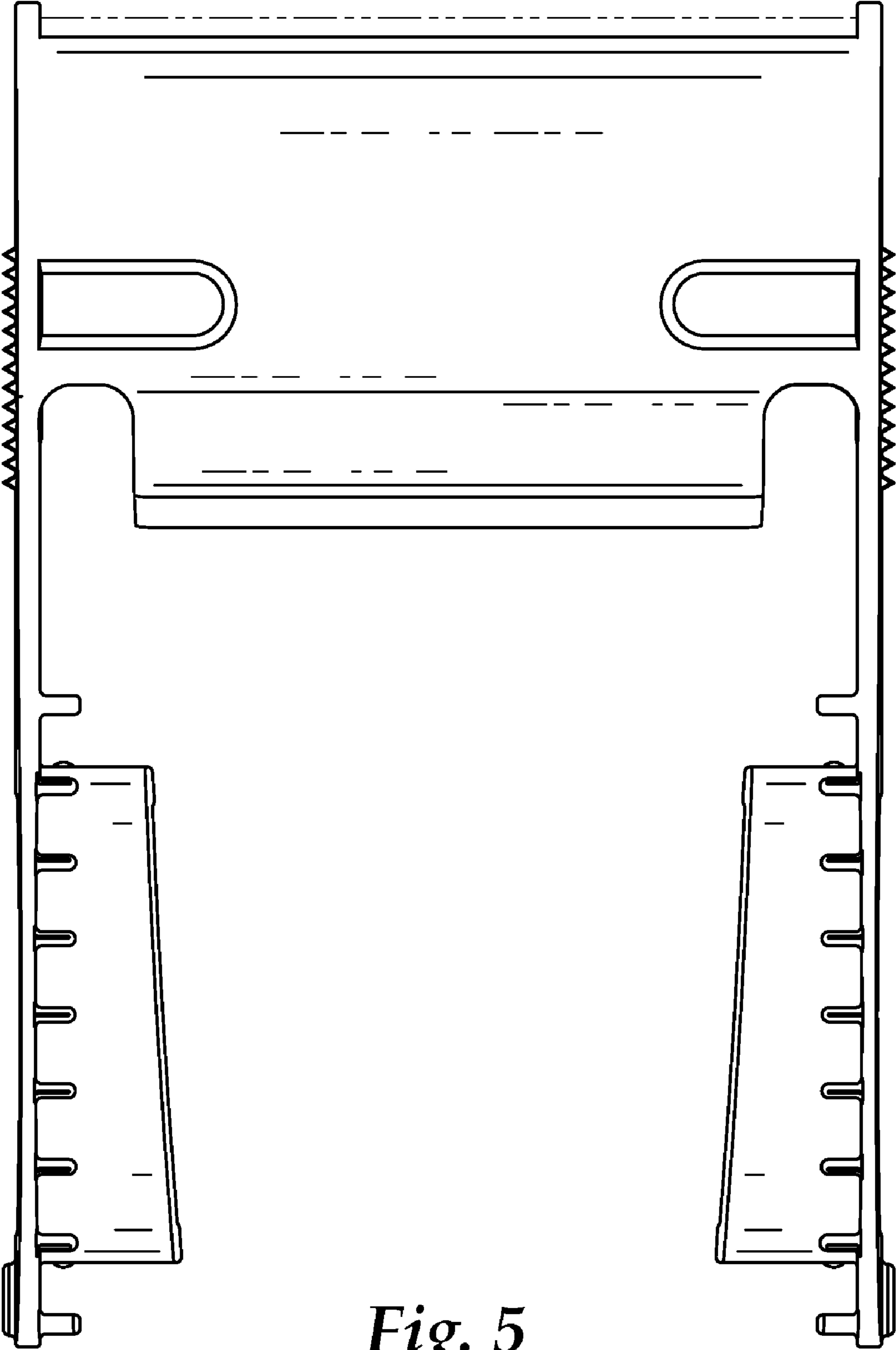


Fig. 5

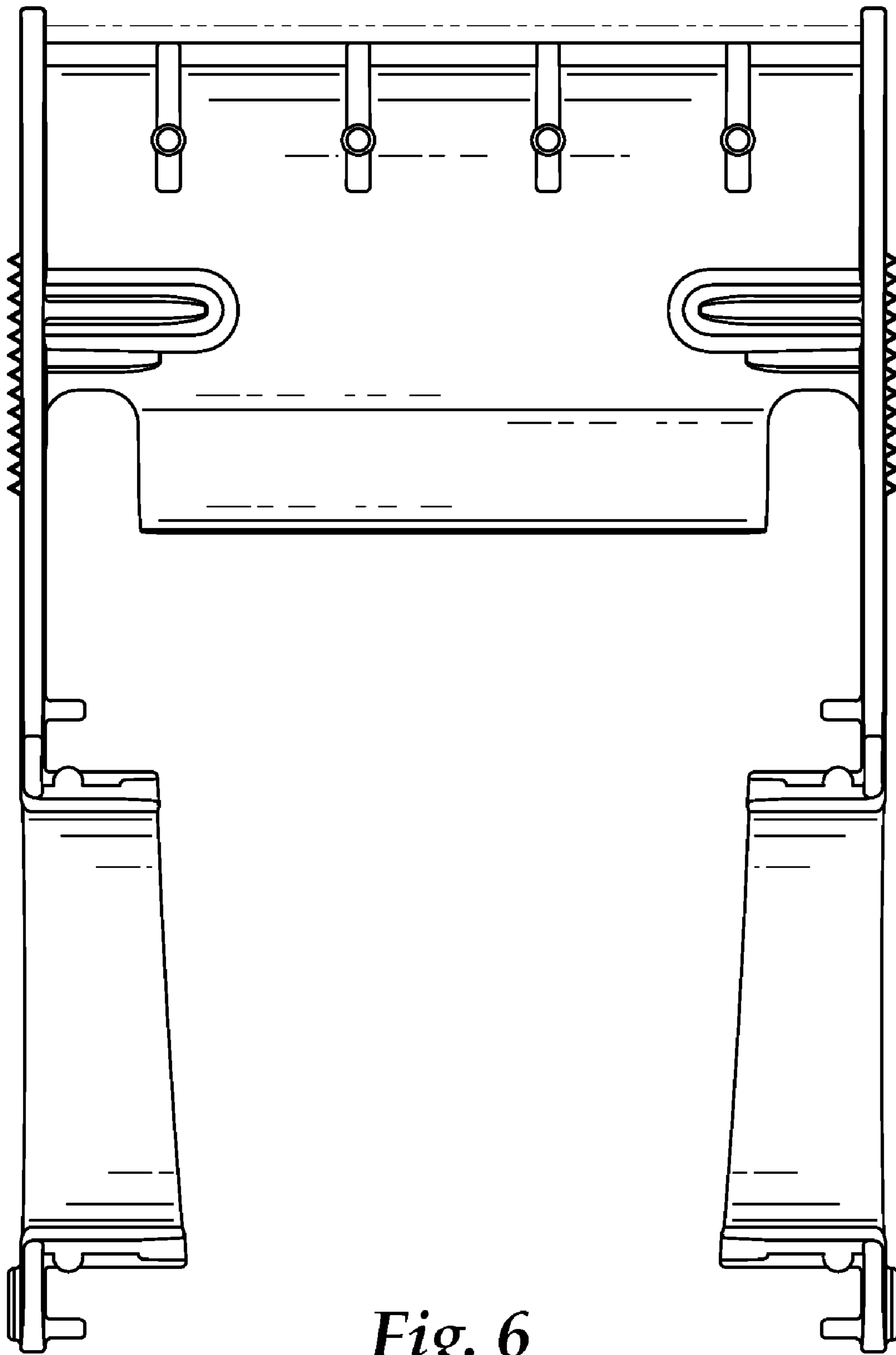


Fig. 6