



US00D568399S

(12) **United States Design Patent**  
**Yu Chen**

(10) **Patent No.:** **US D568,399 S**

(45) **Date of Patent:** **\*\* May 6, 2008**

(54) **TAPE DISPENSER**

(76) **Inventor:** **Hsiu-Man Yu Chen**, No. 40, Sec. 1, Ta Fu Road, Tan Tzu Hsiang, Taichung (TW) 427

(\*\*) **Term:** **14 Years**

(21) **Appl. No.:** **29/258,603**

(22) **Filed:** **Apr. 25, 2006**

(51) **LOC (8) Cl.** ..... **19-02**

(52) **U.S. Cl.** ..... **D19/69**

(58) **Field of Classification Search** ..... D19/70,  
D19/69, 68; 242/588.6, 588.3, 598.5; 225/77,  
225/6, 56, 39, 26, 25, 19, 11; 206/411; 156/577,  
156/527, 523  
See application file for complete search history.

(56) **References Cited**

**U.S. PATENT DOCUMENTS**

D248,561 S *	7/1978	Deering, Jr.	.....	D19/69
D289,180 S *	4/1987	Crawford et al.	.....	D19/69
D359,511 S *	6/1995	Nash et al.	.....	D19/69
D404,430 S *	1/1999	Shen	.....	D19/69
D430,213 S *	8/2000	Huang	.....	D19/69
6,311,923 B1 *	11/2001	Tsai	.....	242/598.5
D486,521 S *	2/2004	Crawford et al.	.....	D19/69

D496,691 S *	9/2004	Crawford et al.	.....	D19/69
D504,155 S *	4/2005	Crawford et al.	.....	D19/69
D541,866 S *	5/2007	Kent et al.	.....	D19/69
2006/0289594 A1 *	12/2006	Yu Chen	.....	225/56

\* cited by examiner

*Primary Examiner*—Cathron C. Brooks

*Assistant Examiner*—Austin Murphy

(74) *Attorney, Agent, or Firm*—Ming Chow; Sinorica, LLC

(57) **CLAIM**

I claim the ornamental design for a tape dispenser, as shown and described.

**DESCRIPTION**

FIG. 1 is a front perspective view of a tape dispenser showing my new design;

FIG. 2 is a front elevational view thereof;

FIG. 3 is a rear elevational view thereof;

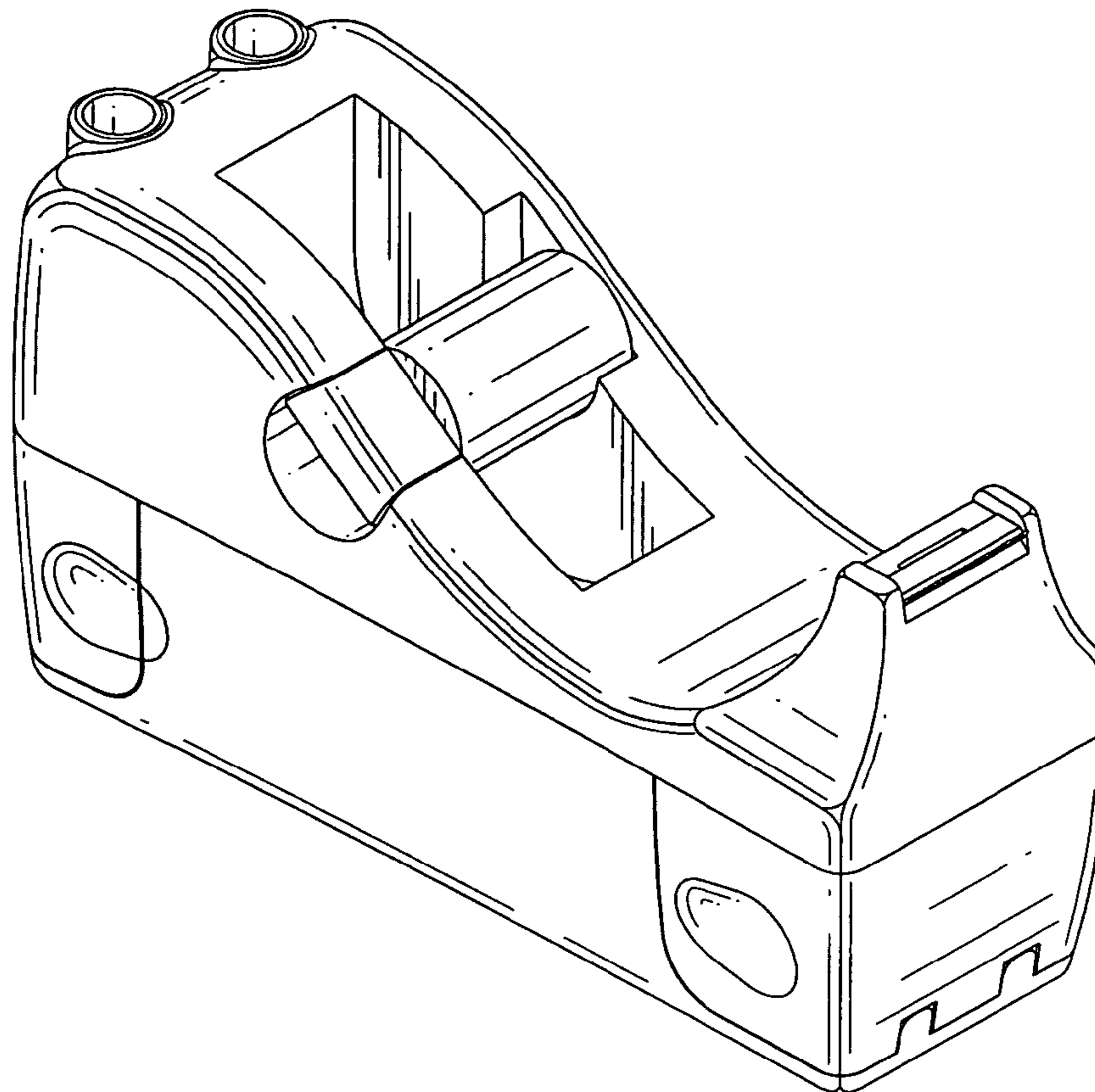
FIG. 4 is a left side elevational view thereof;

FIG. 5 is a right side elevational view thereof;

FIG. 6 is a top plan view thereof; and,

FIG. 7 is a bottom plan view thereof.

**1 Claim, 4 Drawing Sheets**



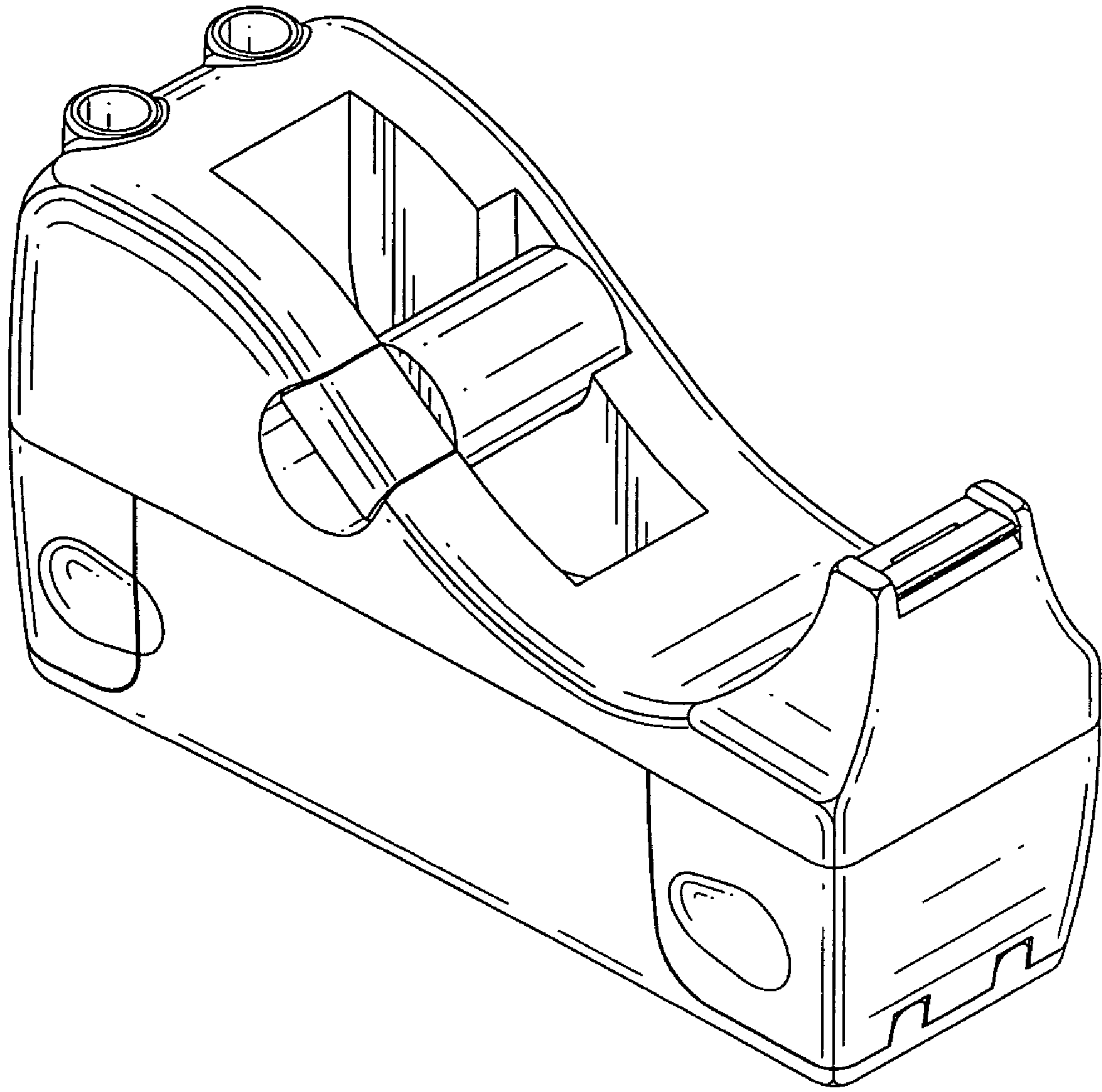


FIG. 1

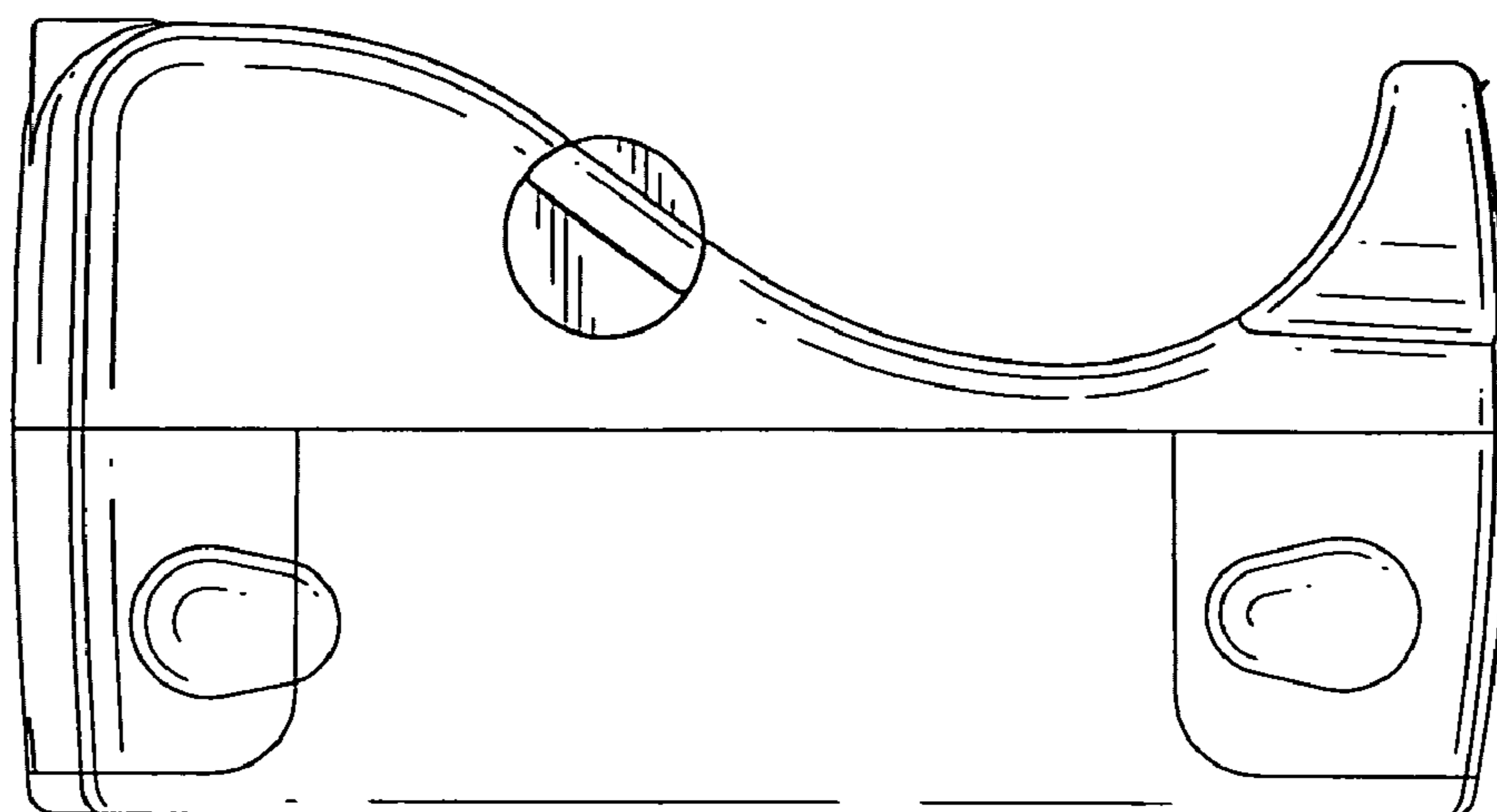


FIG. 2

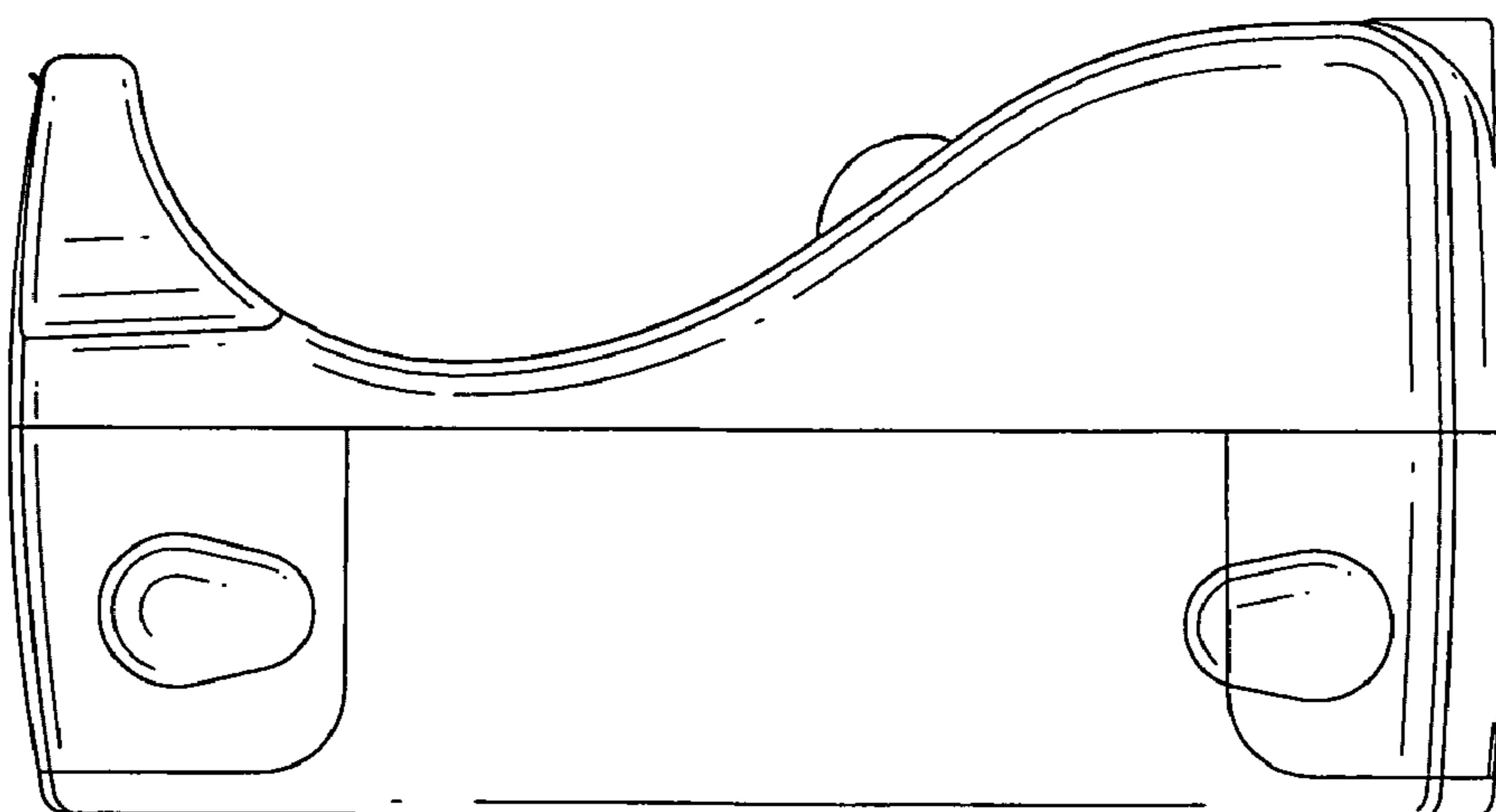


FIG. 3

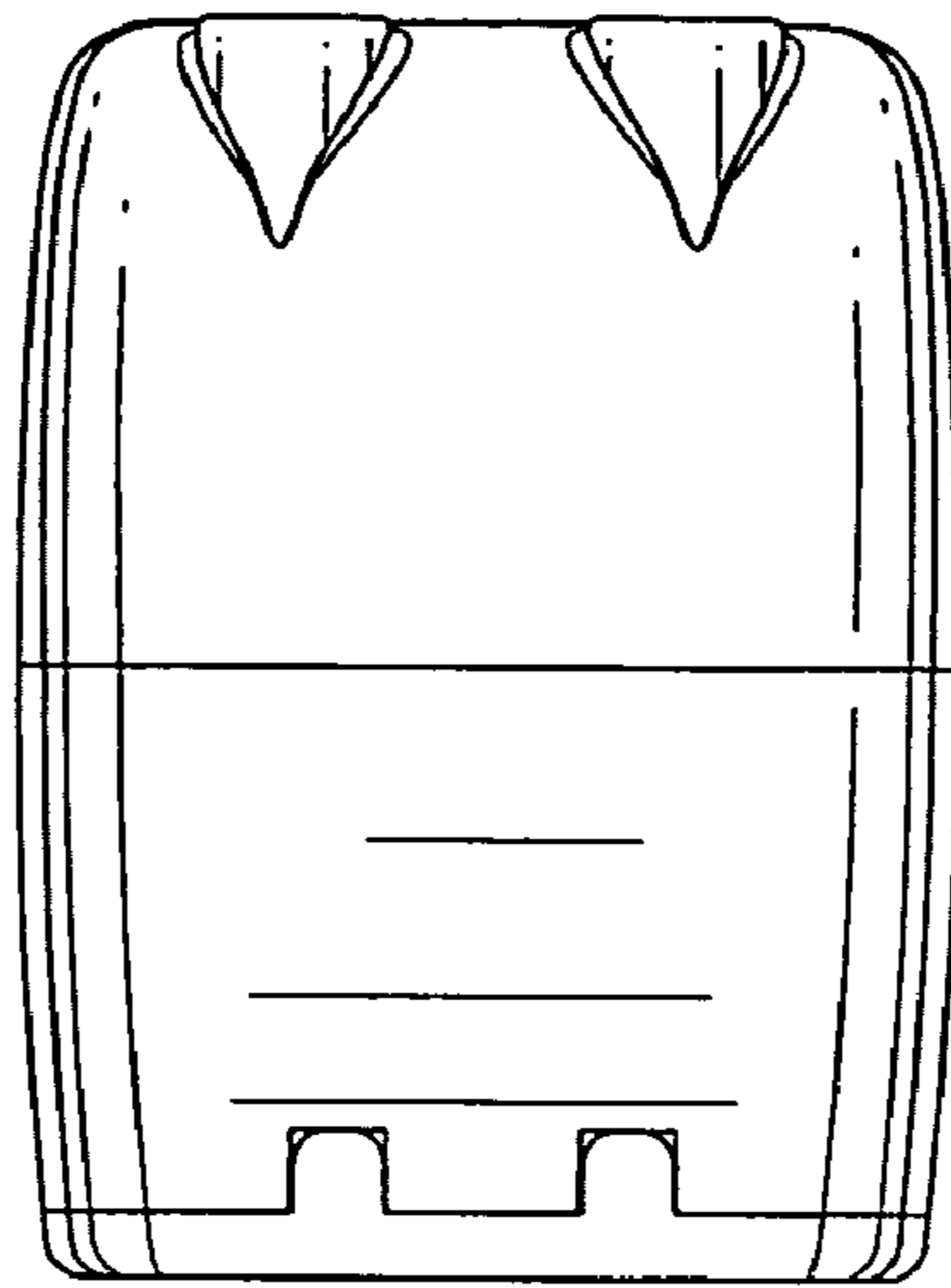


FIG. 4

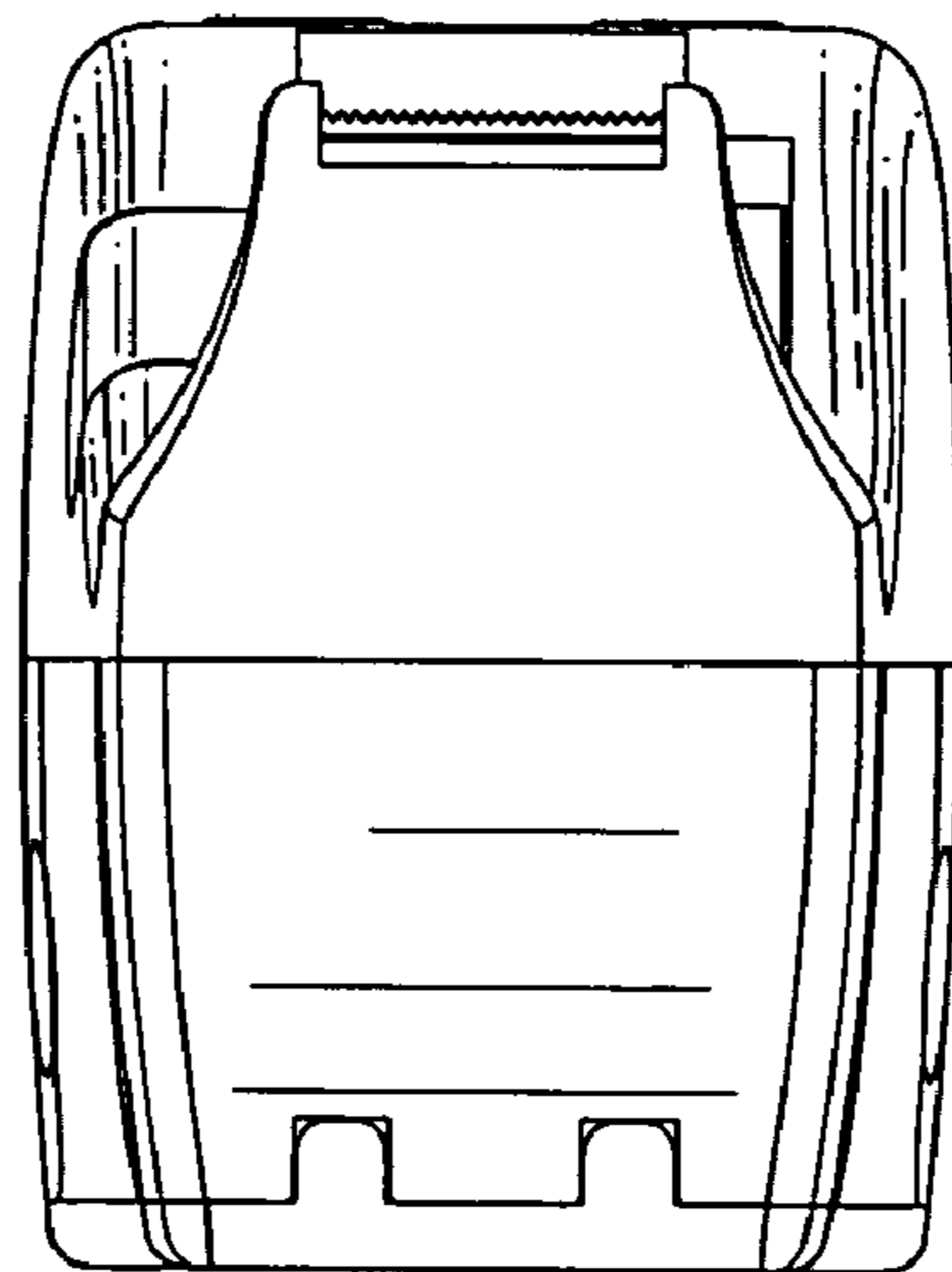


FIG. 5

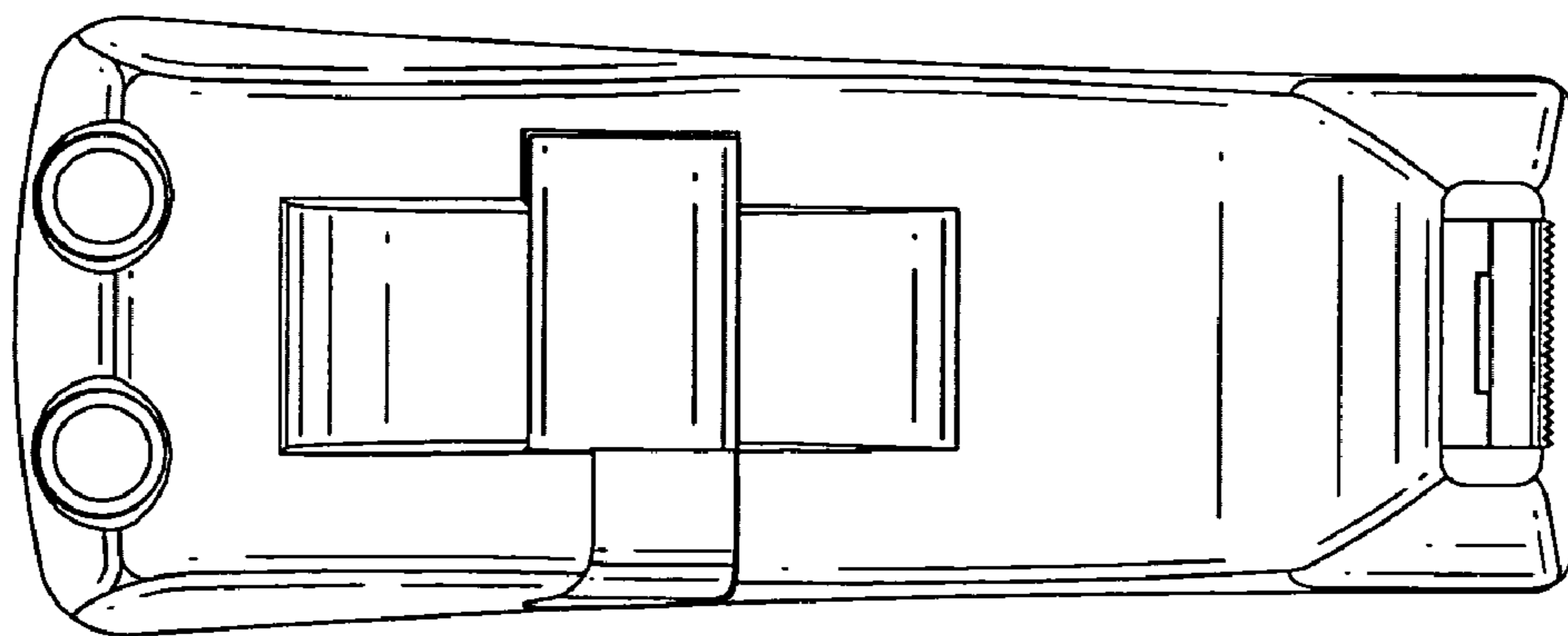


FIG. 6

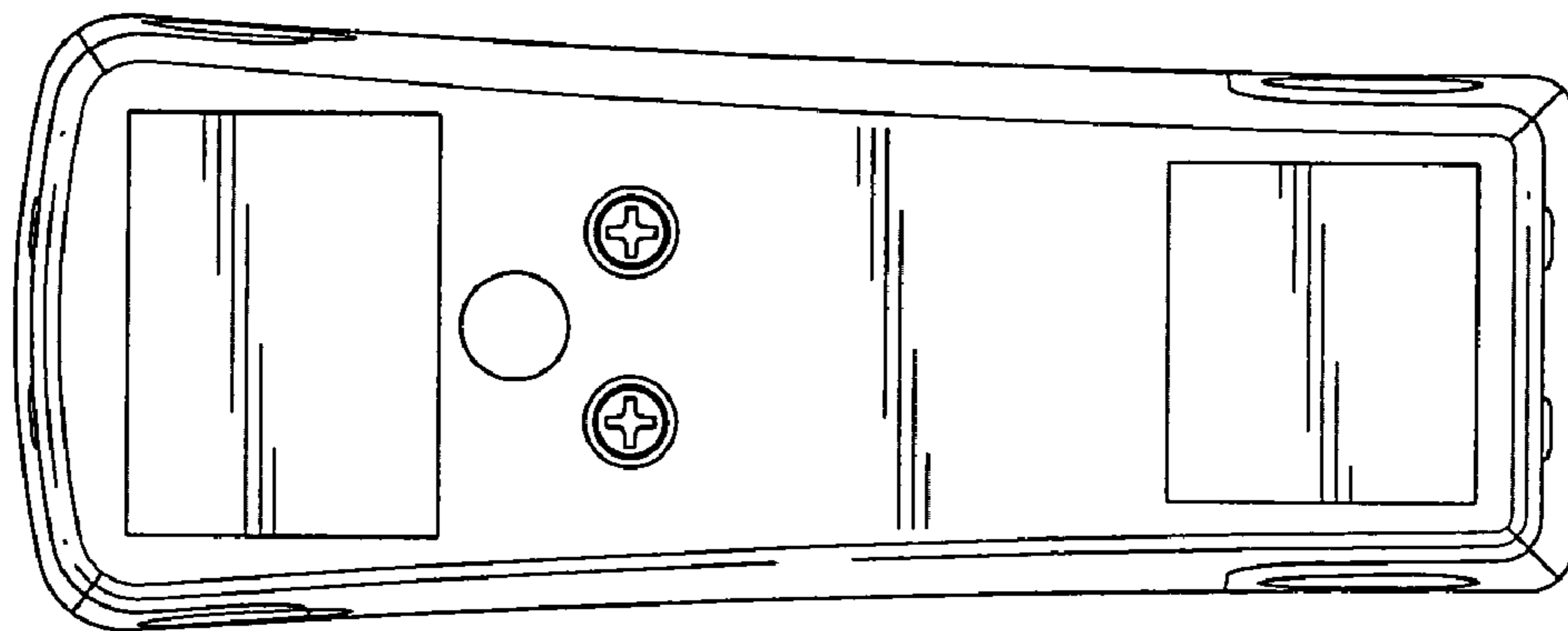


FIG. 7