



US00D568398S

(12) **United States Design Patent** (10) **Patent No.:** **US D568,398 S**
Lau (45) **Date of Patent:** **** May 6, 2008**

(54) **INTEGRATED TABBED NOTE AND CLIP**

(74) *Attorney, Agent, or Firm—Aka Chan LLP*

(76) Inventor: **Janet K. Lau**, 1937 Abreu Way, Union City, CA (US) 94587

(57) **CLAIM**

(**) Term: **14 Years**

The ornamental design for an integrated tabbed note and clip, as shown and described.

(21) Appl. No.: **29/276,300**

(22) Filed: **Jan. 22, 2007**

DESCRIPTION

(51) **LOC (8) Cl.** **19-02**

(52) **U.S. Cl.** **D19/65**

(58) **Field of Classification Search** D6/515;
D7/686; D8/16; D19/1, 2, 5, 6, 34, 65, 86,
D19/90, 91, 99; D20/22, 40, 43; 24/67 R,
24/67.3, 67.5, 67.7, 67.9, 67.11, 545, 546,
24/547, 551, 552, 555; 40/300, 301, 302,
40/360, 384, 641, 651, 653, 658, 659, 666;
116/236, 237

See application file for complete search history.

FIG. 1 shows a perspective view of a first embodiment of a design for an integrated tabbed note and clip.

FIG. 2 shows a front view of the first embodiment.

FIG. 3 shows a right-side view of the first embodiment. A left-side view of this embodiment is a mirror image of this figure.

FIG. 4 shows a back view of the first embodiment.

FIG. 5 shows a top view of the first embodiment.

FIG. 6 shows a bottom view of the first embodiment.

FIG. 7 shows a perspective view of a second embodiment.

FIG. 8 shows a front view of the second embodiment.

FIG. 9 shows a right-side view of the second embodiment. A left-side view of this embodiment is a mirror image of this figure.

FIG. 10 shows a back view of the second embodiment.

FIG. 11 shows a top view of the second embodiment.

FIG. 12 shows a bottom view of the second embodiment.

FIG. 13 shows a perspective view of a third embodiment.

FIG. 14 shows a front view of the third embodiment.

FIG. 15 shows a right-side view of the third embodiment. A left-side view of this embodiment is a mirror image of this figure.

FIG. 16 shows a back view of the third embodiment.

FIG. 17 shows a top view of the third embodiment; and,

FIG. 18 shows a bottom view of the third embodiment.

(56) **References Cited**

U.S. PATENT DOCUMENTS

332,327	A	12/1885	Clark	
863,265	A	8/1907	Crouse	
876,252	A	1/1908	Baker	
962,397	A	6/1910	Whitmore	
1,052,505	A	2/1913	Munger et al.	
1,123,008	A	12/1914	Rice	
1,158,940	A	11/1915	Litt et al.	
1,178,113	A	4/1916	Turton et al.	
D50,594	S	4/1917	Voges	
1,337,607	A *	4/1920	Klenke	24/551
1,345,365	A	7/1920	Hutchison	
1,465,576	A	8/1923	Biggs	

(Continued)

FOREIGN PATENT DOCUMENTS

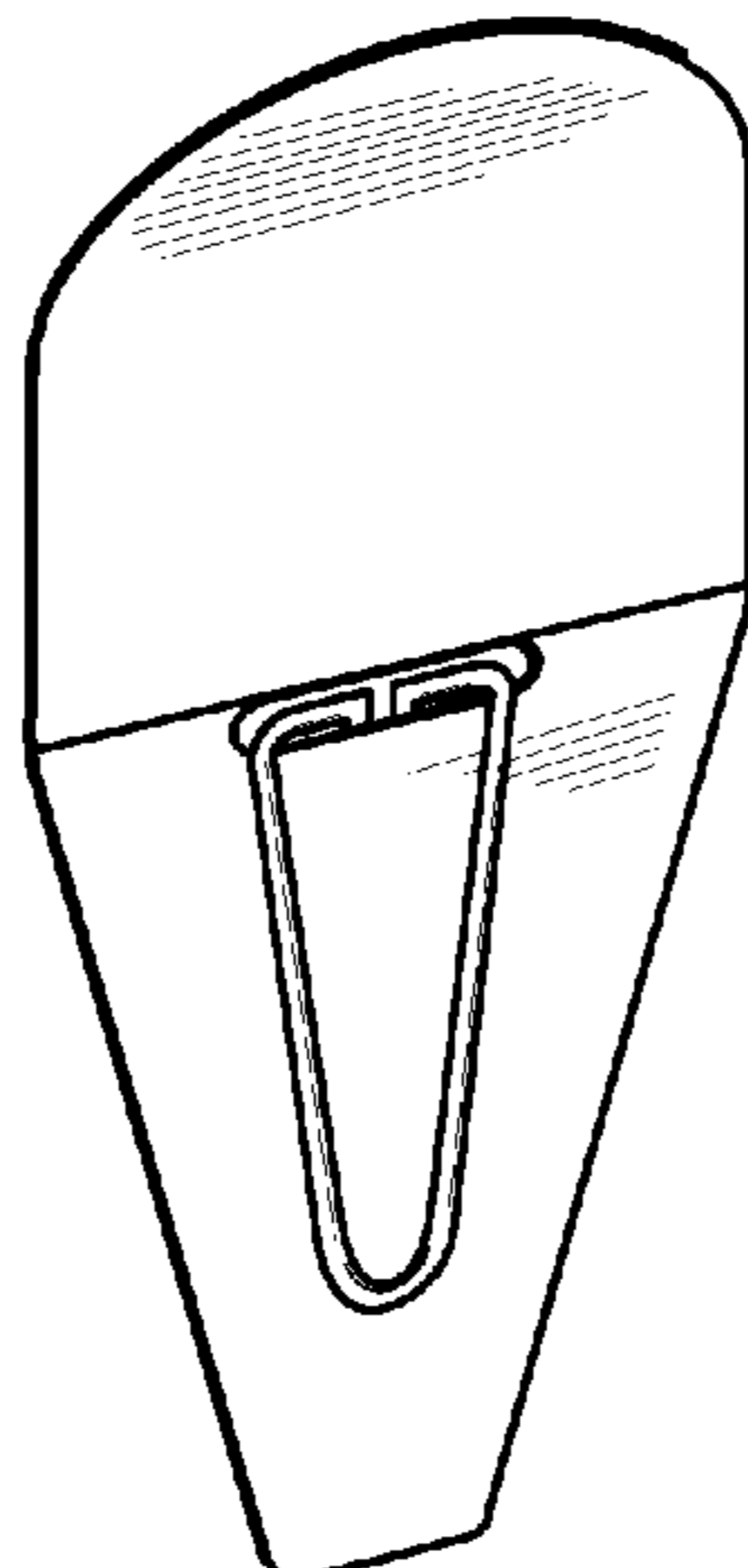
JP 09-071065 A 3/1997

(Continued)

Primary Examiner—Cathron C. Brooks

Assistant Examiner—Austin Murphy

1 Claim, 3 Drawing Sheets



US D568,398 S

U.S. PATENT DOCUMENTS

1,501,067	A	7/1924	Schaffert	
1,524,478	A	1/1925	Hunter	
1,587,335	A	6/1926	Kline	
1,661,165	A	3/1928	Cameron	
1,778,031	A	10/1930	Kinch	
1,802,980	A	4/1931	Marsh	
1,826,580	A	10/1931	Spinney	
1,840,604	A	1/1932	Randall	
1,894,906	A	1/1933	Henry	
1,914,671	A	6/1933	O'Neil	
1,976,465	A	10/1934	Thomson	
1,977,096	A	10/1934	Straubel	
1,985,866	A	12/1934	Lankenau	
1,997,894	A	4/1935	Woodley	
2,008,019	A	7/1935	Horlick, Jr.	
2,118,043	A	5/1938	Goza	
2,156,743	A	5/1939	Skrebba	
2,323,552	A	7/1943	Marion	
D136,639	S	11/1943	Hoffman	
2,362,445	A	11/1944	Blodgett	
2,415,248	A	2/1947	Kenna et al.	
2,420,021	A	5/1947	Straubel	
2,478,376	A *	8/1949	De Swart 24/67.9
2,623,311	A	12/1952	Condon	
3,073,046	A	1/1963	Condon	
3,123,924	A	3/1964	Roberts	
3,225,469	A	12/1965	Chase	
3,290,810	A	12/1966	Morena	
3,360,877	A	1/1968	Estep	

3,934,368	A	1/1976	Fearing	
D241,342	S	9/1976	Carroll	
D268,848	S	5/1983	Lorber	
4,384,417	A	5/1983	Thompson	
4,425,724	A	1/1984	Scott	
4,458,386	A *	7/1984	Fernandez 24/67.9
4,646,455	A	3/1987	Gardner	
4,691,458	A	9/1987	Scott	
4,951,408	A	8/1990	Banks	
D314,012	S	1/1991	Klodt	
5,008,982	A *	4/1991	Tsukamoto 24/67.9
5,067,205	A *	11/1991	Chen et al. 24/67.9
5,199,203	A	4/1993	Jones	
D344,545	S *	2/1994	Tsai D19/65
5,319,835	A *	6/1994	Chao 24/67.9
D356,116	S *	3/1995	Lorber D19/65
5,481,784	A	1/1996	Sinaiko	
5,507,459	A	4/1996	Kiera	
D383,789	S	9/1997	Shyu	
5,695,219	A	12/1997	Crawford	
5,996,130	A	12/1999	Verhines	
D465,525	S	11/2002	Dilday	
D541,346	S *	4/2007	Lau et al. D19/65
2005/0217078	A1	10/2005	Groch et al.	
2006/0000133	A1	1/2006	Windorski	

FOREIGN PATENT DOCUMENTS

JP 2001-353992 A 12/2001

* cited by examiner

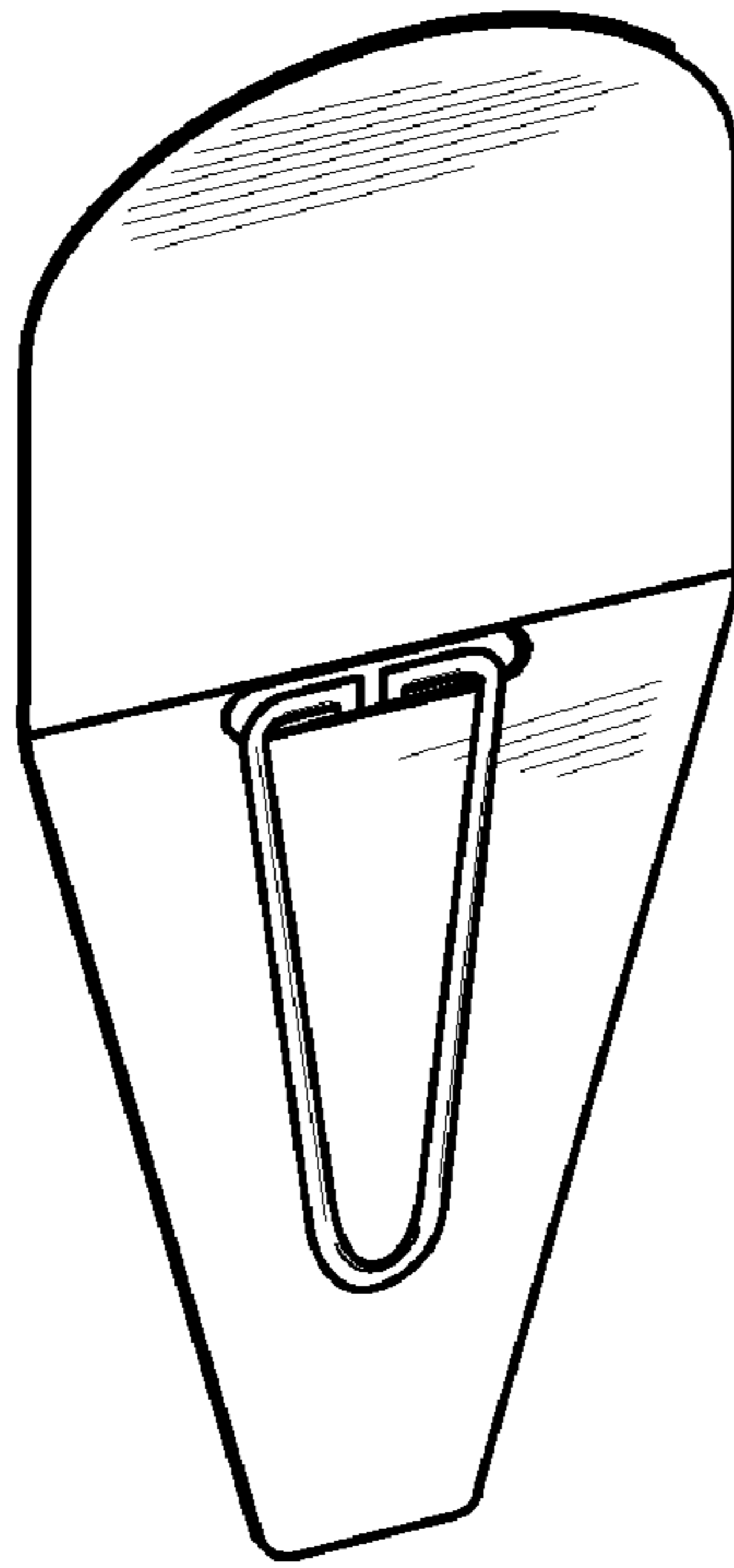


FIG. 1



FIG. 5



FIG. 6

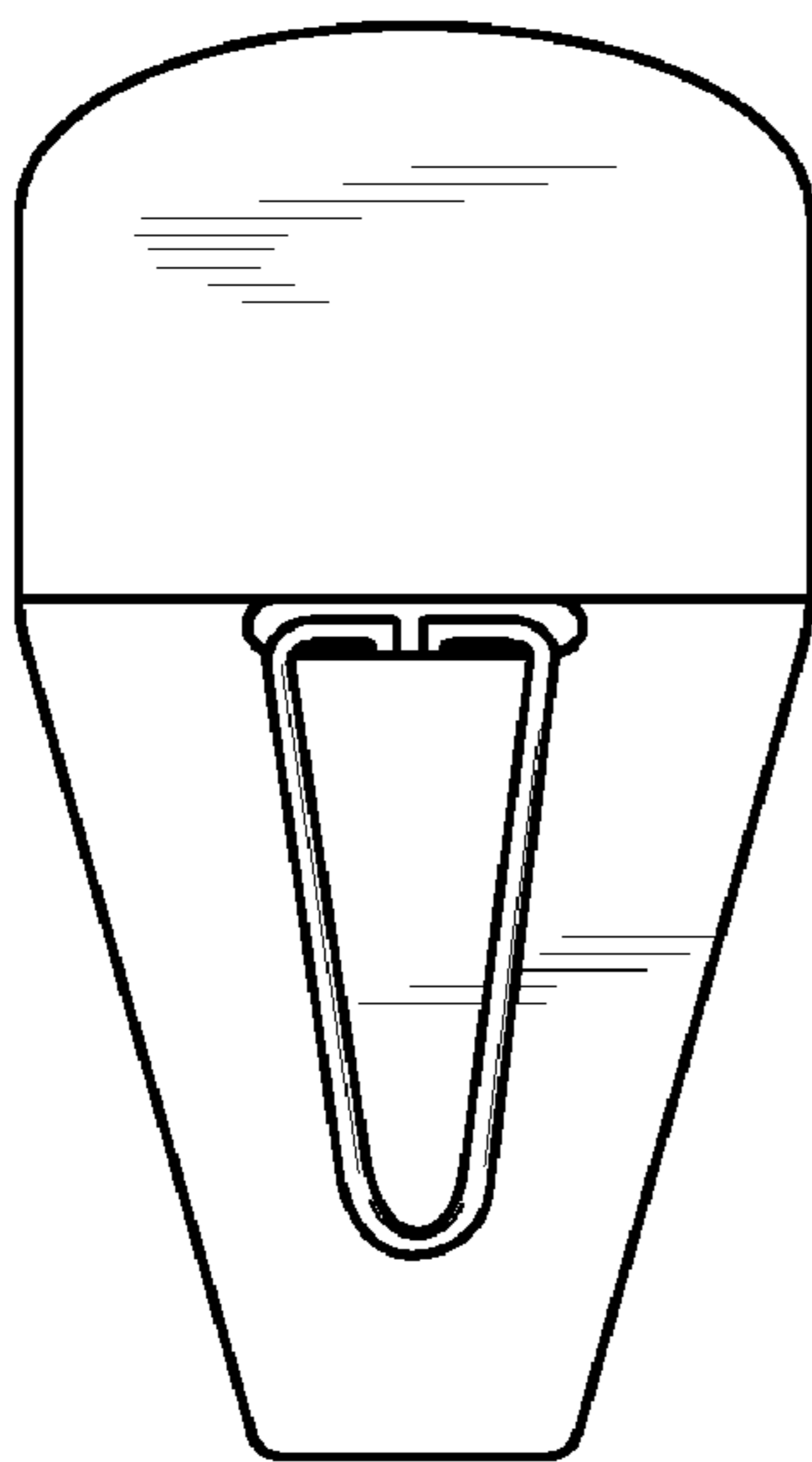


FIG. 2



FIG. 3

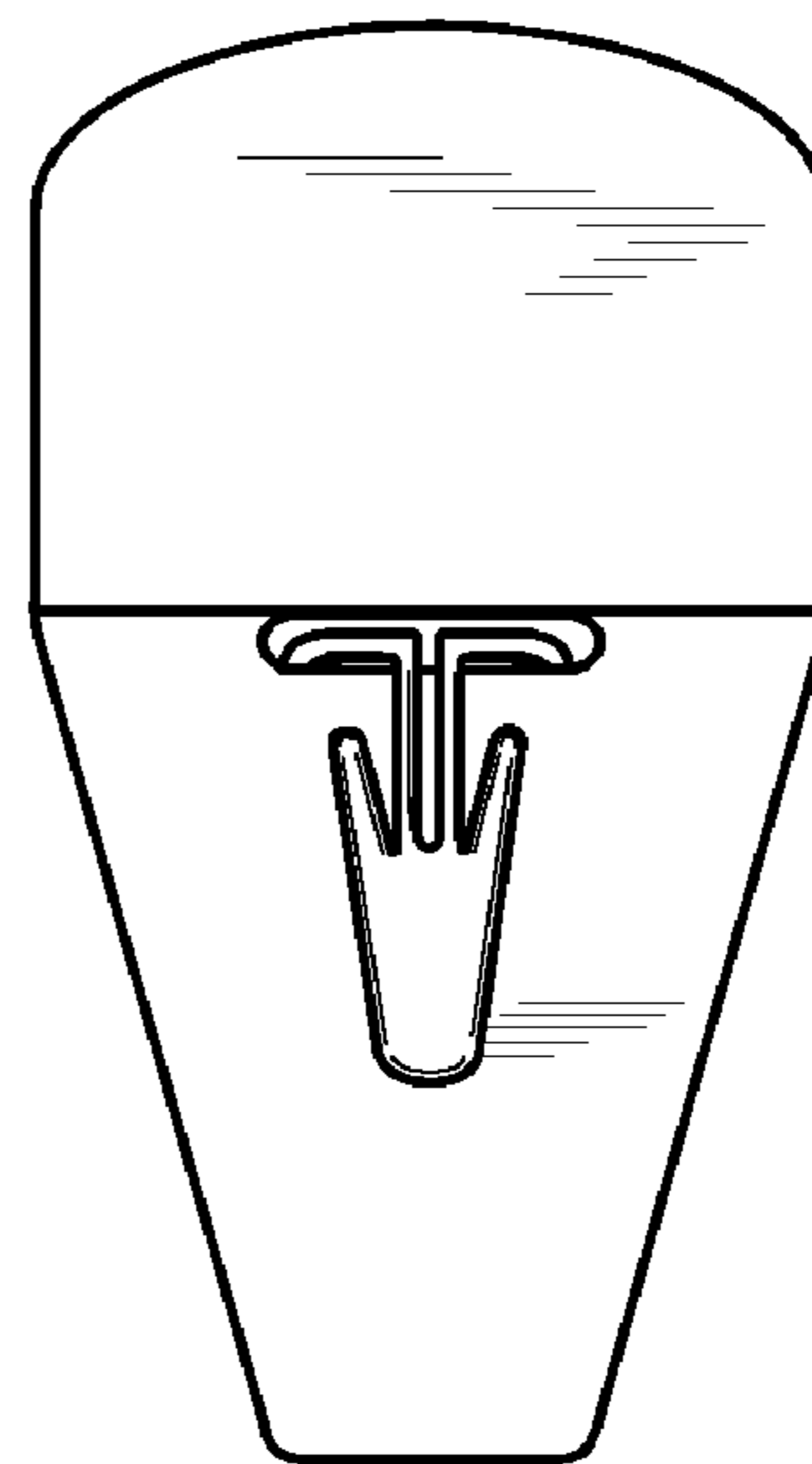


FIG. 4

FIG. 7

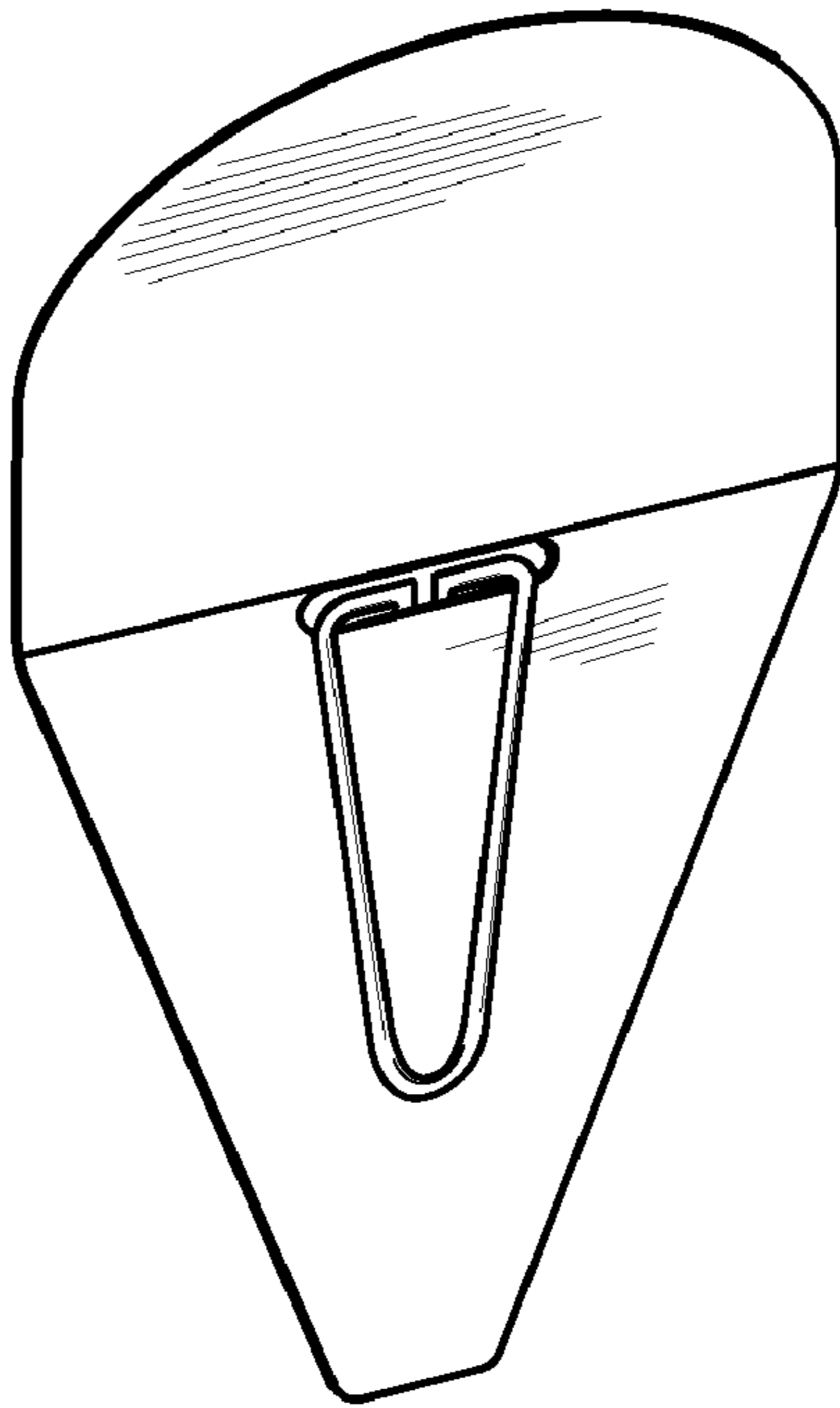


FIG. 11



FIG. 12

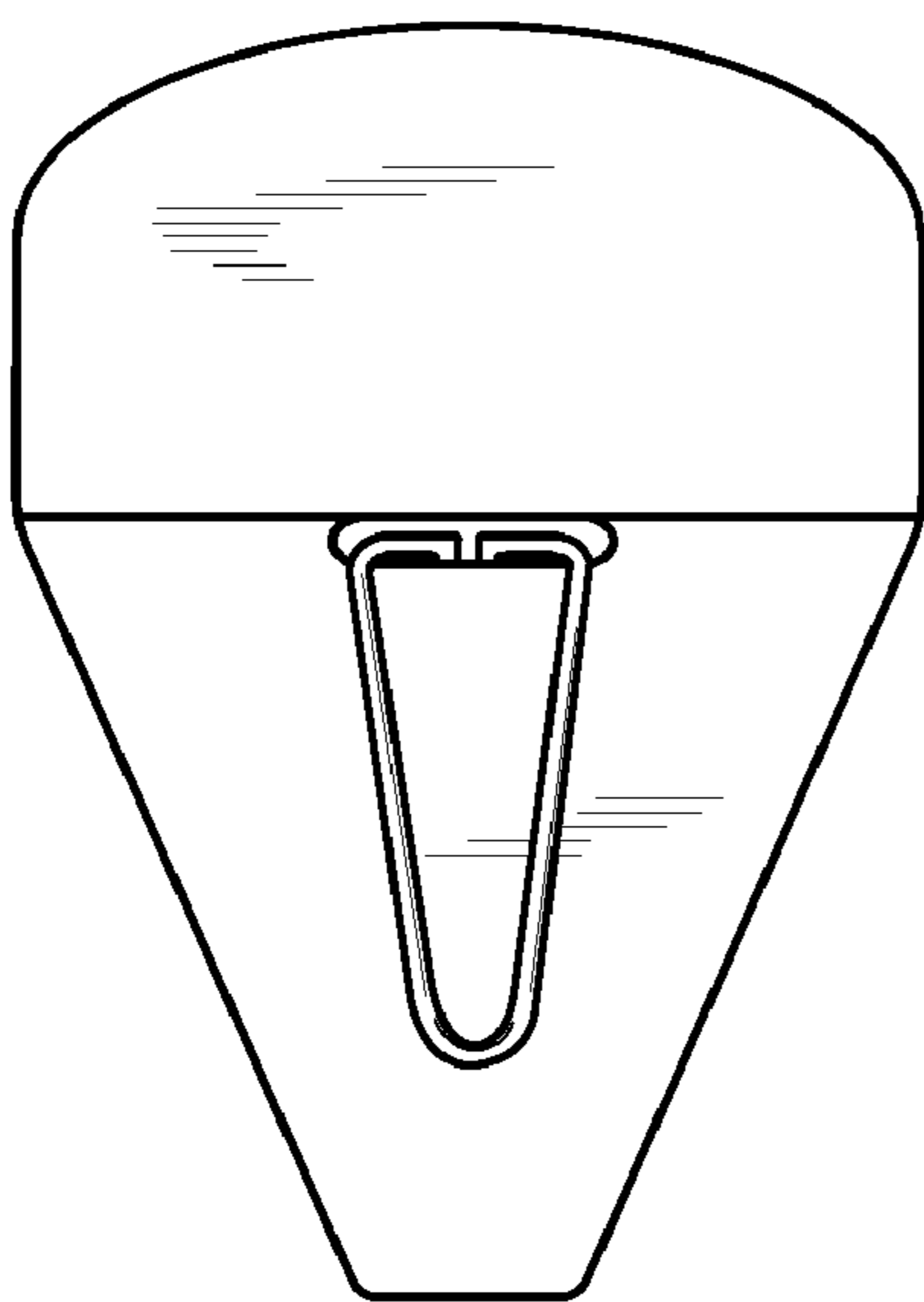


FIG. 8



FIG. 9

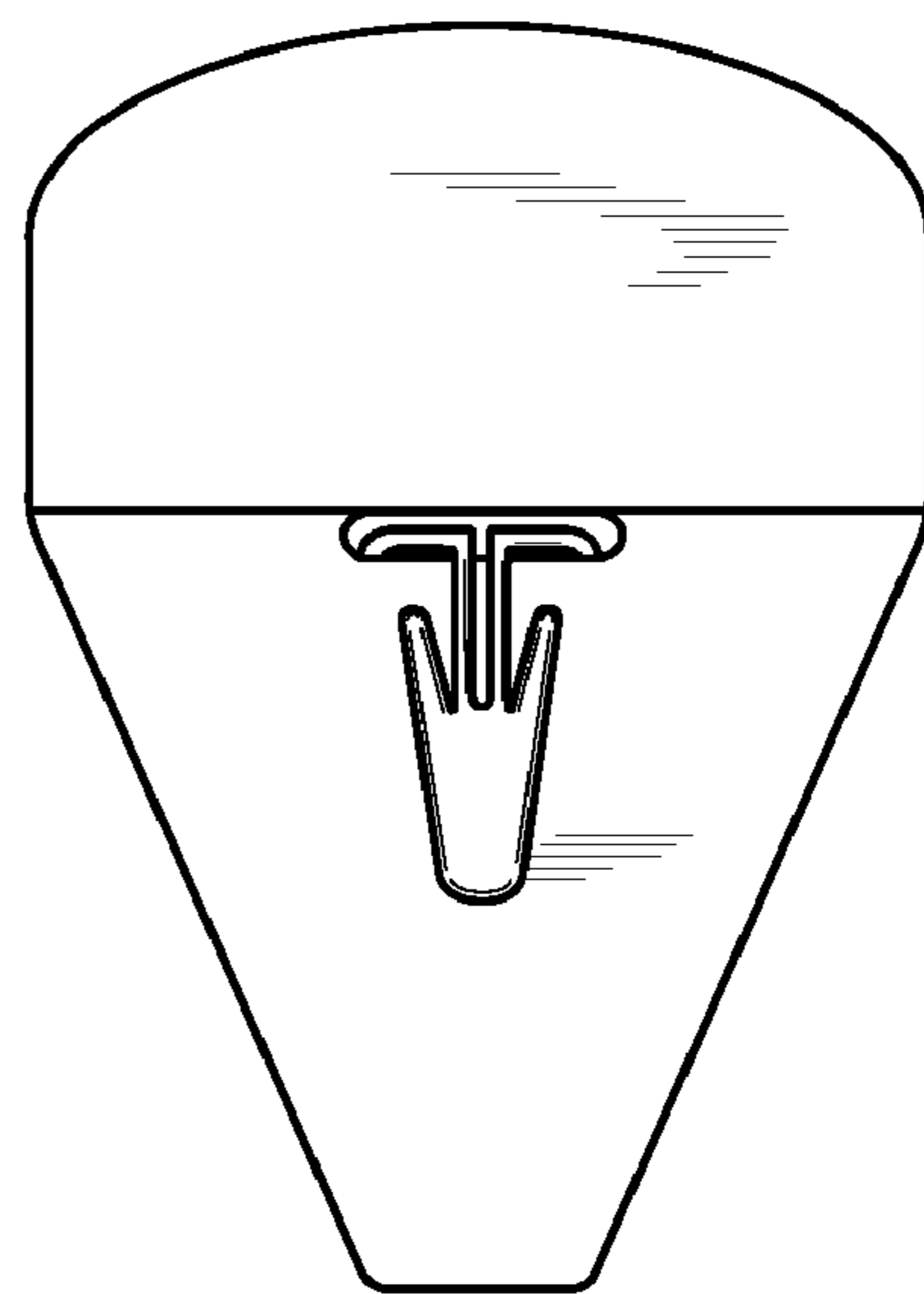


FIG. 10

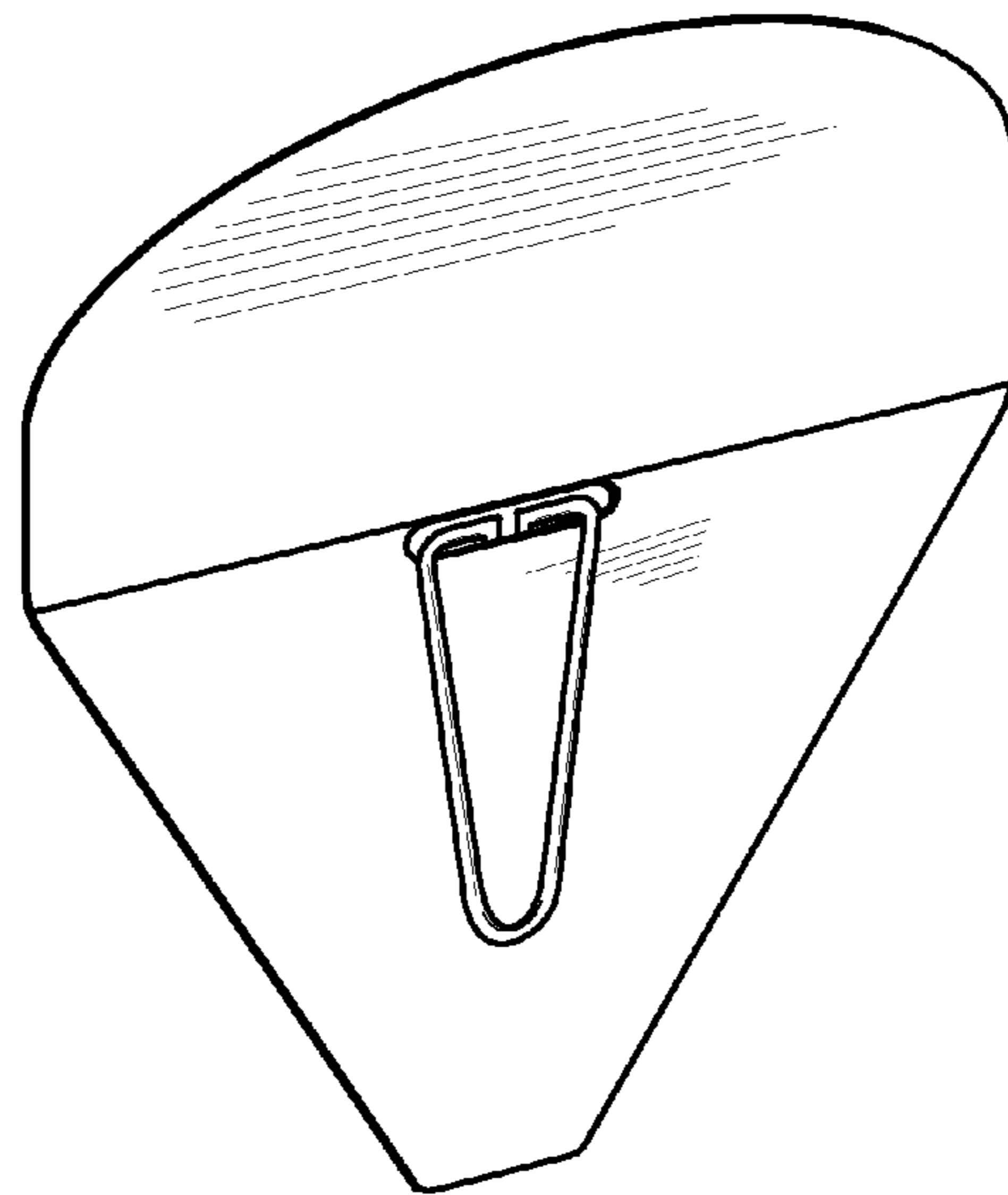


FIG. 13



FIG. 17



FIG. 18

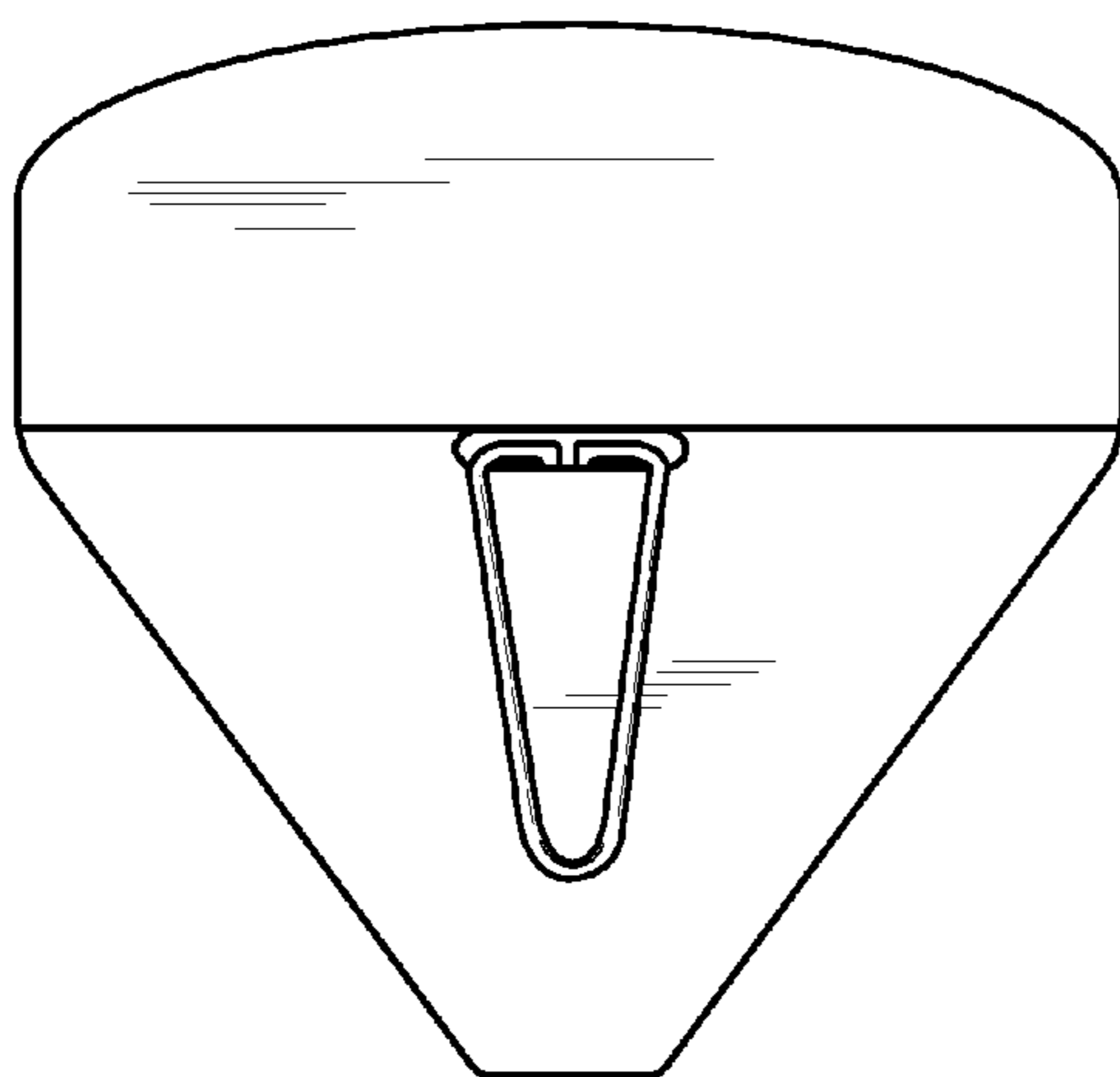


FIG. 14



FIG. 15

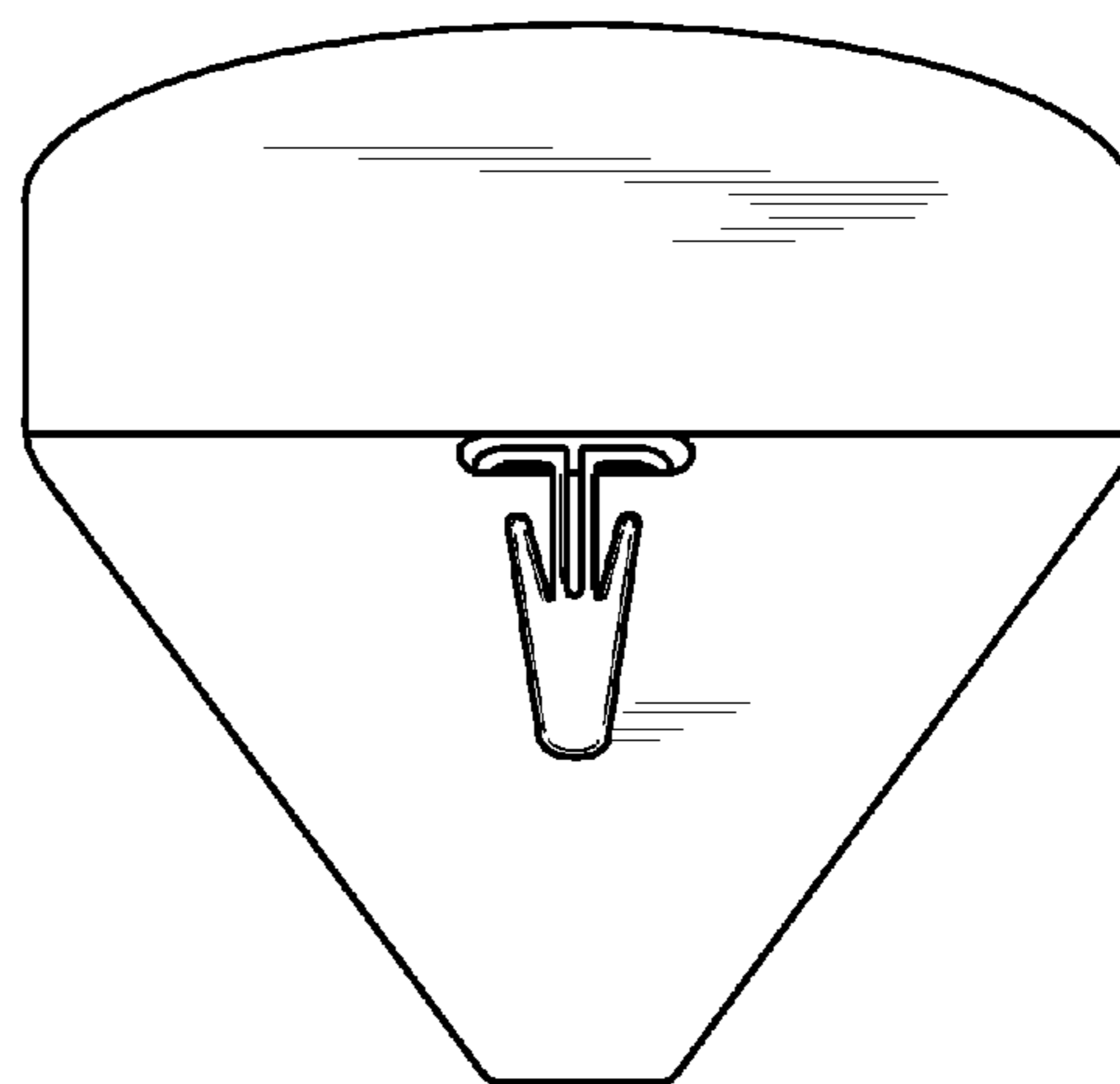


FIG. 16