



US00D568395S

(12) **United States Design Patent**
Bhavnani

(10) **Patent No.:** **US D568,395 S**

(45) **Date of Patent:** **** May 6, 2008**

(54) **PEN CAP AND CLIP**

(75) Inventor: **Dilip Bhavnani**, Beverly Hills, CA
(US)

(73) Assignee: **Sun Coast Merchandise Corporation**,
Commerce, CA (US)

(**) Term: **14 Years**

(21) Appl. No.: **29/284,101**

(22) Filed: **Aug. 30, 2007**

Related U.S. Application Data

(62) Division of application No. 29/283,159, filed on Aug.
7, 2007.

(51) **LOC (8) Cl.** **19-06**

(52) **U.S. Cl.** **D19/57**

(58) **Field of Classification Search** D19/35,
D19/36, 41-51, 53-57; 24/11 R, 11 F, 11 P;
401/52, 99, 100, 104, 105, 106, 107, 108,
401/109, 192, 195, 196

See application file for complete search history.

(56) **References Cited**

U.S. PATENT DOCUMENTS

D412,014 S * 7/1999 Izushima D19/48
D424,110 S * 5/2000 Hu D19/51
D445,827 S * 7/2001 Stropkay et al. D19/43

D445,829 S * 7/2001 Izushima D19/48
6,659,673 B1 * 12/2003 Haffner et al. 401/258
6,702,500 B1 * 3/2004 Haffner et al. 401/258
D496,961 S * 10/2004 Daida D19/43
D540,384 S * 4/2007 Qiu D19/43
D554,702 S * 11/2007 Paslawski D19/48

* cited by examiner

Primary Examiner—Elizabeth A. Albert

(74) *Attorney, Agent, or Firm*—The Soni Law Firm

(57) **CLAIM**

The ornamental design for a pen cap and clip, as shown and
described.

DESCRIPTION

FIG. 1 is a front bottom side perspective view of the pen cap
and clip showing my new design;

FIG. 2 is a front elevational view thereof;

FIG. 3 is a right elevational view thereof;

FIG. 4 is a left elevational view thereof;

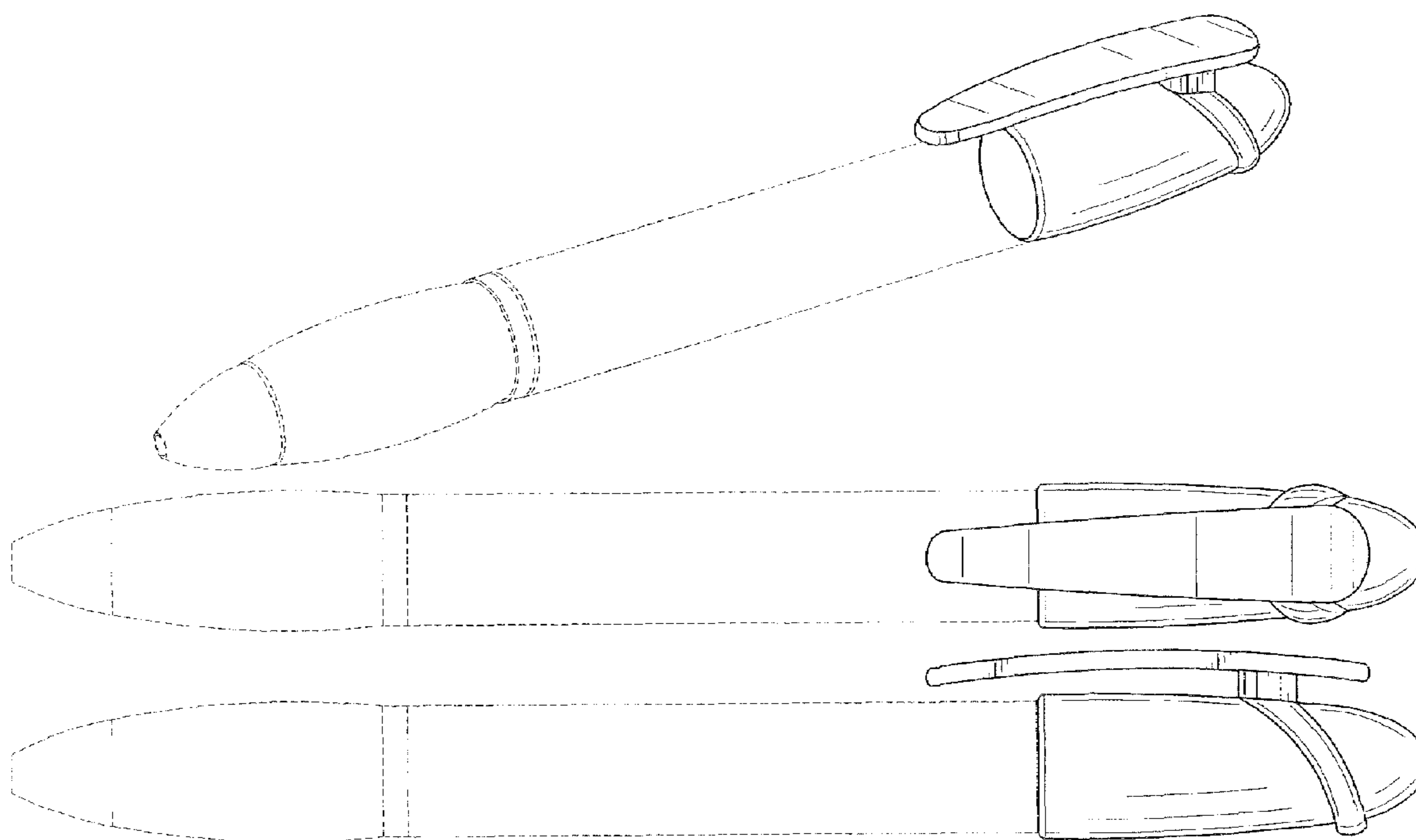
FIG. 5 is a back elevational view thereof;

FIG. 6 is a bottom plan view thereof; and,

FIG. 7 is a top plan view thereof.

The broken lines depicting environmental structure are for
illustrative purposes only and form no part of the claimed
design.

1 Claim, 2 Drawing Sheets



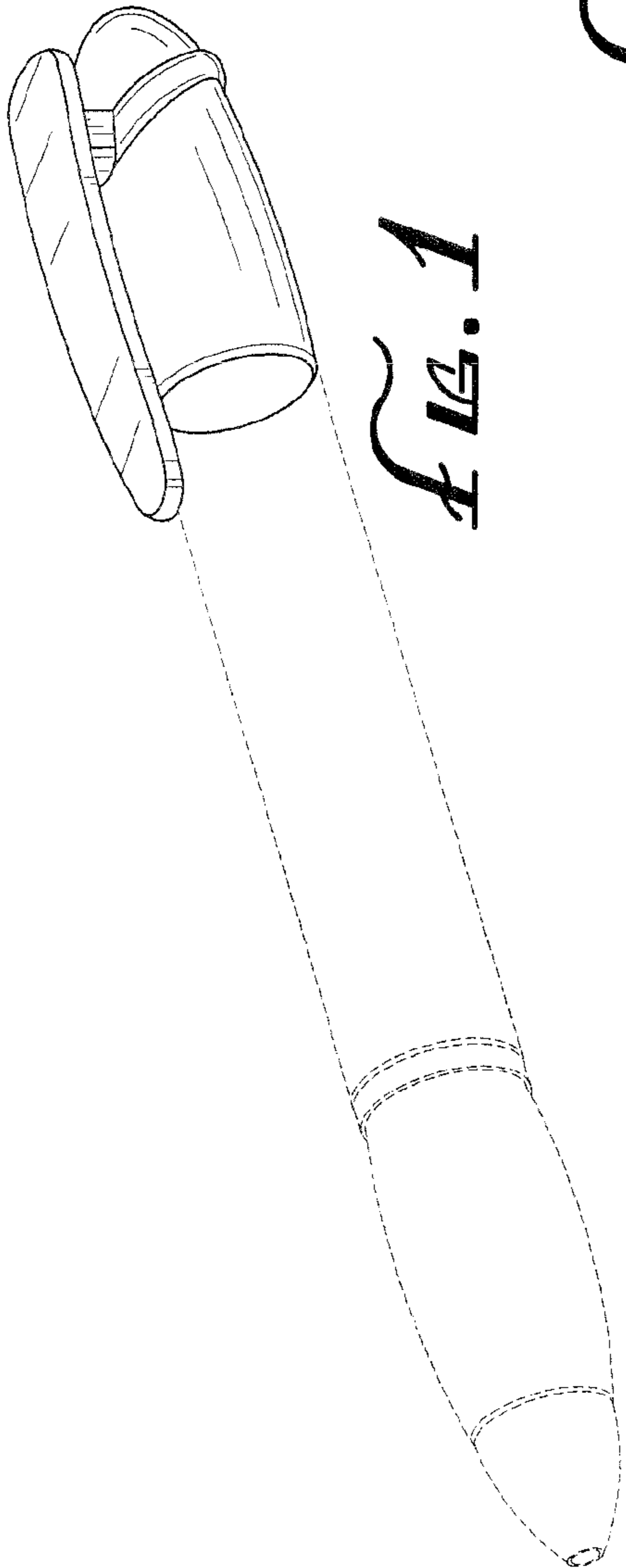


FIG. 1

FIG. 2

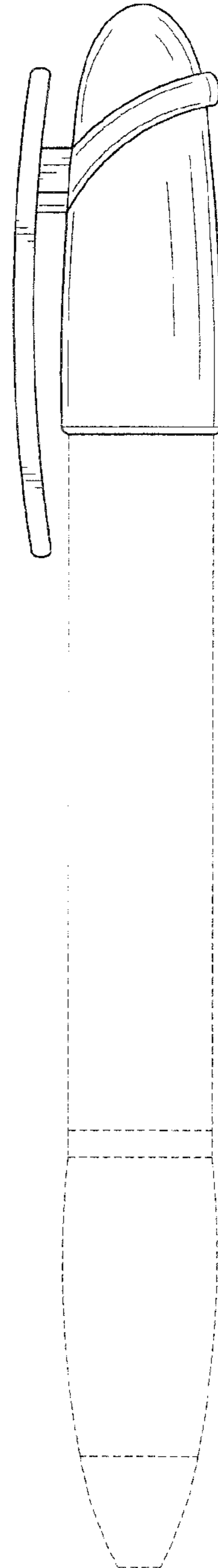
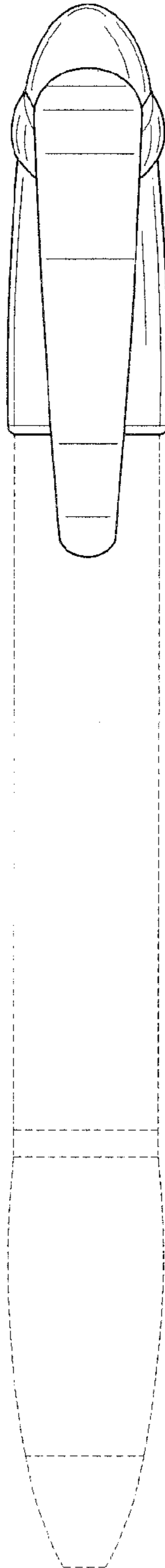


FIG. 3



FIG. 4

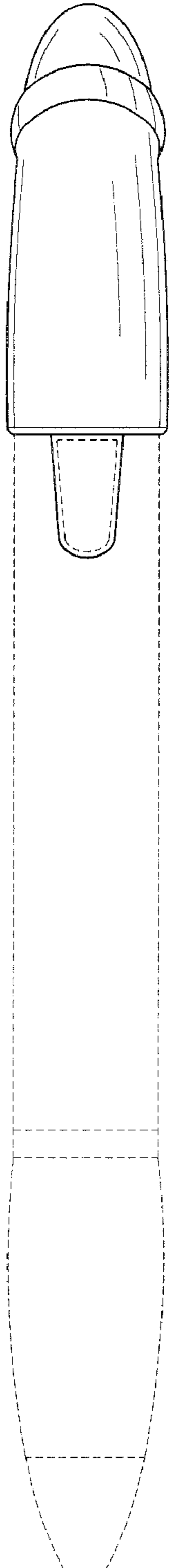


FIG. 5

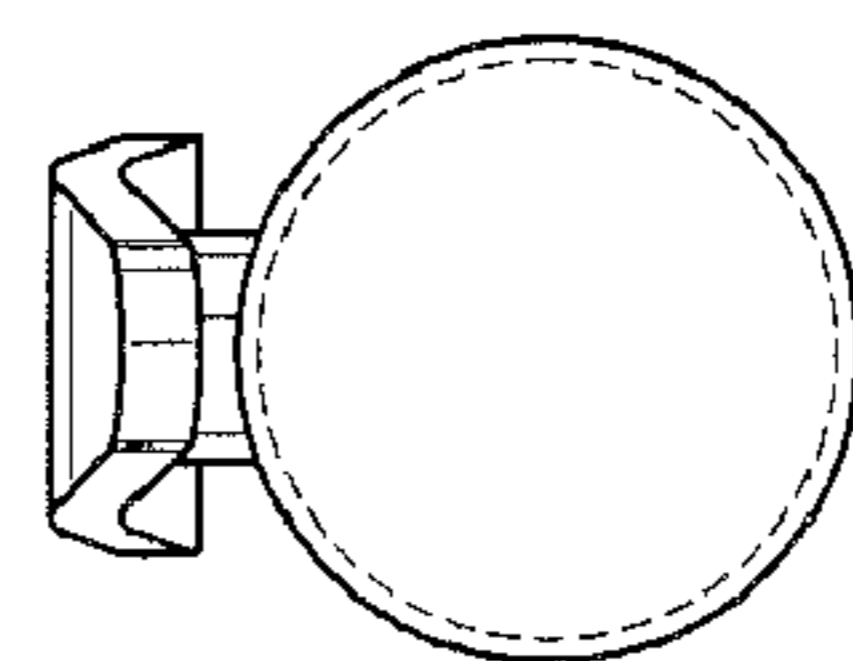


FIG. 6

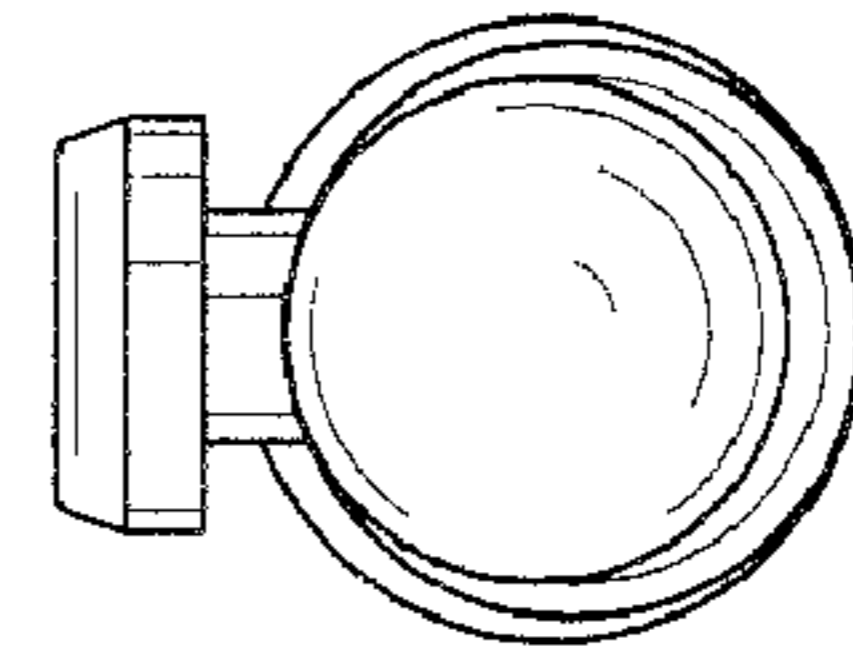


FIG. 7