



US00D568392S

(12) **United States Design Patent**
Bhavnani

(10) **Patent No.:** **US D568,392 S**

(45) **Date of Patent:** **** May 6, 2008**

- (54) **PEN**
- (75) Inventor: **Dilip Bhavnani**, Beverly Hills, CA (US)
- (73) Assignee: **Sun Coast Merchandise Corporation**, Commerce, CA (US)
- (**) Term: **14 Years**
- (21) Appl. No.: **29/283,159**
- (22) Filed: **Aug. 7, 2007**
- (51) **LOC (8) Cl.** **19-06**
- (52) **U.S. Cl.** **D19/50**
- (58) **Field of Classification Search** D19/35, D19/36, 41-51, 53-57; 24/11 R, 11 F, 11 P; 401/52, 99, 100, 104, 105, 106, 107, 108, 401/109, 192, 195, 196
See application file for complete search history.

- D501,509 S * 2/2005 Lecce D19/51
- D510,950 S * 10/2005 Eddington et al. D19/57
- D513,766 S * 1/2006 Cetera D19/36
- D552,679 S * 10/2007 Cetera D19/51
- D554,702 S * 11/2007 Paslawski D19/48

* cited by examiner

Primary Examiner—Elizabeth A. Albert

(74) *Attorney, Agent, or Firm*—The Soni Law Firm

(57) **CLAIM**

The ornamental design for a pen, as shown and described.

DESCRIPTION

FIG. 1 is a front bottom side perspective view of the pen showing my new design;

FIG. 2 is a front elevational view thereof;

FIG. 3 is a right elevational view thereof;

FIG. 4 is a left elevational view thereof;

FIG. 5 is a back elevational view thereof;

FIG. 6 is a bottom plan view thereof; and,

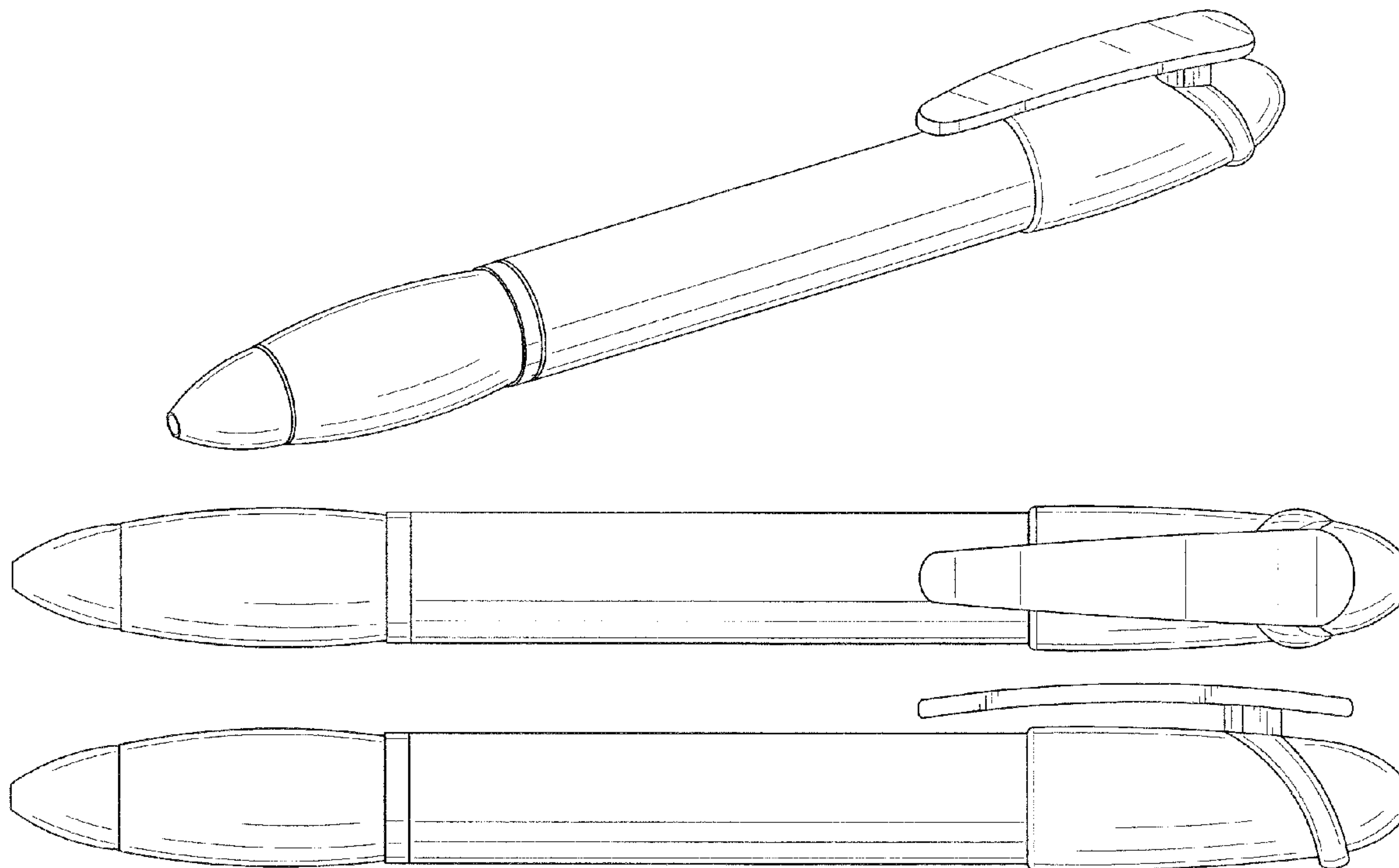
FIG. 7 is a top plan view thereof.

(56) **References Cited**

U.S. PATENT DOCUMENTS

- D471,931 S * 3/2003 Lecce D19/51
- 6,659,673 B1 * 12/2003 Haffner et al. 401/258
- 6,702,500 B1 * 3/2004 Haffner et al. 401/258

1 Claim, 2 Drawing Sheets



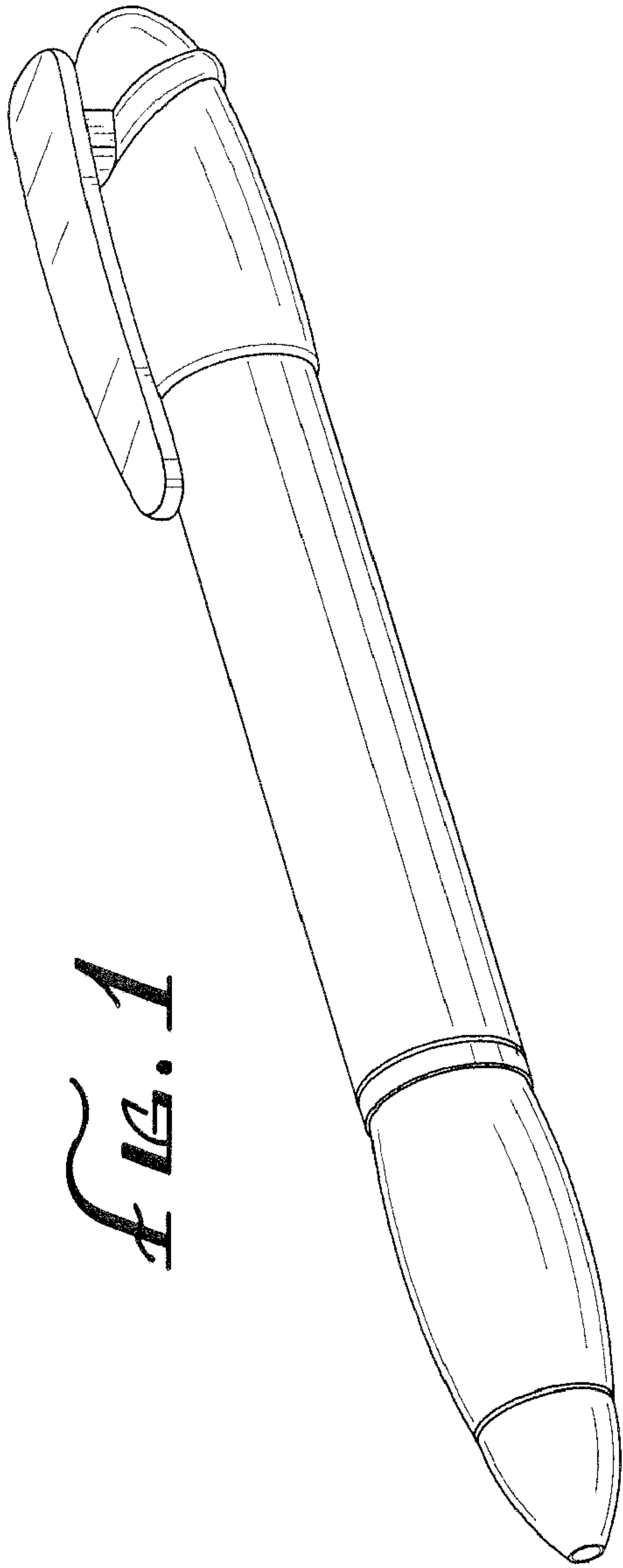


FIG. 1

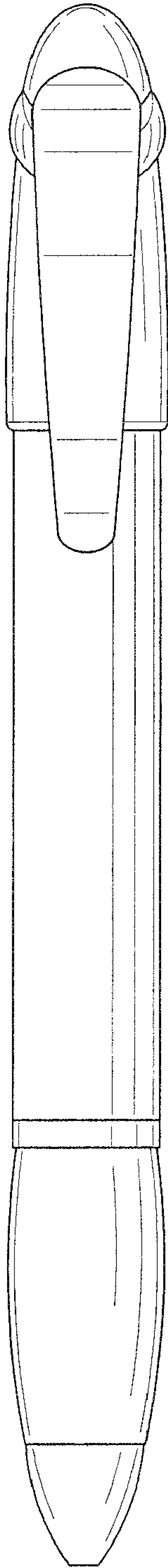


FIG. 2

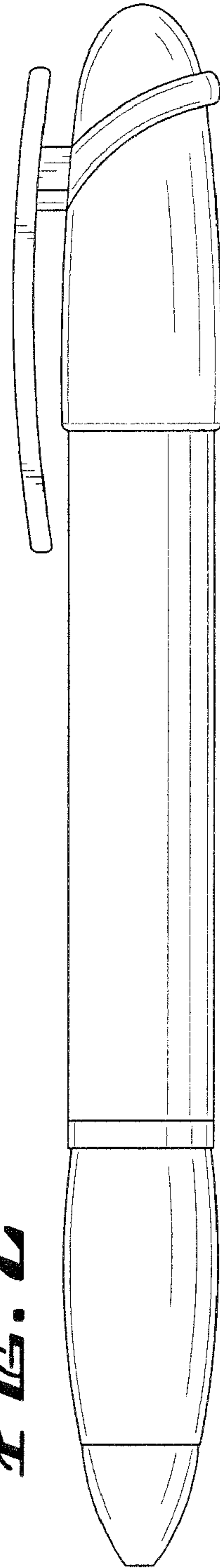


FIG. 3

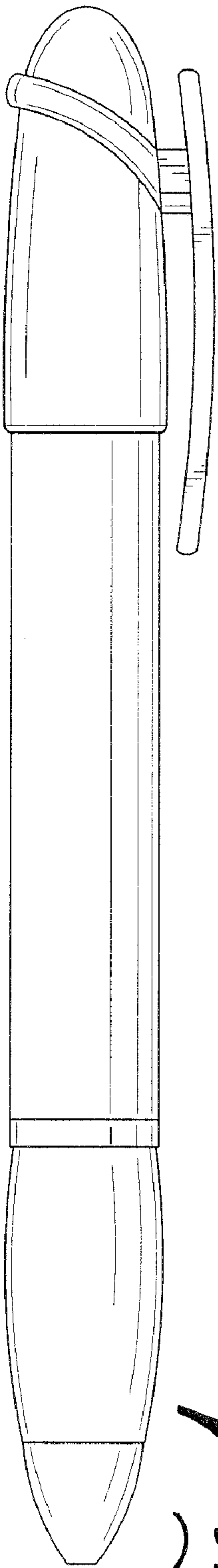


FIG. 4

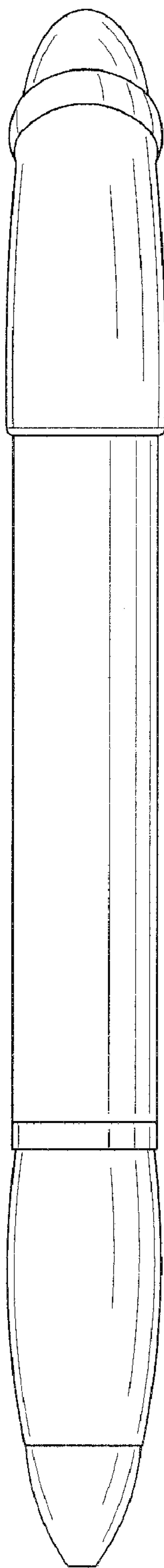


FIG. 5

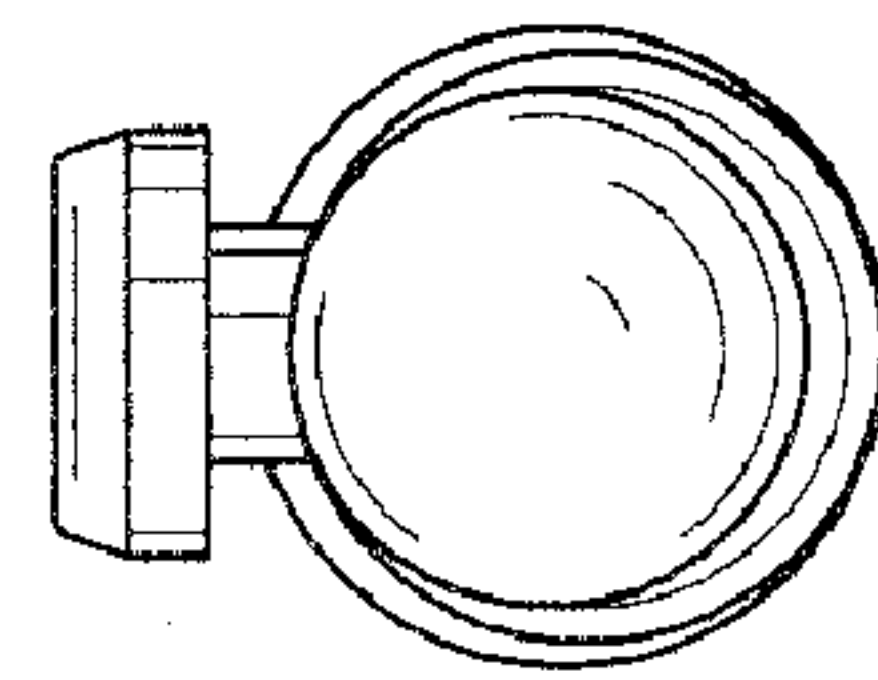


FIG. 6

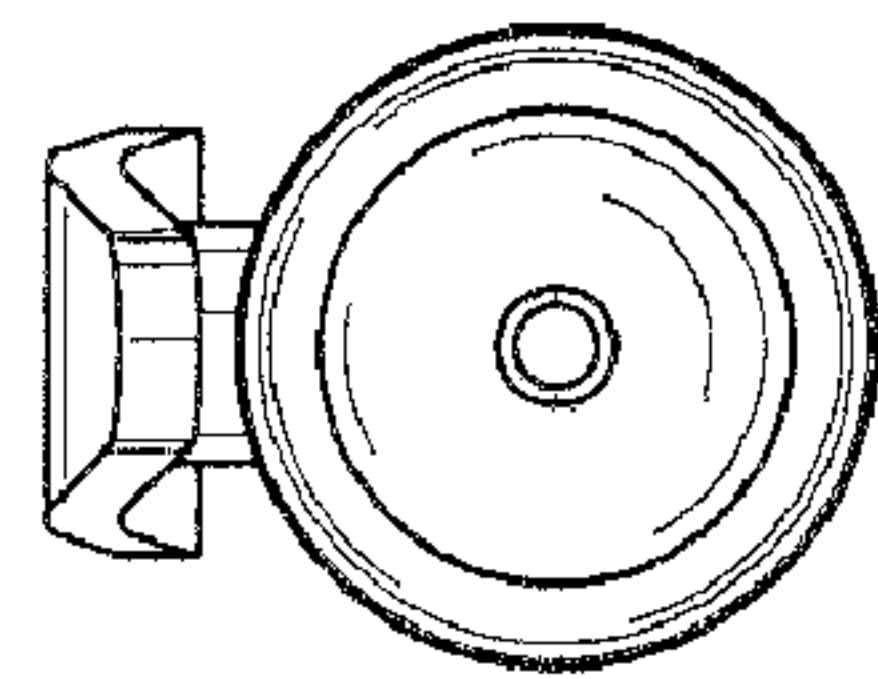


FIG. 7