



US00D568387S

(12) **United States Design Patent**
Watanabe et al.

(10) **Patent No.:** **US D568,387 S**

(45) **Date of Patent:** **** May 6, 2008**

(54) **COPYING MACHINE**

(75) Inventors: **Takamaro Watanabe**, Tokyo (JP);
Hiroaki Sugai, Tokyo (JP); **Ken-ichi Takahashi**, Tokyo (JP); **Satoshi Arai**, Tokyo (JP)

(73) Assignee: **Katsuragawa Denki Kabushiki Kaisha**, Tokyo (JP)

(**) Term: **14 Years**

(21) Appl. No.: **29/254,992**

(22) Filed: **Mar. 3, 2006**

(30) **Foreign Application Priority Data**

Nov. 22, 2005 (JP) 2005-034382

(51) **LOC (8) Cl.** **16-03**

(52) **U.S. Cl.** **D18/39**

(58) **Field of Classification Search** D18/36-41,
D18/44-45; 222/DIG. 1; 271/3.14, 8.1,
271/226, 278; 355/97, 99; 358/1.1; 399/107,
399/16, 75, 81, 130, 151, 361, 365, 367,
399/381-383, 388

See application file for complete search history.

(56) **References Cited**

U.S. PATENT DOCUMENTS

4,397,541 A * 8/1983 Lopata et al. 271/226

5,237,378 A * 8/1993 McEwen D18/39
5,682,227 A * 10/1997 Taguchi et al. 399/362
5,794,107 A * 8/1998 Russell 222/DIG. 1
5,828,939 A * 10/1998 Yoshiuchi et al. 399/388
D438,240 S * 2/2001 Kimura D18/53
D452,874 S * 1/2002 Minakawa et al. D18/39
D494,210 S * 8/2004 Watanabe et al. D18/39

* cited by examiner

Primary Examiner—Caron D. Veynar

Assistant Examiner—Garth Rademaker

(74) *Attorney, Agent, or Firm*—Wenderoth, Lind & Ponack, L.L.P.

(57) **CLAIM**

The ornamental design for a copying machine, as shown and described.

DESCRIPTION

FIG. 1 is a front elevation view of a copying machine in accordance with the present design;

FIG. 2 is a back elevation view thereof;

FIG. 3 is a top plan view thereof;

FIG. 4 is a bottom plan view thereof;

FIG. 5 is a right side elevation view thereof;

FIG. 6 is a left side elevation view thereof; and,

FIG. 7 is a perspective view thereof.

1 Claim, 7 Drawing Sheets

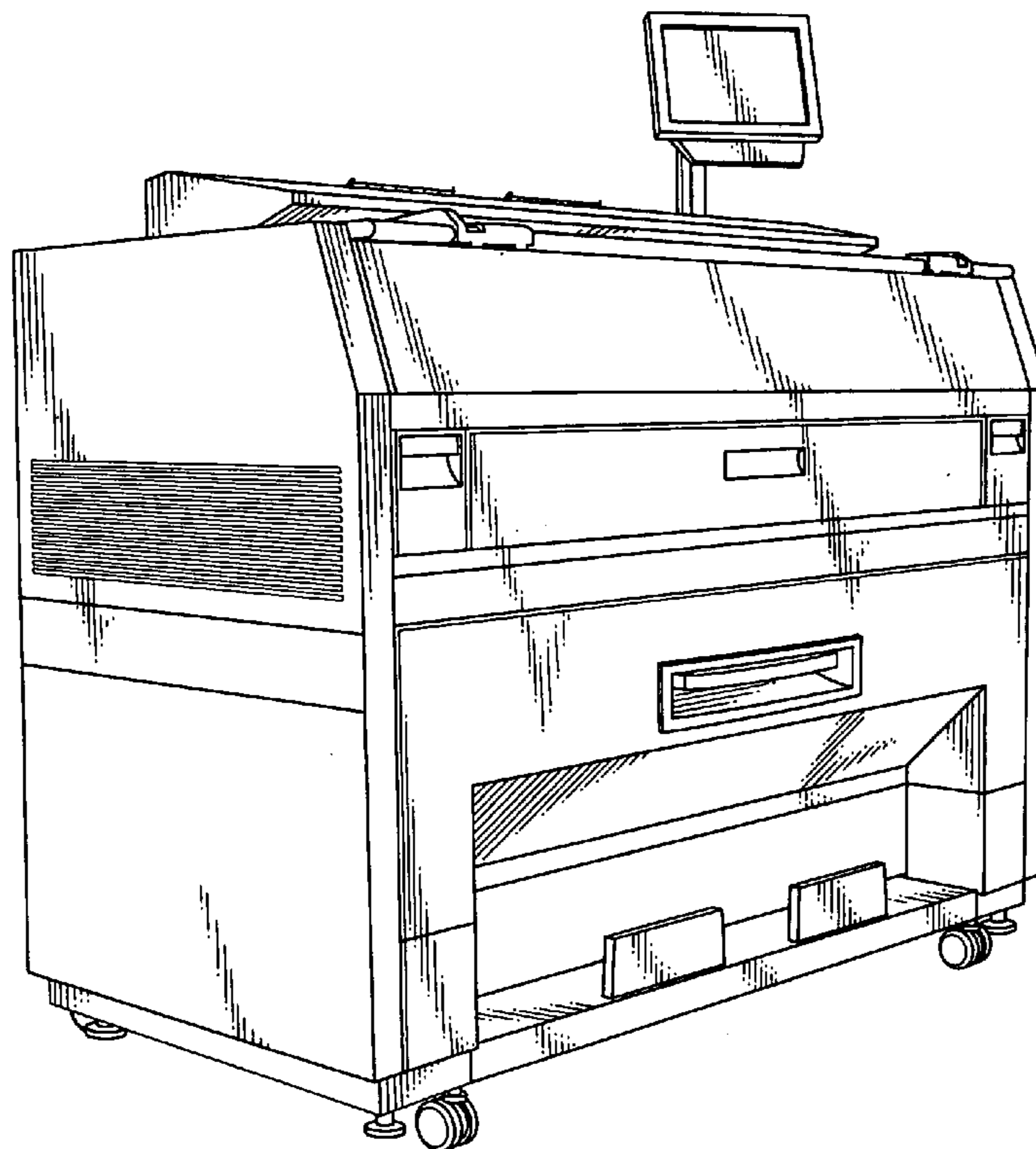


FIG. 1

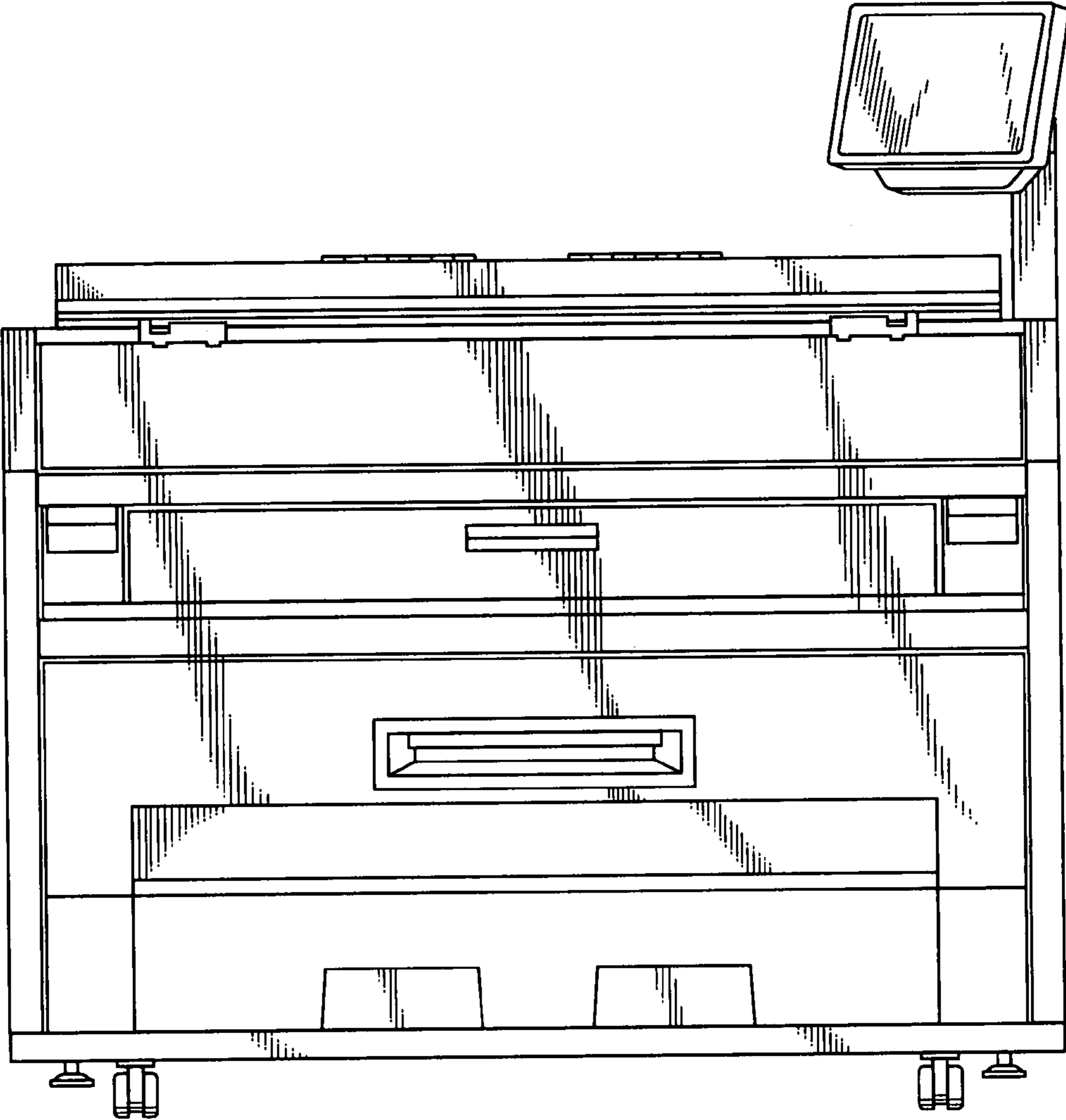


FIG. 2

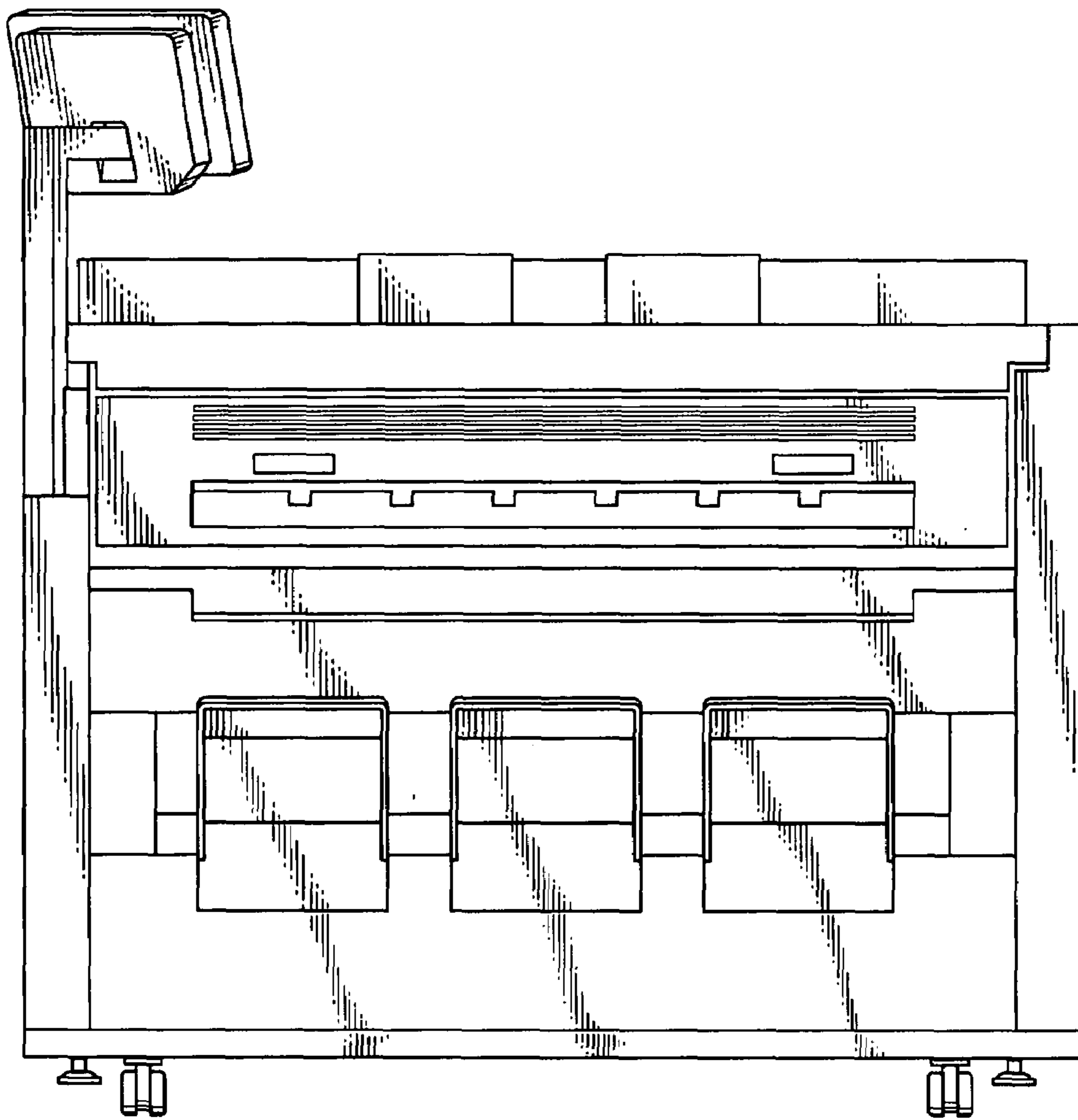


FIG. 3

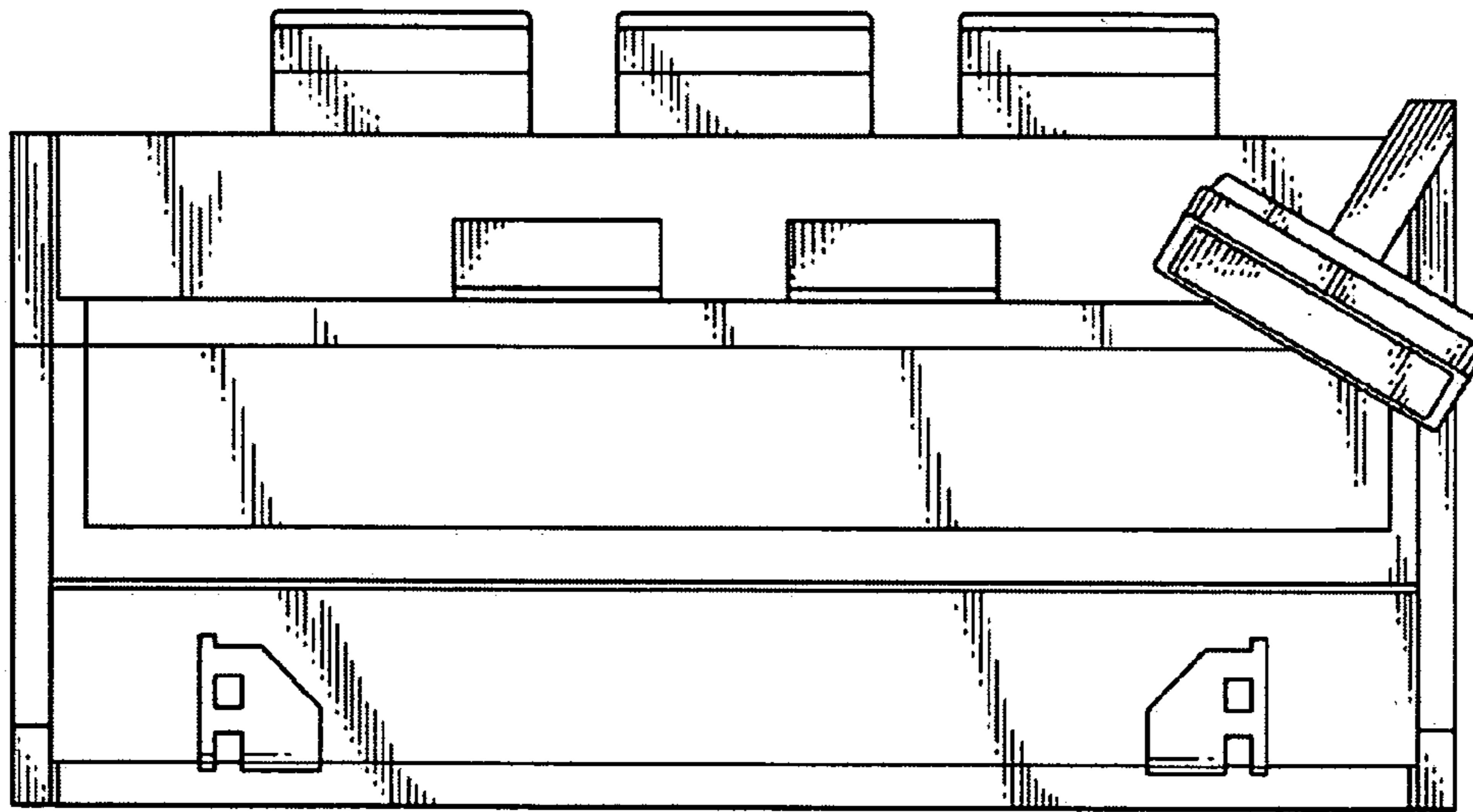


FIG. 4

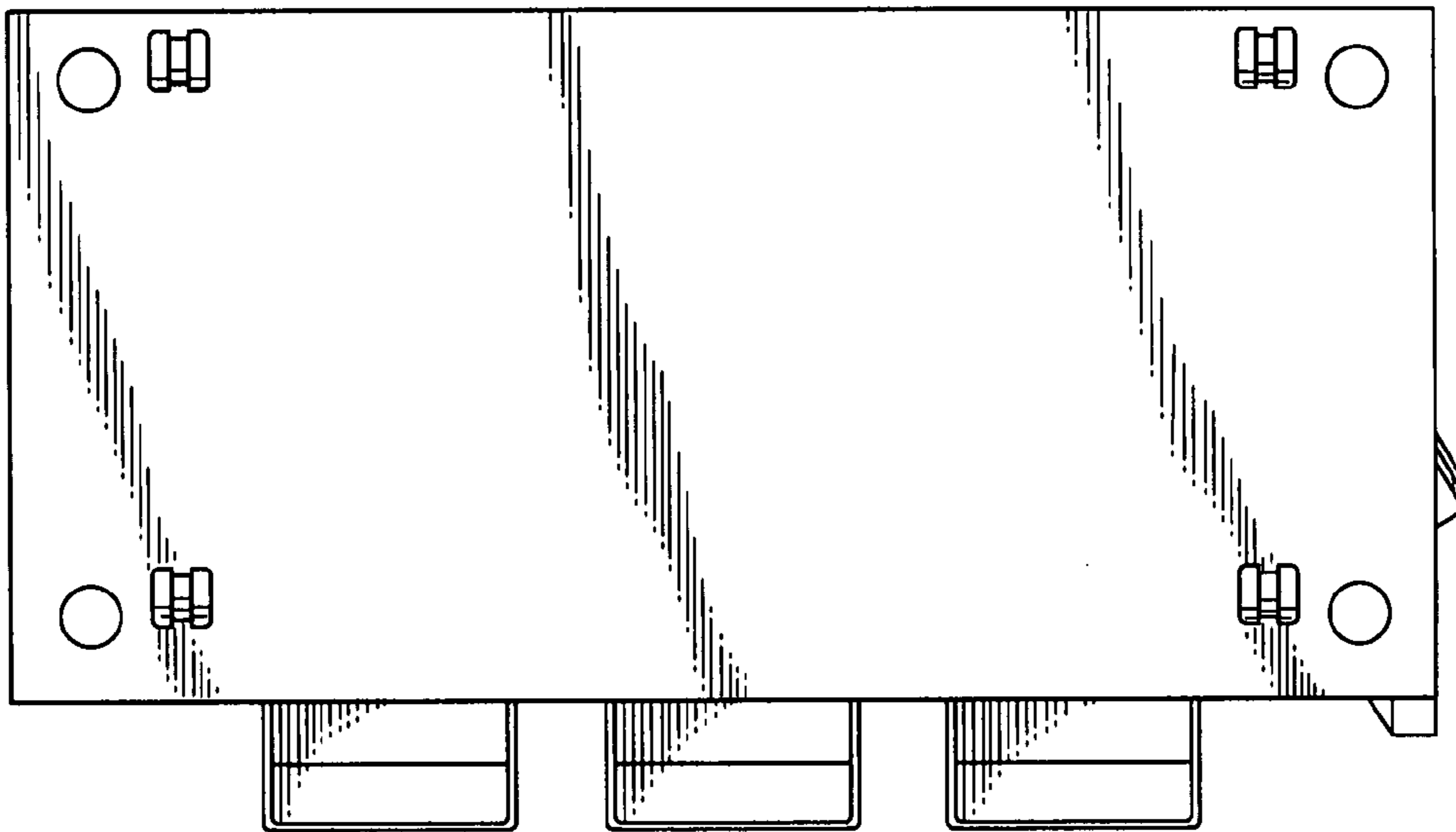


FIG. 5

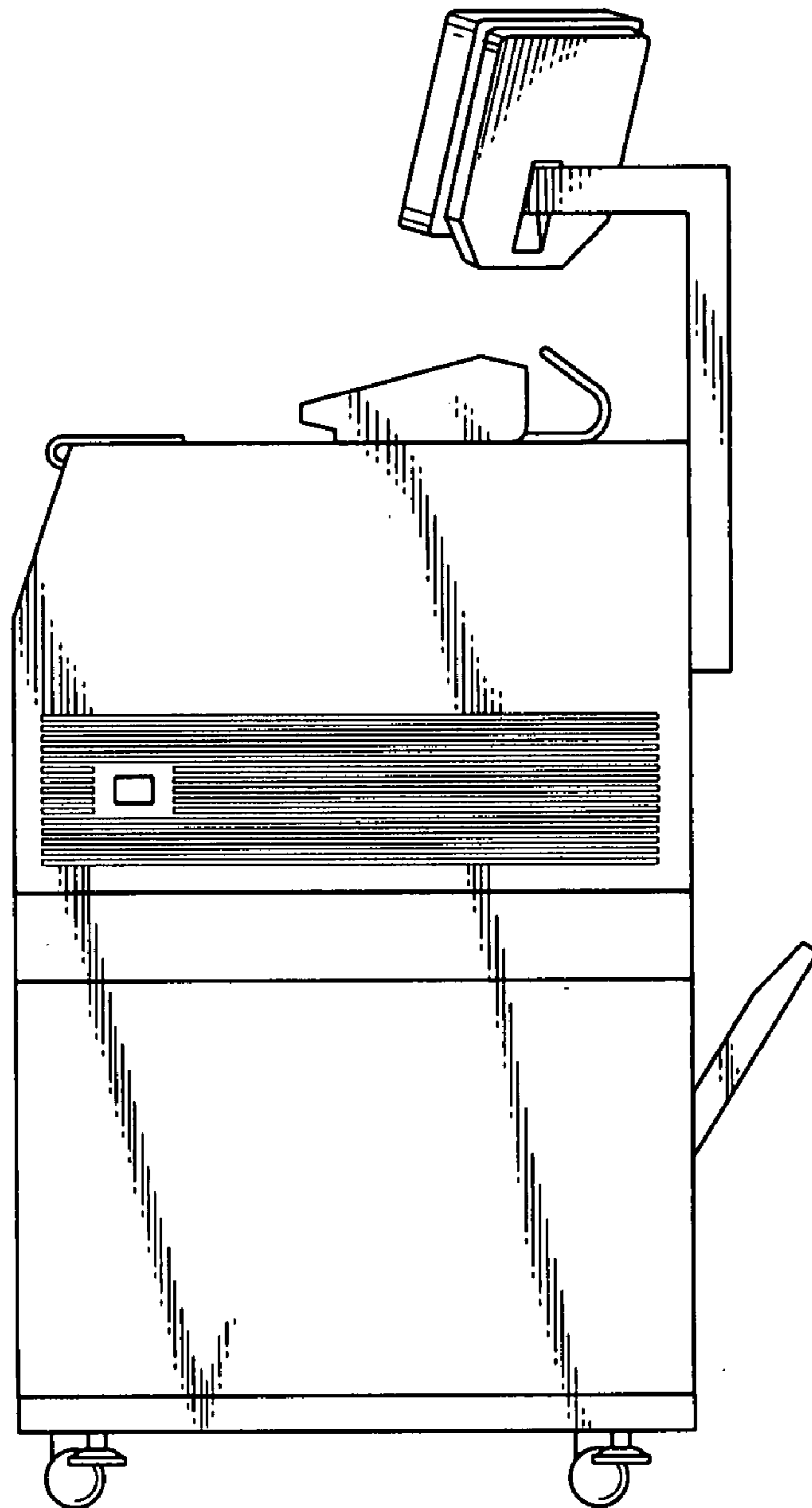


FIG. 6

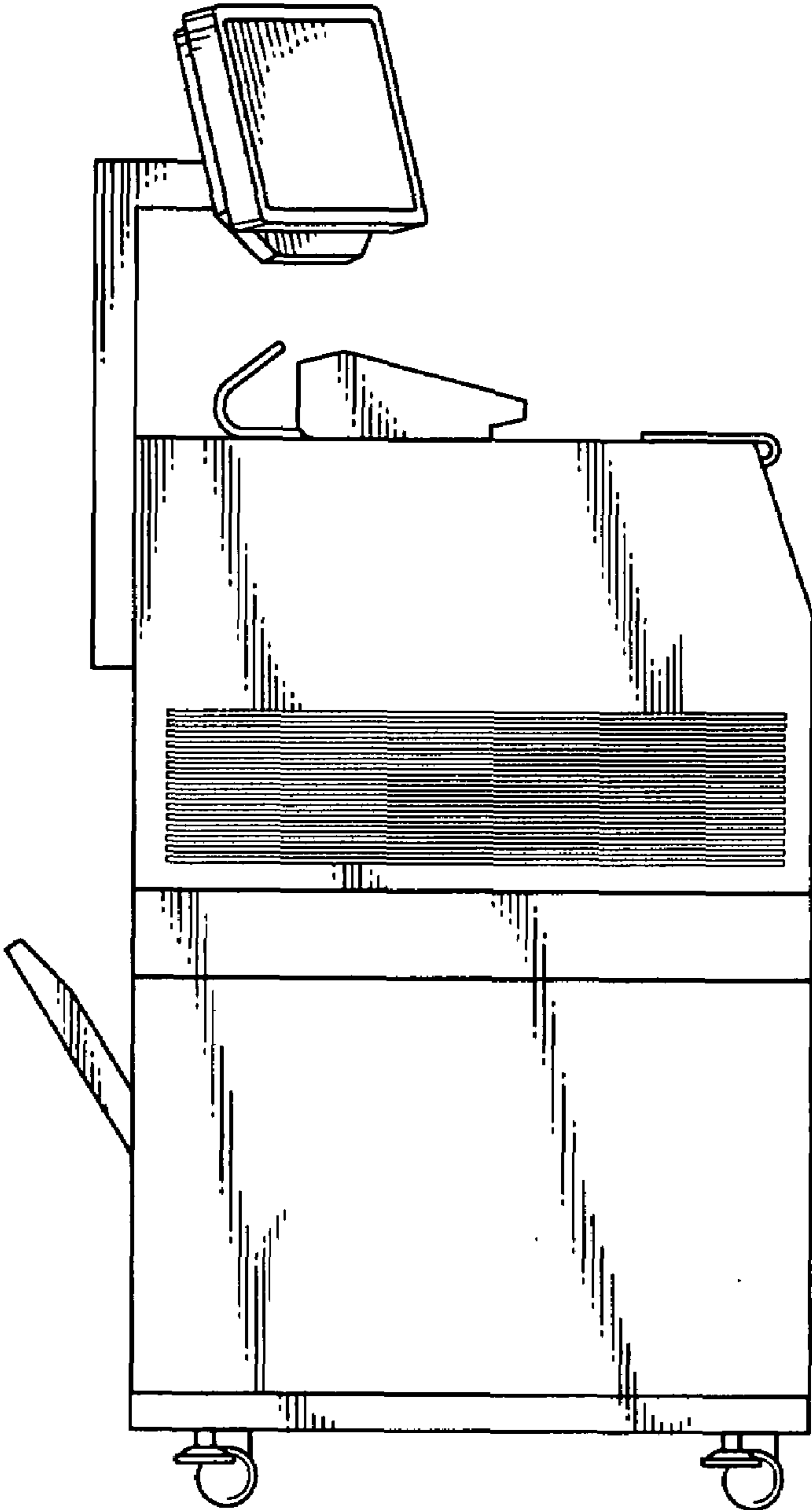


FIG. 7

