



US00D568381S

(12) **United States Design Patent**
Shih

(10) **Patent No.:** **US D568,381 S**

(45) **Date of Patent:** **** May 6, 2008**

(54) **SEAL**

(76) Inventor: **Shiny Shih**, No. 31, Lane 349,
Chungcheng S. Rd., Yungkang City,
Tainan Hsien (TW)

(**) Term: **14 Years**

(21) Appl. No.: **29/283,307**

(22) Filed: **Aug. 10, 2007**

(51) **LOC (8) Cl.** **19-02**

(52) **U.S. Cl.** **D18/15**

(58) **Field of Classification Search** D18/14-21;
101/334, 327-328, 405, 352.07, DIG. 30;
118/264, 268; D5/4-6, 20-25, 62
See application file for complete search history.

(56) **References Cited**

U.S. PATENT DOCUMENTS

D451,945 S *	12/2001	MacNeil et al.	D18/15
D452,262 S *	12/2001	MacNeil et al.	D18/15
D493,191 S *	7/2004	Sculler et al.	D18/15
D493,192 S *	7/2004	Sculler et al.	D18/15
D513,037 S *	12/2005	Faber	D18/15
D516,117 S *	2/2006	Shih	D18/15
D518,087 S *	3/2006	Shih	D18/15
D518,506 S *	4/2006	Faber	D18/15
D523,892 S *	6/2006	Faber	D18/15

7,066,089 B1 *	6/2006	Shih	101/334
7,086,331 B2 *	8/2006	Moody	101/334
D538,840 S *	3/2007	Shih	D18/15
D539,836 S *	4/2007	Faber	D18/15
D545,352 S *	6/2007	Treml	D18/15
D545,353 S *	6/2007	Treml	D18/15

* cited by examiner

Primary Examiner—Charles A. Rademaker

(74) *Attorney, Agent, or Firm*—Alan Kamrath; Kamrath & Associates PA

(57) **CLAIM**

The ornamental design for a seal, as shown.

DESCRIPTION

FIG. 1 is a perspective view of a seal showing my new design;

FIG. 2 is a front view thereof;

FIG. 3 is a rear view thereof;

FIG. 4 is a left side view thereof;

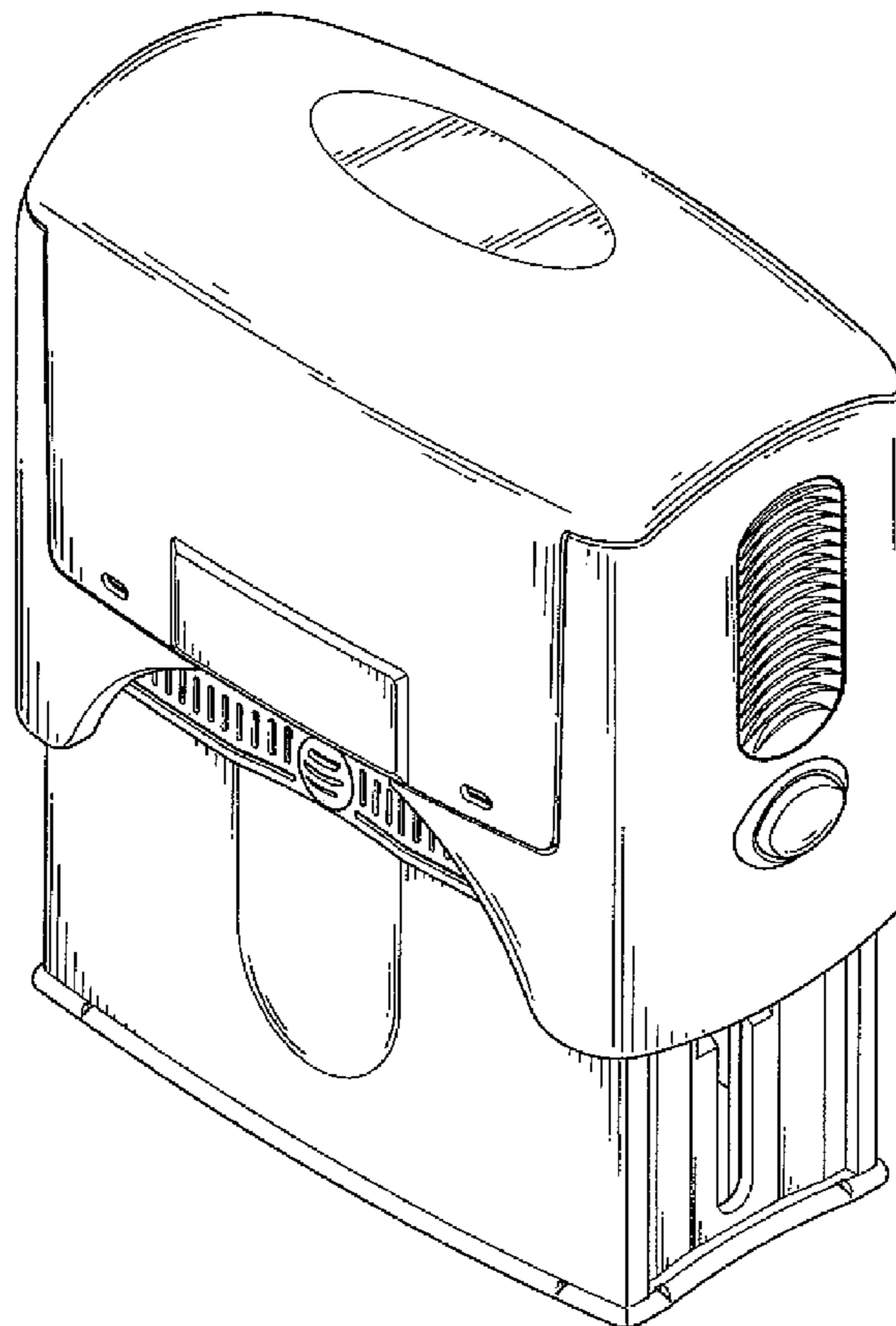
FIG. 5 is a right side view thereof;

FIG. 6 is a top view thereof;

FIG. 7 is a bottom view thereof; and,

FIG. 8 is an another perspective view thereof.

1 Claim, 6 Drawing Sheets



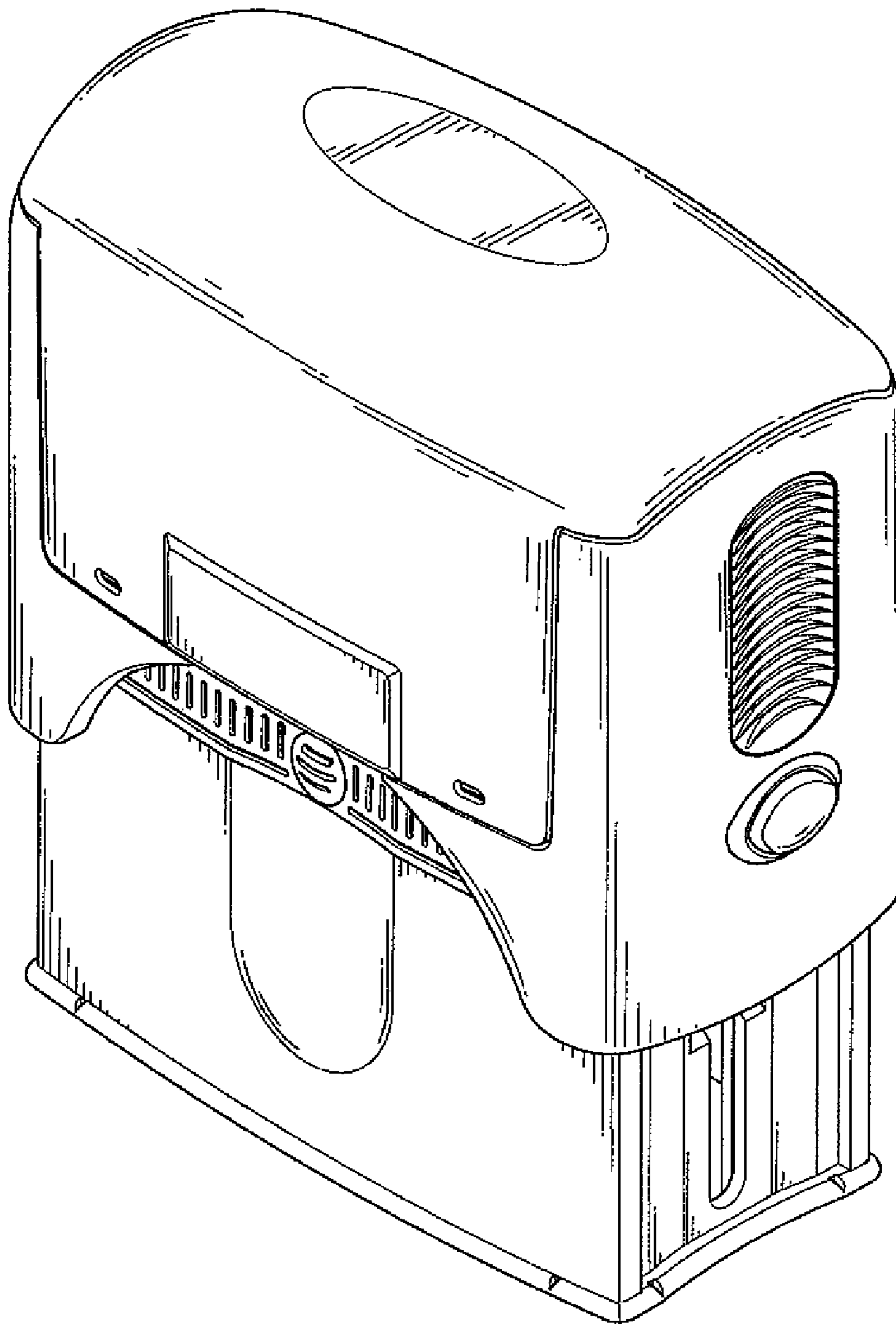


FIG. 1

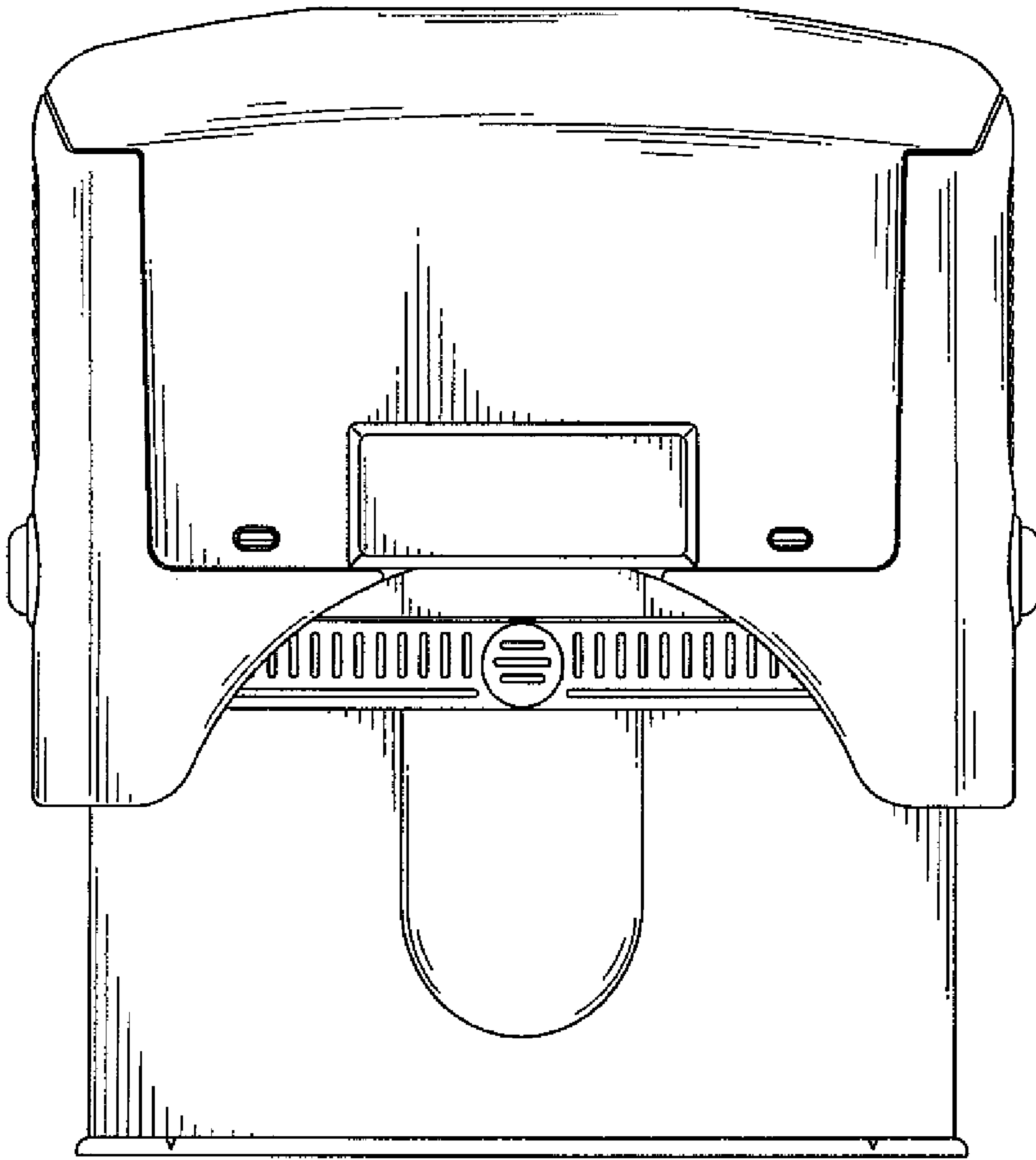


FIG.2

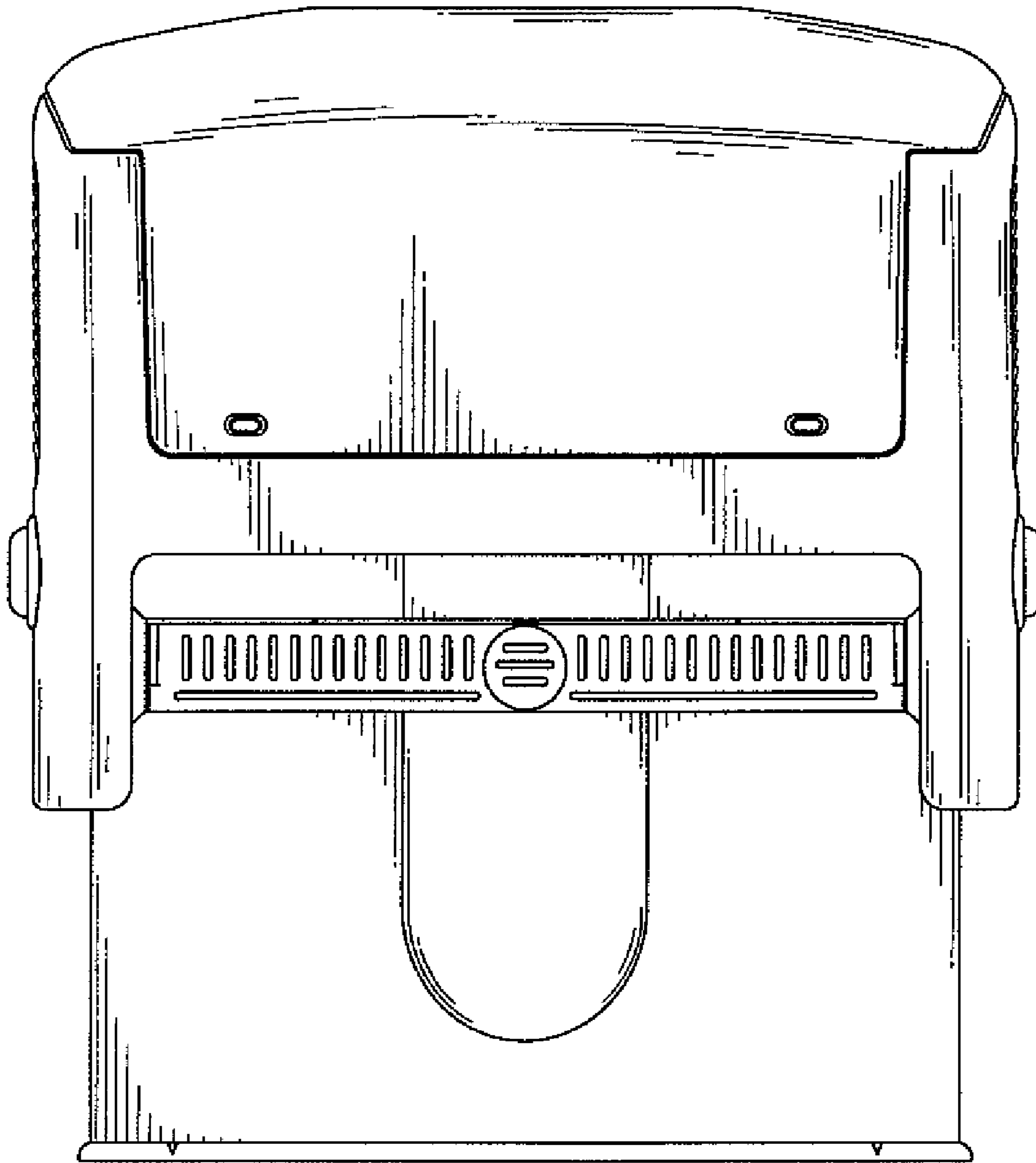


FIG.3

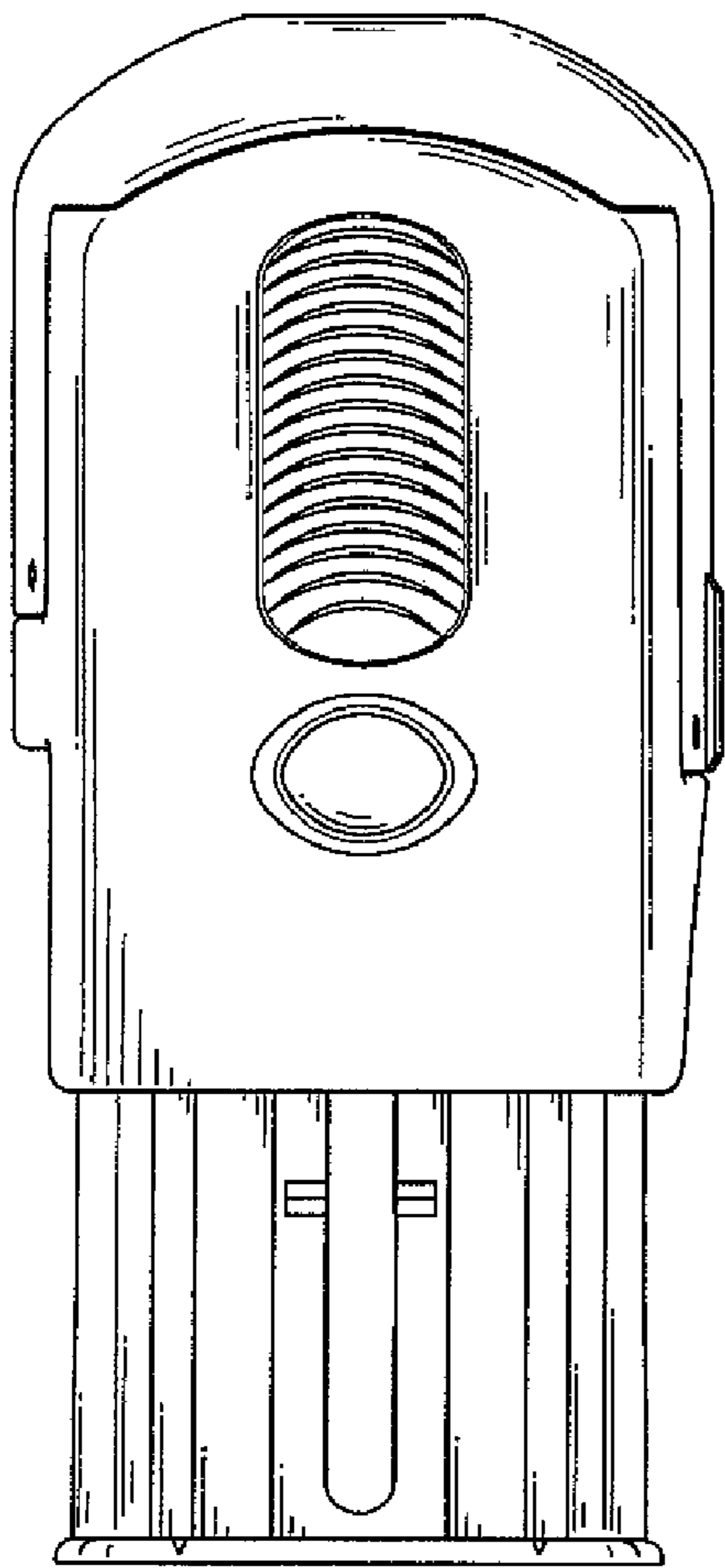


FIG. 4

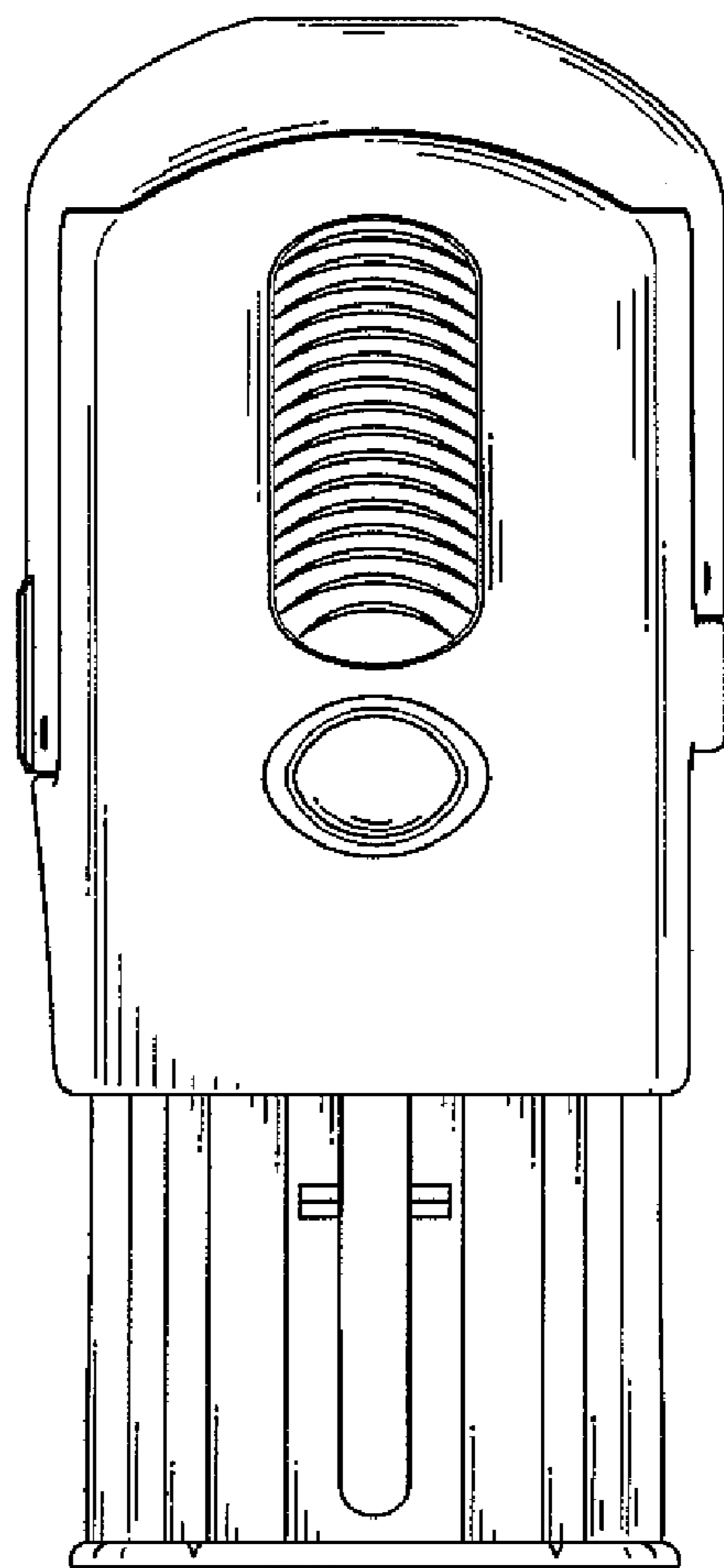


FIG. 5

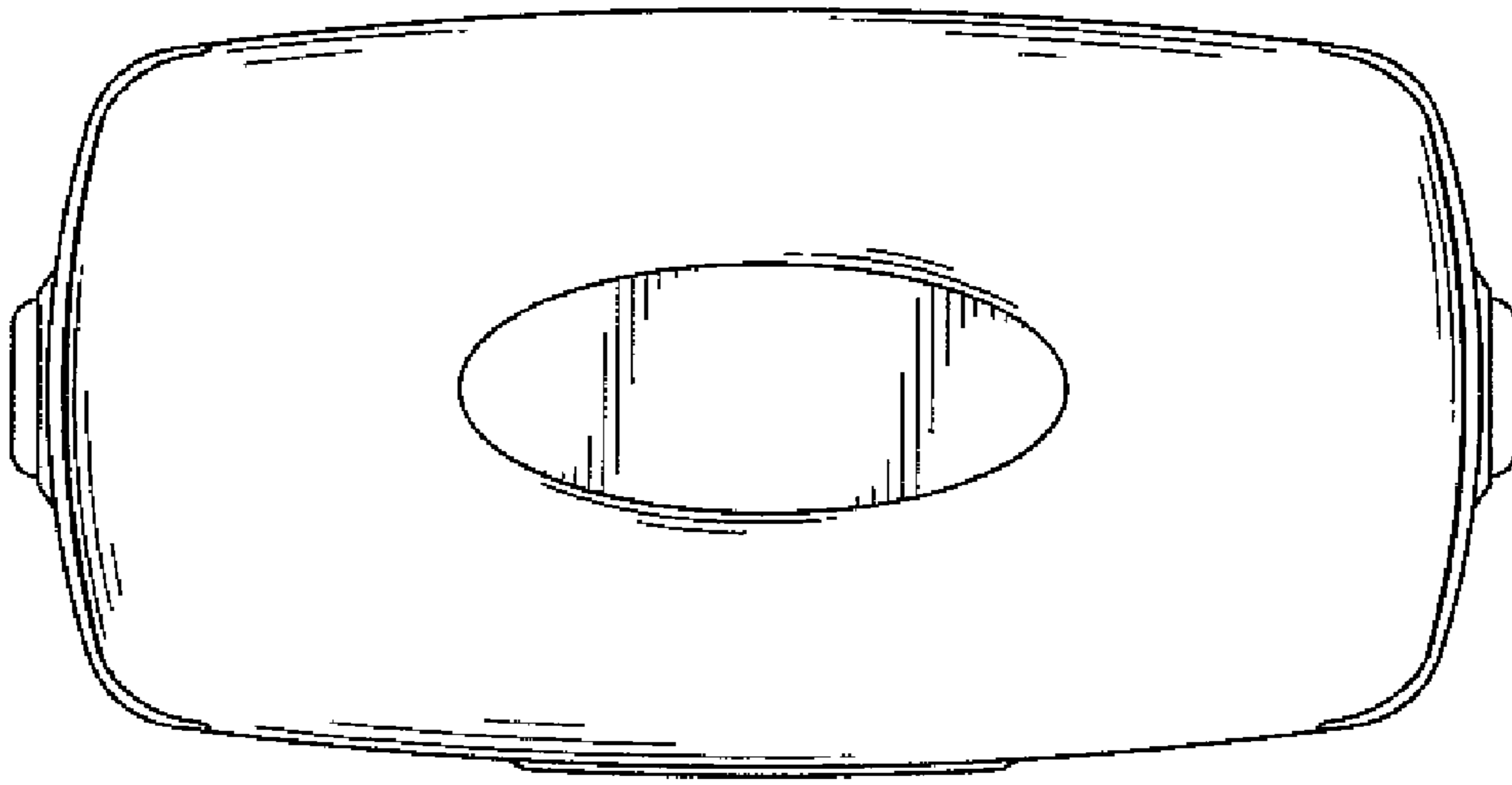


FIG. 6

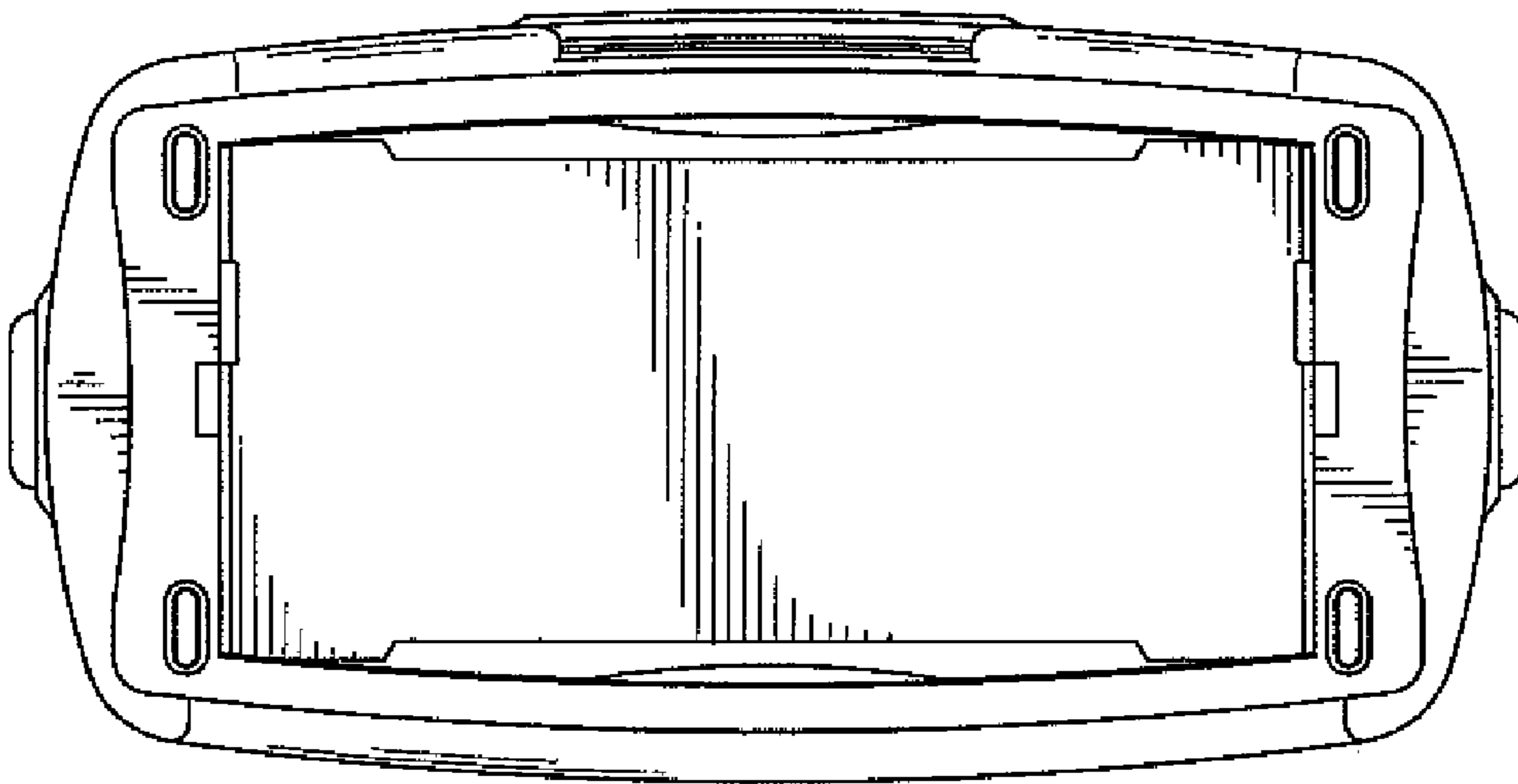


FIG. 7

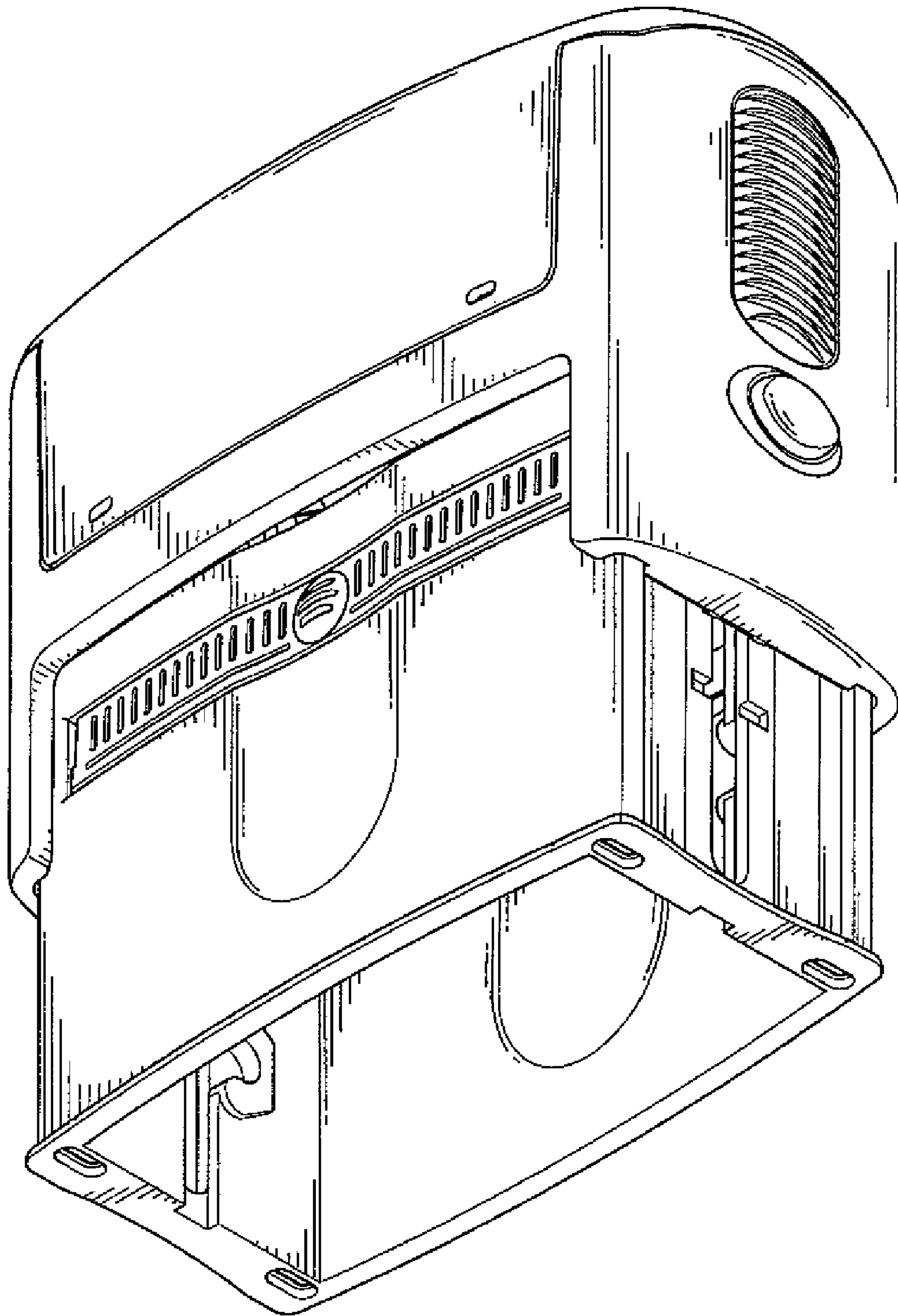


FIG. 8