



US00D568380S

(12) **United States Design Patent**
Ono et al.

(10) **Patent No.:** **US D568,380 S**

(45) **Date of Patent:** **** May 6, 2008**

(54) **ELECTRONIC CALCULATOR WITH
PRINTER**

D494,208 S * 8/2004 Wada et al. D18/7
D546,376 S * 7/2007 Ono et al. D18/7
D546,377 S * 7/2007 Ono et al. D18/7

(75) Inventors: **Junichi Ono**, Higashikurume (JP); **Yo Wada**, Tokyo (JP); **Shuji Shibuki**, Mitaka (JP)

* cited by examiner

Primary Examiner—Caron D. Veynar
Assistant Examiner—Garth Rademaker

(73) Assignee: **Casio Keisanki Kabushiki Kaisha**, Tokyo (JP)

(74) *Attorney, Agent, or Firm*—Frishauf, Holtz, Goodman & Chick, P.C.

(**) Term: **14 Years**

(57) **CLAIM**

(21) Appl. No.: **29/286,644**

The ornamental design for an electronic calculator with printer, as shown and described.

(22) Filed: **May 15, 2007**

DESCRIPTION

(51) **LOC (8) Cl.** **18-01**

(52) **U.S. Cl.** **D18/7**

(58) **Field of Classification Search** D14/336,
D14/371, 373–376, 385–387, 399; D18/3.1–3.3,
D18/4.1–4.6, 6–8, 11, 12, 12.1–12.3, 19;
D21/324, 329, 332, 333; D99/28, 34–36,
D99/43; 235/1 E, 2, 7 R, 12, 22, 33, 51,
235/52; 705/12, 15–18, 43

See application file for complete search history.

FIG. 1 is a front, right side, bottom perspective view of an electronic calculator with printer showing our new design; FIG. 2 is a front elevational view thereof; FIG. 3 is a rear elevational view thereof; FIG. 4 is a left side view thereof; FIG. 5 is a right side view thereof; FIG. 6 is a top plan view thereof; FIG. 7 is a bottom plan view thereof; FIG. 8 is a front, right side, bottom perspective view thereof, shown in an alternate state; and, FIG. 9 is a front, right side, bottom perspective view thereof, shown in an environment of use.

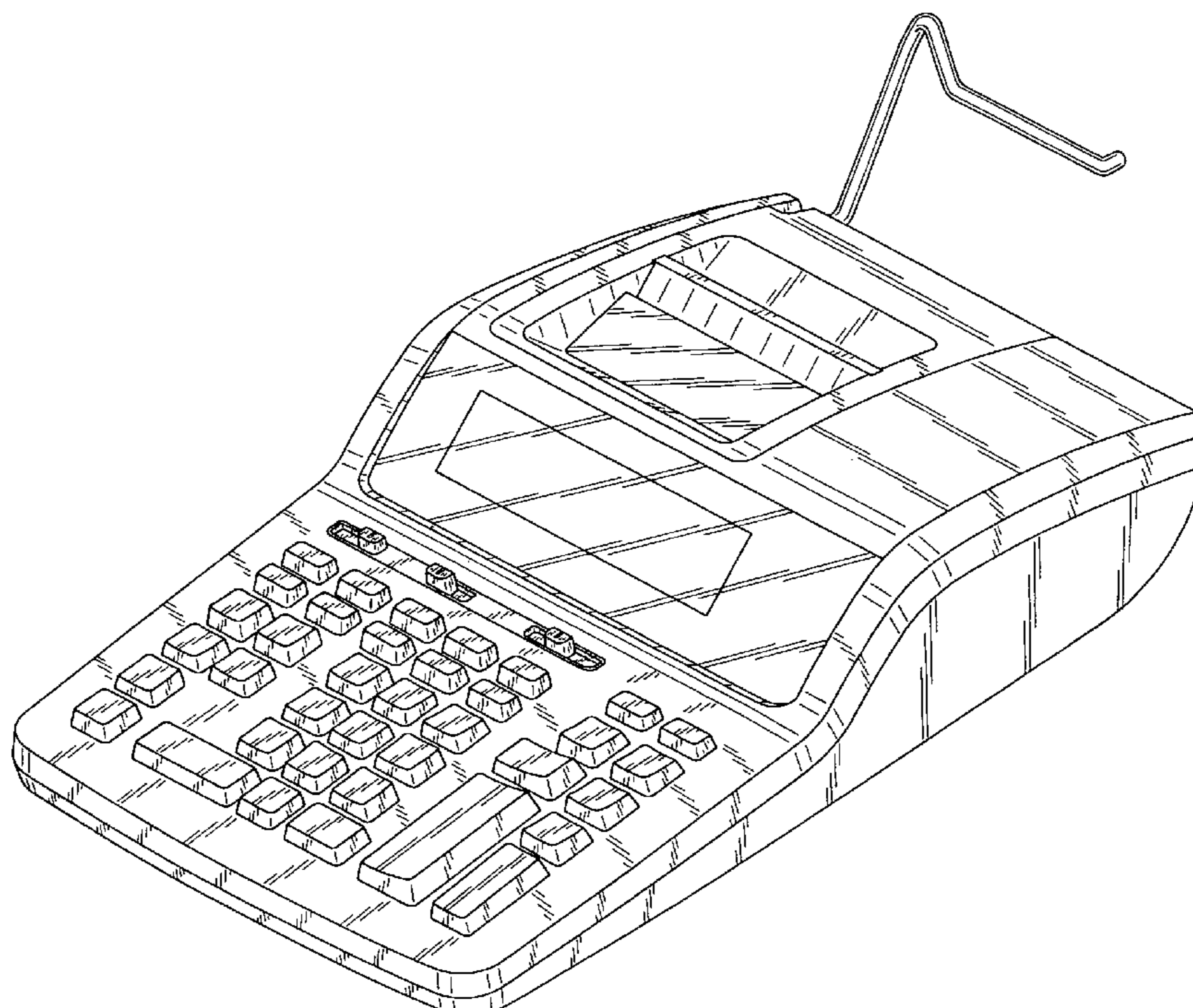
The broken lines depict environmental subject matter only and form no part of the claimed design.

(56) **References Cited**

U.S. PATENT DOCUMENTS

D353,613 S * 12/1994 Miyake et al. D18/4.4
D372,042 S * 7/1996 Mizusugi et al. D18/4.1
D441,008 S * 4/2001 Matsuda et al. D18/7
D442,618 S * 5/2001 Tamaki D18/7
D458,294 S * 6/2002 Makidera D18/7
D459,384 S * 6/2002 Ohki D18/7
D468,341 S * 1/2003 Nishida D18/7

1 Claim, 8 Drawing Sheets



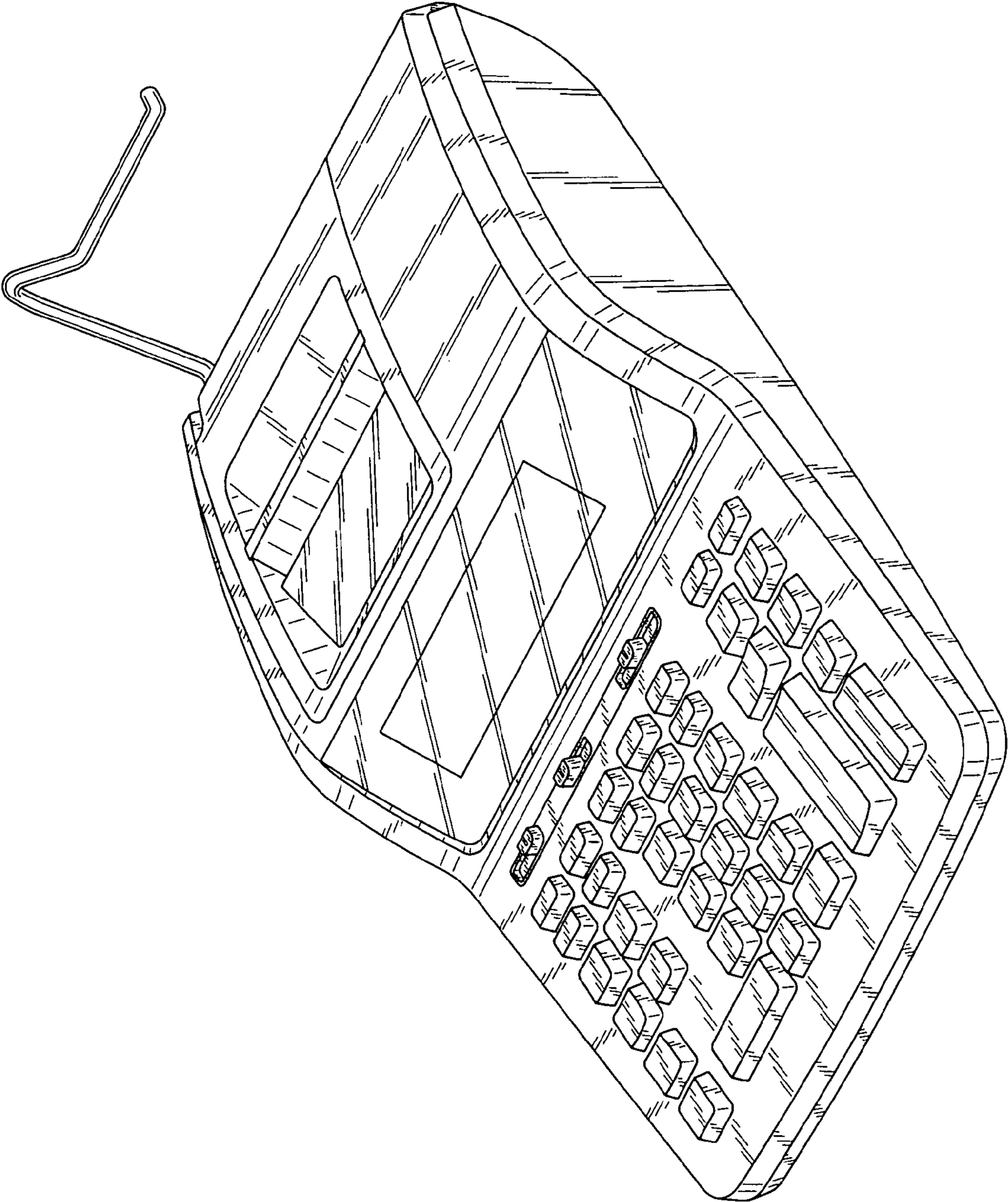


FIG. 1

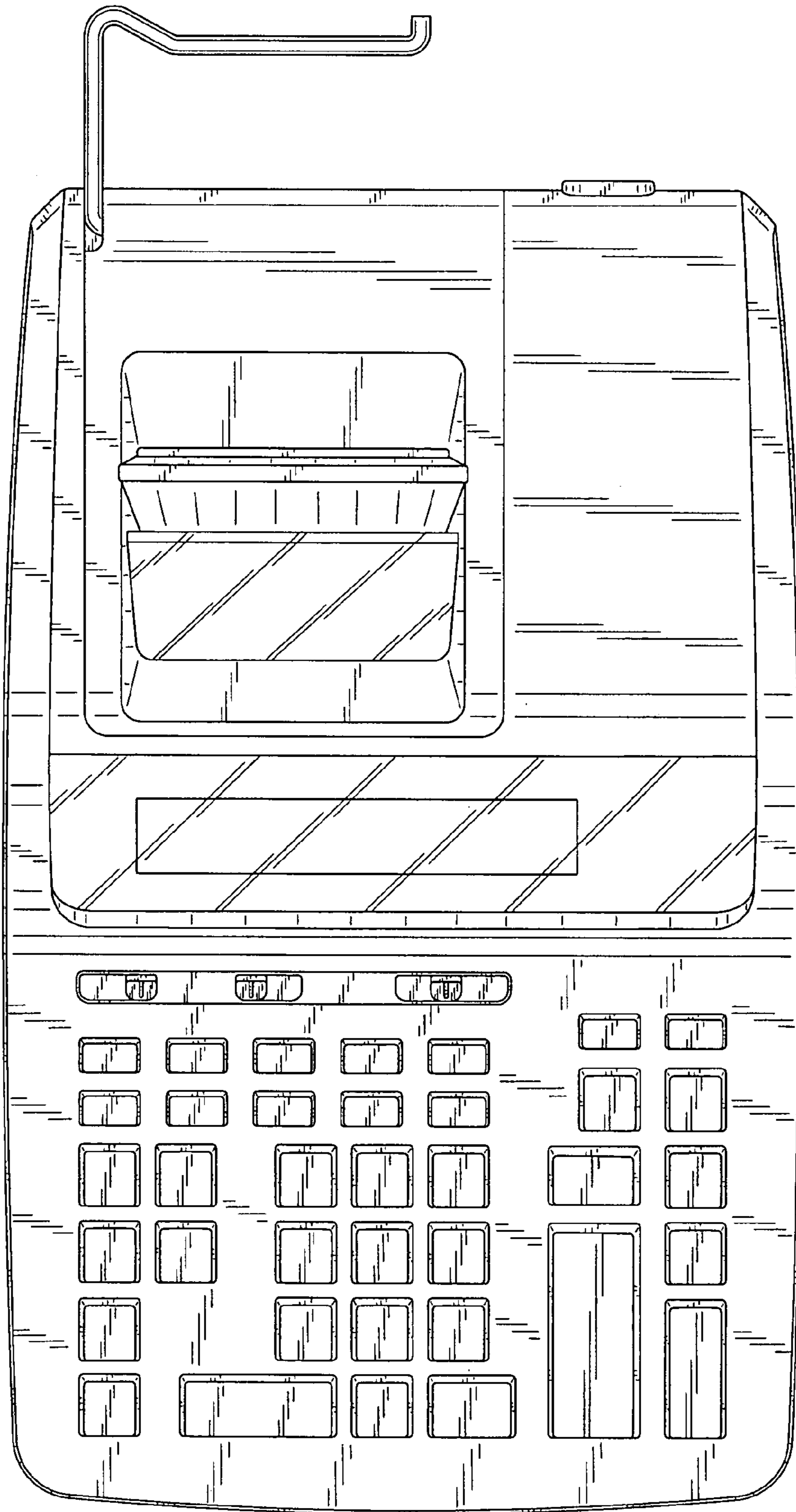


FIG. 2

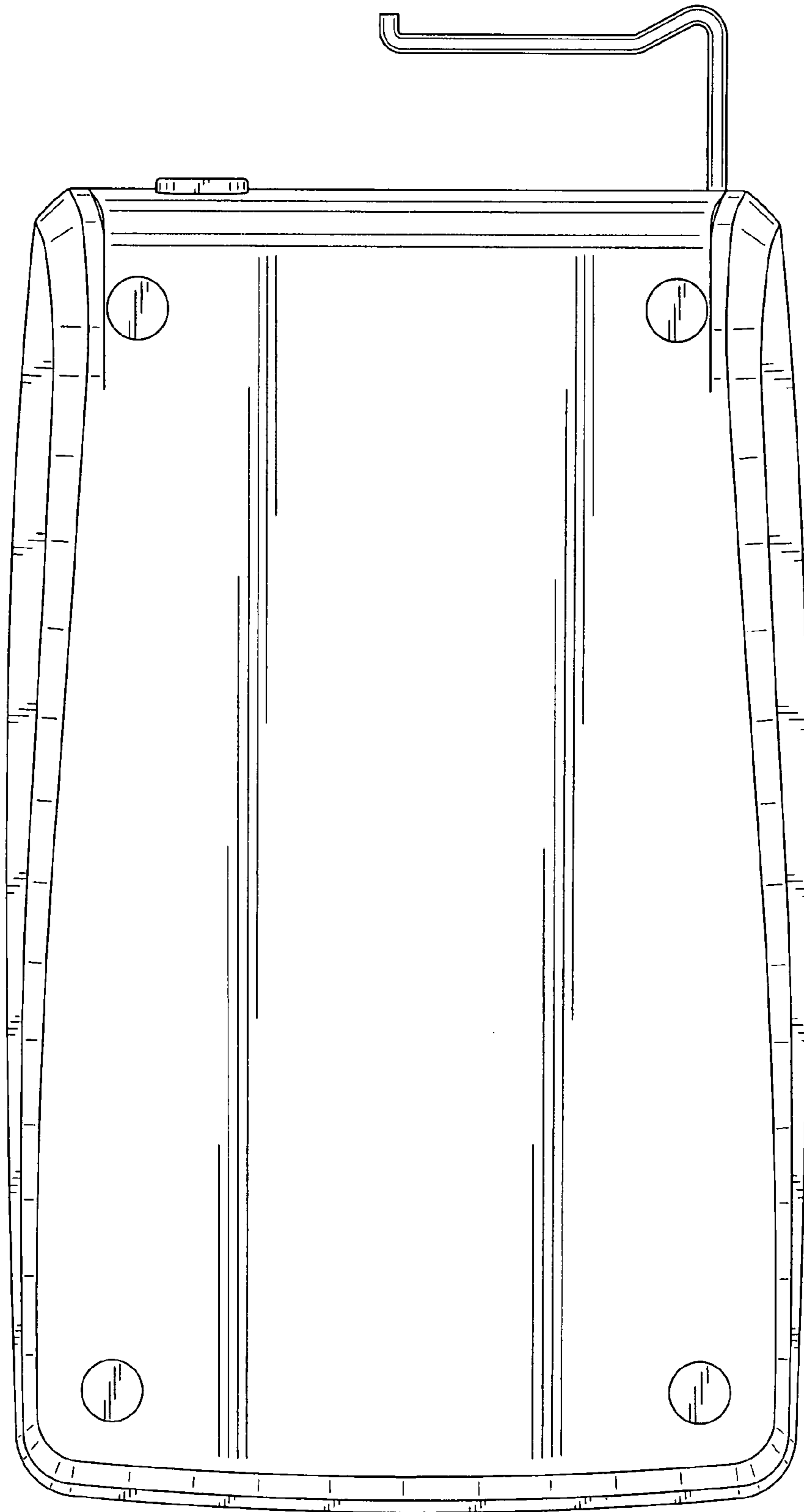


FIG. 3

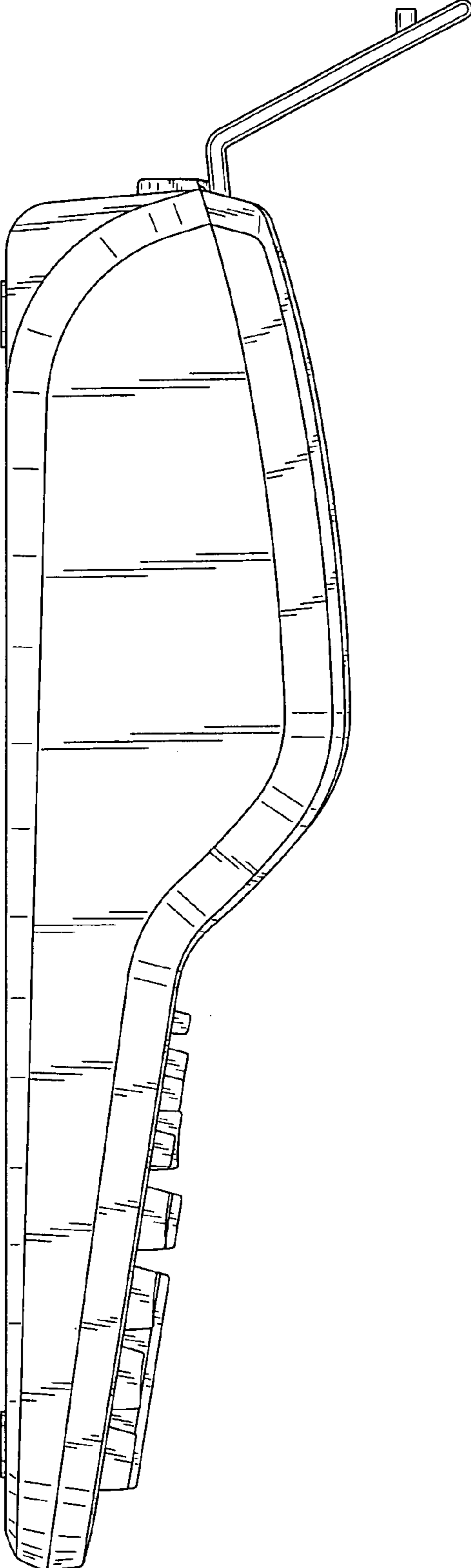


FIG. 4

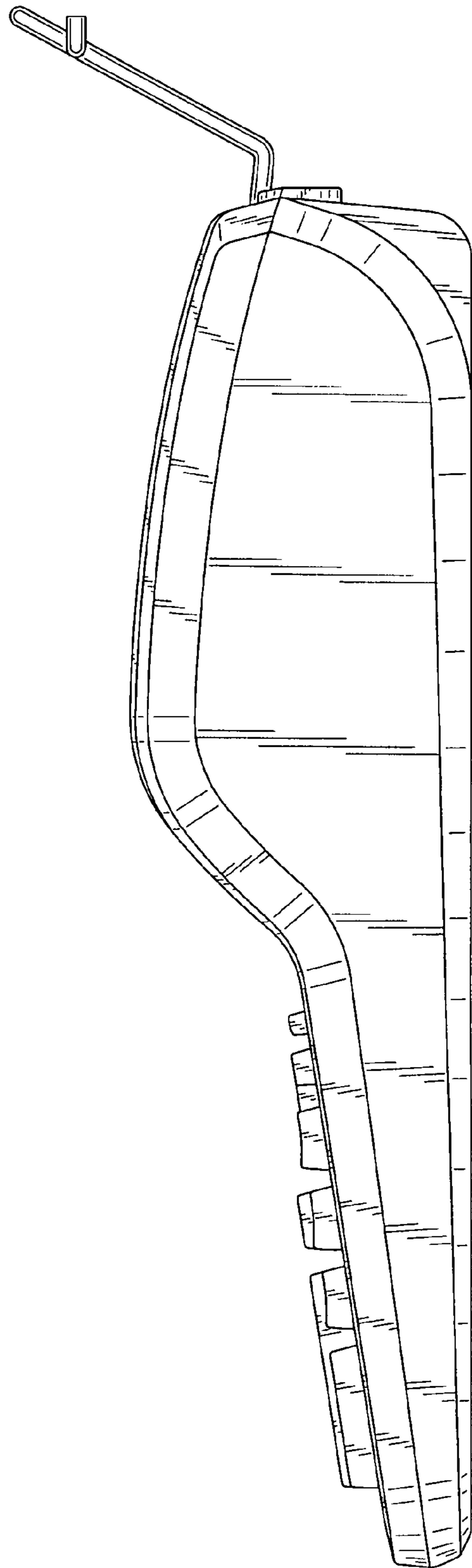


FIG. 5

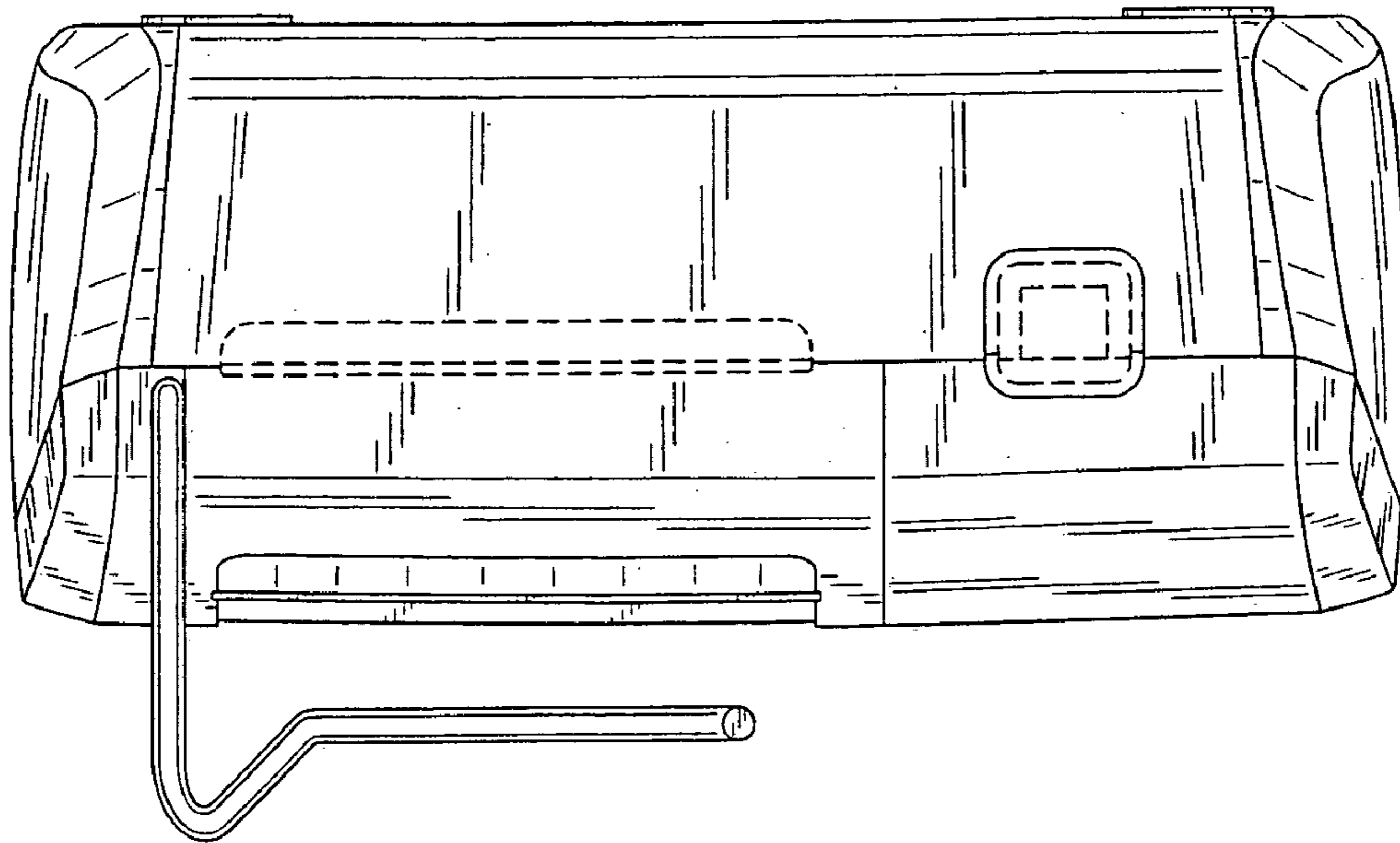


FIG. 6

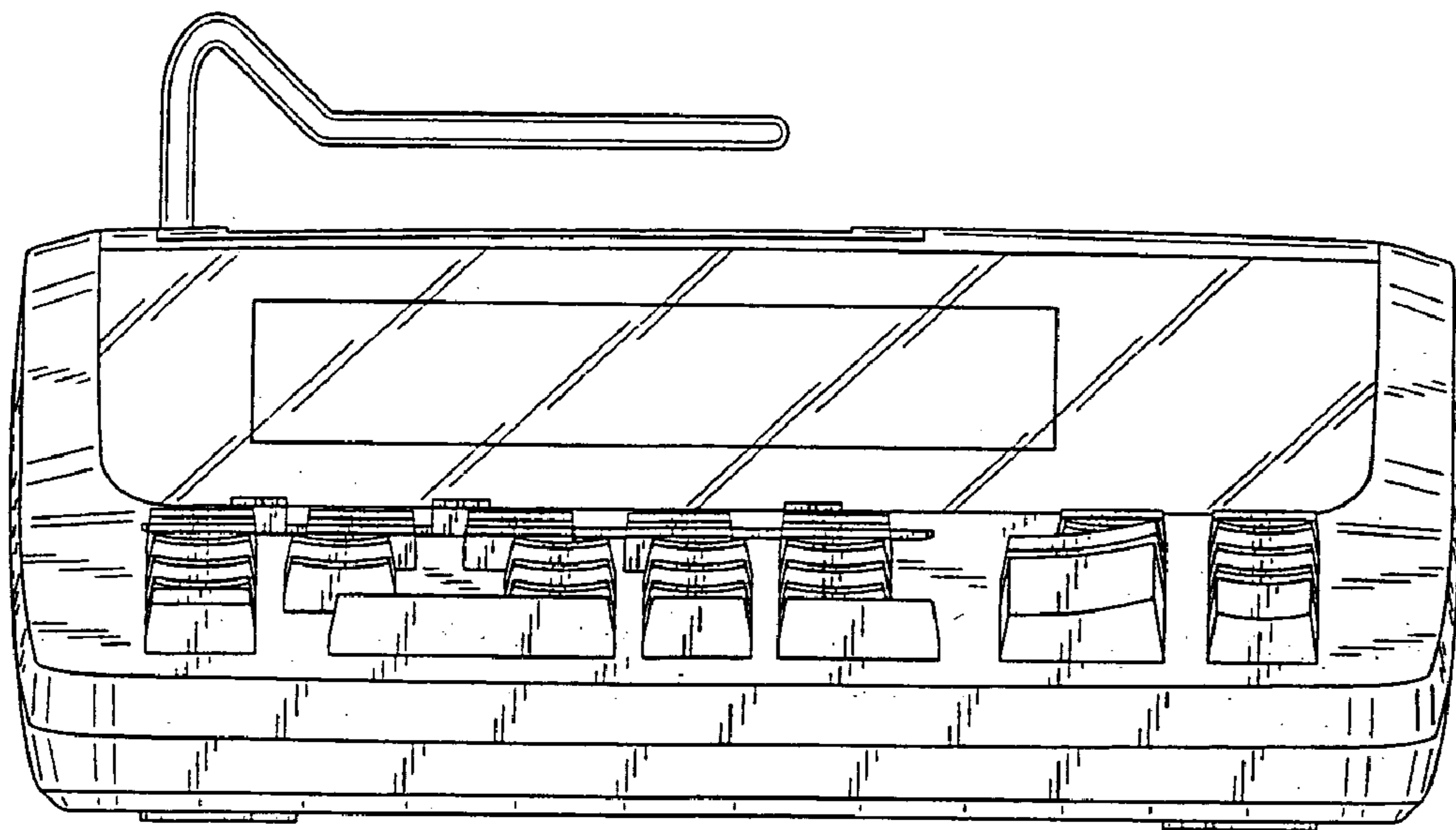


FIG. 7

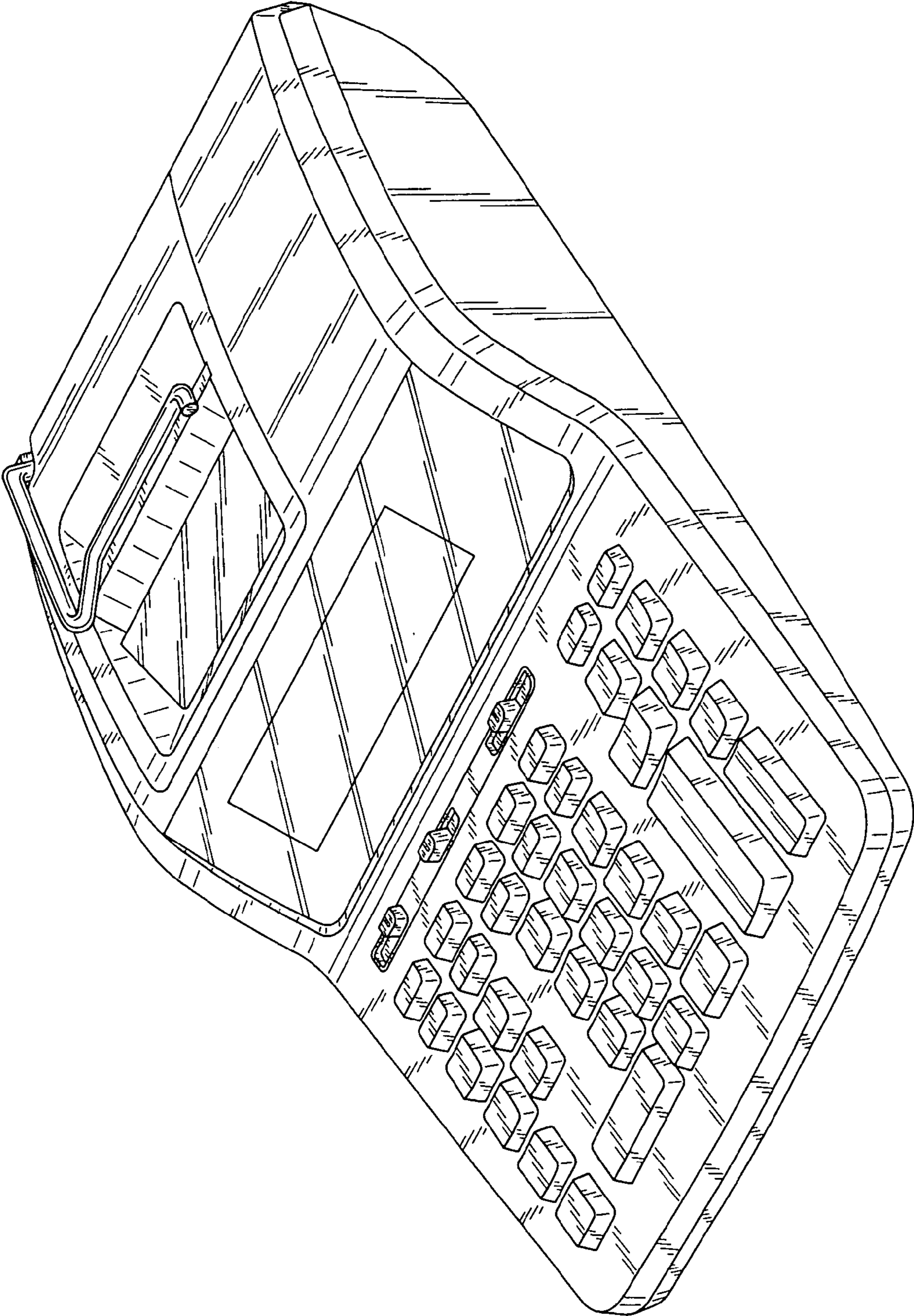


FIG. 8

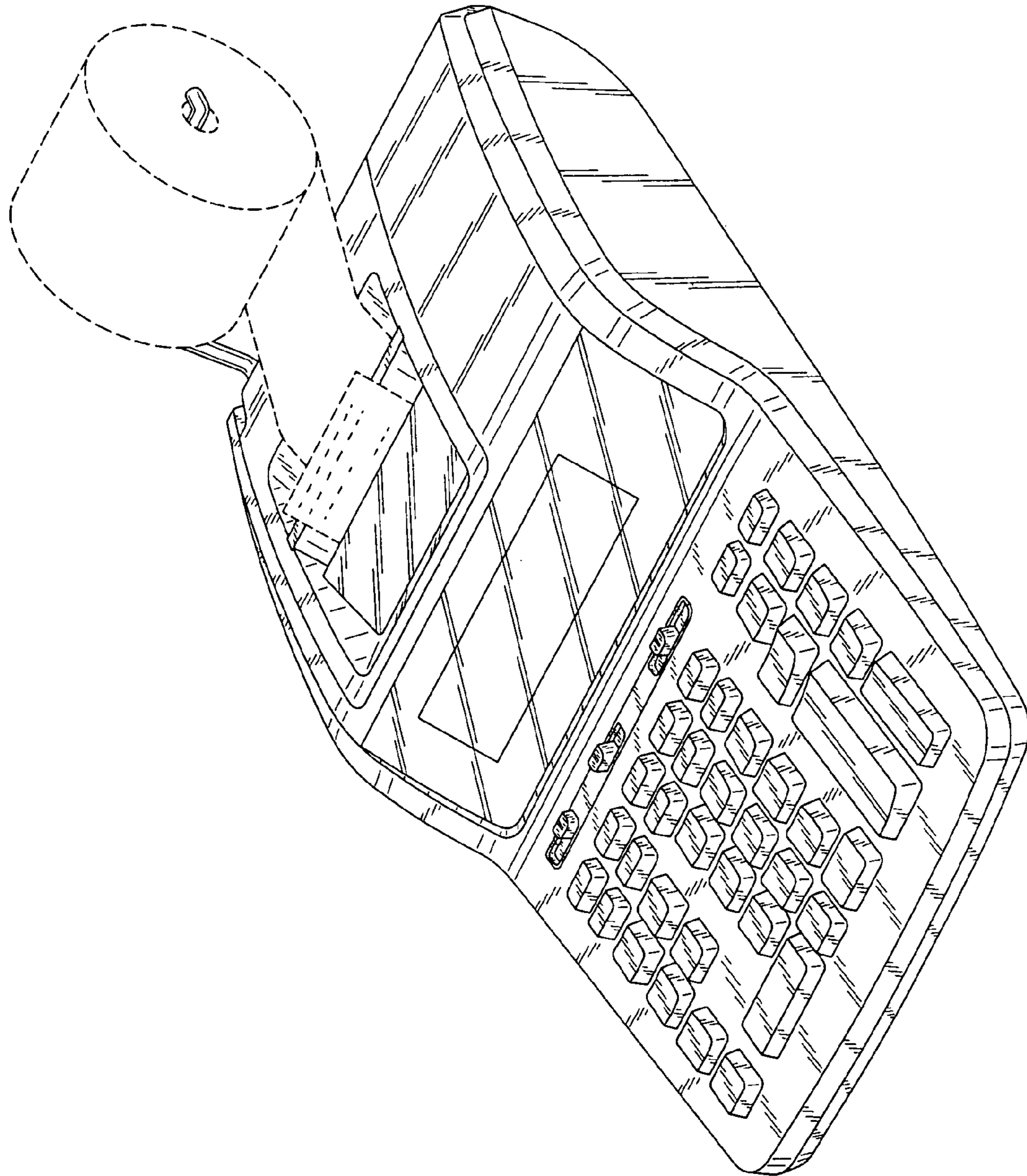


FIG. 9