



US00D568378S

(12) **United States Design Patent**
Nakao et al.

(10) **Patent No.:** **US D568,378 S**
(45) **Date of Patent:** **** May 6, 2008**

(54) **ELECTRONIC PERCUSSION INSTRUMENT**

D507,589 S * 7/2005 Ito D17/22
2002/0092406 A1 * 7/2002 Hagiwara 84/411 R

(75) Inventors: **Koichi Nakao**, Hamamatsu (JP);
Kiyoshi Yoshino, Hamamatsu (JP)

* cited by examiner

(73) Assignee: **Roland Corporation**, Hamamatsu (JP)

Primary Examiner—Ian Simmons

Assistant Examiner—Anna J Burmeister

(**) Term: **14 Years**

(74) *Attorney, Agent, or Firm*—Foley & Lardner LLP

(21) Appl. No.: **29/266,079**

(57) **CLAIM**

(22) Filed: **Sep. 13, 2006**

The ornamental design for an electronic percussion instrument, as shown and described.

(30) **Foreign Application Priority Data**

DESCRIPTION

Mar. 21, 2006 (JP) 2006-007011

(51) **LOC (8) Cl.** **17-04**

FIG. 1 is a top plan view of an electronic percussion instrument according to our claimed design;

(52) **U.S. Cl.** **D17/22**

FIG. 2 is a bottom plan view thereof;

(58) **Field of Classification Search** D17/22;
84/106–107, 411 R, 422.1, 422.3, DIG. 12
See application file for complete search history.

FIG. 3 is a front elevational view thereof;

FIG. 4 is a rear elevational view thereof;

(56) **References Cited**

FIG. 5 is a left side elevational view thereof;

U.S. PATENT DOCUMENTS

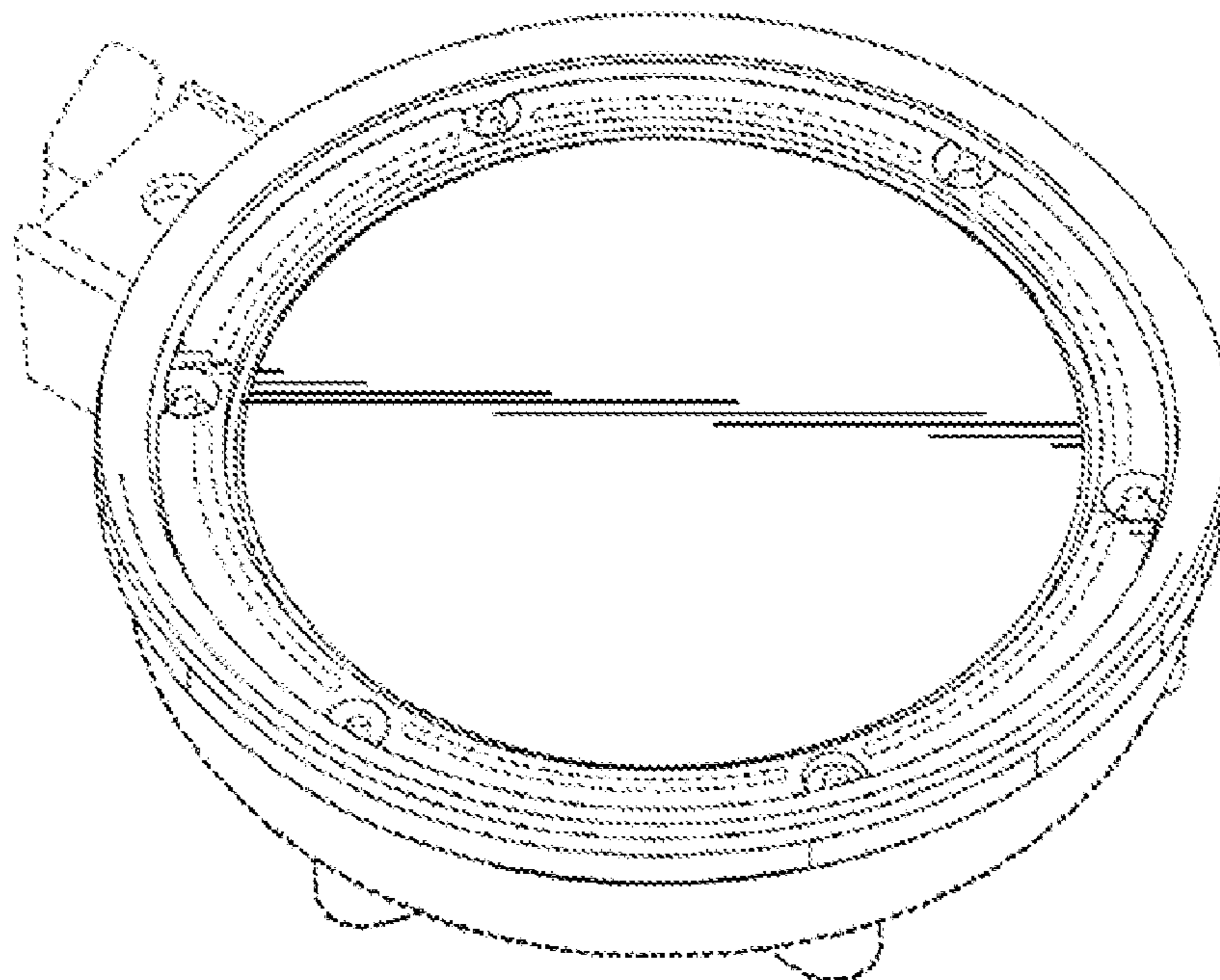
FIG. 6 is a right side elevational view thereof; and,

FIG. 7 is a top, front, and left side perspective thereof.

D295,760 S * 5/1988 Kudo D17/99
D319,650 S * 9/1991 Hart D17/22
5,105,710 A * 4/1992 Rothmel 84/730
D350,762 S * 9/1994 Ohno D17/22
D386,780 S * 11/1997 Ohno D17/22

The broken lines in the drawings are for illustrative purposes only and form no part of the claimed design.

1 Claim, 4 Drawing Sheets



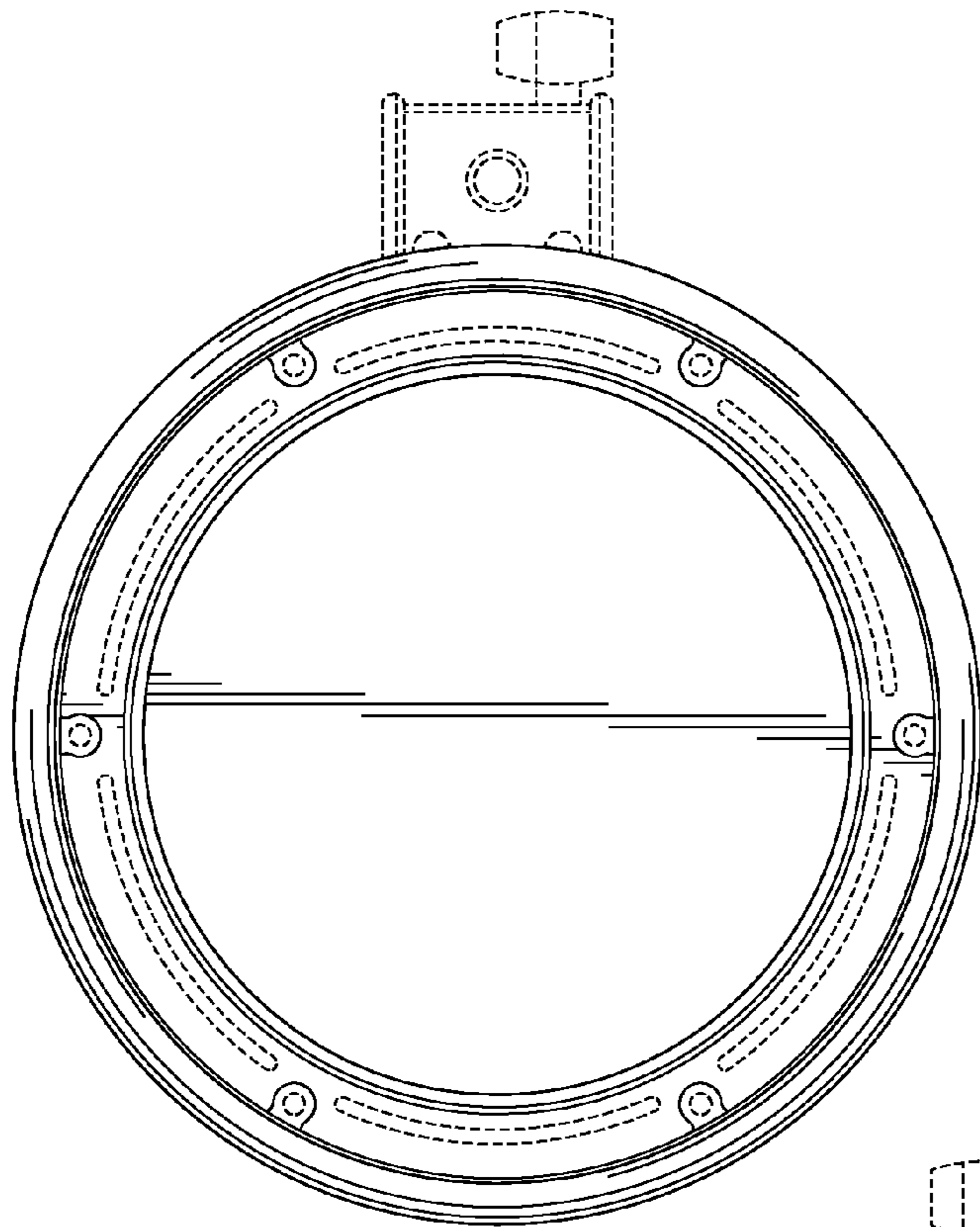


FIG. 1

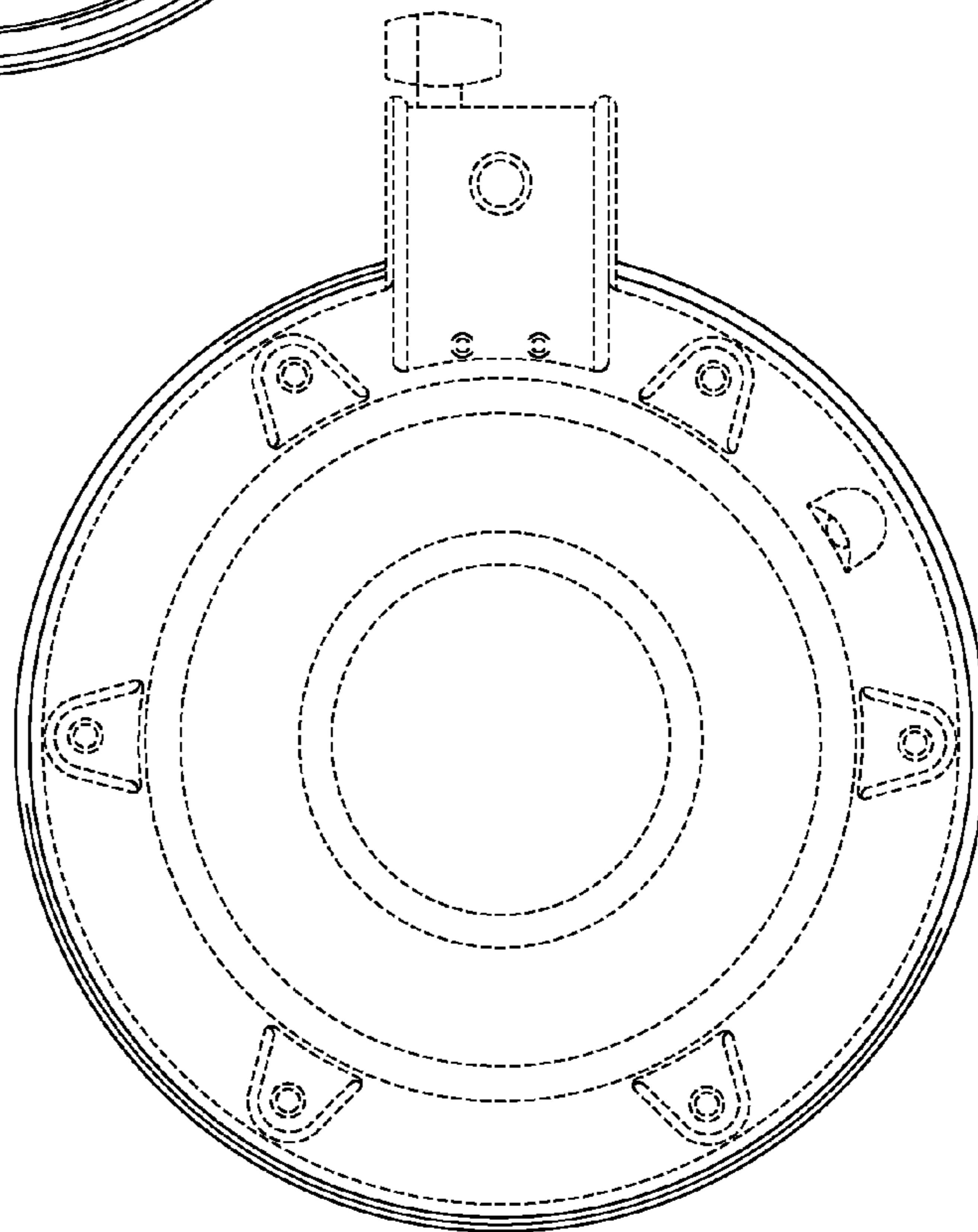


FIG. 2

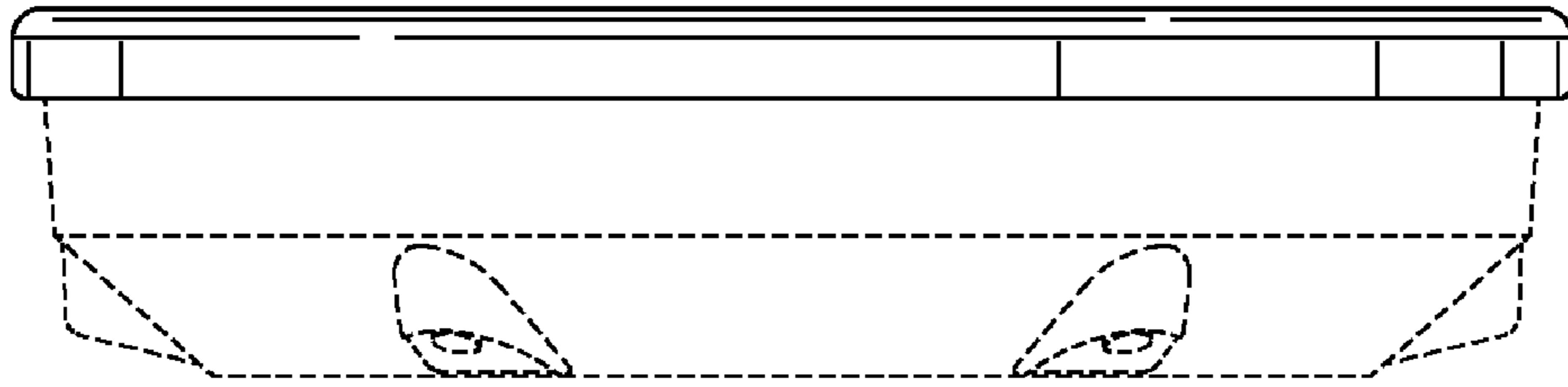


FIG. 3

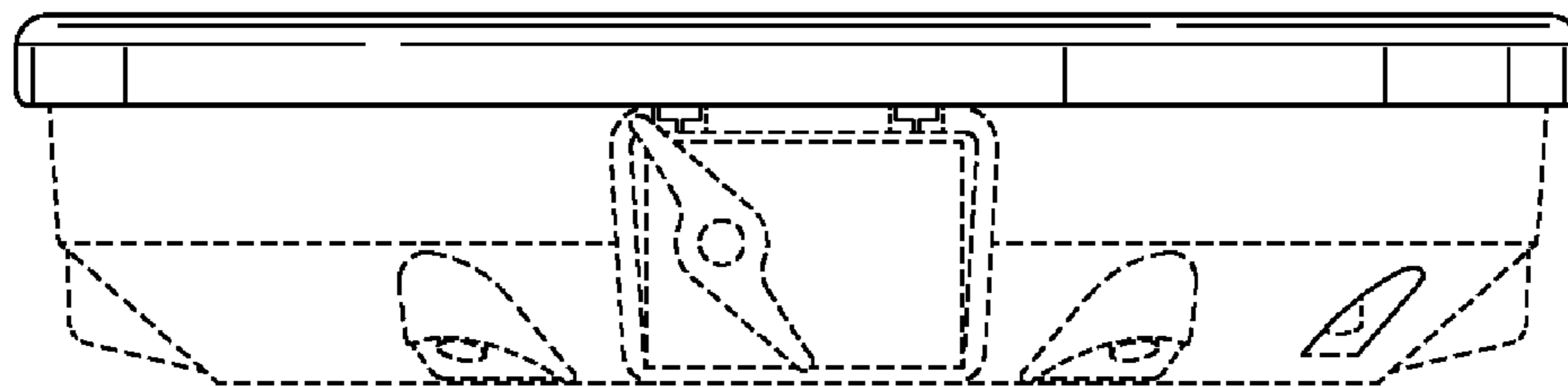


FIG. 4

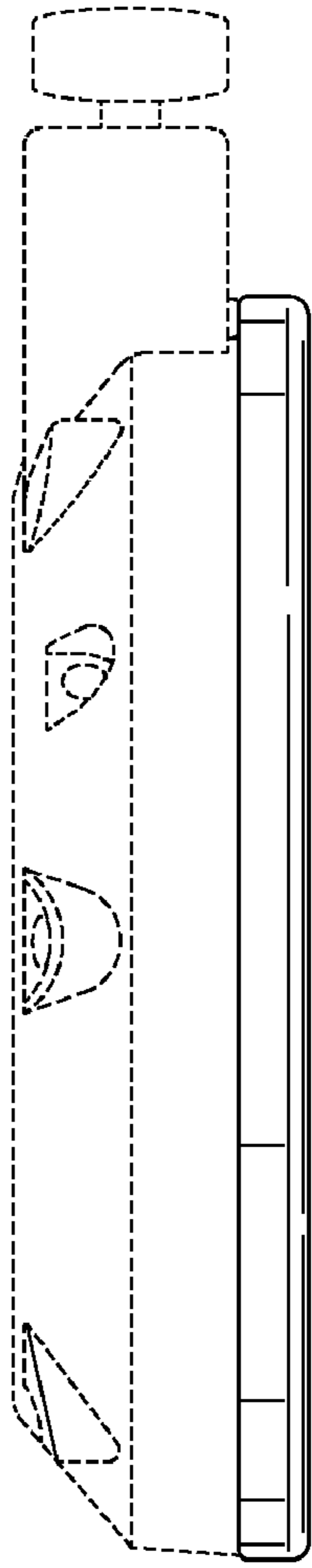


FIG. 5

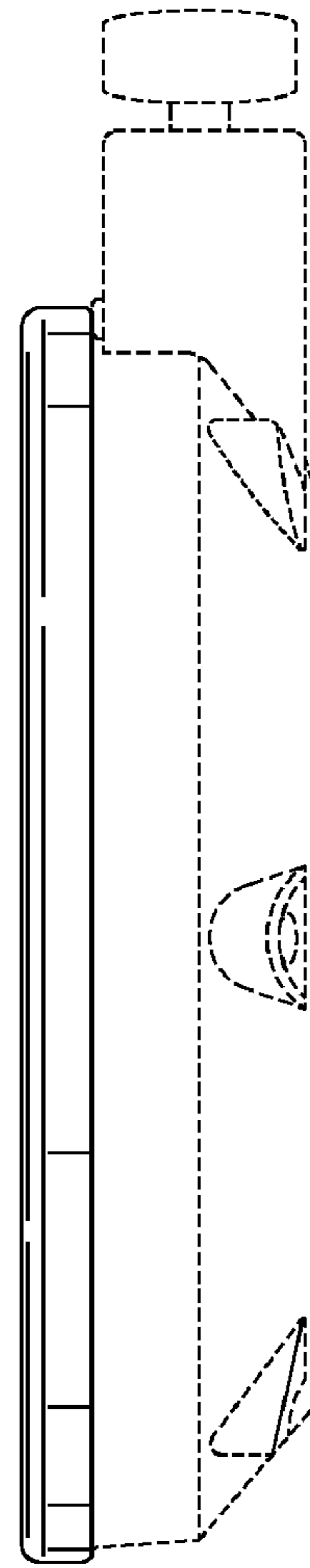


FIG. 6

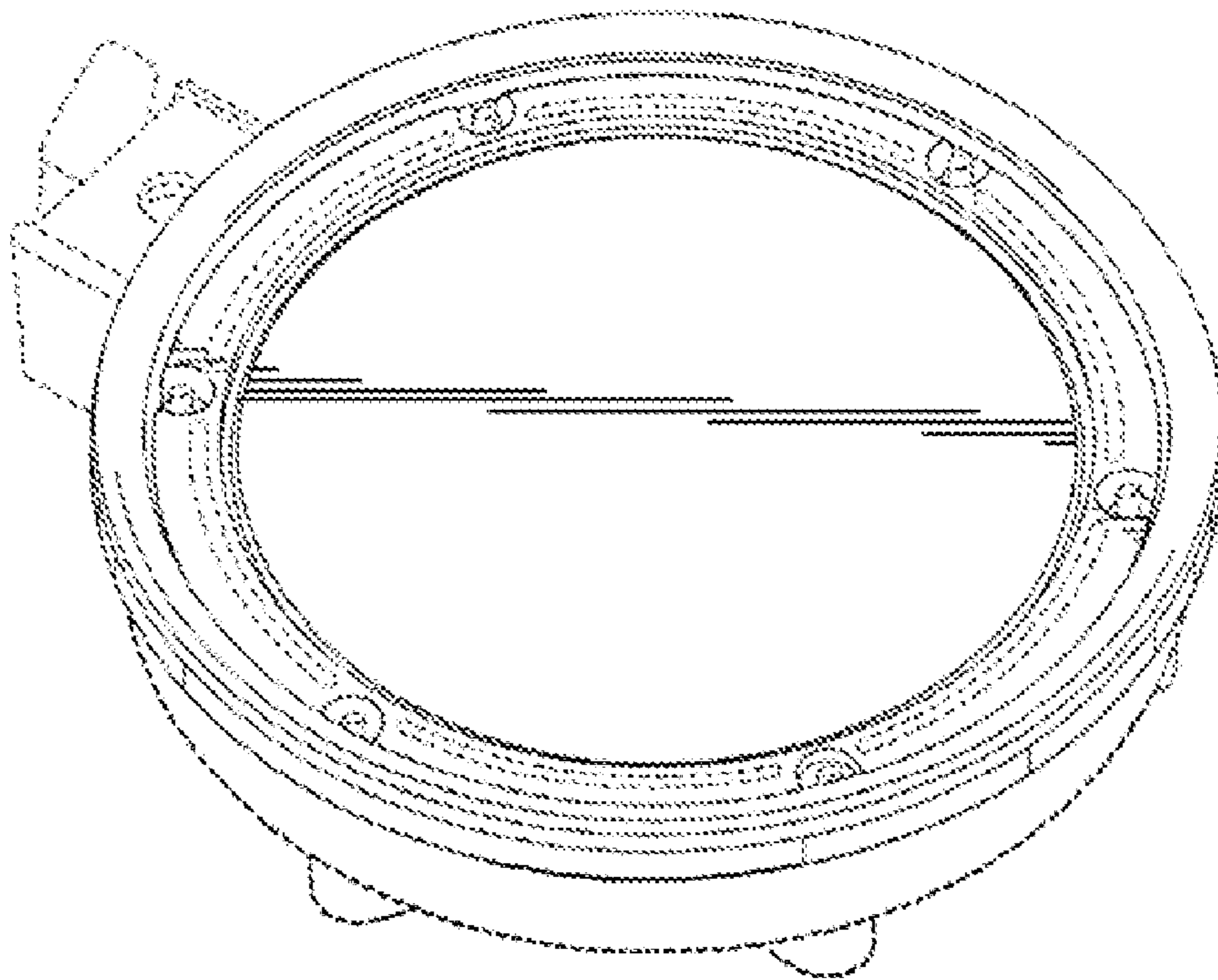


FIG. 7