



US00D568372S

(12) **United States Design Patent**  
**Shapiro**

(10) **Patent No.:** **US D568,372 S**

(45) **Date of Patent:** **\*\* May 6, 2008**

(54) **CLIP-ON SUNGLASSES**

(76) **Inventor:** **Samuel R. Shapiro**, 2008 Waverly St.,  
Pittsburgh, PA (US) 15218

(\*\*) **Term:** **14 Years**

(21) **Appl. No.:** **29/291,203**

(22) **Filed:** **Aug. 20, 2007**

(51) **LOC (8) Cl.** ..... **16-06**

(52) **U.S. Cl.** ..... **D16/330**

(58) **Field of Classification Search** ..... D16/100,  
D16/102, 104, 107, 108, 110-123, 125, 126,  
D16/127, 304, 309-313, 314, 323, 326, 330,  
D16/332, 333, 334, 335, 341; 351/47, 41,  
351/43, 44-48, 57, 58, 60, 62, 83, 85-111,  
351/119, 120, 158; 2/428-430, 432, 436,  
2/439, 449, 453; D2/234; D29/109

See application file for complete search history.

(56) **References Cited**

**U.S. PATENT DOCUMENTS**

786,442	A	*	4/1905	Jackson	.....	351/57
1,709,195	A	*	4/1929	Shindel	.....	351/47
2,388,626	A	*	11/1945	Wilson	.....	2/453
D267,724	S	*	1/1983	Staller	.....	D16/314
D274,181	S	*	6/1984	Abate et al.	.....	D16/314
D336,308	S	*	6/1993	Shelton	.....	D16/330
D350,359	S	*	9/1994	Friedman	.....	D16/334
D356,810	S	*	3/1995	Friedman	.....	D16/304
D363,079	S	*	10/1995	Wai Keong	.....	D16/300
5,546,140	A	*	8/1996	Underwood	.....	351/47

D375,971	S	*	11/1996	Peluso et al.	.....	D16/330
D411,854	S	*	7/1999	Friedman	.....	D16/330
D451,532	S	*	12/2001	Bondy	.....	D16/304
D480,102	S	*	9/2003	Bertieri	.....	D16/330
D493,189	S	*	7/2004	Canavan	.....	D16/330
2007/0091252	A1	*	4/2007	Lennox	.....	351/47

\* cited by examiner

*Primary Examiner*—T. Chase Nelson

*Assistant Examiner*—Barbara B Lohr

(74) *Attorney, Agent, or Firm*—Glenn E. Klepac

(57) **CLAIM**

The ornamental design for clip-on sunglasses, as shown and described.

**DESCRIPTION**

FIG. 1 is a perspective view of clip-on sunglasses showing our new design.

FIG. 2 is a front elevational view thereof.

FIG. 3 is a rear elevational view thereof.

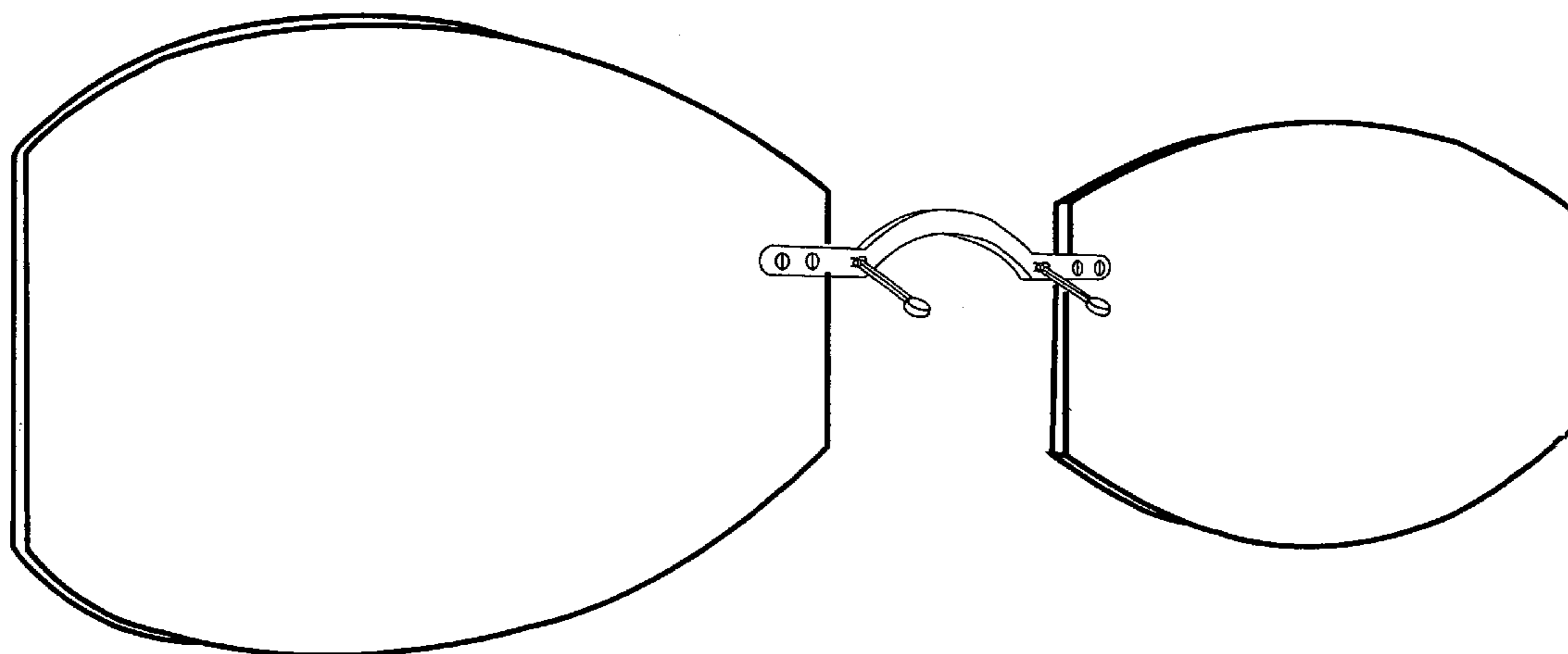
FIG. 4 is a top plan view thereof.

FIG. 5 is a side elevational view thereof, the opposite side being a mirror image of the side shown; and,

FIG. 6 is an enlarged, fragmentary view of the clip-on sunglasses of FIG. 1.

The broken lines bound the places at which the fragmentary view of FIG. 6 is cut from in the depiction of the entire design and form no part of the claimed design.

**1 Claim, 4 Drawing Sheets**



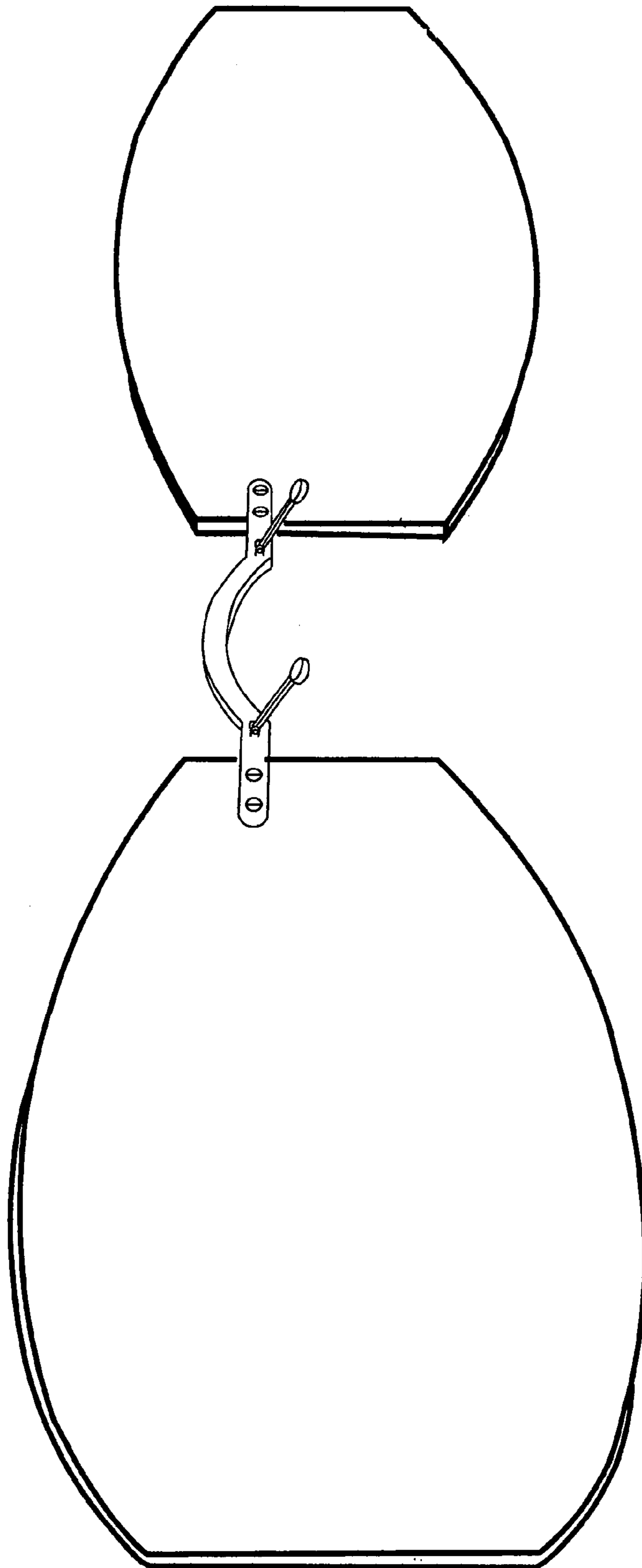


Figure 1

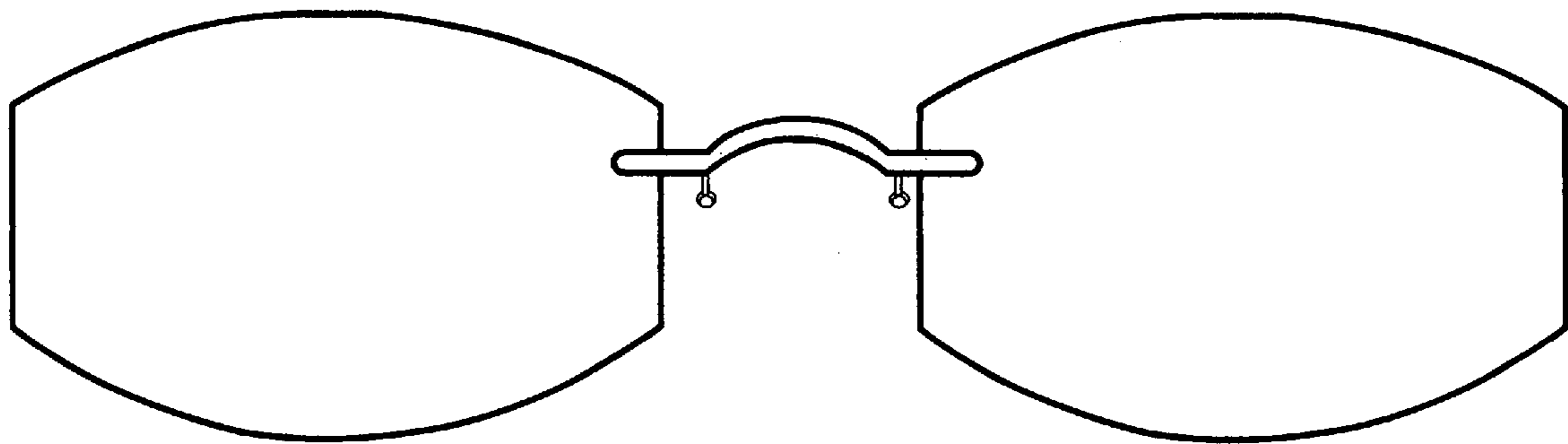


Figure 2

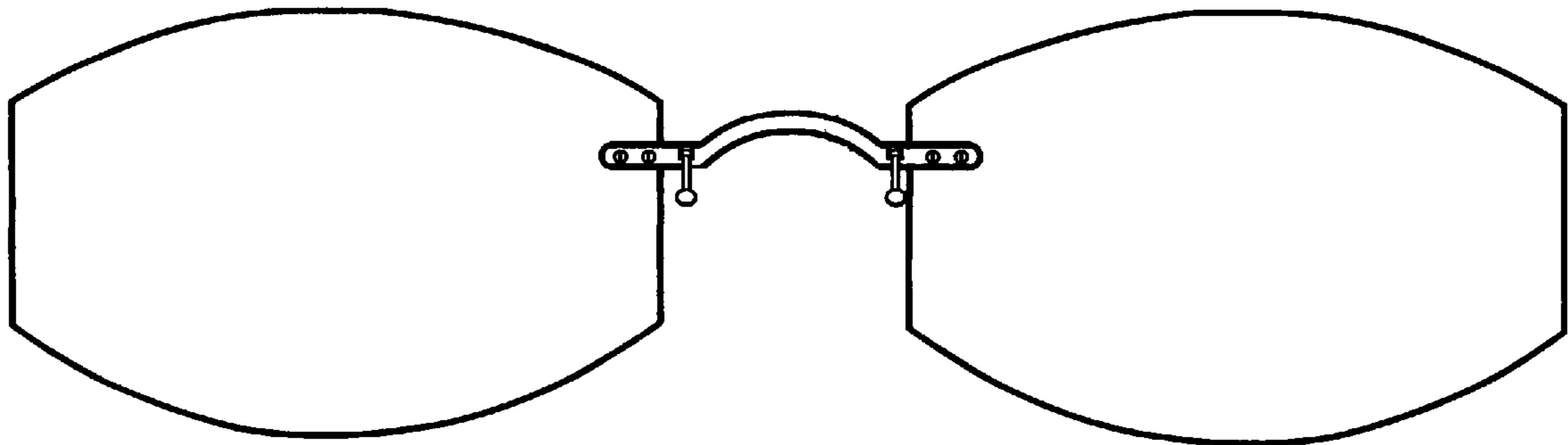


Figure 3



Figure 4



Figure 5

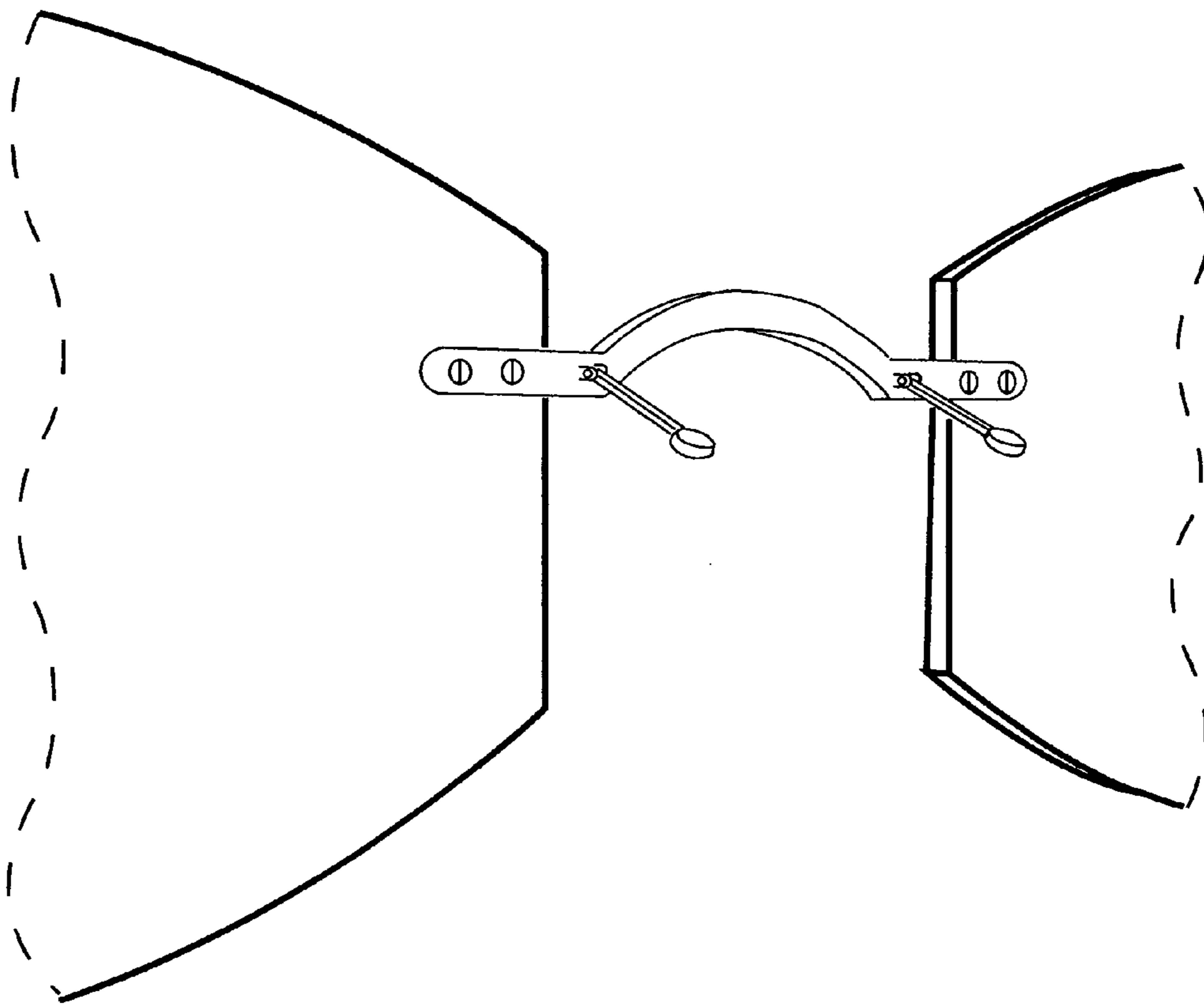


Figure 6