

US00D568364S

(12) **United States Design Patent**
Jeoung et al.

(10) **Patent No.:** **US D568,364 S**

(45) **Date of Patent:** **** May 6, 2008**

(54) **PORTABLE LCD SCREEN**

(75) Inventors: **Jong-Yun Jeoung**, Goyang-si (KR);
Jun-Sang Park, Anyang-si (KR)

(73) Assignee: **Samsung Electronics Co., Ltd.**,
Suwon-Si (KR)

(**) Term: **14 Years**

(21) Appl. No.: **29/274,001**

(22) Filed: **Mar. 16, 2007**

(30) **Foreign Application Priority Data**

Dec. 6, 2006 (KR) 30-2006-0048421

(51) **LOC (8) Cl.** **16-05**

(52) **U.S. Cl.** **D16/241**

(58) **Field of Classification Search** D16/241,
D16/235; D20/10; 362/352, 319; 396/3-4;
160/24, 37, 39, 351; 359/443, 461; D14/488,
D14/491, 493

See application file for complete search history.

(56) **References Cited**

U.S. PATENT DOCUMENTS

3,087,535	A *	4/1963	Muller	160/24
3,251,264	A *	5/1966	Jacobson	359/461
RE26,156	E *	2/1967	Muller	160/24
D323,338	S *	1/1992	Court	D16/241
D390,548	S *	2/1998	Maekawa et al.	D14/488
D434,422	S *	11/2000	Thomas et al.	D14/493
D435,258	S *	12/2000	Kramer et al.	D14/488
D445,428	S *	7/2001	Pattenden	D14/488

D490,835	S *	6/2004	Kotera	D16/241
6,873,458	B1 *	3/2005	Bakkom et al.	359/443
D520,046	S *	5/2006	Miyagawa et al.	D16/241
7,180,665	B2 *	2/2007	Daniel et al.	359/461
7,203,000	B2 *	4/2007	Kotera	359/461
D548,765	S *	8/2007	Kotera et al.	D16/241
2006/0209406	A1 *	9/2006	Choi	359/461
2006/0279840	A1 *	12/2006	Yamauchi	359/461
2007/0121206	A1 *	5/2007	Liang et al.	359/443

* cited by examiner

Primary Examiner—Charles A. Rademaker

Assistant Examiner—Wan Laymon

(74) *Attorney, Agent, or Firm*—Staas & Halsey LLP

(57) **CLAIM**

The ornamental design for a portable LCD screen, as shown and described.

DESCRIPTION

FIG. 1 is a perspective view of a portable LCD screen showing our new design;

FIG. 2 is a front view thereof;

FIG. 3 is a rear view thereof;

FIG. 4 is a left side view thereof;

FIG. 5 is a right side view thereof;

FIG. 6 is a top plan view thereof;

FIG. 7 is a bottom plan view thereof; and,

FIG. 8 is an open perspective view of a portable LCD screen of FIG. 1.

1 Claim, 5 Drawing Sheets

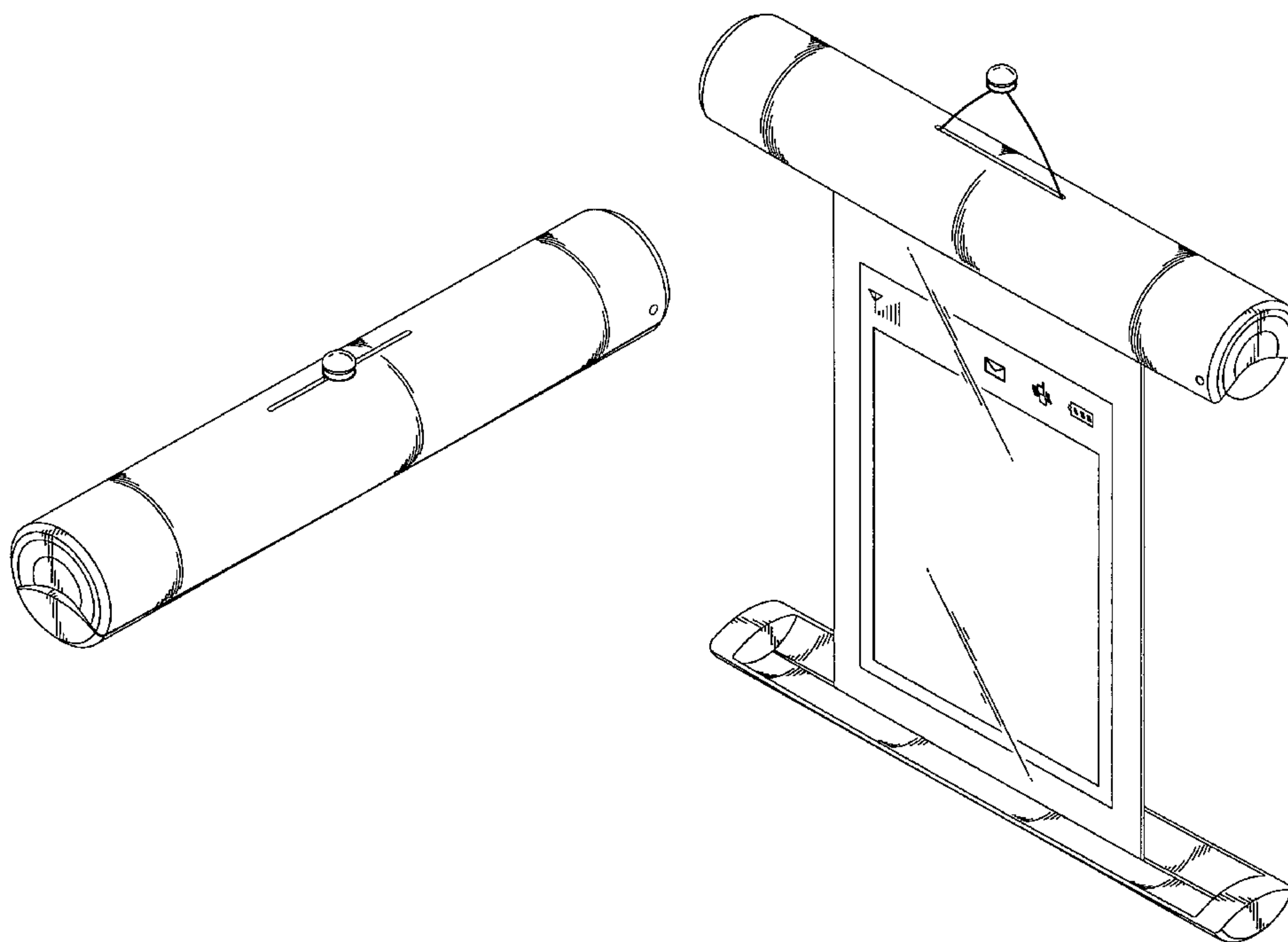


FIG. 1

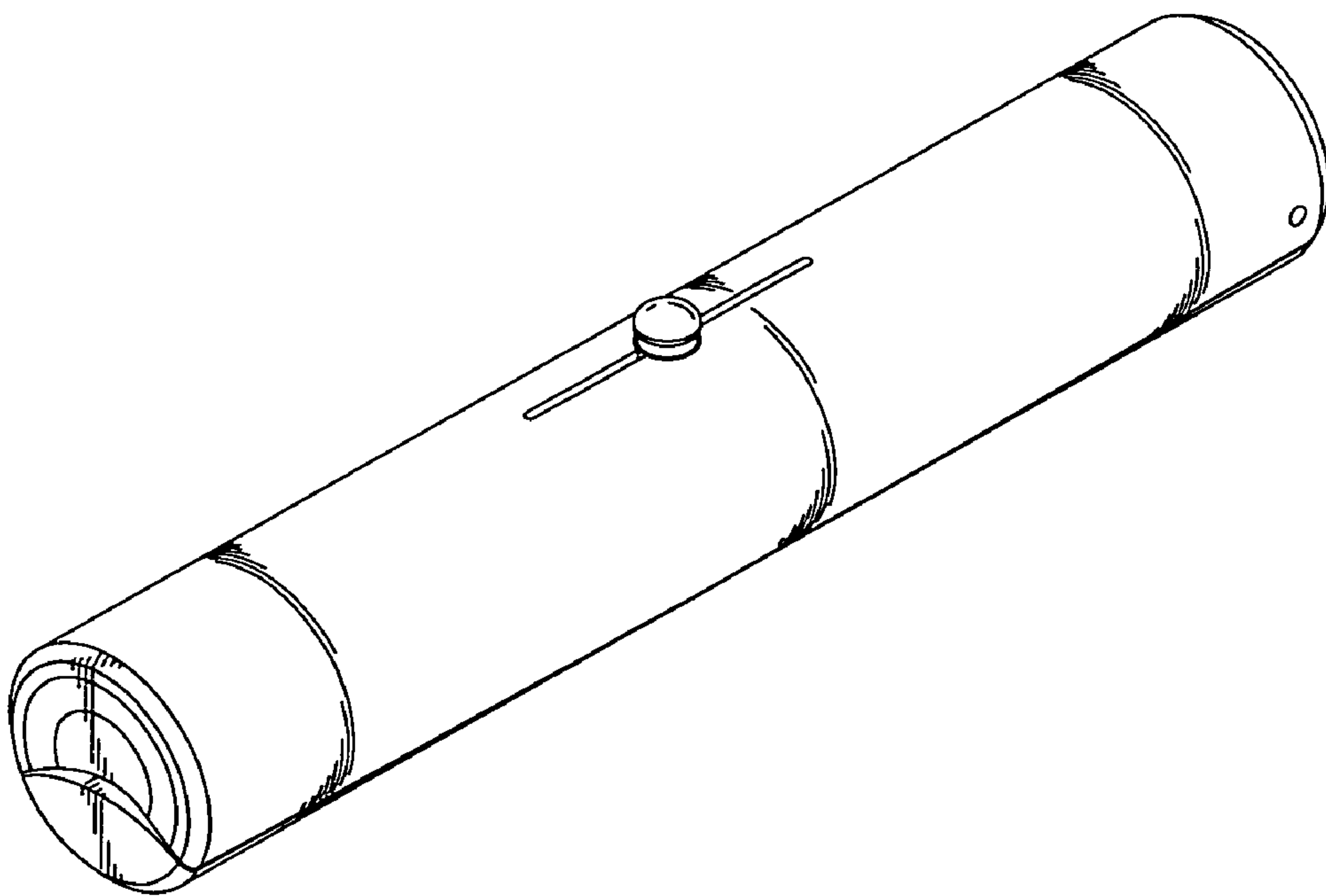


FIG.2

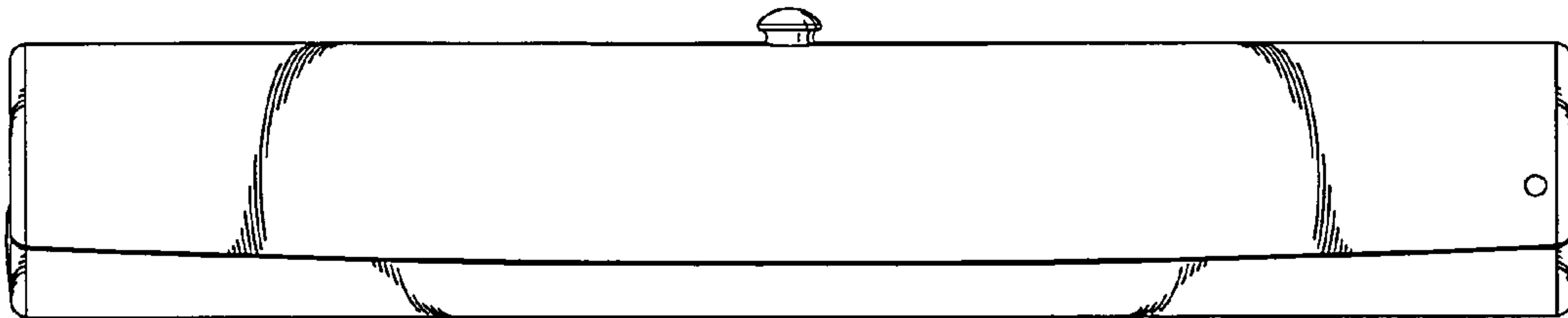


FIG.3

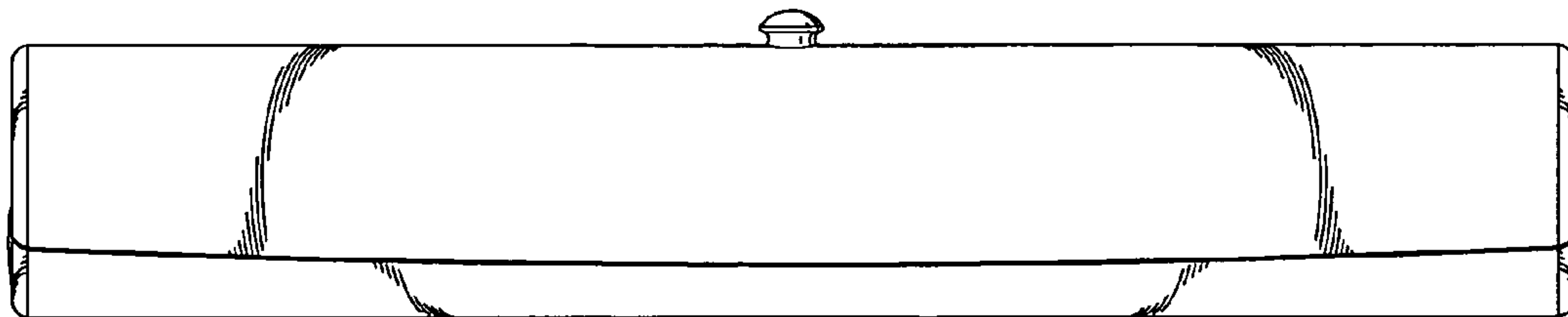


FIG. 4

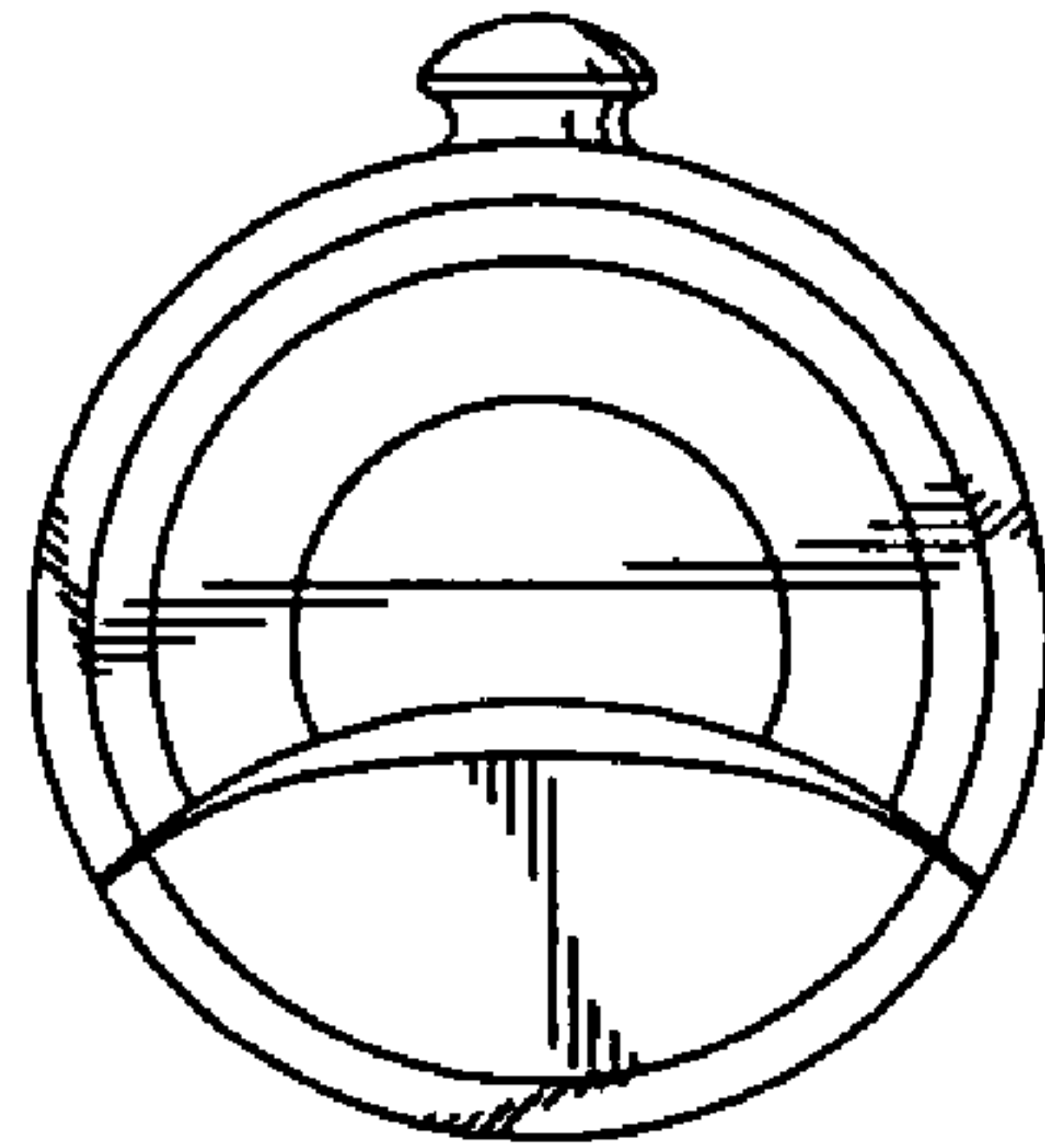


FIG. 5

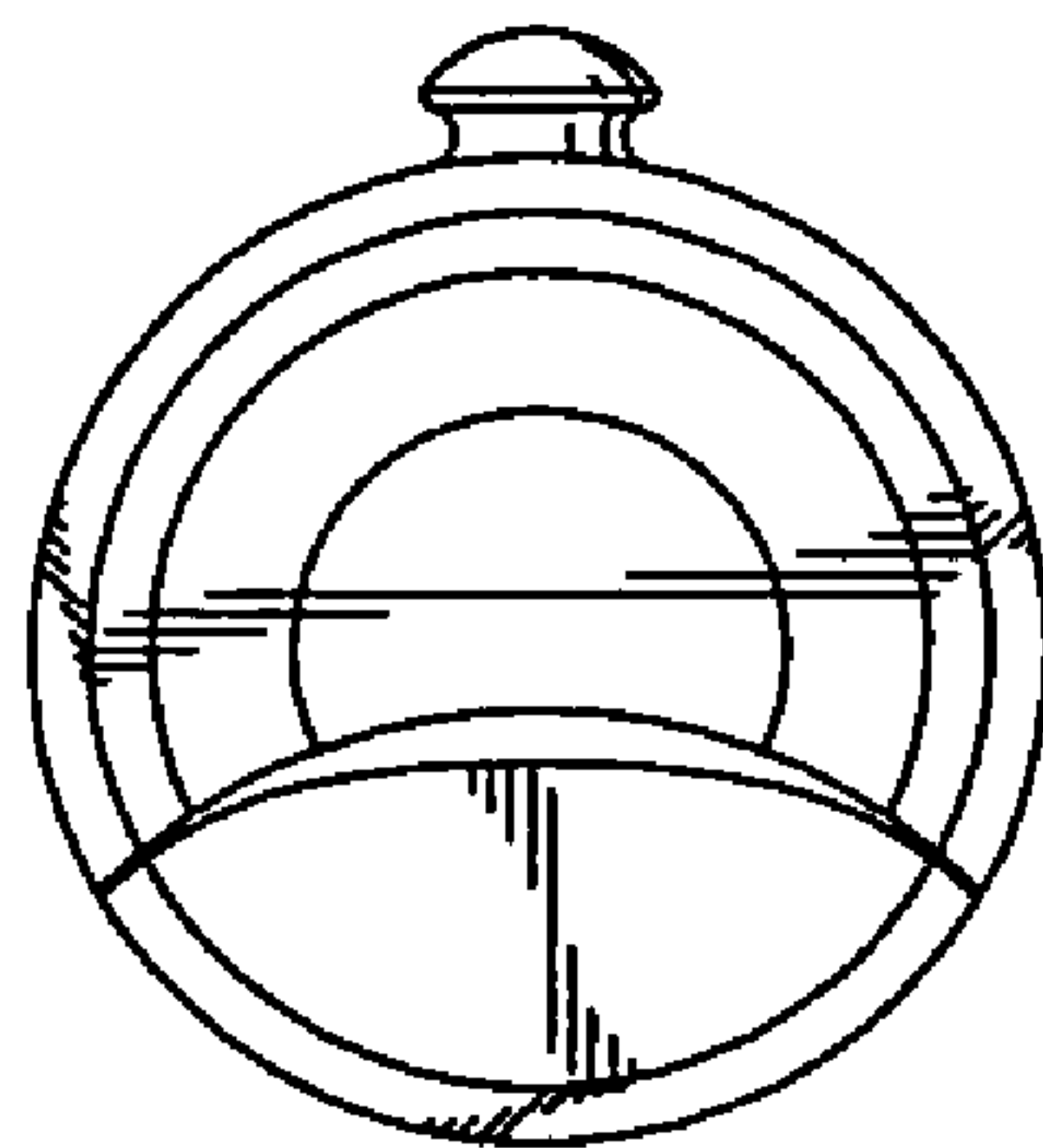


FIG.6

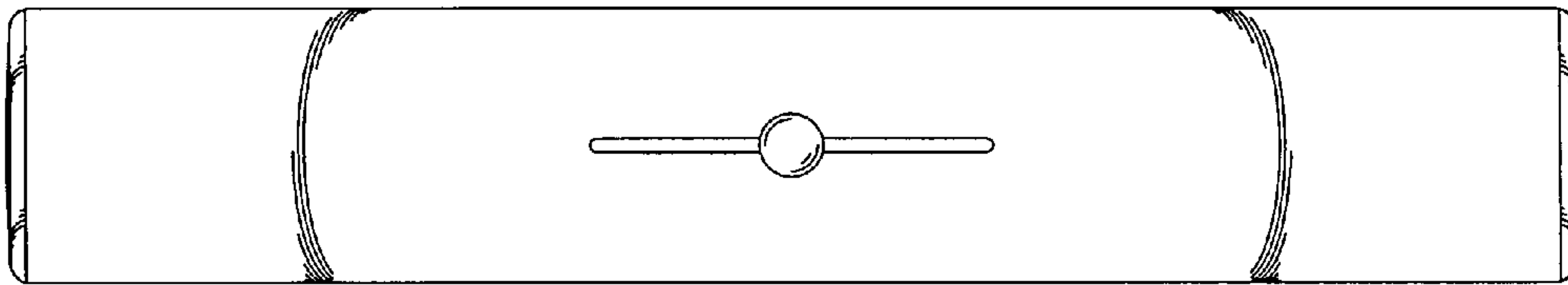


FIG.7

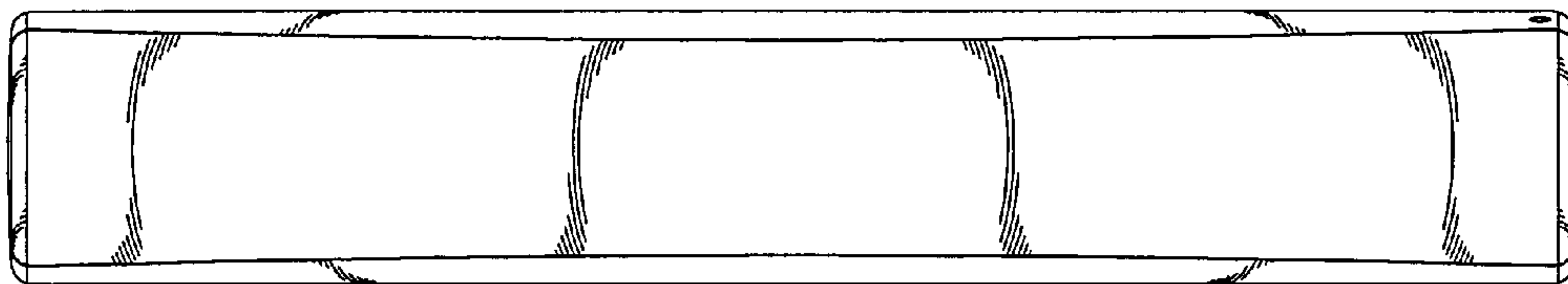


FIG. 8

