



US00D568363S

(12) **United States Design Patent**
Funakoshi

(10) **Patent No.:** **US D568,363 S**

(45) **Date of Patent:** **** May 6, 2008**

(54) **DIGITAL CAMERA**

(75) Inventor: **Yasuo Funakoshi**, Hachioji (JP)

(73) Assignee: **Olympus Imaging Corp.**, Tokyo (JP)

(**) Term: **14 Years**

(21) Appl. No.: **29/271,604**

(22) Filed: **Jan. 23, 2007**

(30) **Foreign Application Priority Data**

Dec. 27, 2006 (JP) 2006-036059
Dec. 27, 2006 (JP) 2006-036060

(51) **LOC (8) Cl.** **16-01**

(52) **U.S. Cl.** **D16/217**

(58) **Field of Classification Search** D16/200–206,
D16/208, 218–219, 217; 348/373–376; 358/906,
358/909.1; 396/535–541

See application file for complete search history.

(56) **References Cited**

U.S. PATENT DOCUMENTS

D397,707 S * 9/1998 Naitou D16/202
6,393,225 B1 * 5/2002 Yamada 396/535
D467,602 S * 12/2002 Katayama D16/202
D474,793 S * 5/2003 Yoshida D16/202
D490,834 S * 6/2004 Dow et al. D16/202
D493,809 S * 8/2004 Ogura D16/202
D497,173 S * 10/2004 Ogura D16/202
D511,351 S * 11/2005 Yatabe D16/202

D524,836 S * 7/2006 Morita D16/202
D528,580 S * 9/2006 Sumita D16/206
D534,197 S * 12/2006 Hanafusa D16/202
D537,857 S * 3/2007 Nakamura D16/202
D547,783 S * 7/2007 Sakai D16/202

* cited by examiner

Primary Examiner—Charles A. Rademaker

Assistant Examiner—Wan Laymon

(74) *Attorney, Agent, or Firm*—John C. Pokotylo; Straub and Pokotylo

(57) **CLAIM**

The ornamental design for a digital camera, as shown and described.

DESCRIPTION

FIG. 1 is a front, top and right side perspective view of a digital camera showing my new design;

FIG. 2 is a front, top and right side perspective view thereof having a lens extended;

FIG. 3 is a front elevational view thereof;

FIG. 4 is a rear elevational view thereof;

FIG. 5 is a top plan view thereof;

FIG. 6 is a bottom plan view thereof;

FIG. 7 is a left side elevational view thereof; and,

FIG. 8 is a right side elevational view thereof.

1 Claim, 5 Drawing Sheets

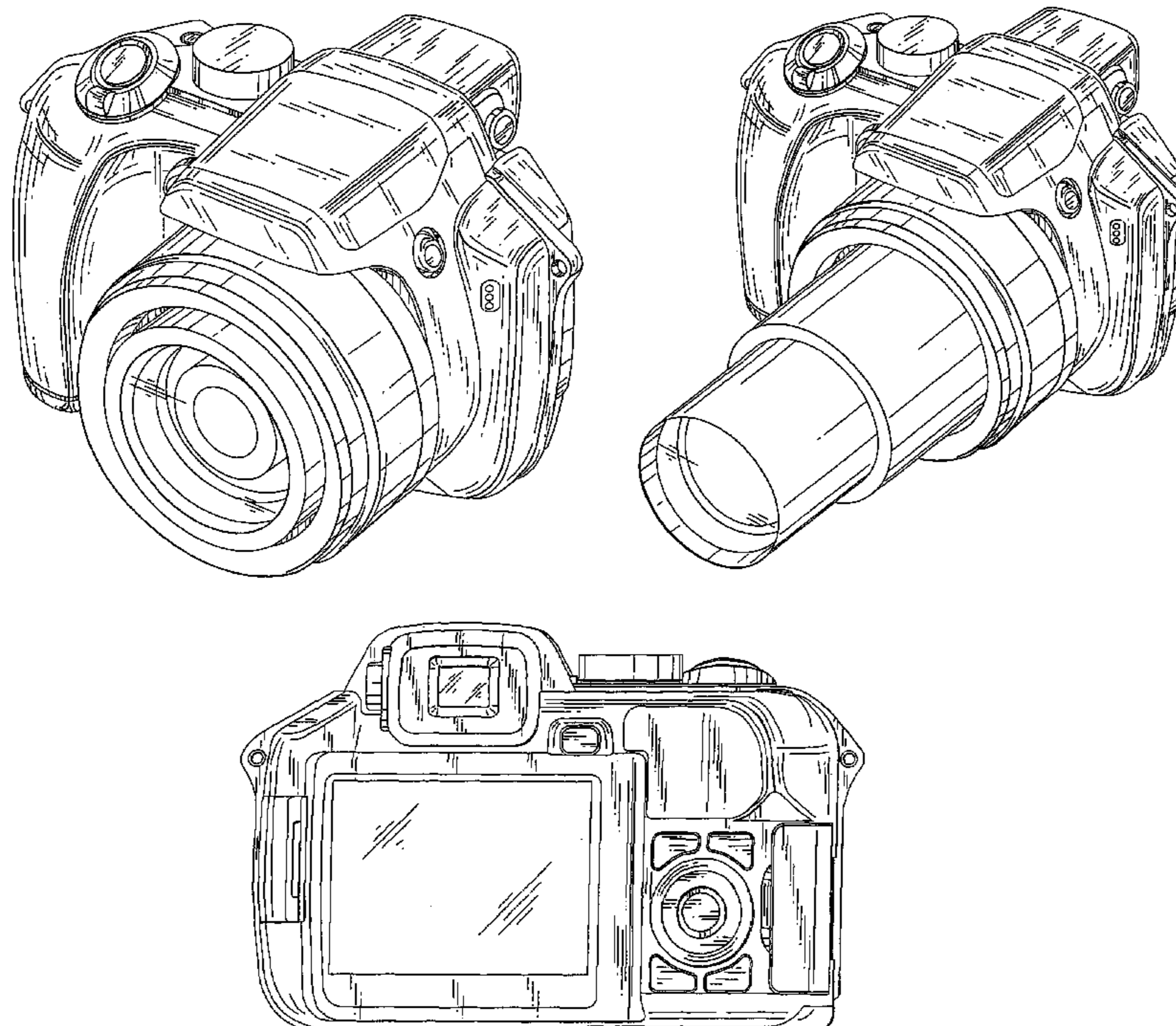


FIG. 1

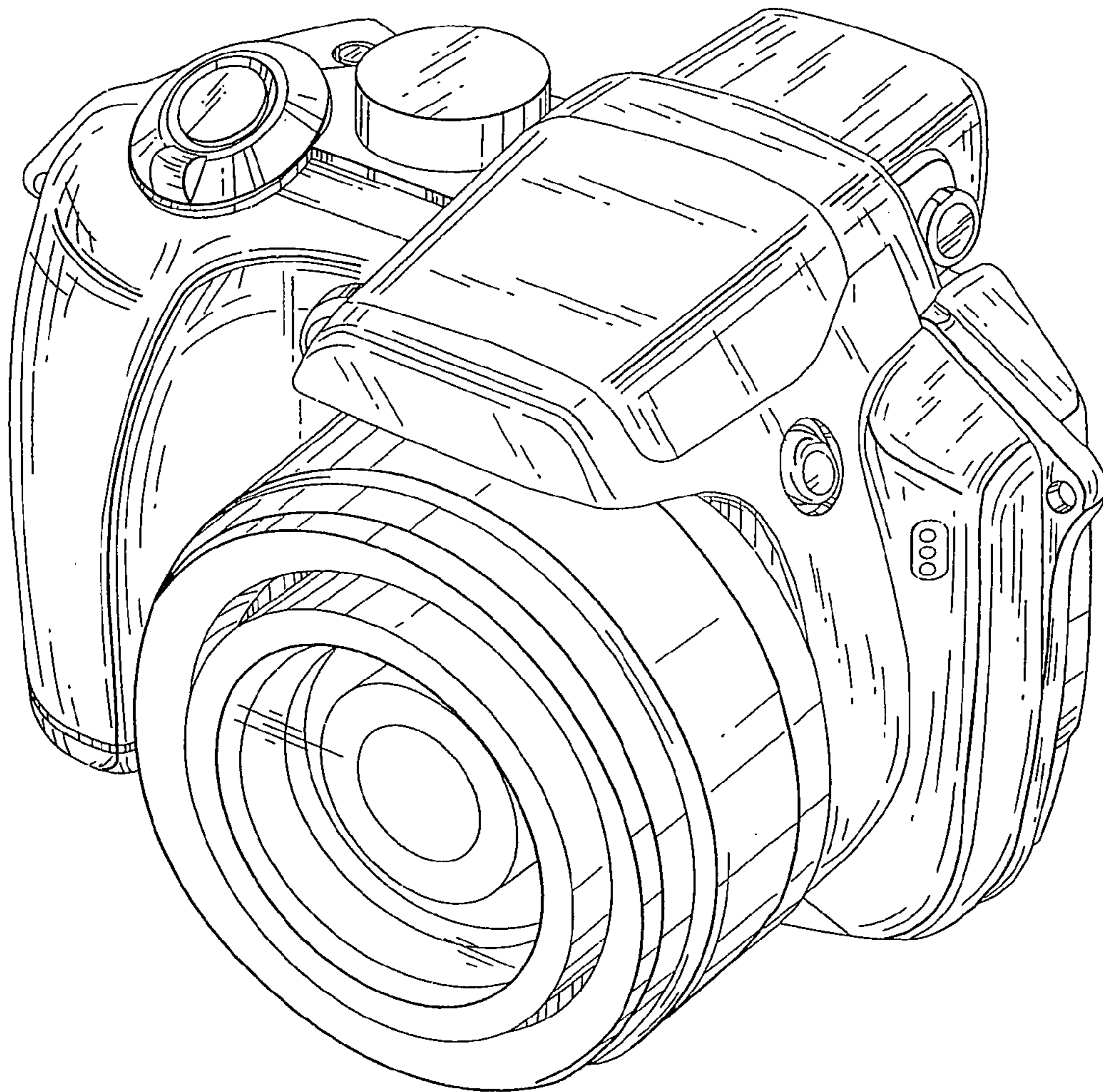


FIG.2

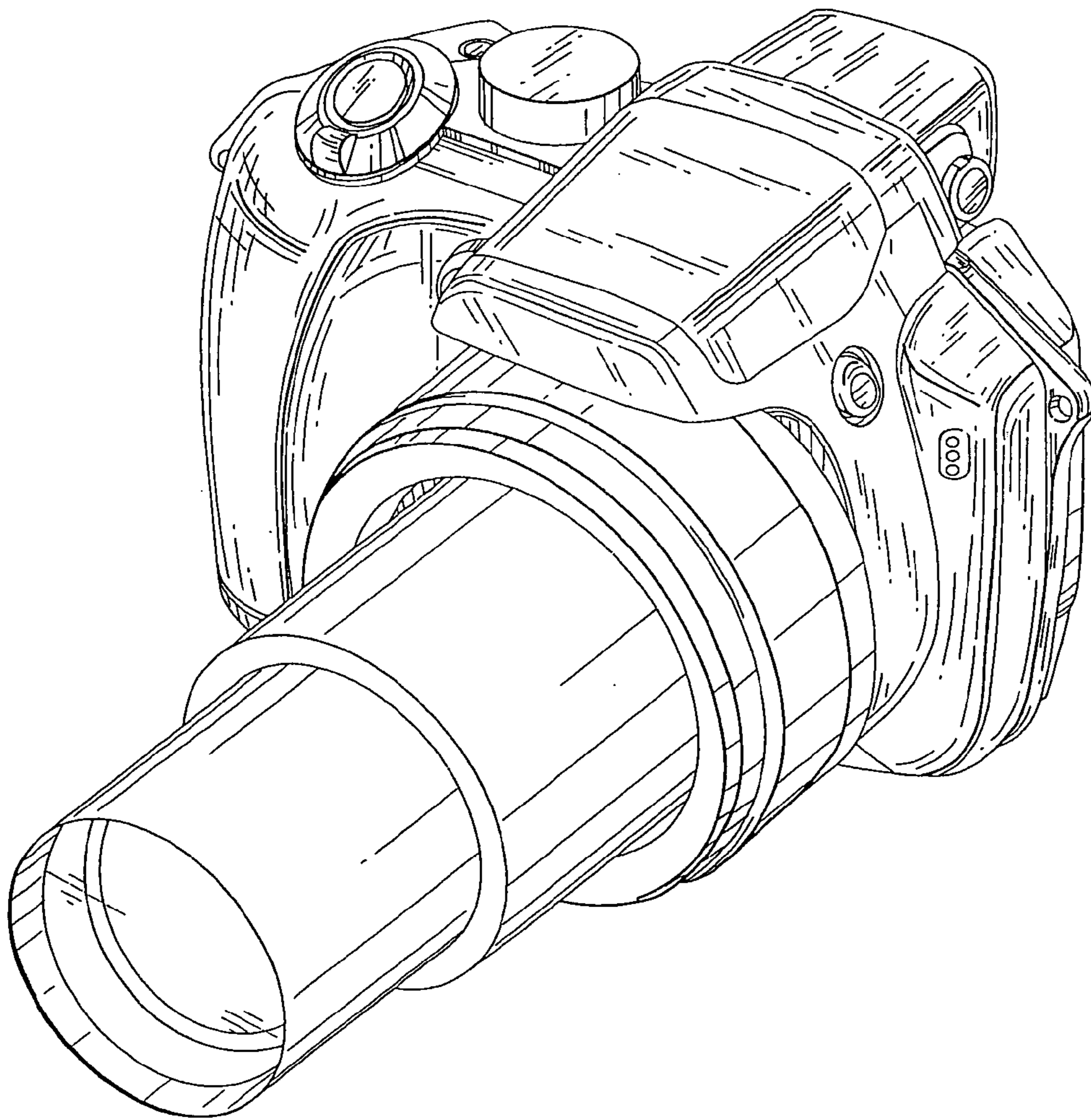


FIG.3

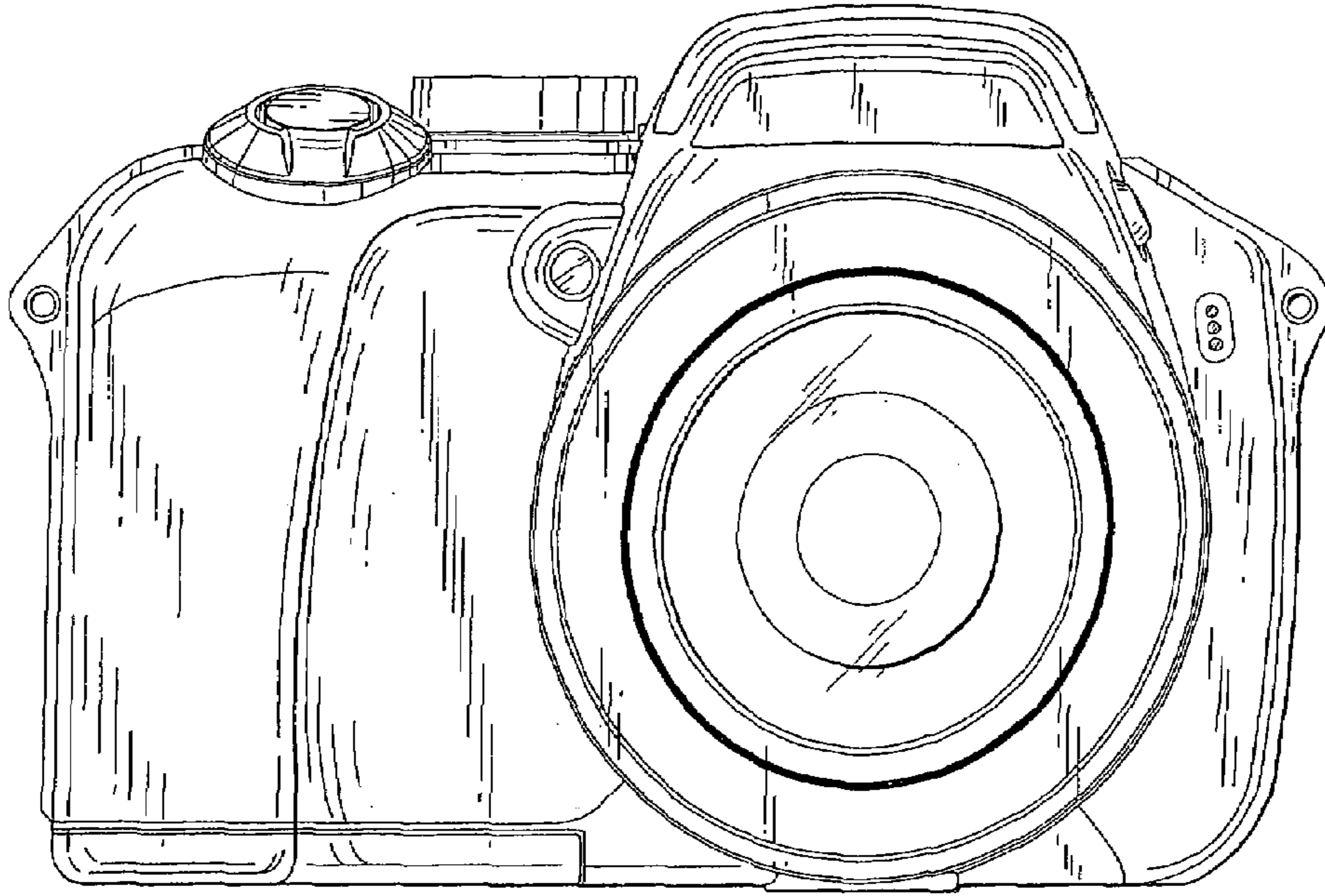


FIG.4

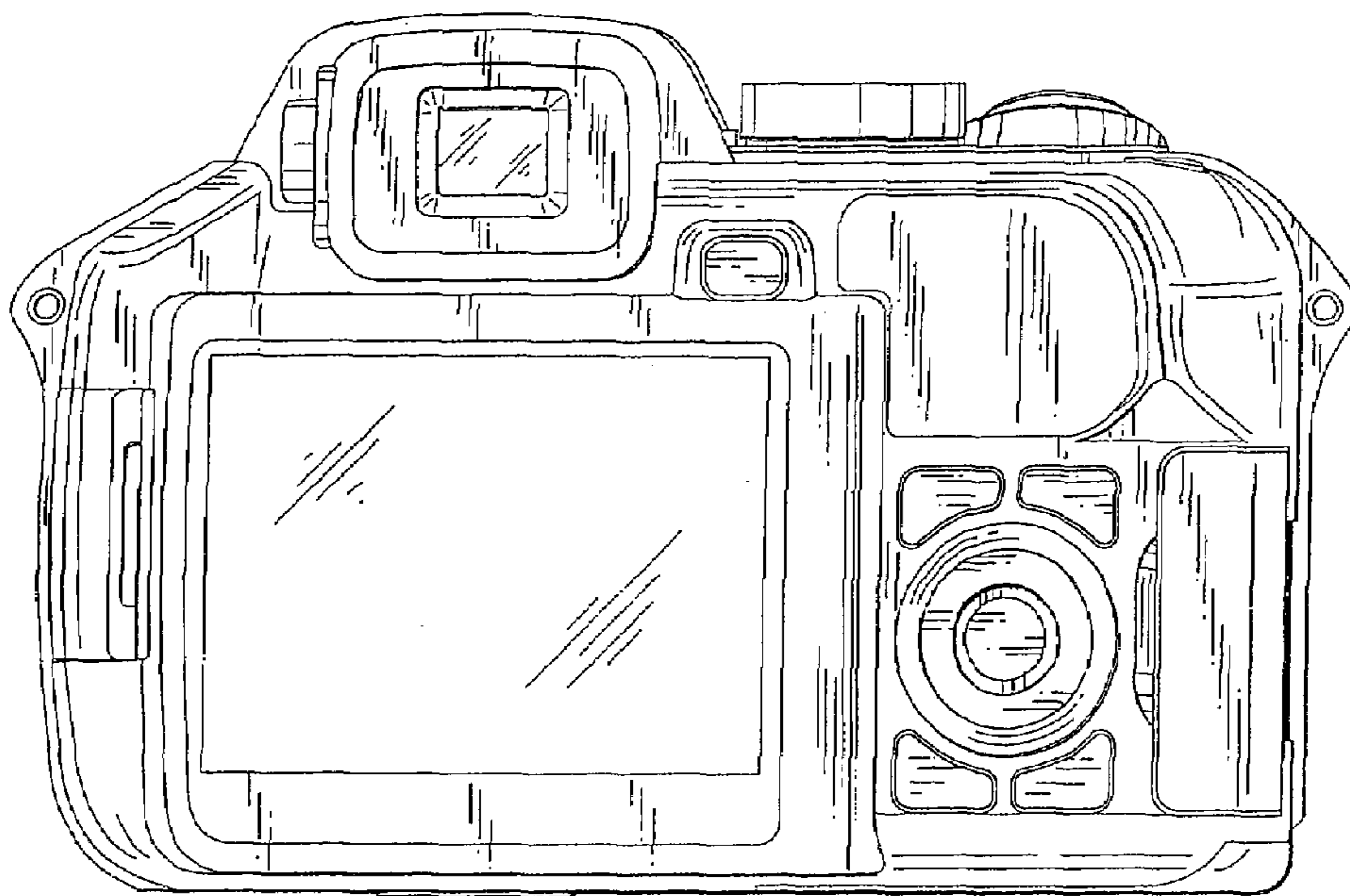


FIG.5

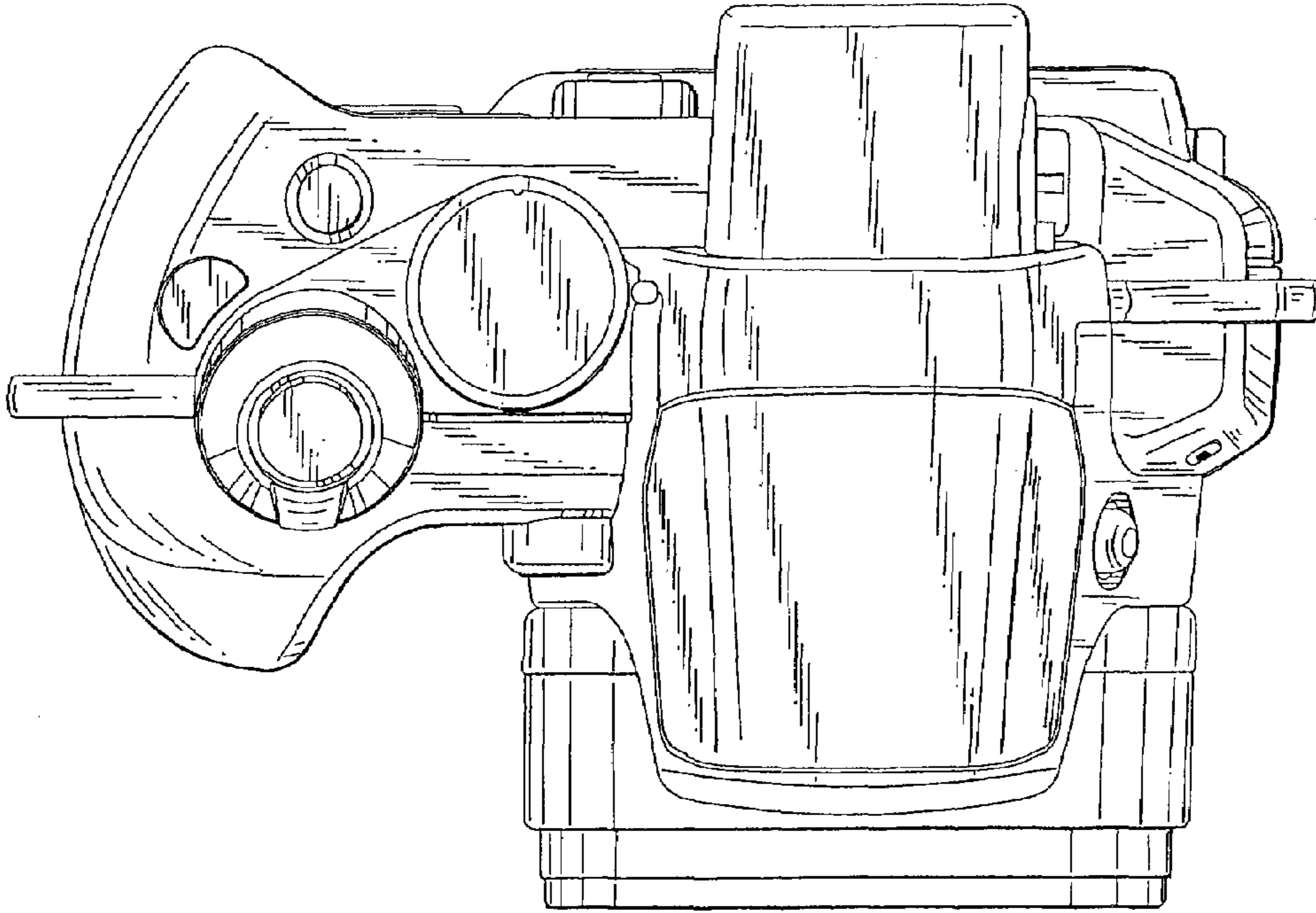


FIG.6

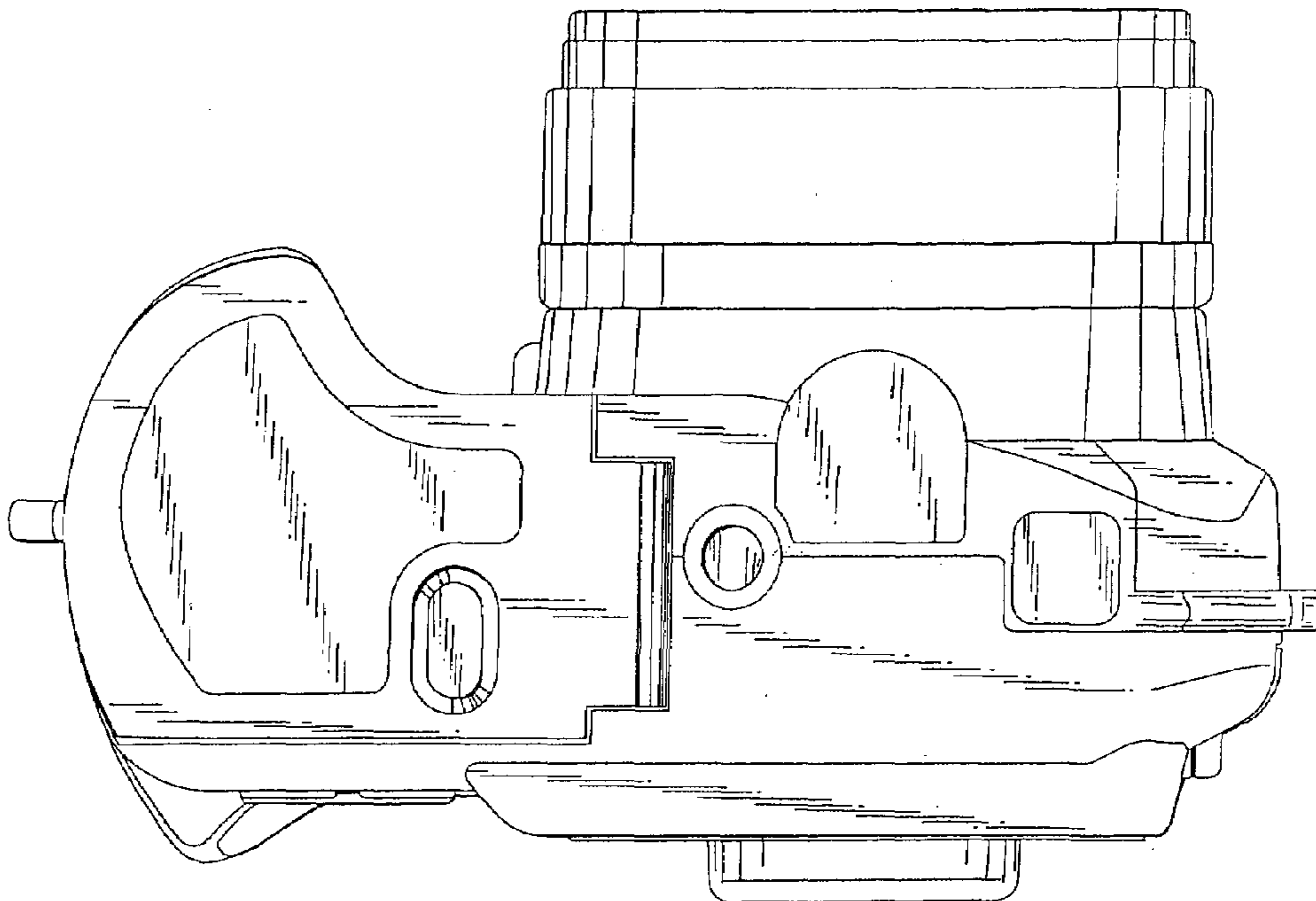


FIG.7

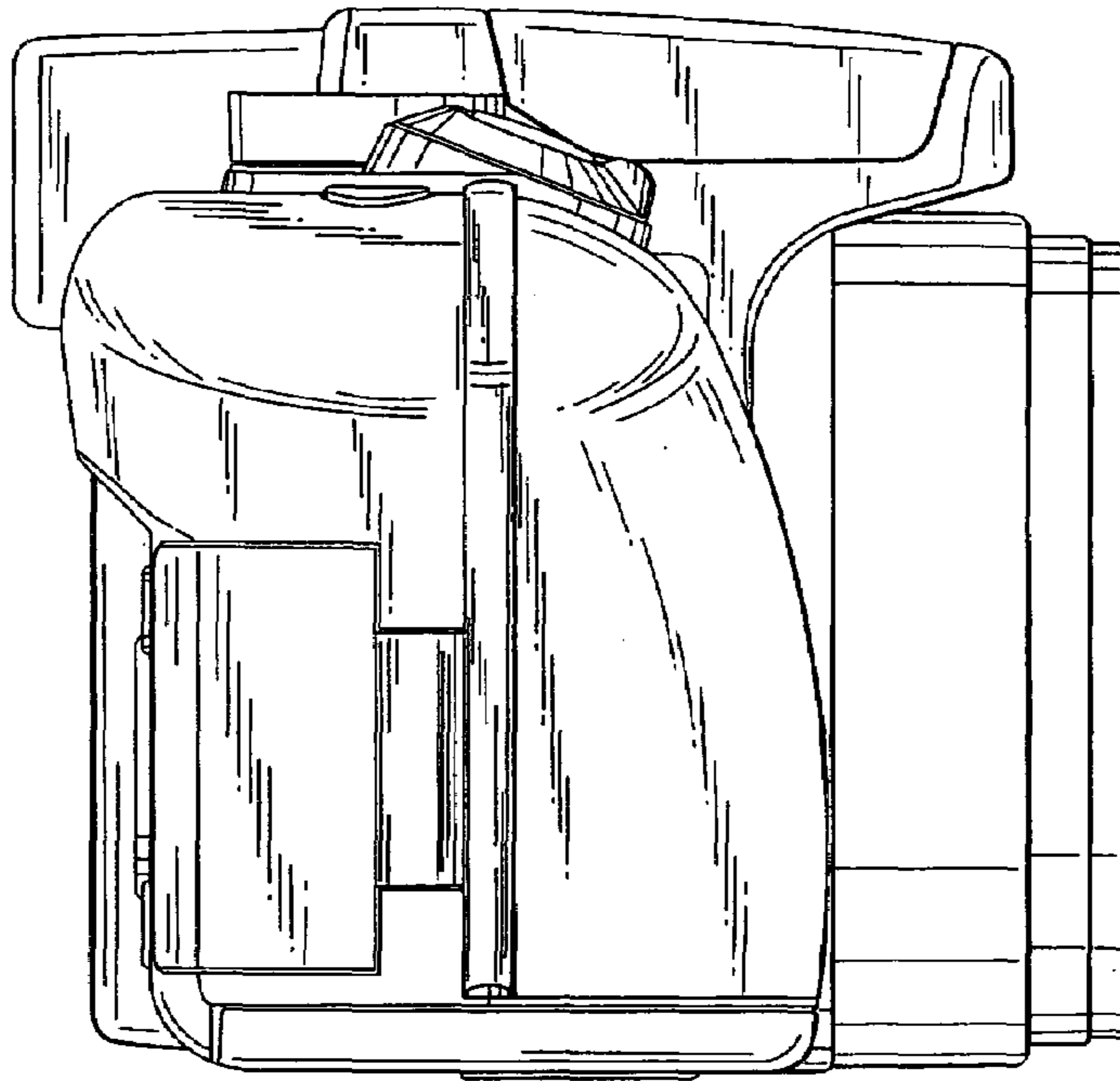


FIG.8

