

US00D568358S

(12) **United States Design Patent**
Shimobayashi

(10) **Patent No.:** **US D568,358 S**

(45) **Date of Patent:** **** May 6, 2008**

(54) **DIGITAL CAMERA**

D548,254 S * 8/2007 Tainaka D16/202

(75) Inventor: **Koji Shimobayashi**, Hachioji (JP)

OTHER PUBLICATIONS

(73) Assignee: **Olympus Imaging Corp.**, Tokyo (JP)

Website showing "Optio T10" Digital Camera from http://www.pentax.com.jp/japan/catalog/pdf/digital_comp_200604.pdf pp. 10-11.

(**) Term: **14 Years**

* cited by examiner

(21) Appl. No.: **29/271,812**

Primary Examiner—Adir Aronovich

(22) Filed: **Jan. 25, 2007**

(74) *Attorney, Agent, or Firm*—Straub and Pokotylo; John C. Pokotylo

(30) **Foreign Application Priority Data**

Dec. 28, 2006 (JP) 2006-036269

(57) **CLAIM**

(51) **LOC (8) Cl.** **16-01**

The ornamental design for a digital camera, as shown and described.

(52) **U.S. Cl.** **D16/202**

(58) **Field of Classification Search** D16/200–204,
D16/208, 209, 218; 348/373–376; 358/909.1;
396/535–541

DESCRIPTION

See application file for complete search history.

FIG. 1 is a front, top and right side perspective view of a digital camera, showing my new design;

FIG. 2 is a rear, top and left side perspective view thereof;

FIG. 3 is a front elevational view thereof;

FIG. 4 is a rear elevational view thereof;

FIG. 5 is a top plan view thereof;

FIG. 6 is a bottom plan view thereof;

FIG. 7 is a left side elevational view thereof; and,

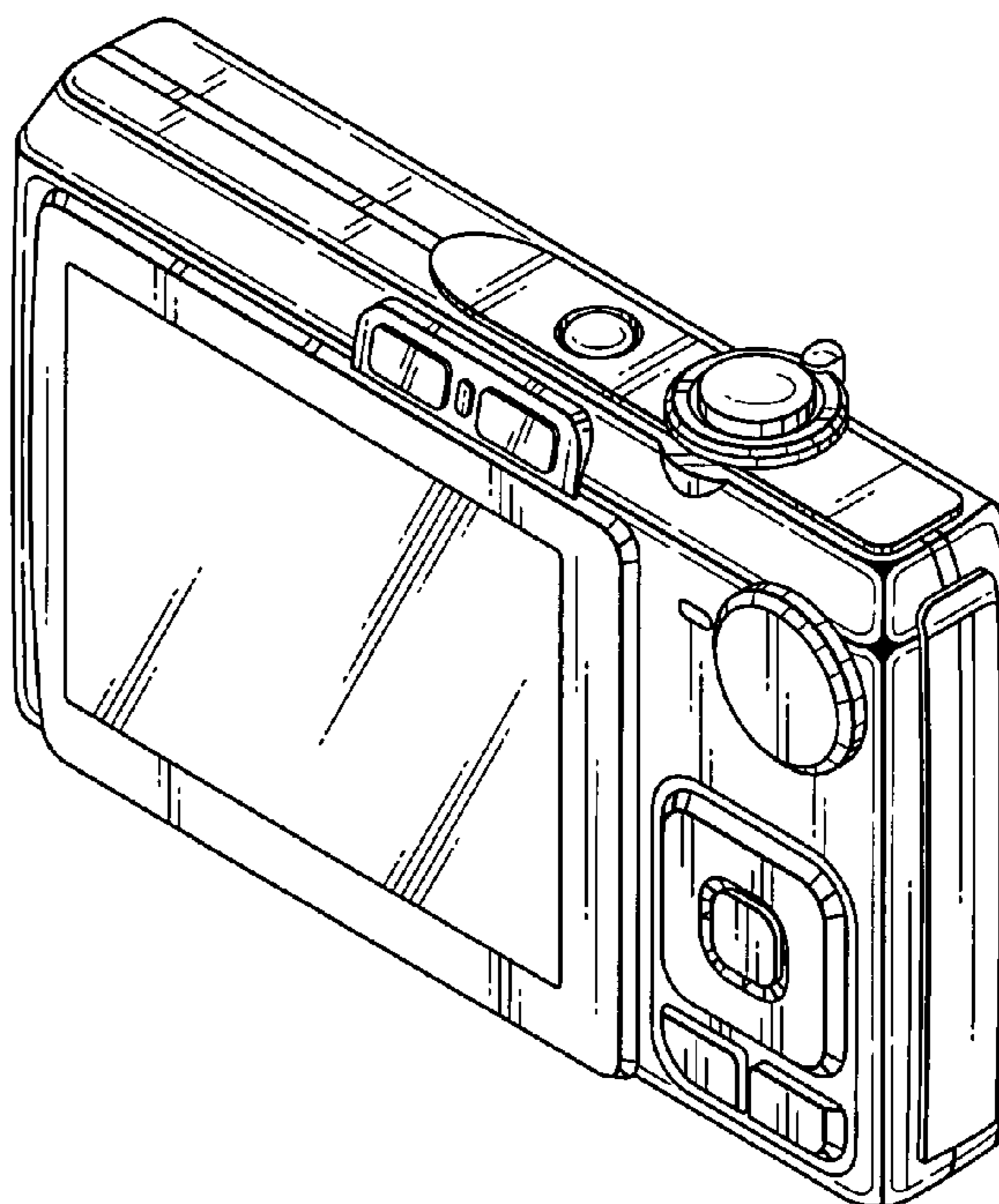
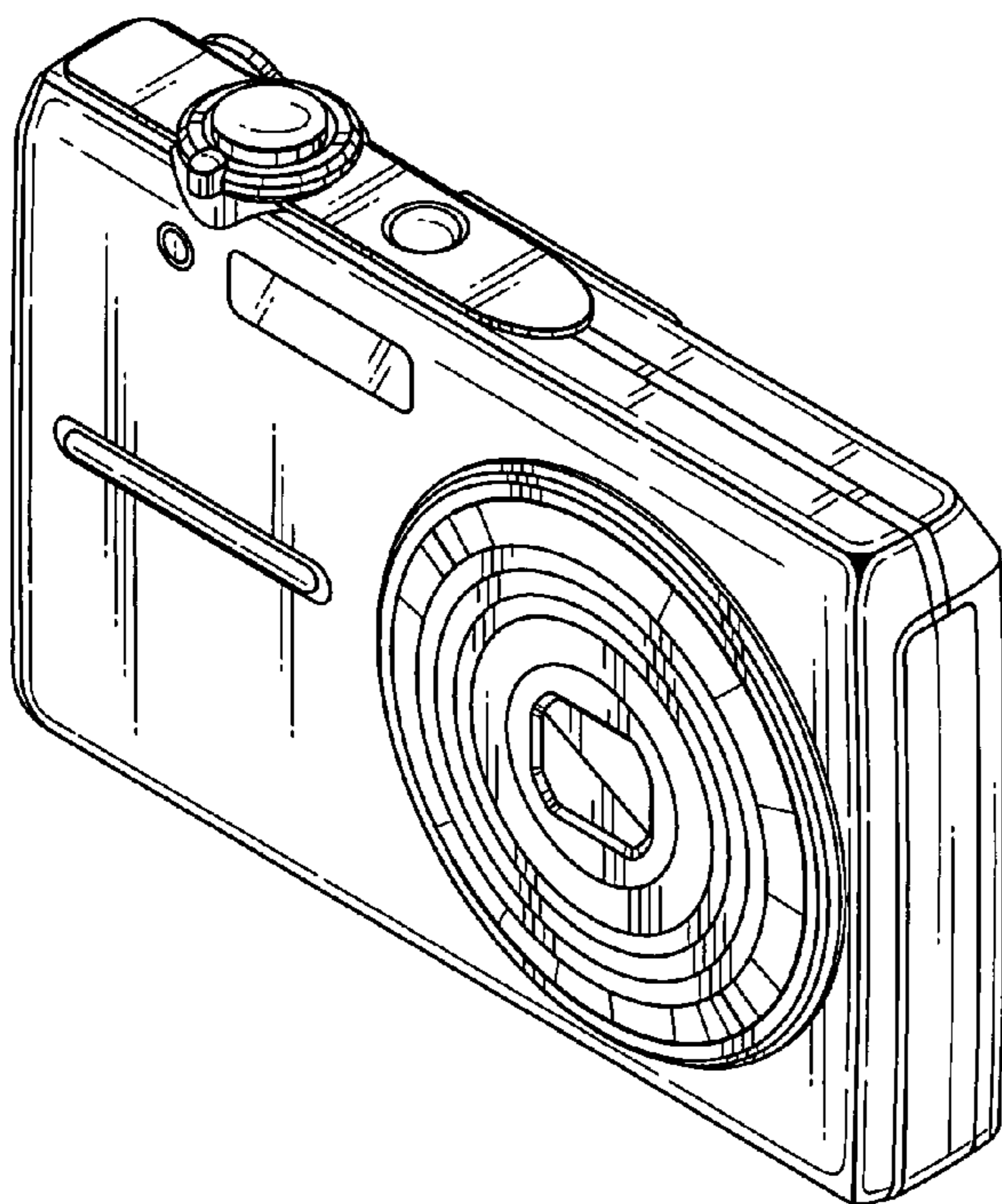
FIG. 8 is a right side elevational view thereof.

(56) **References Cited**

U.S. PATENT DOCUMENTS

- D388,805 S * 1/1998 Katayama D16/209
- D416,931 S * 11/1999 Funato et al. D16/209
- 6,434,337 B1 * 8/2002 Misawa 358/909.1
- D479,547 S * 9/2003 Nagayama D16/202
- D516,599 S * 3/2006 Nakamura D16/218
- D533,574 S * 12/2006 Hamamura D16/202
- D534,564 S * 1/2007 Tainaka D16/202
- D535,314 S * 1/2007 Chang D16/202

1 Claim, 3 Drawing Sheets



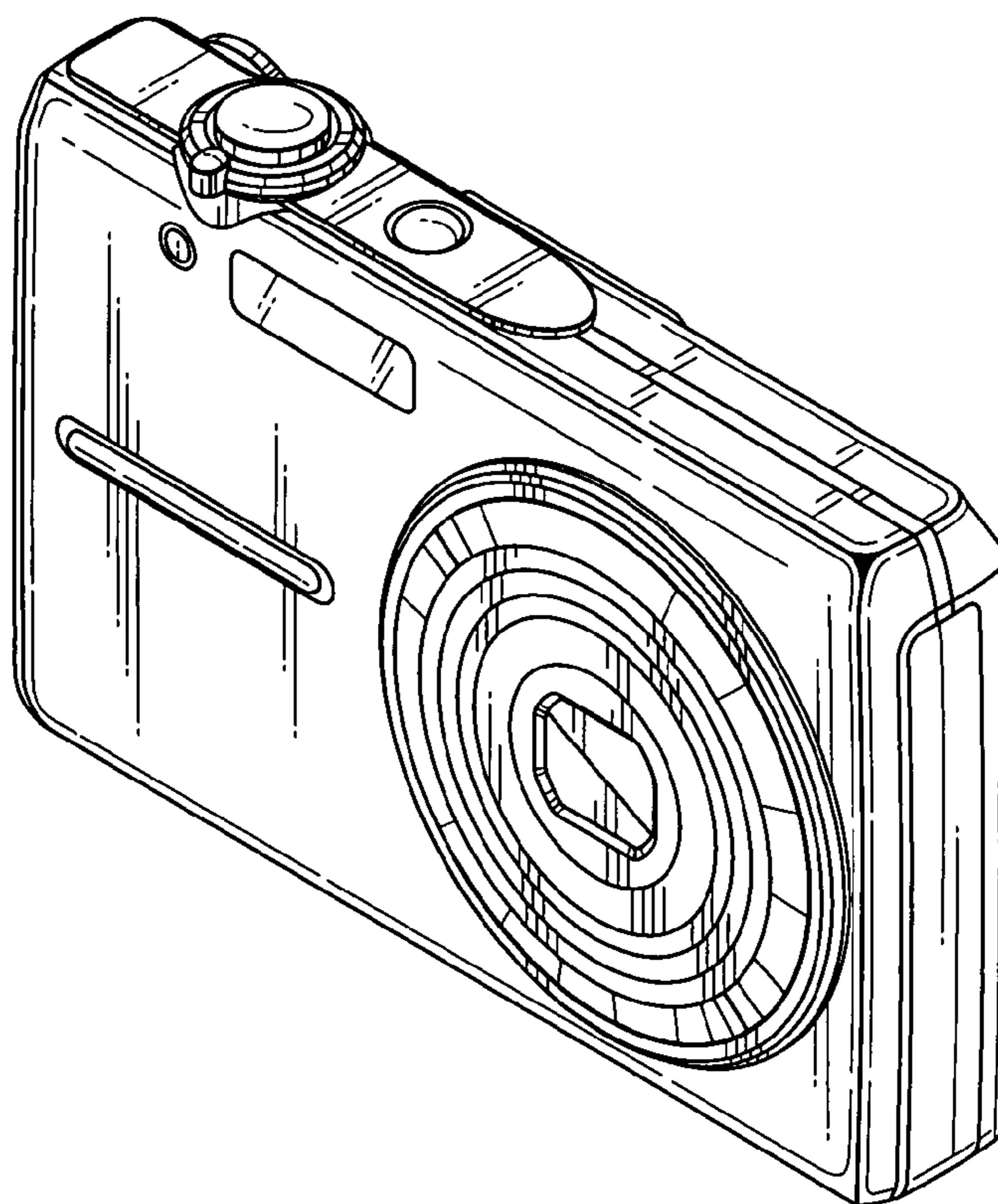


FIG.1

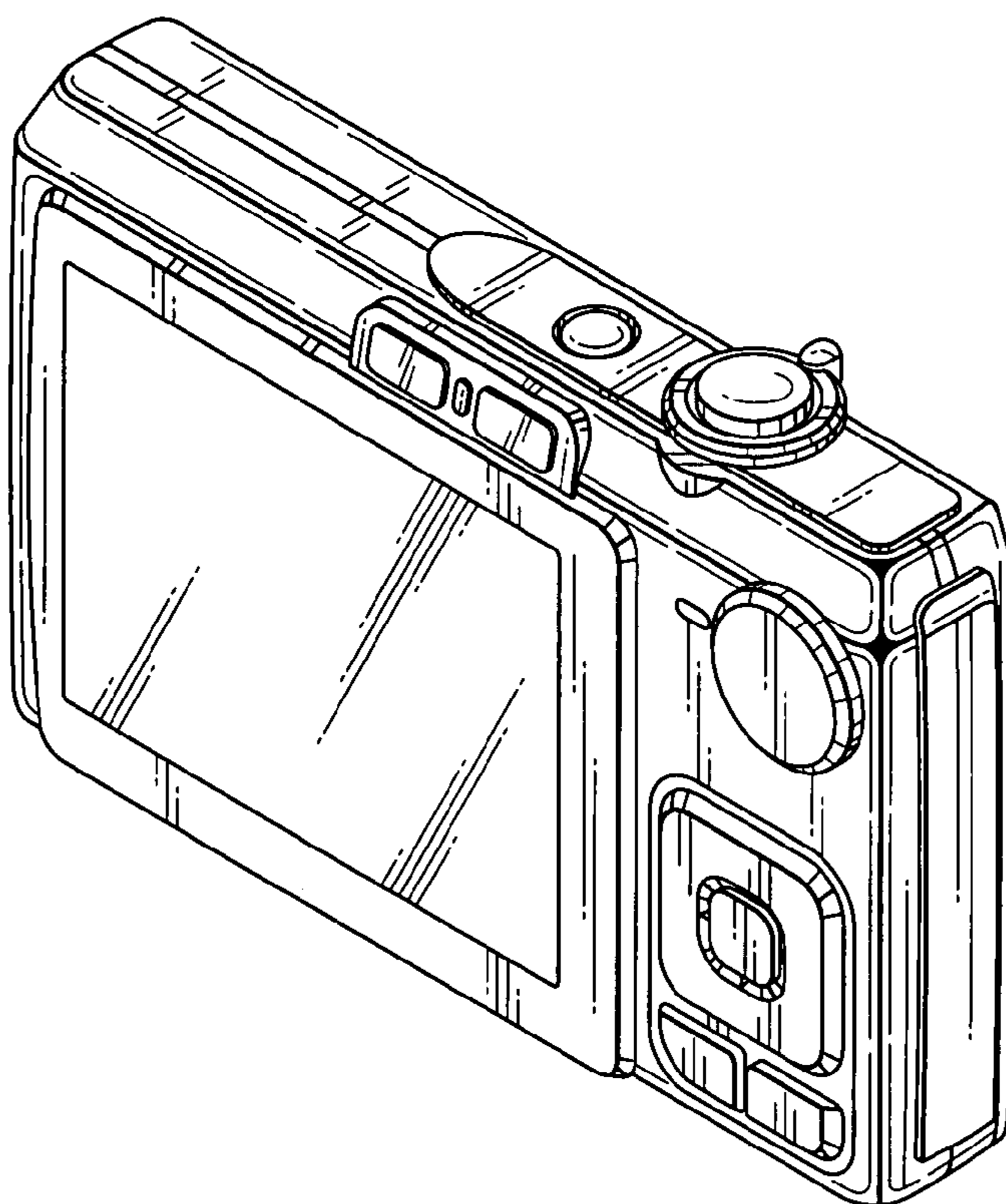


FIG.2

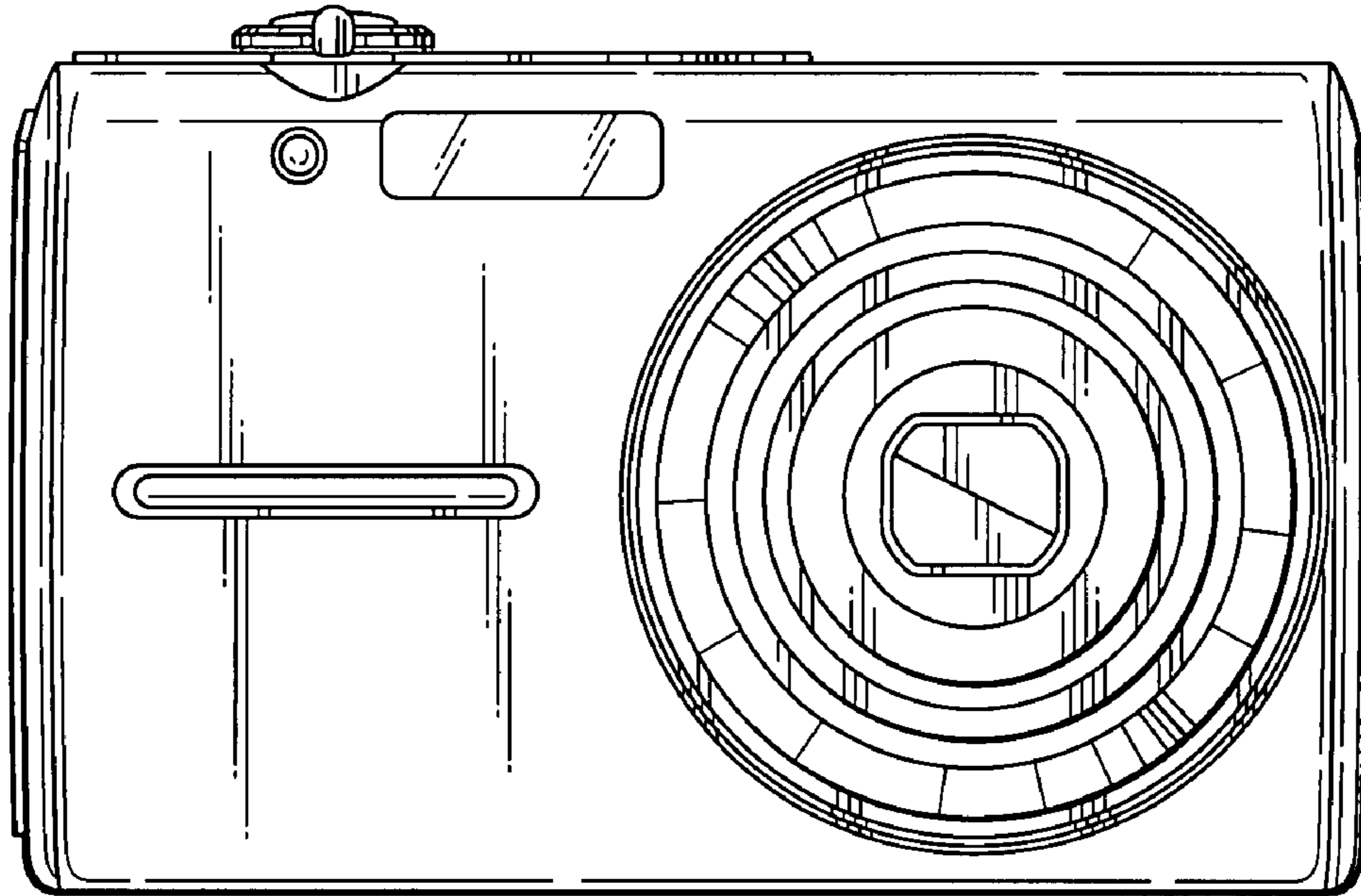


FIG.3

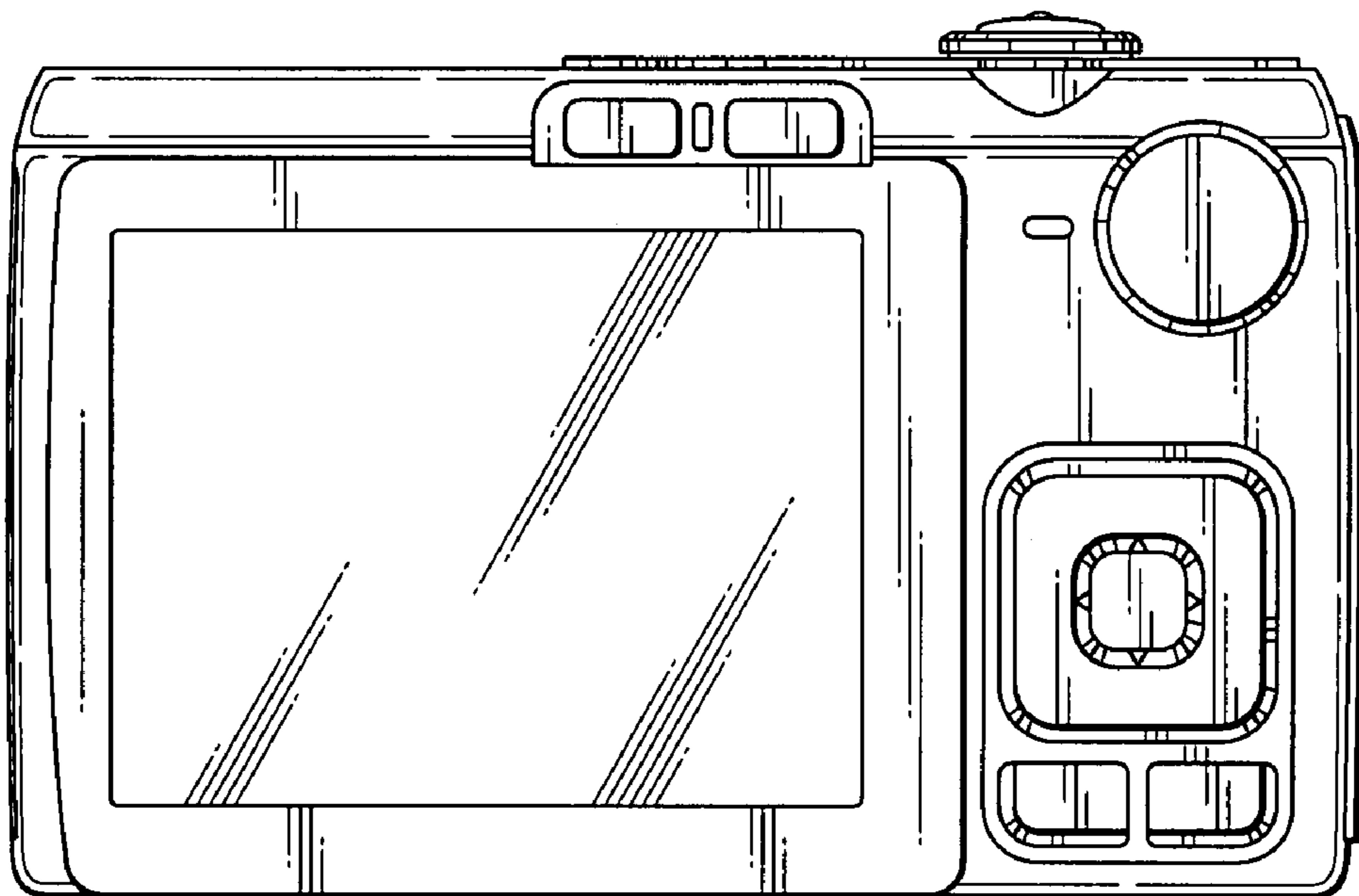


FIG.4

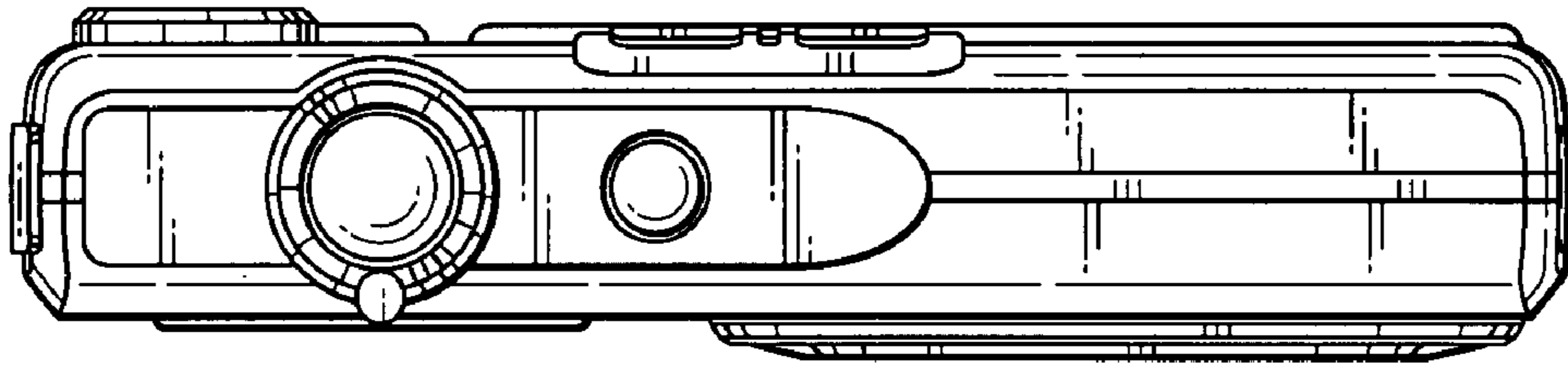


FIG. 5

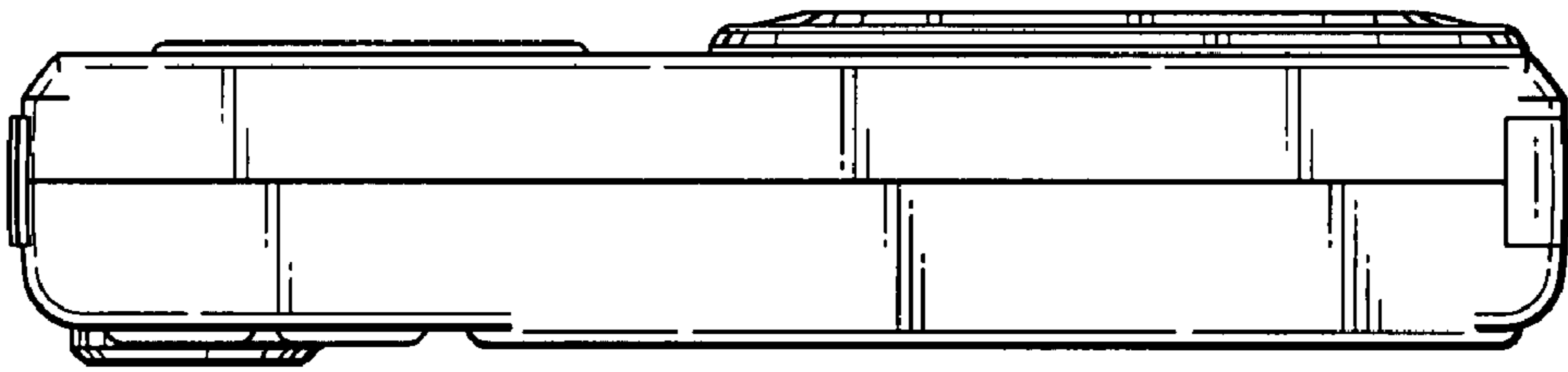


FIG. 6

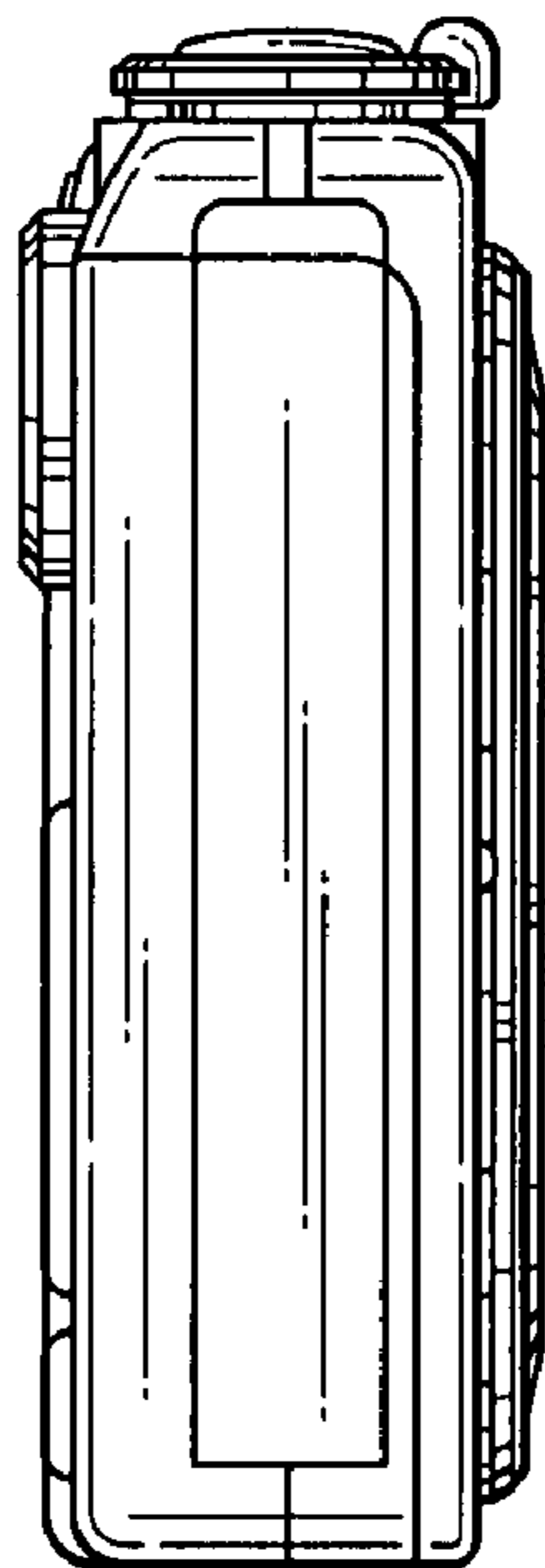


FIG. 7

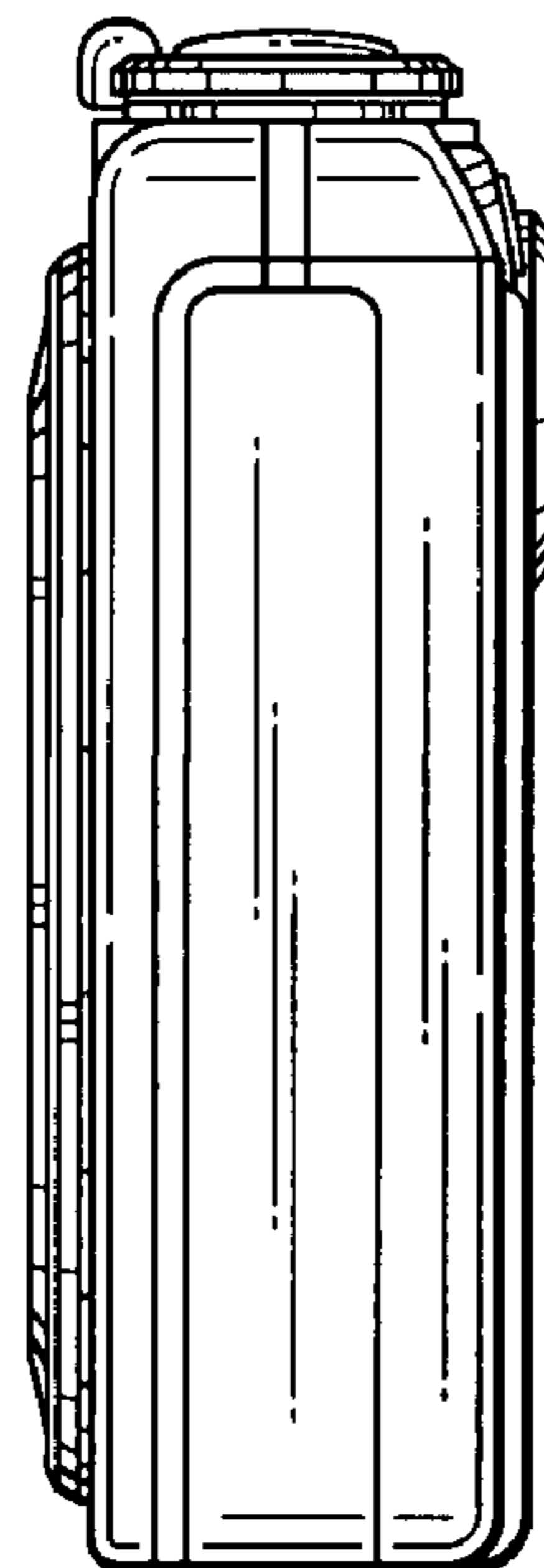


FIG. 8