

US00D568355S

(12) **United States Design Patent**
Naito

(10) **Patent No.:** **US D568,355 S**

(45) **Date of Patent:** **** May 6, 2008**

(54) **DIGITAL CAMERA**

FOREIGN PATENT DOCUMENTS

(75) Inventor: **Yoshitaka Naito**, Oume (JP)

JP D 1284873 10/2006

(73) Assignee: **Olympus Imaging Corp.**, Tokyo (JP)

OTHER PUBLICATIONS

(**) Term: **14 Years**

Japanese Office Action to Japanese Patent Application No. 2006-036061, mailed Nov. 20, 2007 (2 pgs.), with translation (1 pg).

(21) Appl. No.: **29/271,418**

* cited by examiner

(22) Filed: **Jan. 17, 2007**

Primary Examiner—Adir Aronovich

(30) **Foreign Application Priority Data**

(74) *Attorney, Agent, or Firm*—Straub and Pokotylo; John C. Pokotylo

Dec. 27, 2006 (JP) 2006-036061

(57) **CLAIM**

(51) **LOC (8) Cl.** **16-01**

The ornamental design for a digital camera, as shown and described.

(52) **U.S. Cl.** **D16/202**

(58) **Field of Classification Search** D16/200–204,
D16/208, 218, 219; 348/373–376; 358/909.1;
396/535–541

DESCRIPTION

See application file for complete search history.

FIG. 1 is a front, top and right side perspective view of a digital camera showing my new design;

(56) **References Cited**

FIG. 2 is a front, top and right side perspective view thereof with a lens extended;

U.S. PATENT DOCUMENTS

D497,926 S * 11/2004 Yanagisawa et al. D16/202

FIG. 3 is a front elevational view thereof;

D516,599 S * 3/2006 Nakamura D16/202

FIG. 4 is a rear elevational view thereof;

D533,574 S * 12/2006 Hamamura D16/202

FIG. 5 is a top plan view thereof;

D534,564 S * 1/2007 Tainaka D16/202

FIG. 6 is a bottom plan view thereof;

D535,314 S * 1/2007 Chang D16/202

FIG. 7 is a right side elevational view thereof; and,

D537,093 S * 2/2007 Nakamura D16/202

FIG. 8 is a left side elevational view thereof.

D548,257 S * 8/2007 Onuma et al. D16/202

2005/0057685 A1 * 3/2005 Yamaguchi 348/375

1 Claim, 4 Drawing Sheets

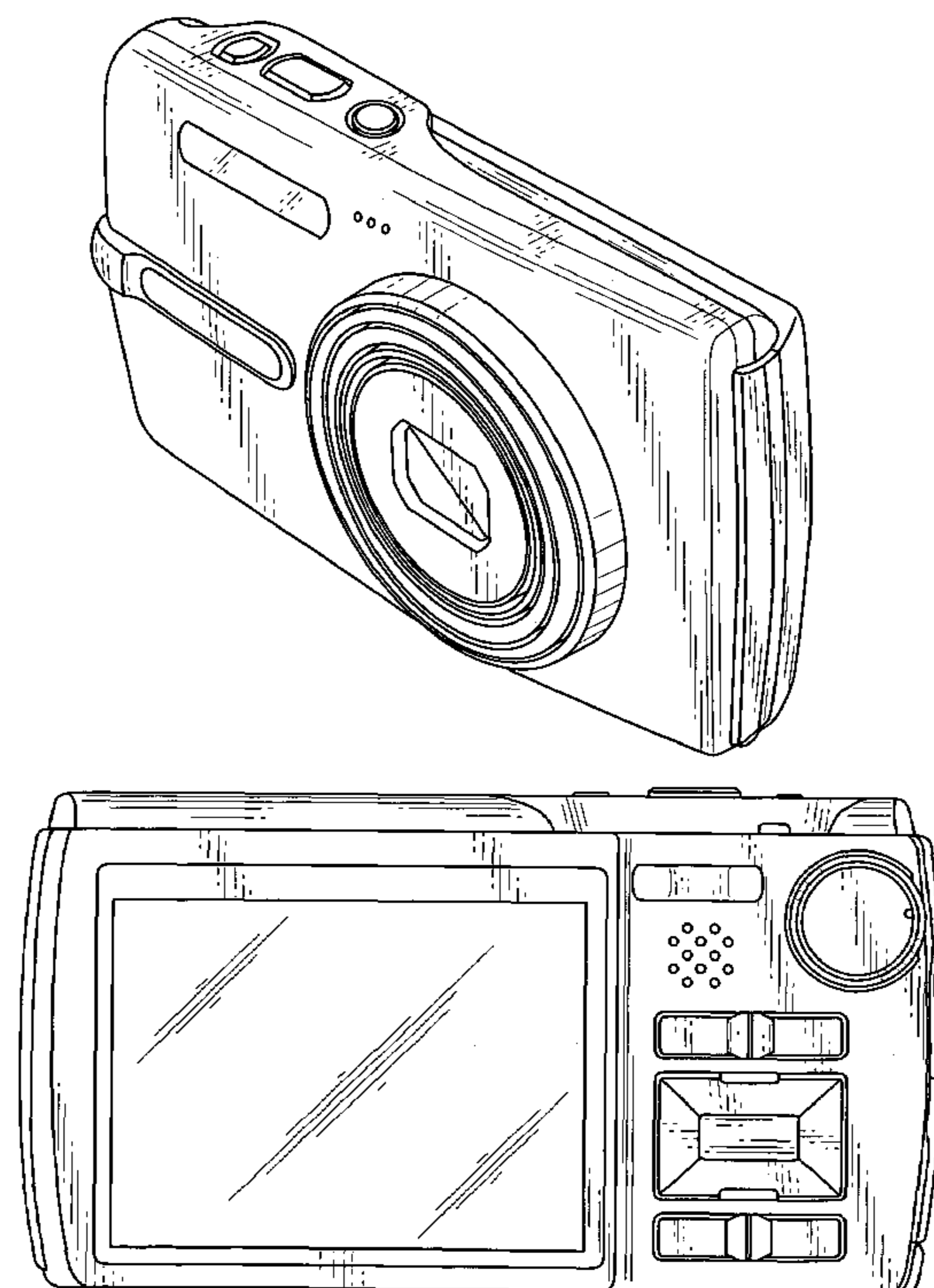


FIG. 1

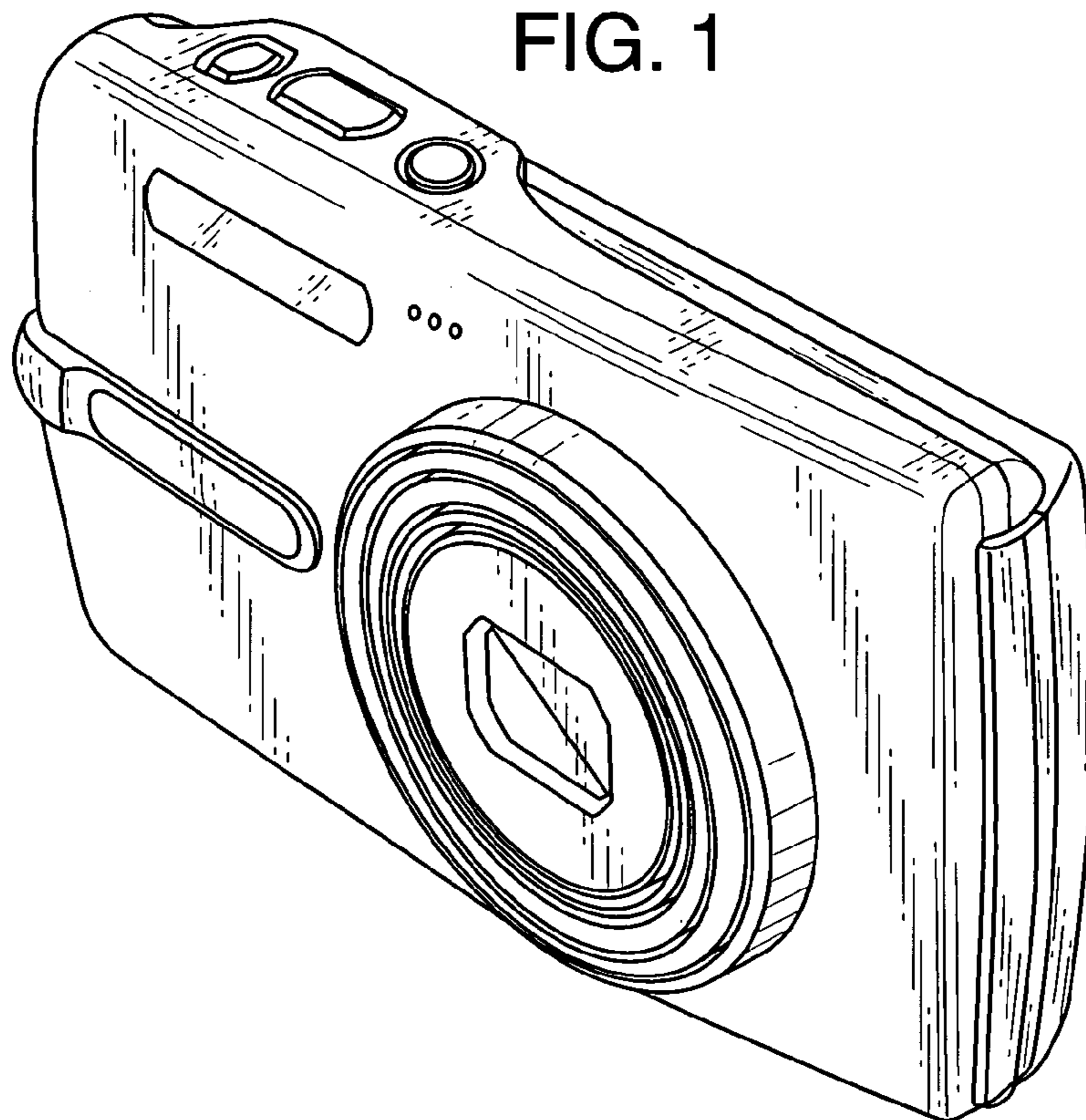


FIG. 2

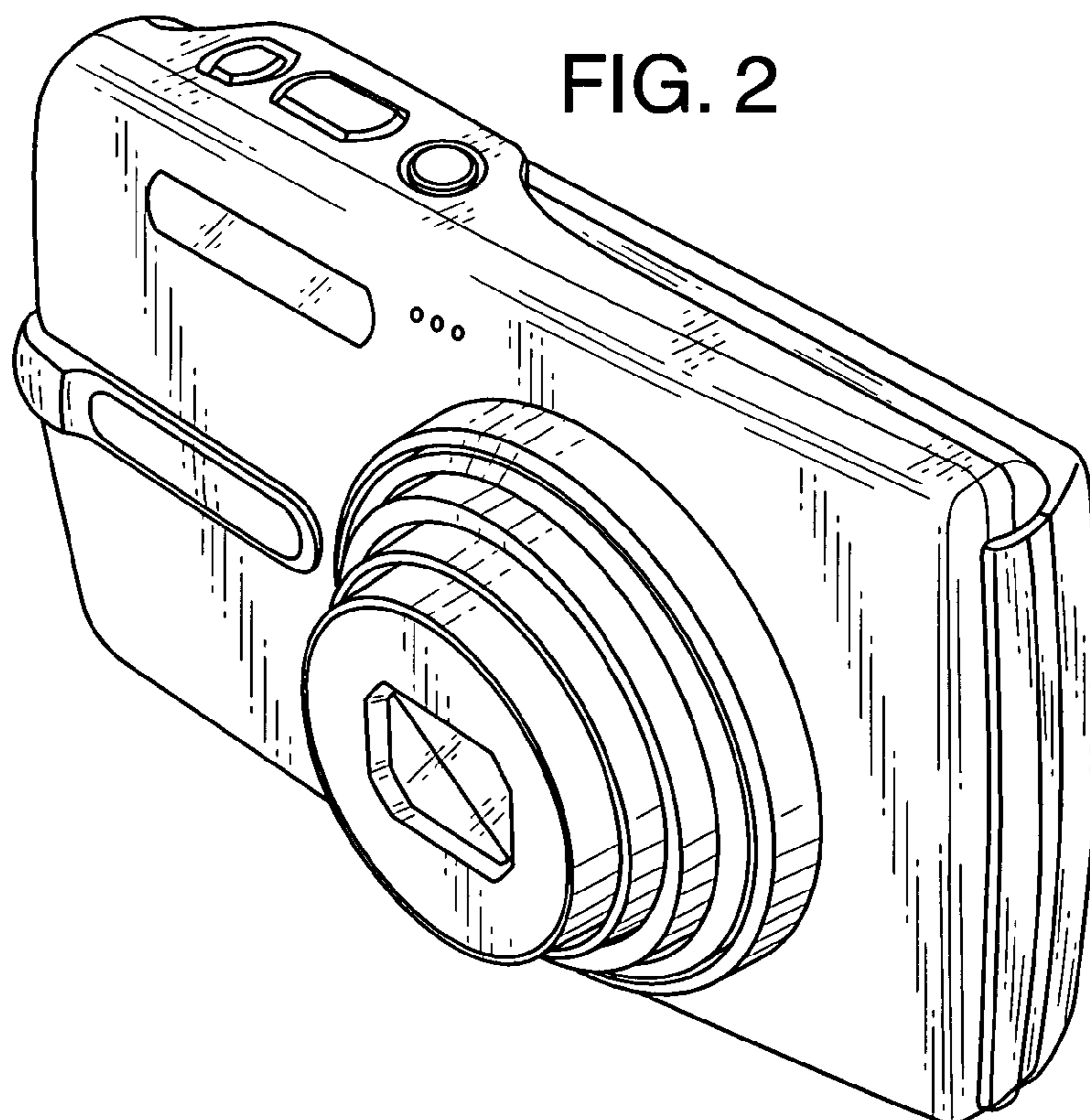


FIG. 3

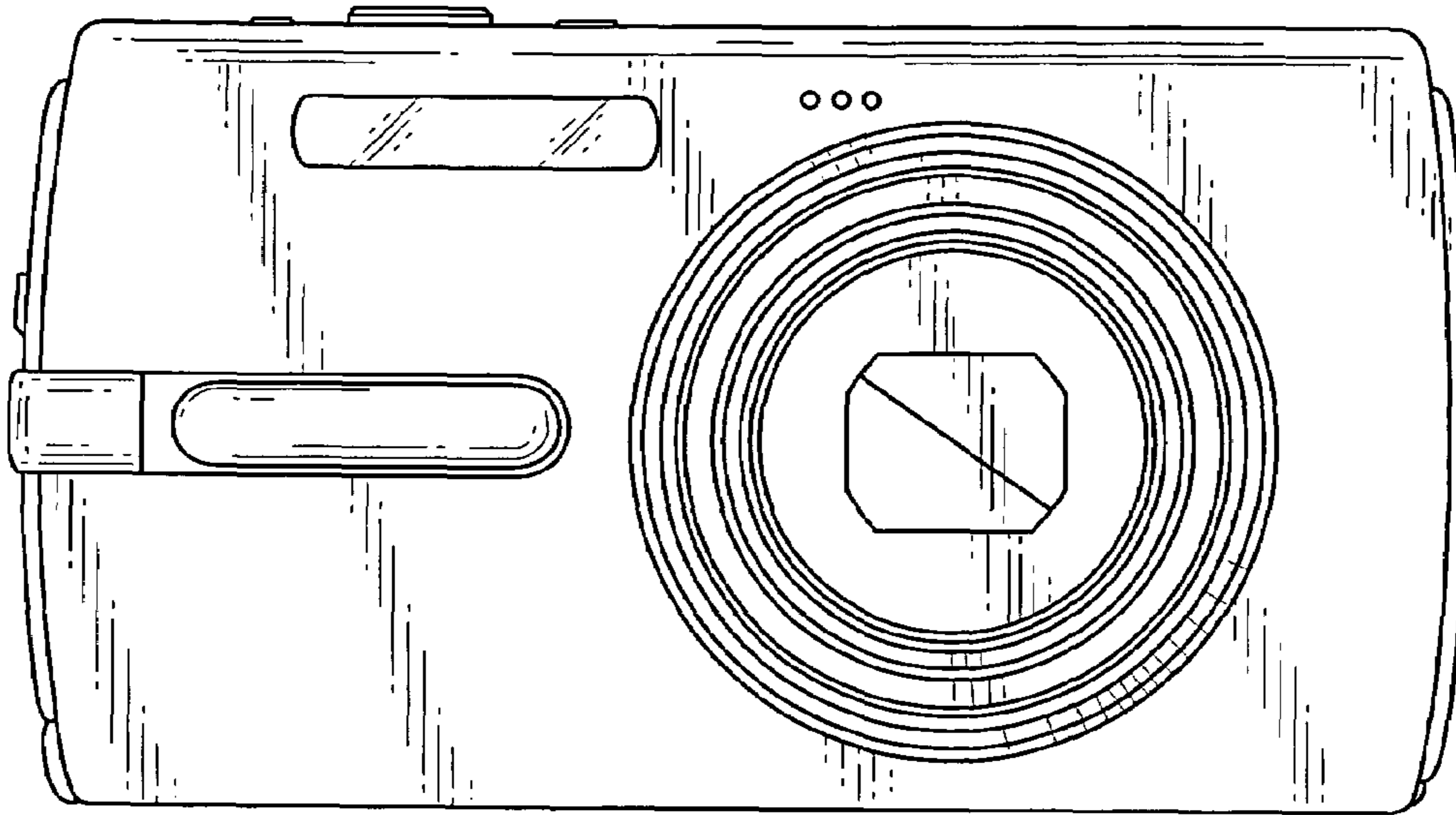


FIG. 4

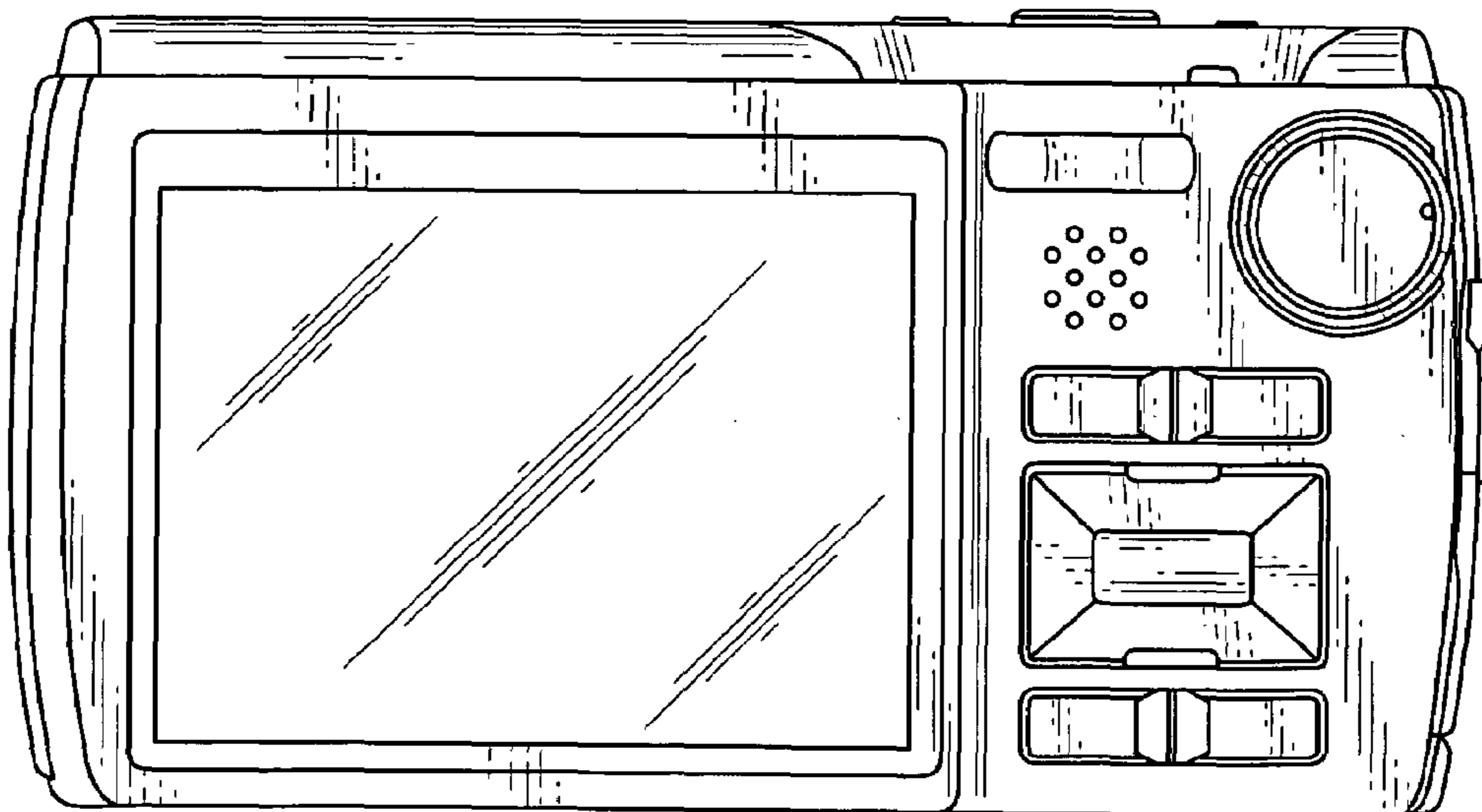


FIG. 5

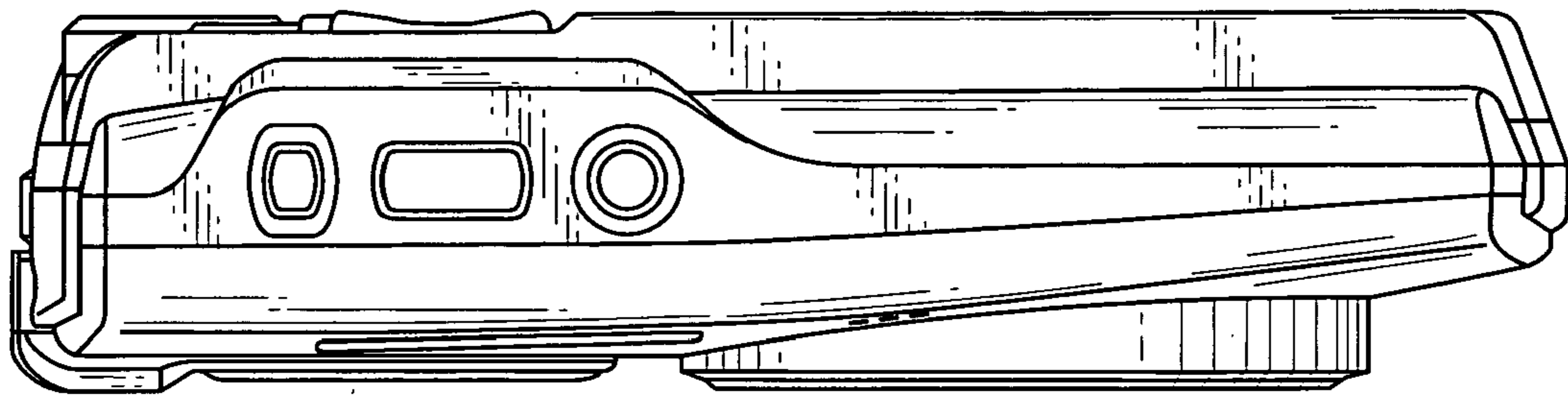


FIG. 6

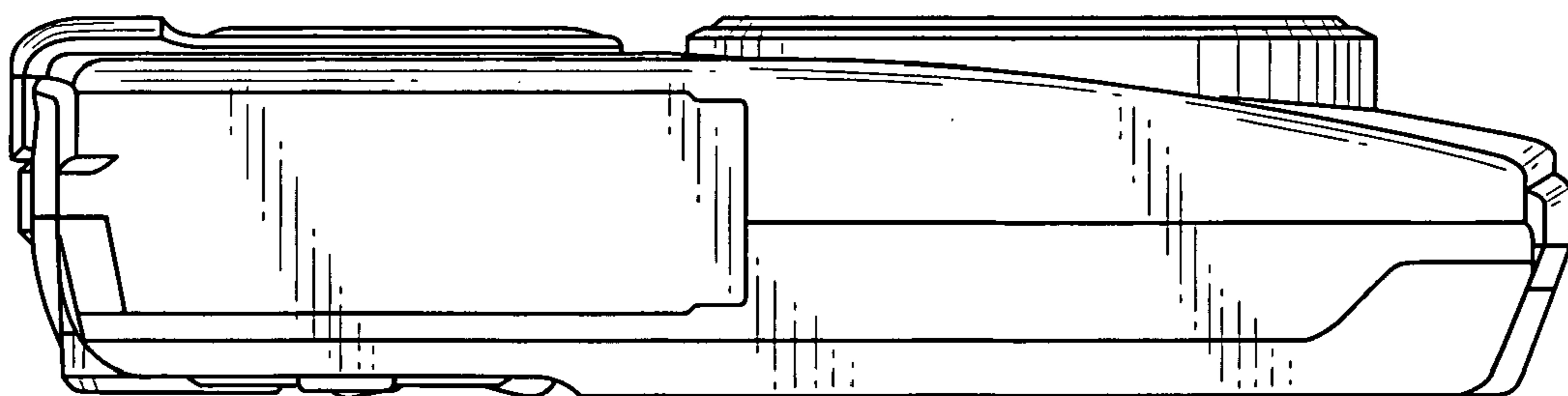


FIG. 7



FIG. 8

