



US00D568353S

(12) **United States Design Patent**
Krause

(10) **Patent No.:** **US D568,353 S**

(45) **Date of Patent:** **** May 6, 2008**

(54) **MAGNIFYING GLASS**

(75) Inventor: **Klaus-Diether Krause**, Diethenhofen
(DE)

(73) Assignee: **A. Schweizer GmbH Optische Fabrik**,
Forchheim (DE)

(**) Term: **14 Years**

(21) Appl. No.: **29/267,196**

(22) Filed: **Oct. 6, 2006**

(30) **Foreign Application Priority Data**

Apr. 6, 2006 (EM) 000554993

(51) **LOC (8) Cl.** **16-06**

(52) **U.S. Cl.** **D16/135**

(58) **Field of Classification Search** D16/130,
D16/135; D26/37, 38; D21/486; D24/137;
362/157, 158, 184, 186; 359/802, 803, 805,
359/808, 809, 810, 811; 600/558; 340/321
See application file for complete search history.

(56) **References Cited**

U.S. PATENT DOCUMENTS

D135,422 S * 4/1943 Austin D16/135
2,656,529 A * 10/1953 Burgess 340/321

3,114,143 A * 12/1963 Robinson 340/321
D201,908 S * 8/1965 Meyer D26/37
D269,275 S * 6/1983 Tweedie D16/135
D289,197 S * 4/1987 Ware et al. D24/137
D297,571 S * 9/1988 Mann D26/37
D298,634 S * 11/1988 Yuen D16/135
D320,463 S * 10/1991 Pettersen et al. D26/37
D324,060 S * 2/1992 Huang D16/135
D423,030 S * 4/2000 Yuen D16/135

* cited by examiner

Primary Examiner—Paula A. Greene

(74) *Attorney, Agent, or Firm*—Laurence A. Greenberg;
Werner H. Stemer; Ralph E. Locher

(57) **CLAIM**

The ornamental design for the magnifying glass, as shown
and described.

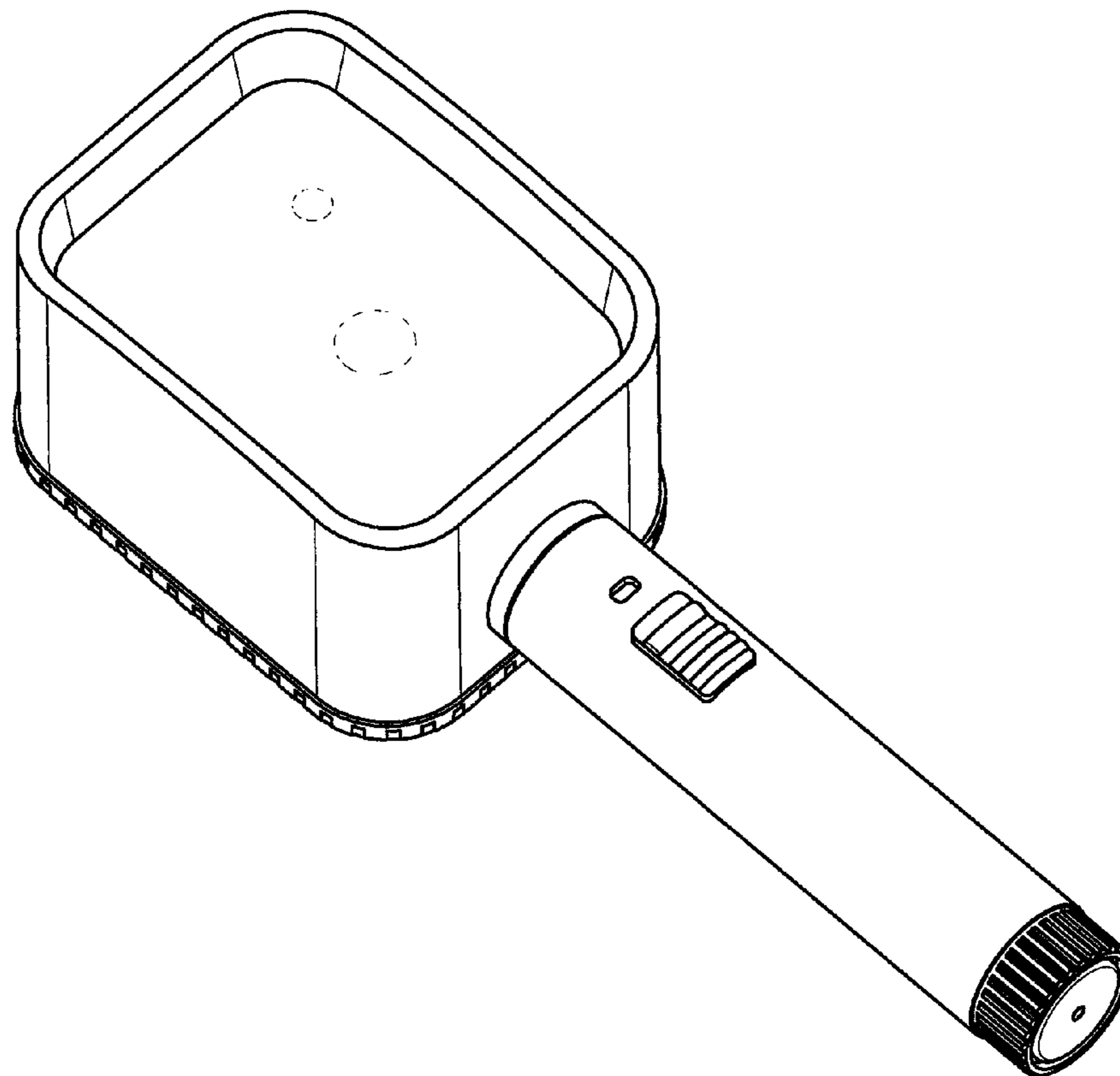
DESCRIPTION

FIG. 1 is a top perspective view of a magnifying glass
showing my new design, the opposite side is a mirror image;
and,

FIG. 2 is a bottom plan view thereof.

The broken lines in FIG. 1 are included for the purpose of
illustration and form no part of the claimed design.

1 Claim, 2 Drawing Sheets



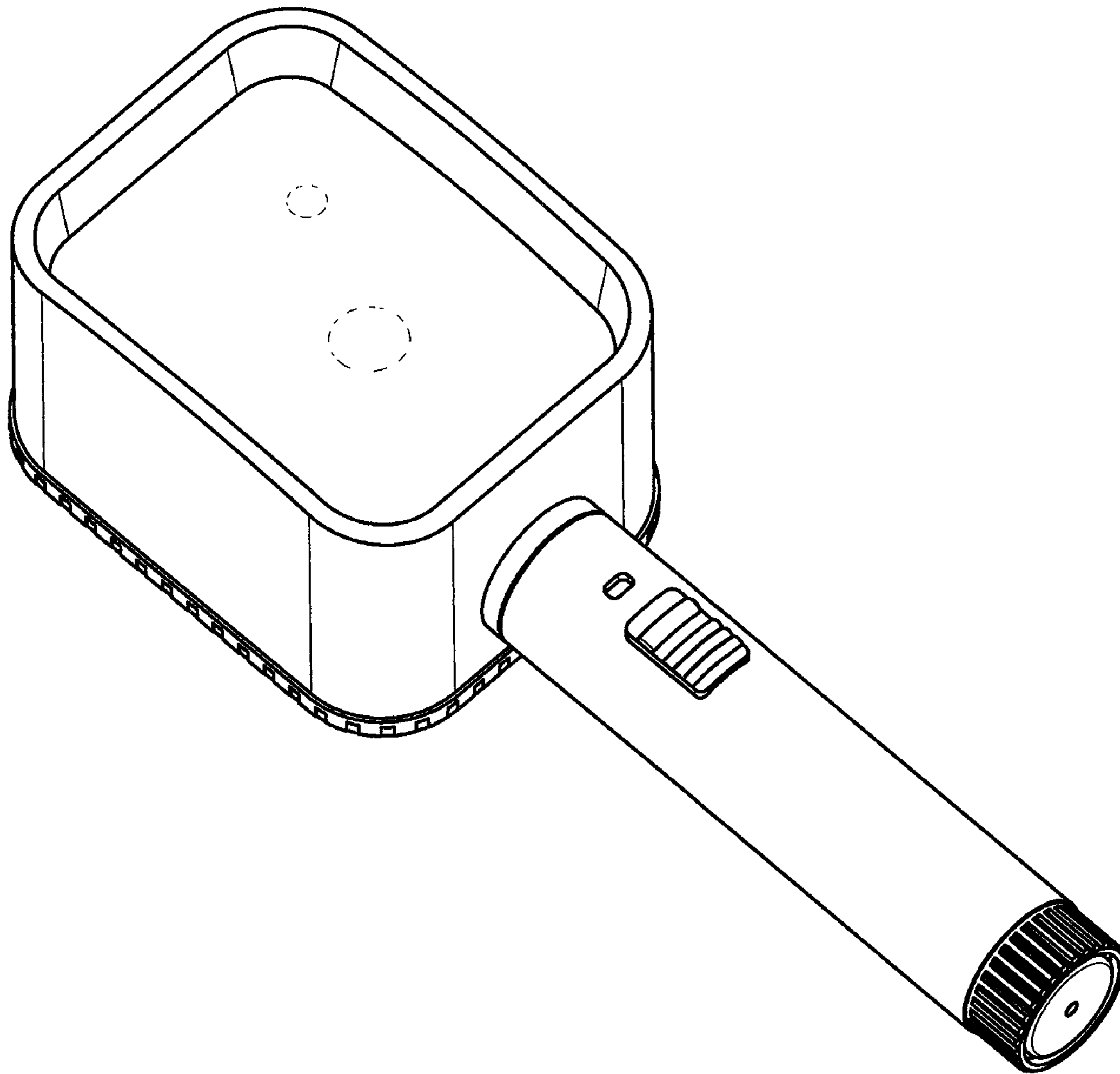


FIG. 1

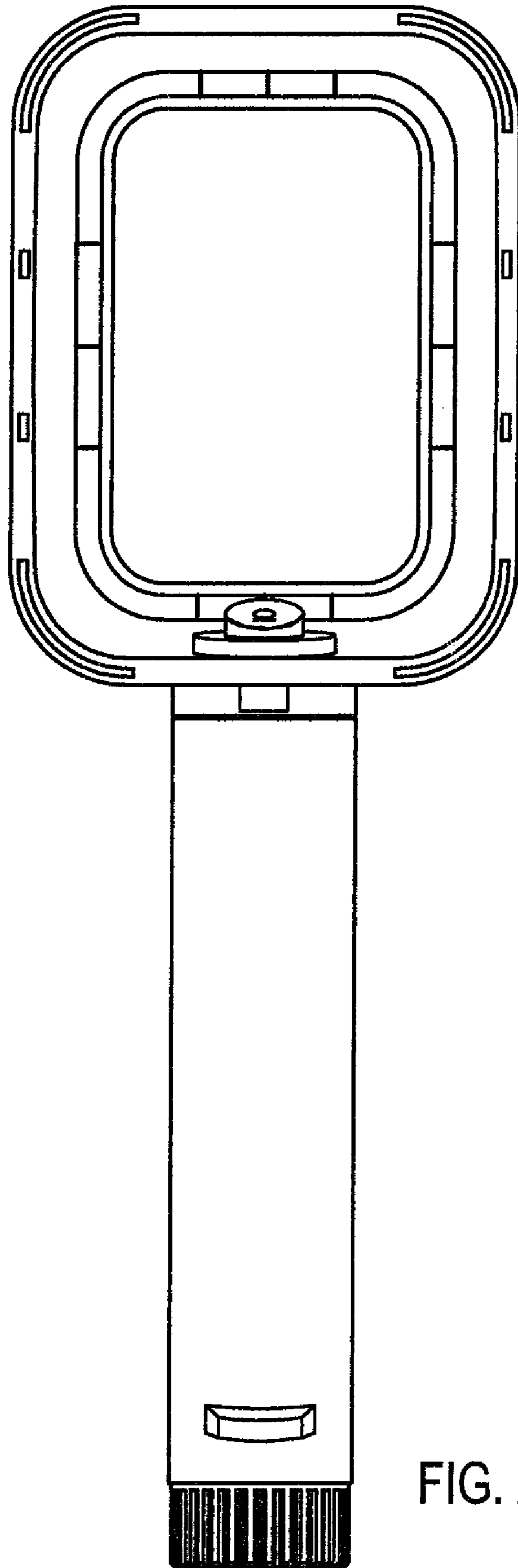


FIG. 2