



US00D568352S

(12) **United States Design Patent**  
**Krause**

(10) **Patent No.:** **US D568,352 S**

(45) **Date of Patent:** **\*\* May 6, 2008**

(54) **MAGNIFYING GLASS**

(75) **Inventor:** **Klaus-Diether Krause**, Diethenhofen  
(DE)

(73) **Assignee:** **A. Schweizer GmbH Optische Fabrik**,  
Forchheim (DE)

(\*\*) **Term:** **14 Years**

(21) **Appl. No.:** **29/267,195**

(22) **Filed:** **Oct. 6, 2006**

(30) **Foreign Application Priority Data**

Apr. 6, 2006 (EP) ..... 554993

(51) **LOC (8) Cl.** ..... **16-06**

(52) **U.S. Cl.** ..... **D16/135**

(58) **Field of Classification Search** ..... D16/130,  
D16/135; D26/37, 38; D21/486; D24/137;  
362/157, 158, 184, 186; 359/802, 803, 805,  
359/808, 809, 810, 811; 600/558; 340/321  
See application file for complete search history.

(56) **References Cited**

**U.S. PATENT DOCUMENTS**

D135,422 S \* 4/1943 Austin ..... D16/135

2,656,529 A \* 10/1953 Burgess ..... 340/321  
D201,908 S \* 8/1965 Meyer ..... D26/37  
D269,275 S \* 6/1983 Tweedie ..... D16/135  
D289,197 S \* 4/1987 Ware et al. .... D24/137  
D297,571 S \* 9/1988 Mann ..... D26/37  
D298,634 S \* 11/1988 Yuen ..... D16/135  
D320,463 S \* 10/1991 Pettersen et al. .... D26/37  
D324,060 S \* 2/1992 Huang ..... D16/135  
D423,030 S \* 4/2000 Yuen ..... D16/135

\* cited by examiner

*Primary Examiner*—Paula A. Greene

(74) *Attorney, Agent, or Firm*—Laurence A. Greenberg;  
Werner H. Stemer; Ralph E. Locher

(57) **CLAIM**

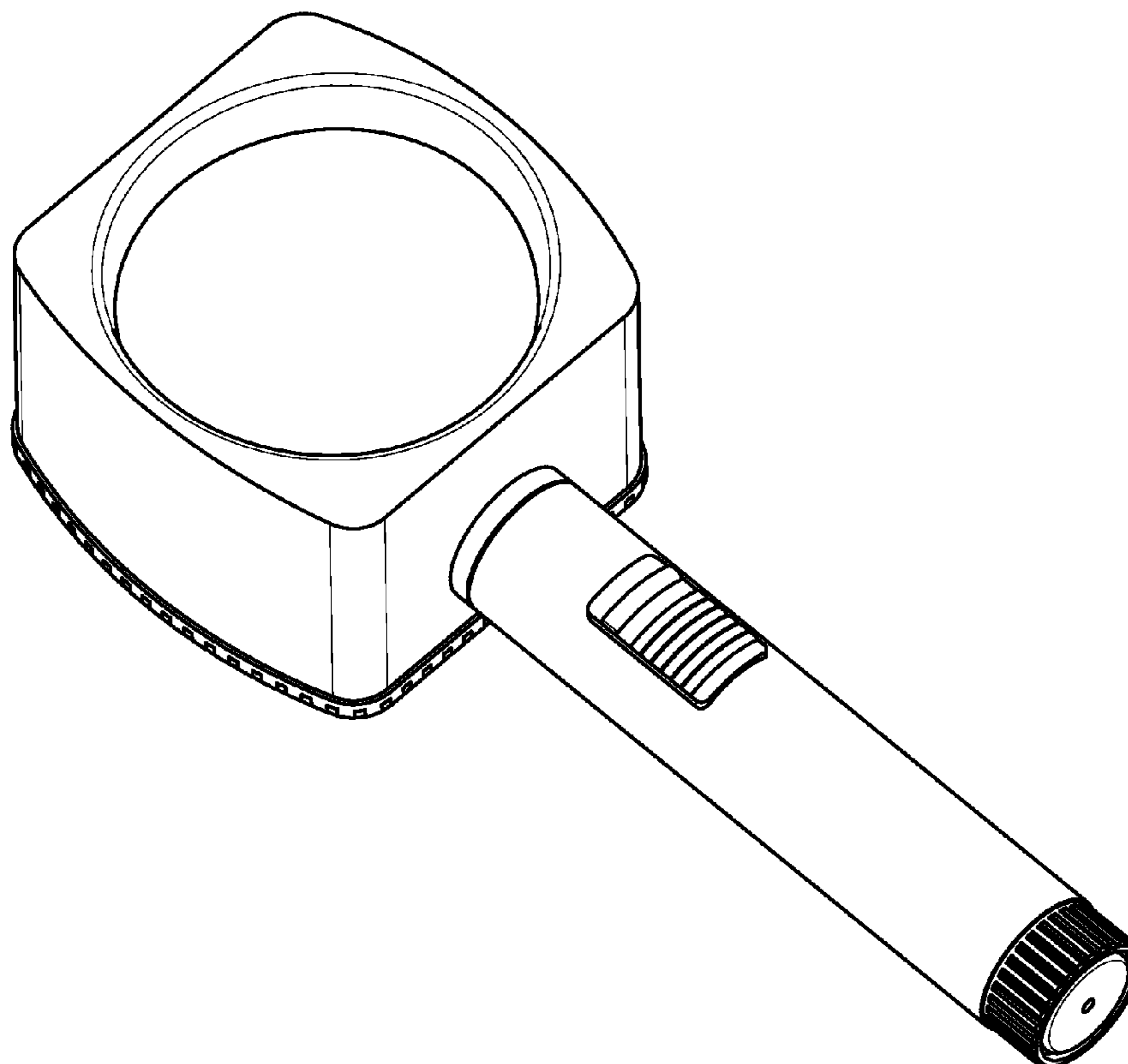
The ornamental design for the magnifying glass, as shown  
and described.

**DESCRIPTION**

FIG. 1 is a front perspective view of a magnifying glass  
showing my new design, the opposite side is a mirror image;  
and,

FIG. 2 is a bottom plan view thereof.

**1 Claim, 2 Drawing Sheets**



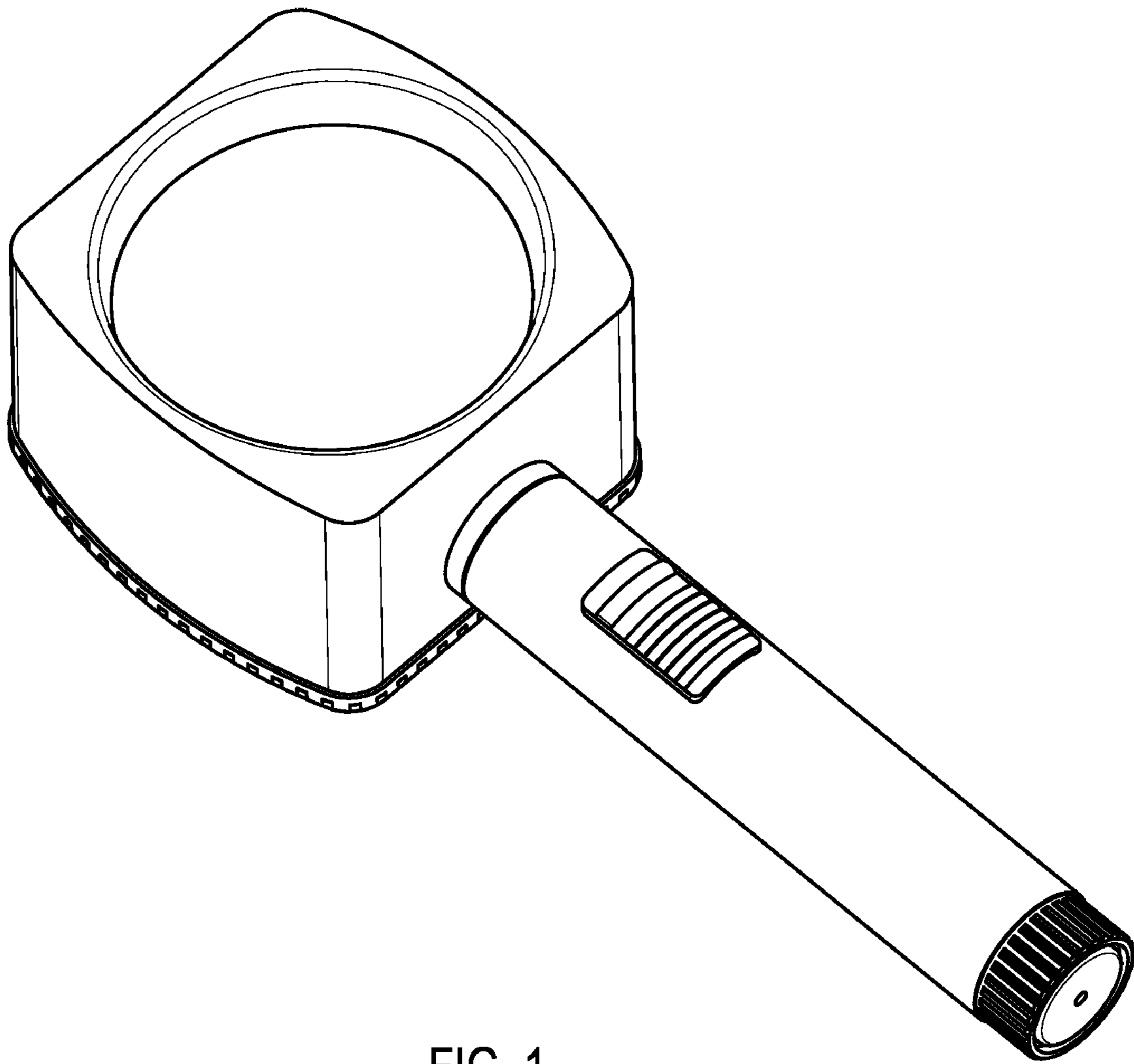


FIG. 1

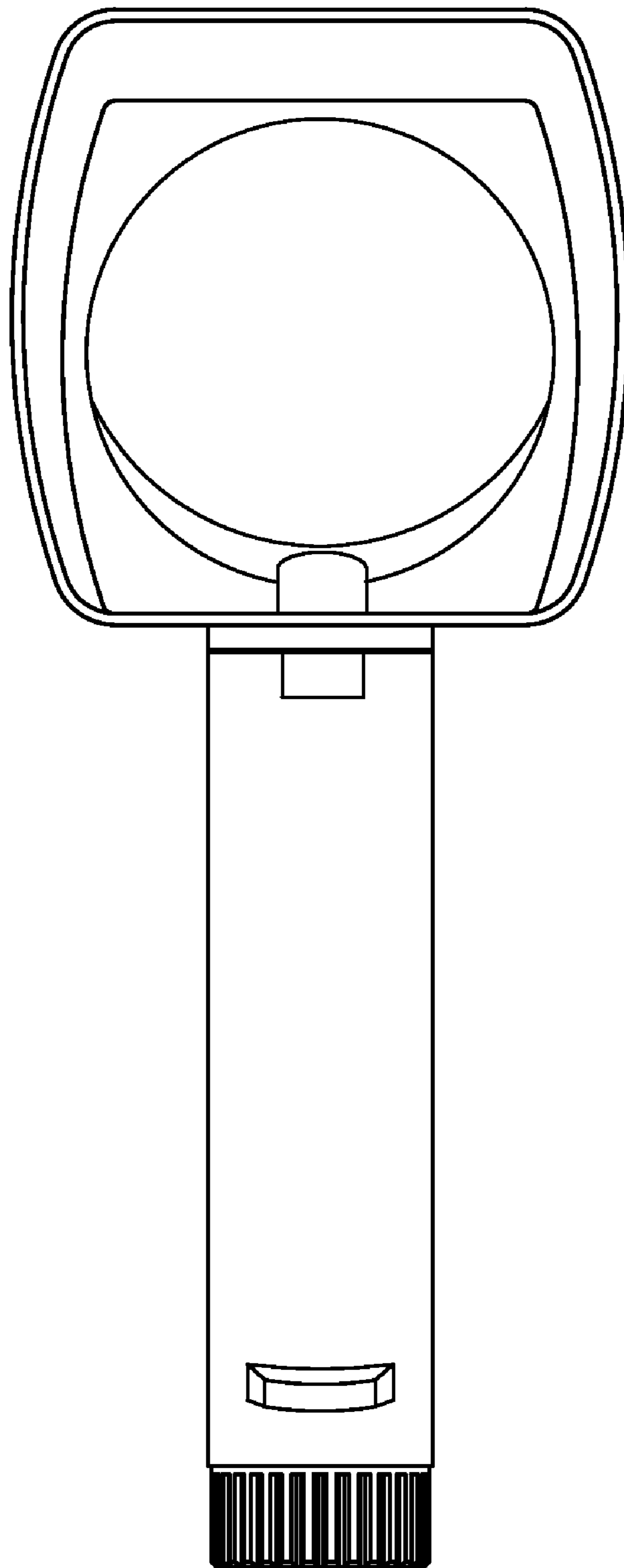


FIG. 2