

US00D568351S

(12) **United States Design Patent**  
**Giliberti**

(10) **Patent No.:** **US D568,351 S**

(45) **Date of Patent:** **\*\* May 6, 2008**

(54) **OIL DISPENSER COMPRISING ANCILLARY EQUIPMENT FOR USE IN A CAR REPAIR SHOP**

D409,207 S \* 5/1999 Alvern et al. .... D15/9.1  
D477,620 S \* 7/2003 Few ..... D15/151  
D504,449 S \* 4/2005 Butchko ..... D15/151  
D537,458 S \* 2/2007 Breaser ..... D15/150  
2004/0194852 A1\* 10/2004 Few ..... 141/98

(75) Inventor: **Rosario Giliberti**, Reggio Emilia (IT)

\* cited by examiner

(73) Assignee: **Filcar S.p.A.**, Reggio Emilia (IT)

*Primary Examiner*—Antoine D. Davis

(\*\*) Term: **14 Years**

*Assistant Examiner*—Patricia Palasik

(21) Appl. No.: **29/243,035**

(74) *Attorney, Agent, or Firm*—Ladas & Parry LLP

(22) Filed: **Nov. 17, 2005**

(57) **CLAIM**

(30) **Foreign Application Priority Data**

The ornamental design for an oil dispenser comprising ancillary equipment for use in a car repair shop, as shown and described.

May 17, 2005 (IT) ..... BO2005O0013

(51) **LOC (8) Cl.** ..... **15-09**

**DESCRIPTION**

(52) **U.S. Cl.** ..... **D15/151**

(58) **Field of Classification Search** ..... D15/9.1,  
D15/150, 151, 199; D25/3; D32/4; 141/86,  
141/98, 231; 184/6.28, 6.4, 27.1, 27.3, 31,  
184/58, 65, 81, 106, 108; 222/389, 608–628;  
280/47.23, 47.26

FIG. 1 is a perspective view of the present design relating to an oil dispenser comprising ancillary equipment for use in a car repair shop;

See application file for complete search history.

FIG. 2 is a front view thereof;

(56) **References Cited**

FIG. 3 is a rear view thereof;

**U.S. PATENT DOCUMENTS**

D322,444 S \* 12/1991 Shea ..... D15/150  
D399,850 S \* 10/1998 Alvern et al. .... D15/9.1  
D401,602 S \* 11/1998 Alvern et al. .... D15/151

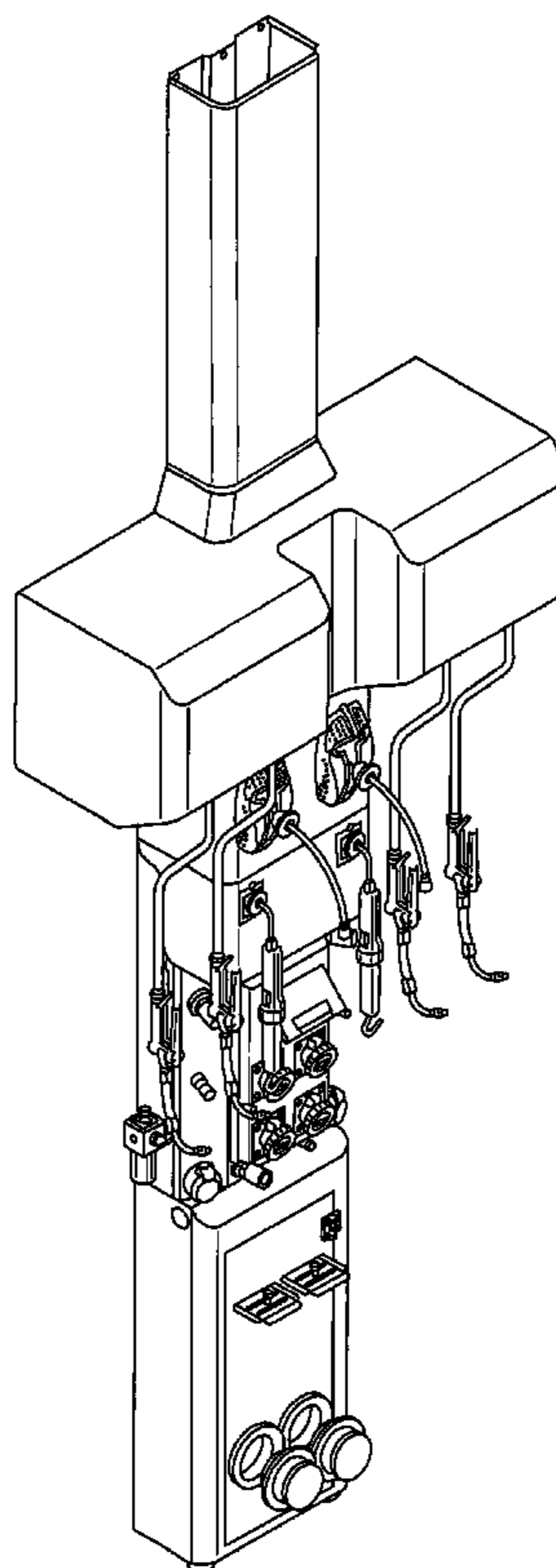
FIG. 4 is a first side view thereof;

FIG. 5 is a second side view thereof;

FIG. 6 is a topside view thereof; and,

FIG. 7 is an underside view thereof.

**1 Claim, 5 Drawing Sheets**



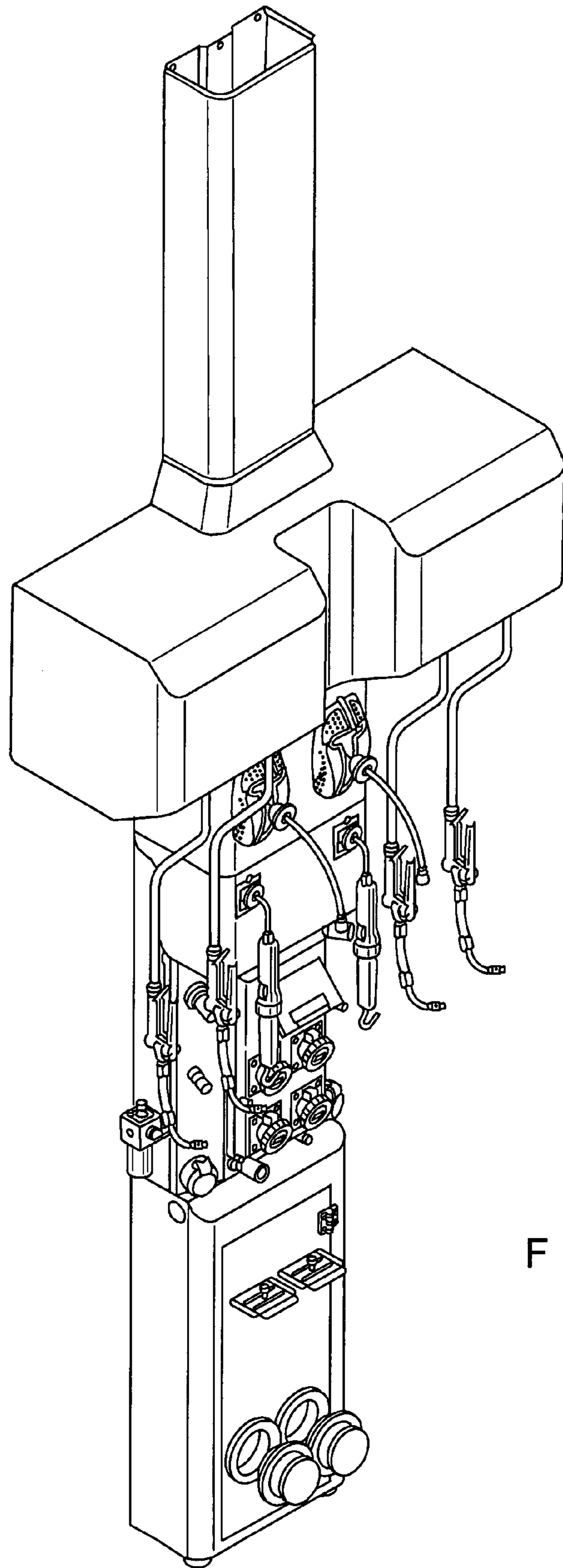


FIG. 1

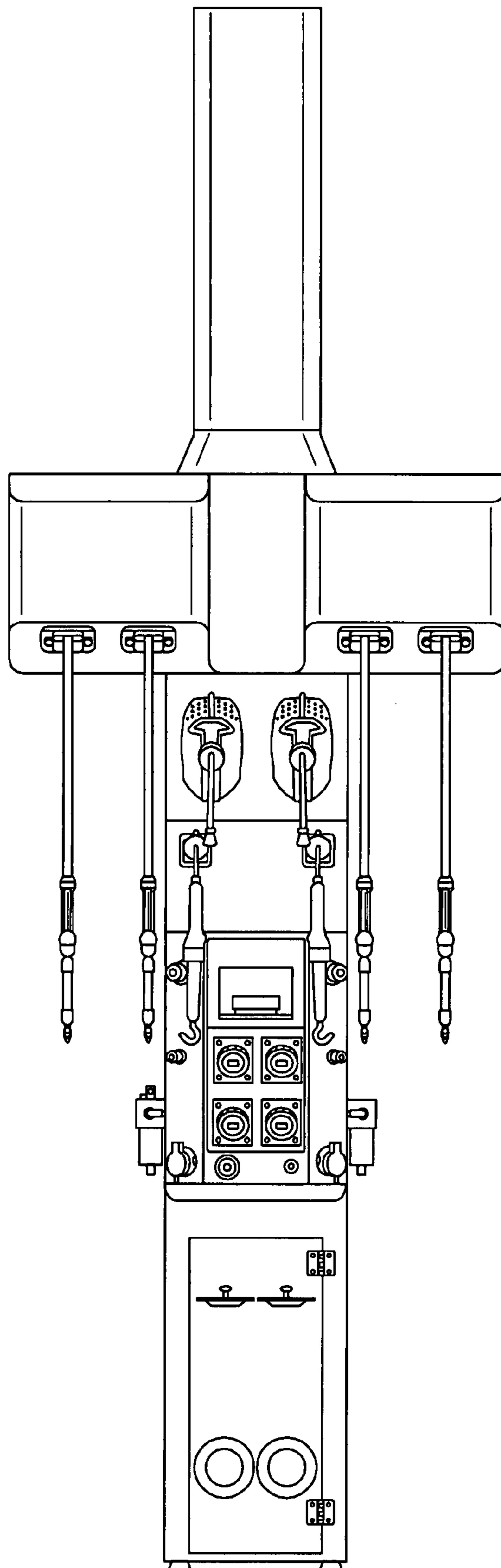


FIG. 2

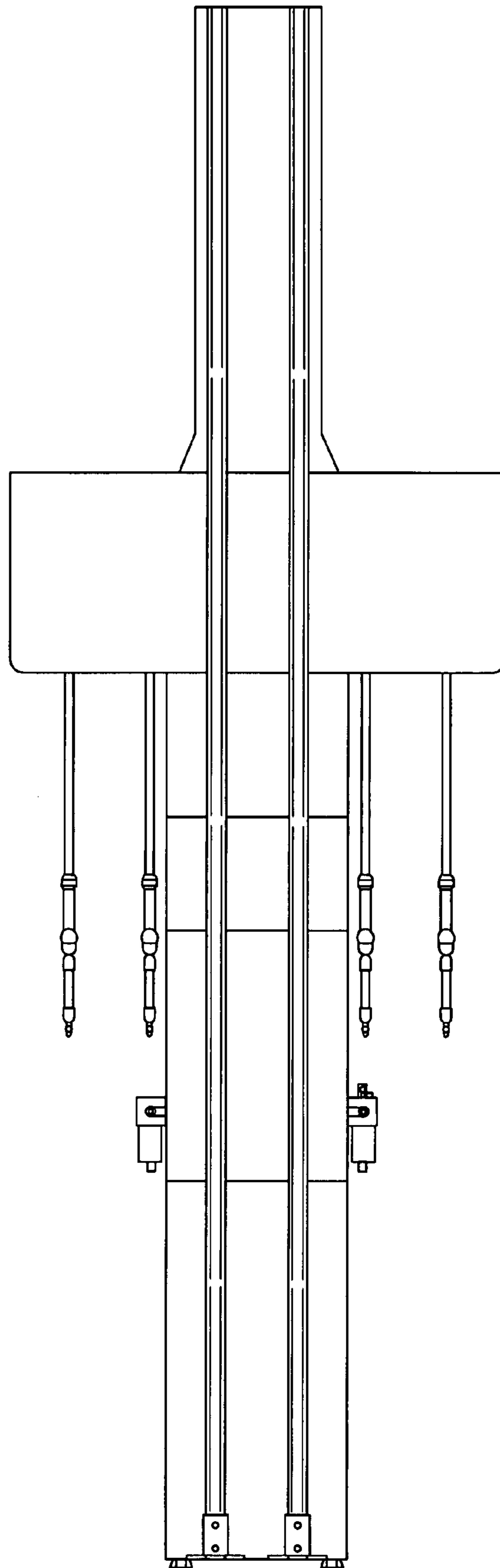


FIG. 3

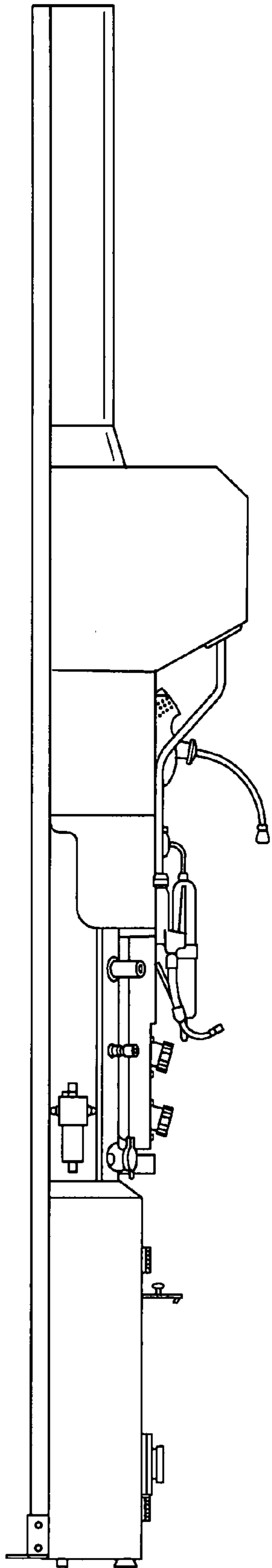


FIG. 4

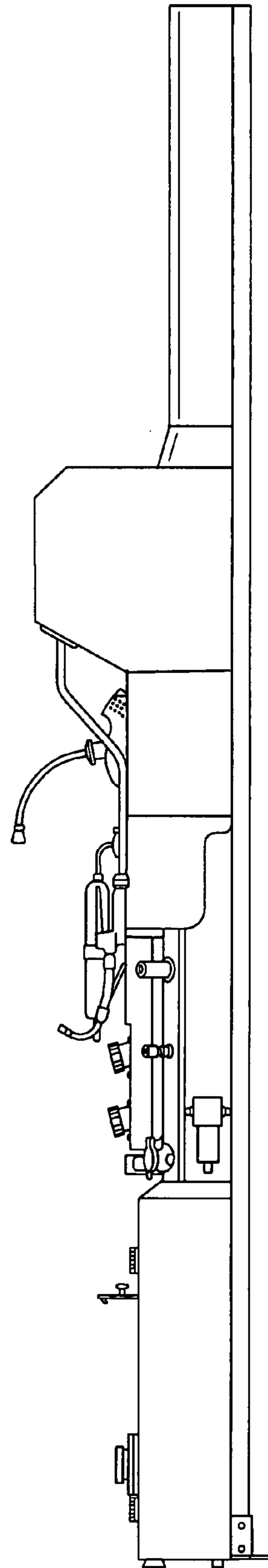


FIG. 5

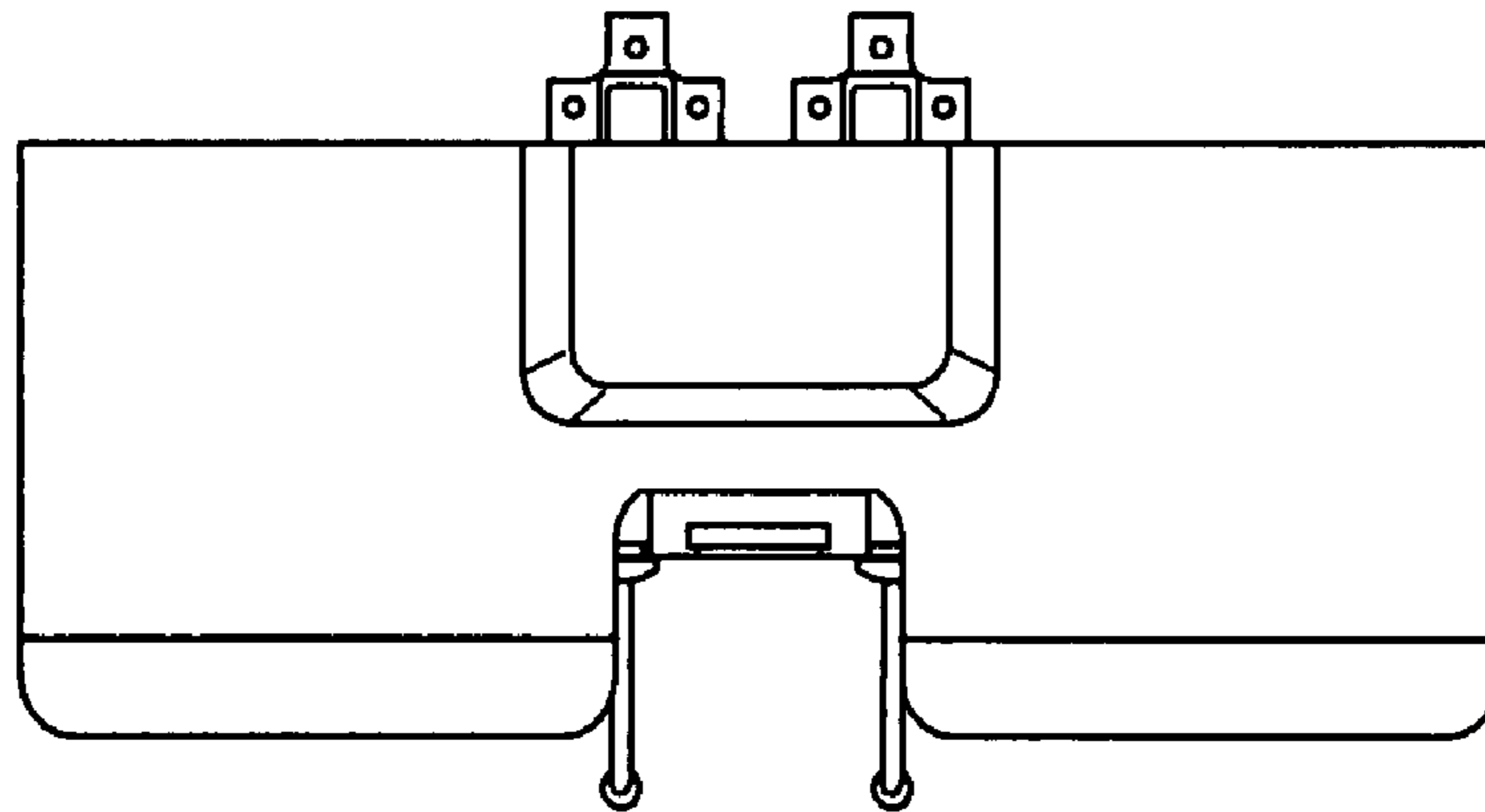


FIG. 6

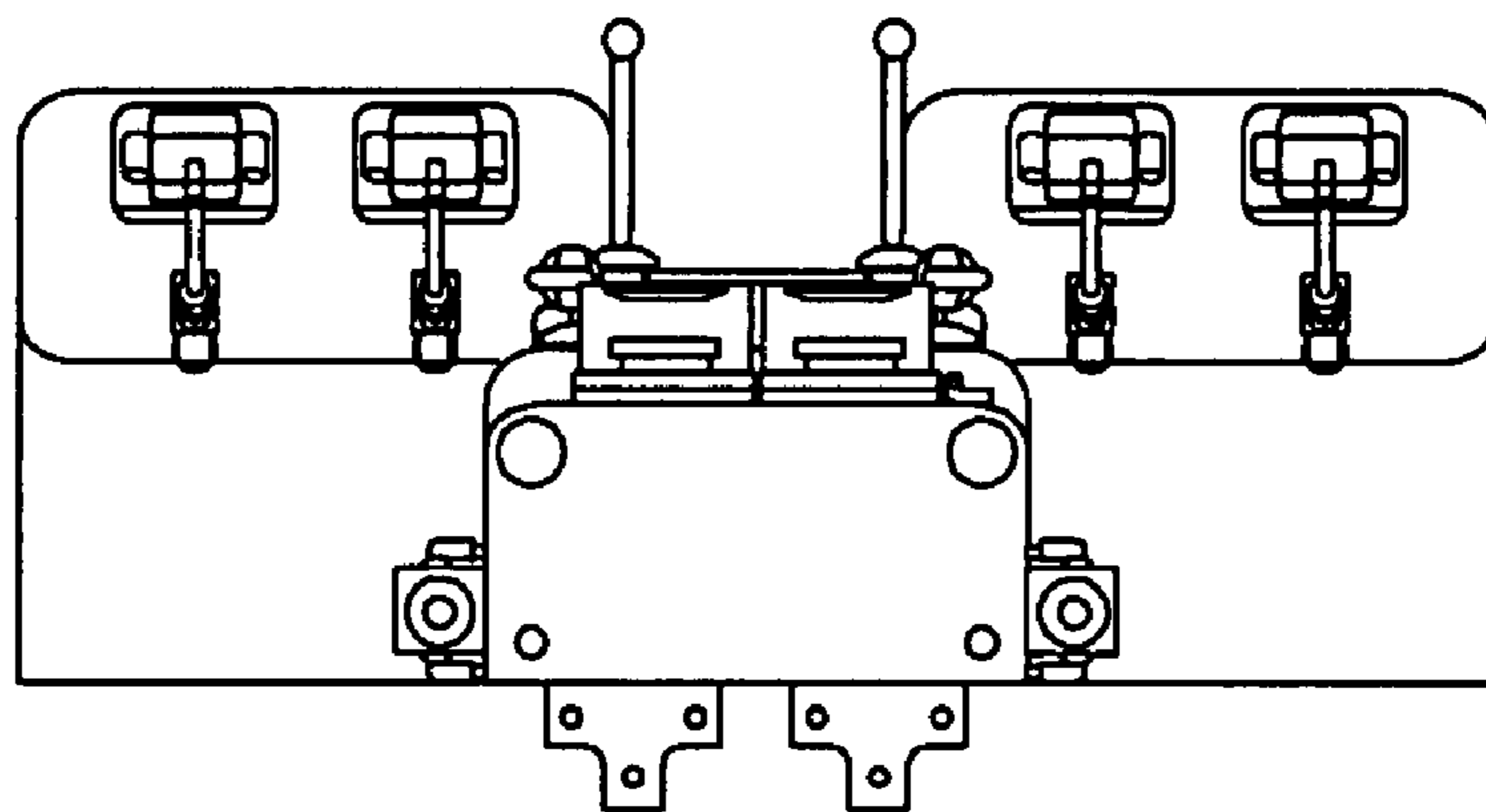


FIG. 7