

US00D568350S

(12) **United States Design Patent**
Tembreull et al.

(10) **Patent No.:** **US D568,350 S**

(45) **Date of Patent:** **** May 6, 2008**

(54) **CONE CLUTCH LINER**

(75) Inventors: **Vincent Tembreull**, Cadillac, MI (US);
Michael Good, Cadillac, MI (US)

(73) Assignee: **BorgWarner Inc.**, Auburn Hills, MI
(US)

(**) Term: **14 Years**

(21) Appl. No.: **29/245,059**

(22) Filed: **Dec. 16, 2005**

(51) **LOC (8) Cl.** **15-09**

(52) **U.S. Cl.** **D15/148**

(58) **Field of Classification Search** D15/138,
D15/148; 192/3.28, 3.29, 3.3, 17 M, 17 R,
192/70.12, 70.14, 113.36

See application file for complete search history.

(56) **References Cited**

U.S. PATENT DOCUMENTS

1,157,793	A *	10/1915	Metten	192/70.12
2,638,196	A *	5/1953	Wilson	192/113.36
2,749,264	A *	6/1956	Emrick	192/113.36
5,647,466	A *	7/1997	Umezawa	192/70.14
5,921,366	A *	7/1999	Walth et al.	192/113.36
6,035,991	A *	3/2000	Willwerth et al.	192/107 R
6,035,992	A *	3/2000	Menard et al.	192/107 M
6,076,644	A *	6/2000	Forrest et al.	192/66.2
6,213,273	B1 *	4/2001	Menard et al.	192/113.36
6,290,046	B2 *	9/2001	Menard et al.	192/113.36

7,108,119	B2 *	9/2006	Blanchard et al.	192/113.36
2004/0089512	A1 *	5/2004	Marchisseau et al.	..	192/107 M
2006/0151274	A1 *	7/2006	Kinoshita et al.	192/113.36

* cited by examiner

Primary Examiner—Antoine D. Davis

Assistant Examiner—Patricia Palasik

(74) *Attorney, Agent, or Firm*—Warn Partners, P.C.

(57) **CLAIM**

The ornamental design for a cone clutch liner, as shown and described.

DESCRIPTION

FIG. 1 is a sectional environmental view of a cone clutch liner of the present invention;

FIG. 2 is a perspective view of the cone clutch liner of FIG. 1;

FIG. 3 is a top plan view of the cone clutch liner of FIG. 1;

FIG. 4 is a bottom plan view of the cone clutch liner of FIG. 1;

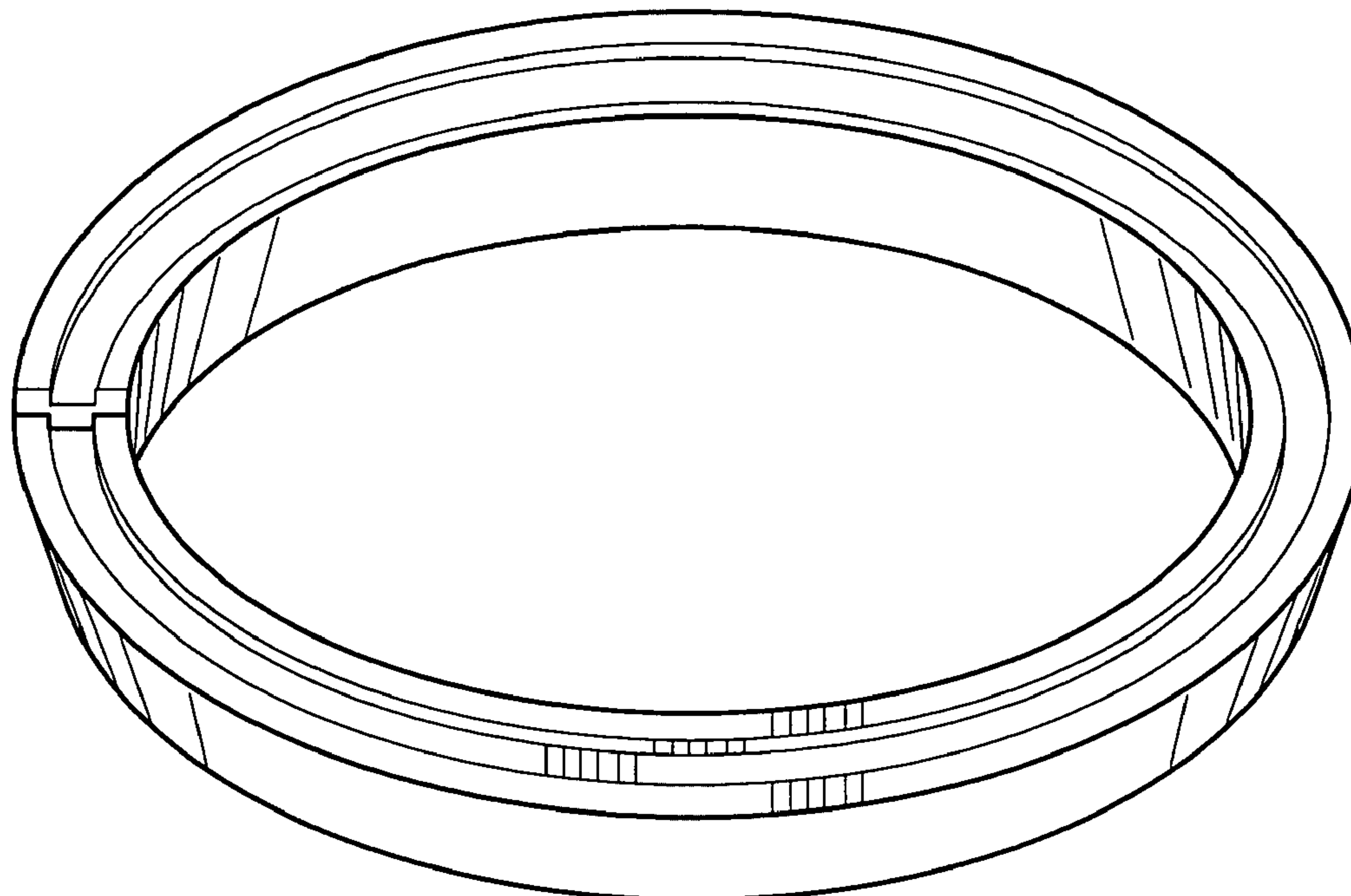
FIG. 5 is a front view of the cone clutch liner of FIG. 1;

FIG. 6 is a rear view of the cone clutch liner of FIG. 1;

FIG. 7 is a side view of the cone clutch liner of FIG. 1 as seen from the right hand side of FIG. 1; and,

FIG. 8 is a side view of the cone clutch liner of FIG. 1 as seen from the left hand side of FIG. 1.

1 Claim, 4 Drawing Sheets



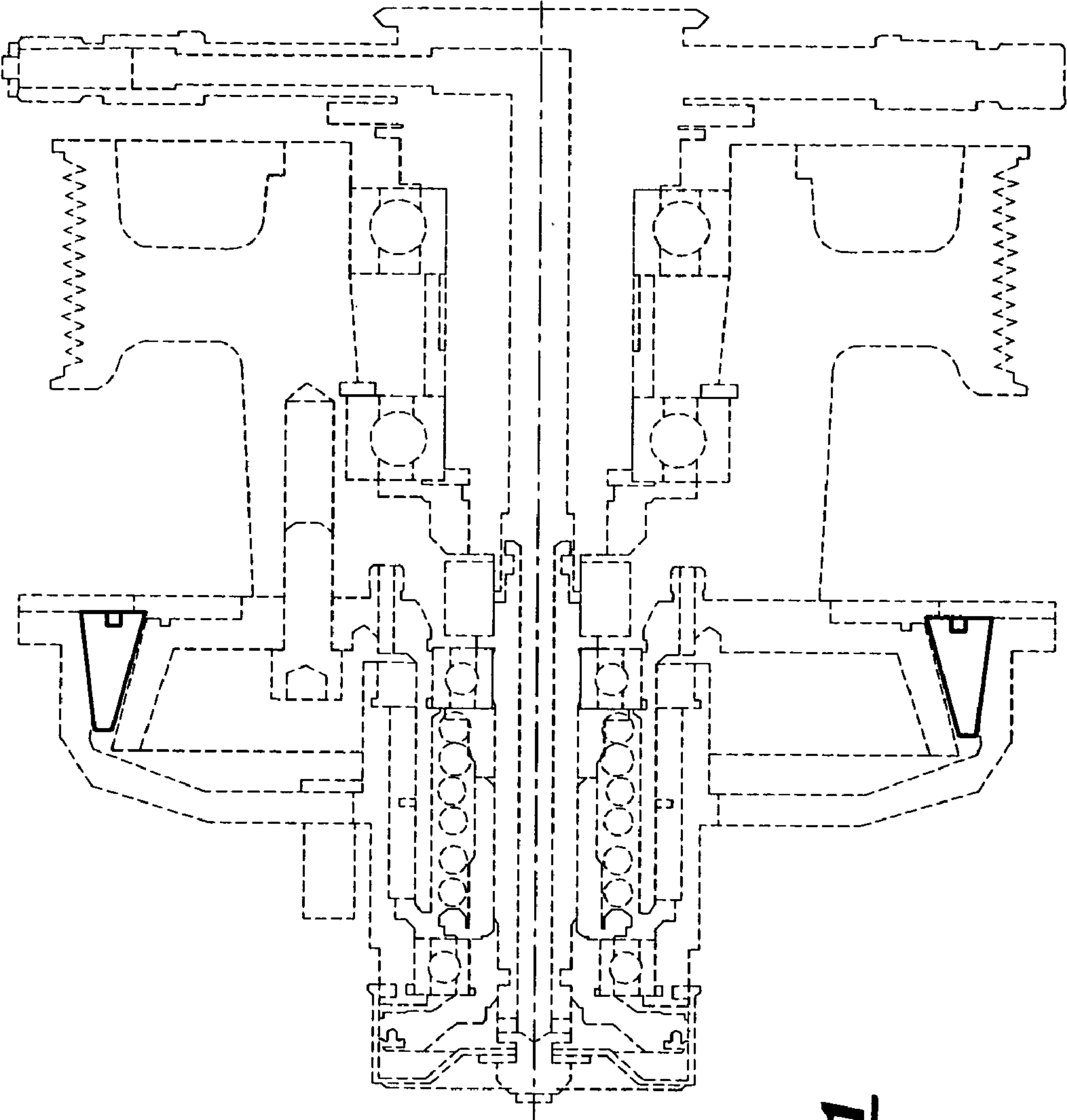


FIG-1

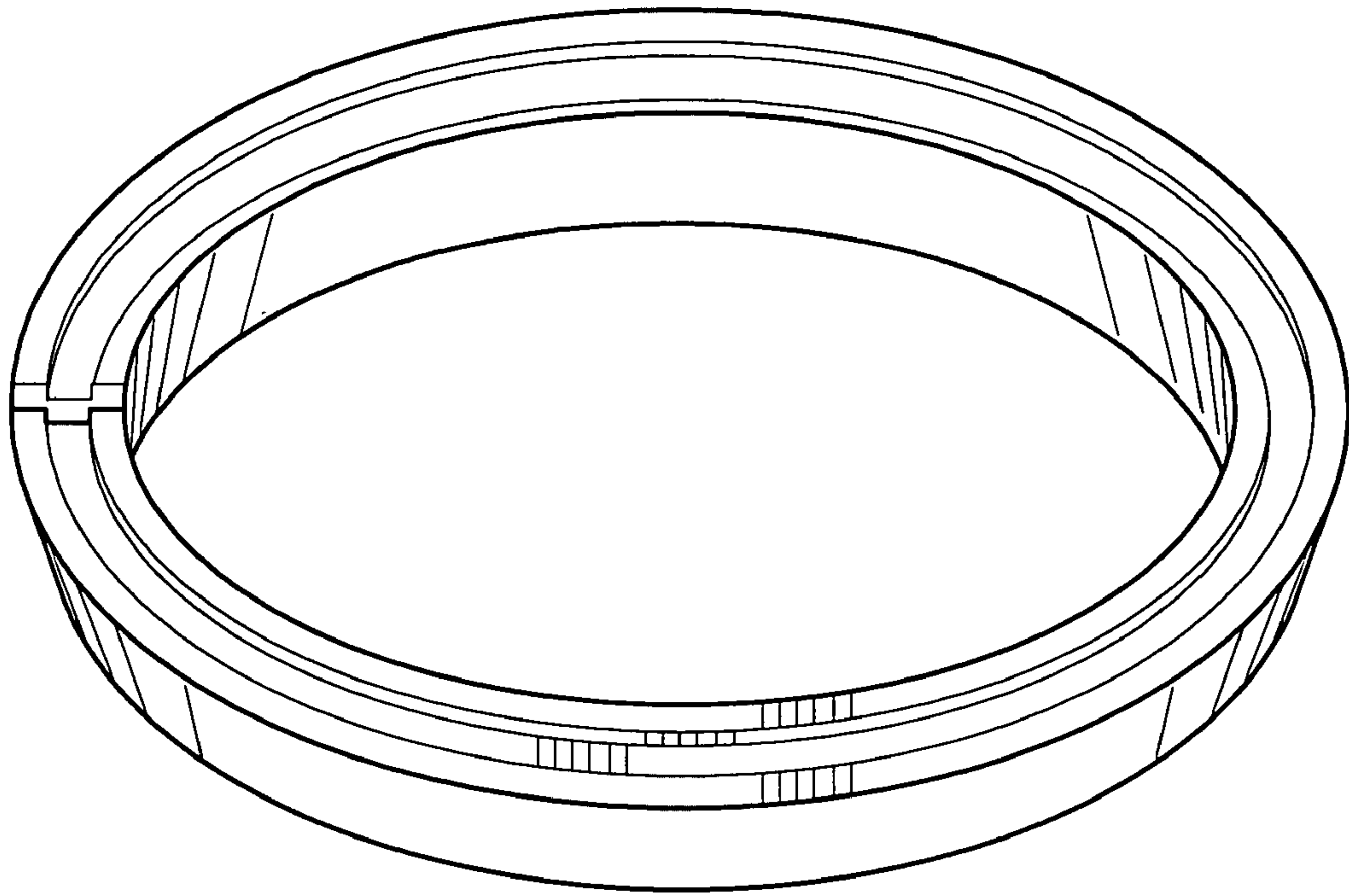


FIG - 2

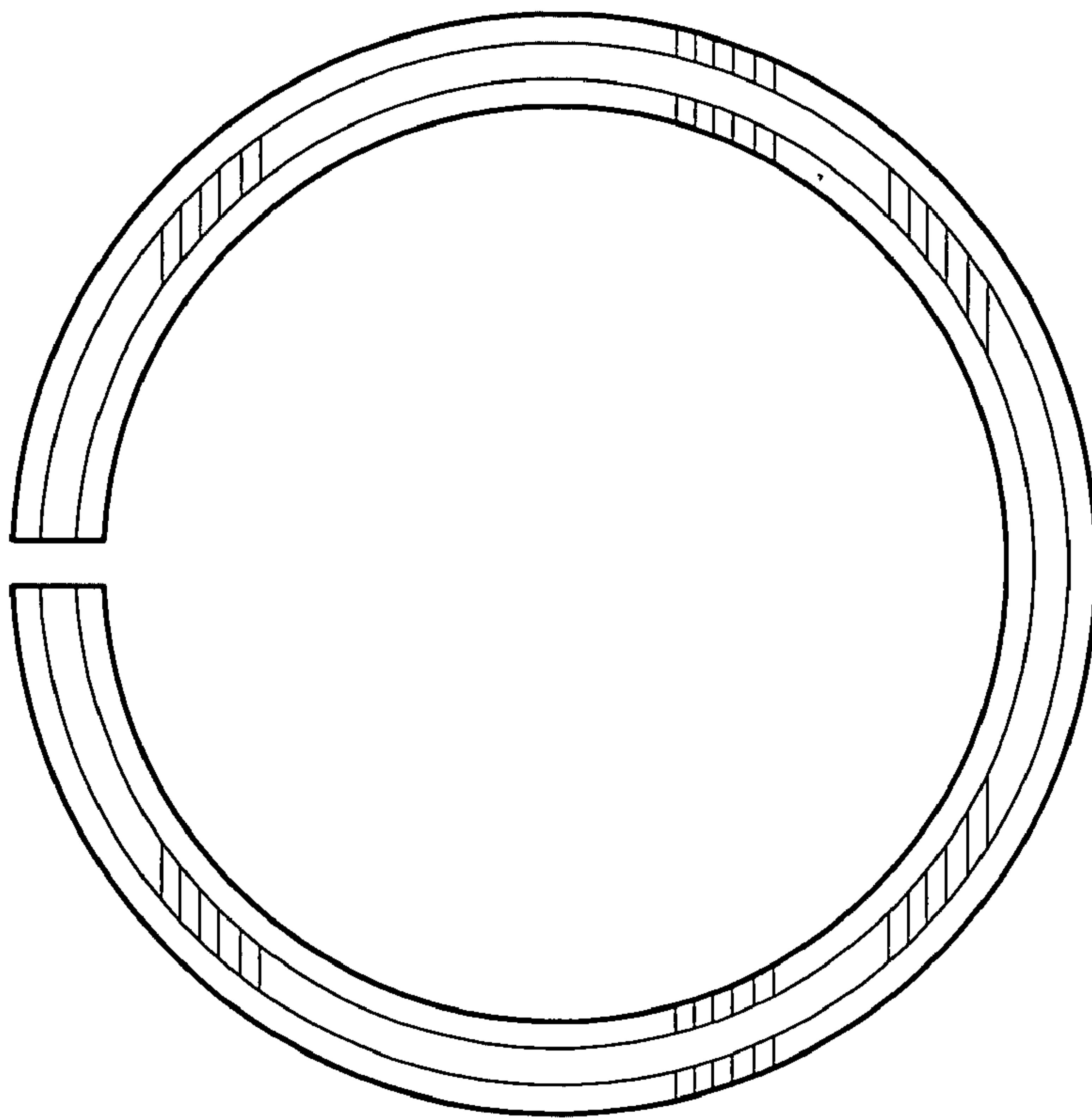


FIG - 3

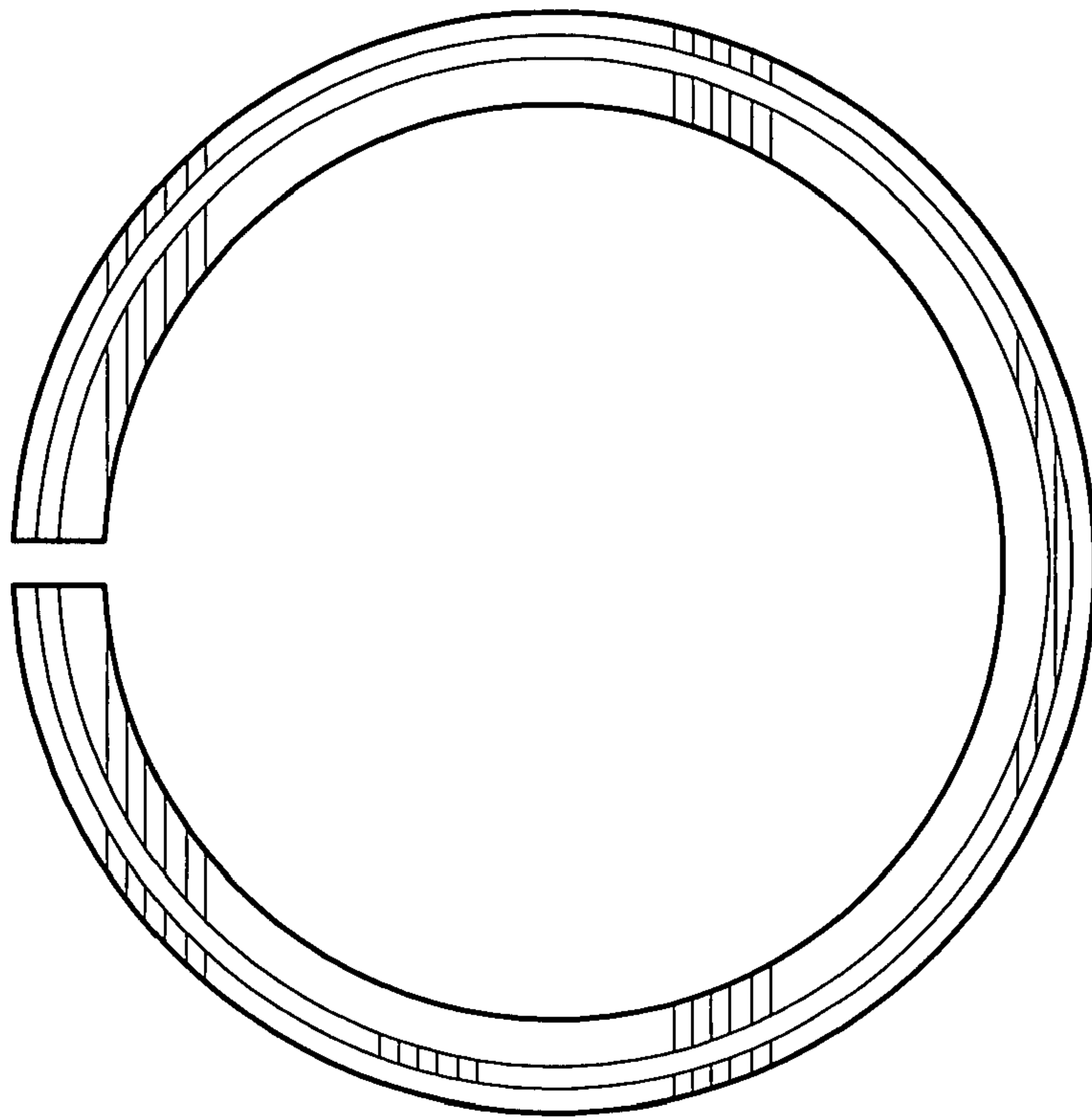


FIG - 4

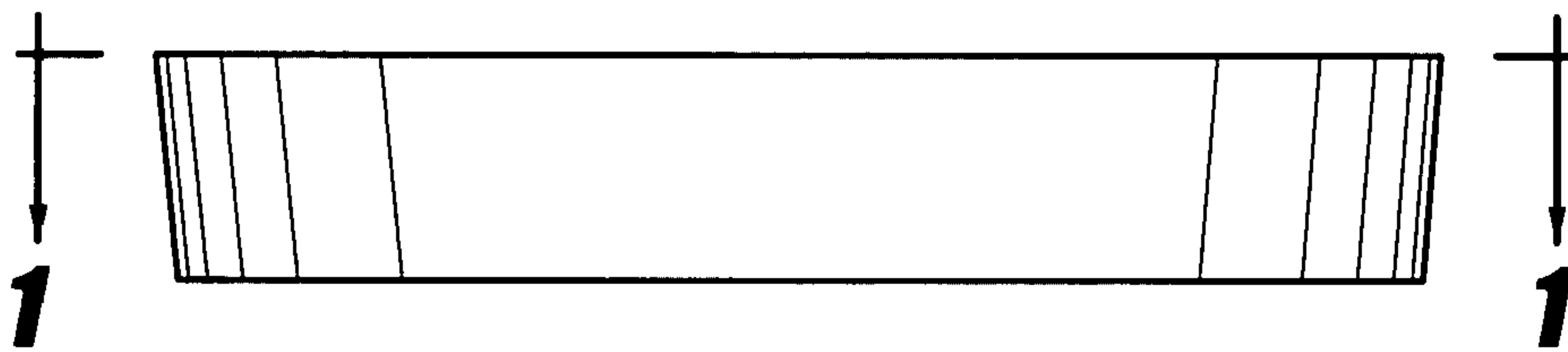


FIG - 5



FIG - 6

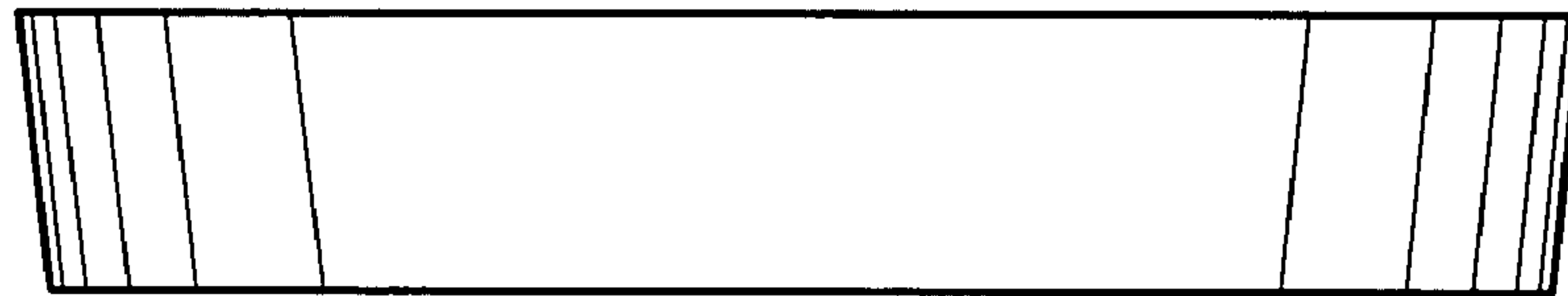


FIG - 7

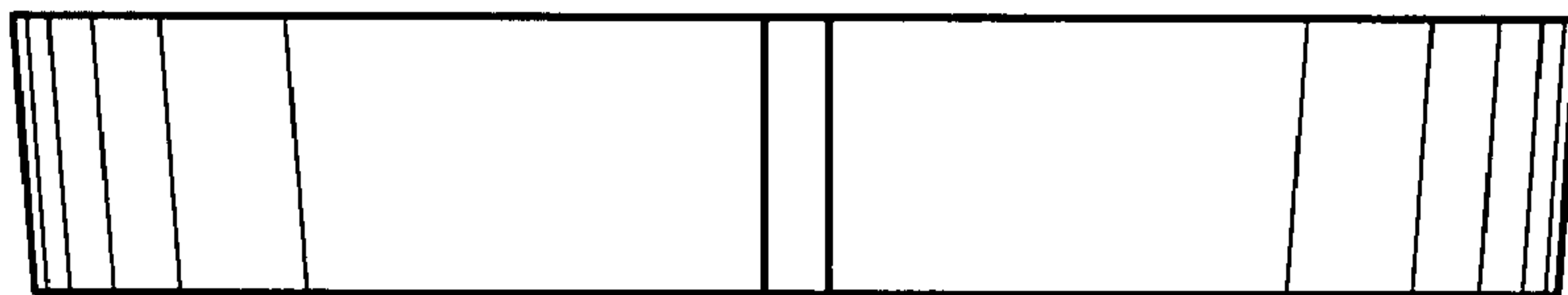


FIG - 8