

US00D568347S

(12) **United States Design Patent**
Manera et al.

(10) **Patent No.:** **US D568,347 S**

(45) **Date of Patent:** **** May 6, 2008**

(54) **DIE FOR FORMING A HELICAL LOCK ON A GLASS VIAL NECK**

(75) Inventors: **David A. Manera**, Petersburg, NJ (US);
Brian M. Myers, Clayton, NJ (US);
Brian M. Gatton, Jr., Elmer, NJ (US);
David T. Kershner, Williamstown, NJ (US)

(73) Assignee: **Comar, Inc.**, Buena, NJ (US)

(**) Term: **14 Years**

(21) Appl. No.: **29/273,357**

(22) Filed: **Feb. 27, 2007**

(51) **LOC (8) Cl.** **15-09**

(52) **U.S. Cl.** **D15/136**

(58) **Field of Classification Search** D15/135,
D15/136, 137, 143; D21/308, 362, 366,
D21/386, 443, 484, 487, 488; 425/32, 34.1,
425/461-467, 470; 264/171.12, 171.26,
264/171.16, 188, 209.3

See application file for complete search history.

(56) **References Cited**

U.S. PATENT DOCUMENTS

535,535	A *	3/1895	Gardner	273/294
2,030,132	A *	2/1936	Apple et al.	D15/136
D201,640	S *	7/1965	Wallace	D15/136
3,674,905	A *	7/1972	Collins, Sr.	434/174
3,834,182	A *	9/1974	Trask et al.	D21/488
4,566,246	A *	1/1986	Sanger	403/342
4,772,195	A *	9/1988	Touchet	425/462
5,651,935	A *	7/1997	Matsukura et al.	425/462

6,033,609	A *	3/2000	Wright et al.	425/461
6,257,863	B1 *	7/2001	Otte	425/465
6,343,919	B1 *	2/2002	Rodriguez et al.	425/462
6,533,570	B2 *	3/2003	Meyer	425/462
6,620,448	B2 *	9/2003	Keller et al.	425/462
D521,033	S *	5/2006	Sakamoto et al.	D15/135
D550,783	S *	9/2007	Glickman	D21/488
2003/0020204	A1 *	1/2003	Davidson et al.	264/177.16
2004/0119195	A1 *	6/2004	Dohmann et al.	425/464

* cited by examiner

Primary Examiner—Sandra Snapp

Assistant Examiner—Patricia Palasik

(74) *Attorney, Agent, or Firm*—James G. O'Boyle

(57) **CLAIM**

The ornamental design for a die for forming a helical lock on a glass vial neck, as shown and described.

DESCRIPTION

FIG. 1 is a top side perspective view of a die for forming a glass vial helical lock, showing our new design;

FIG. 2 is a top plan view of the die shown in FIG. 1;

FIG. 3 is a bottom plan view of the die shown in FIG. 1;

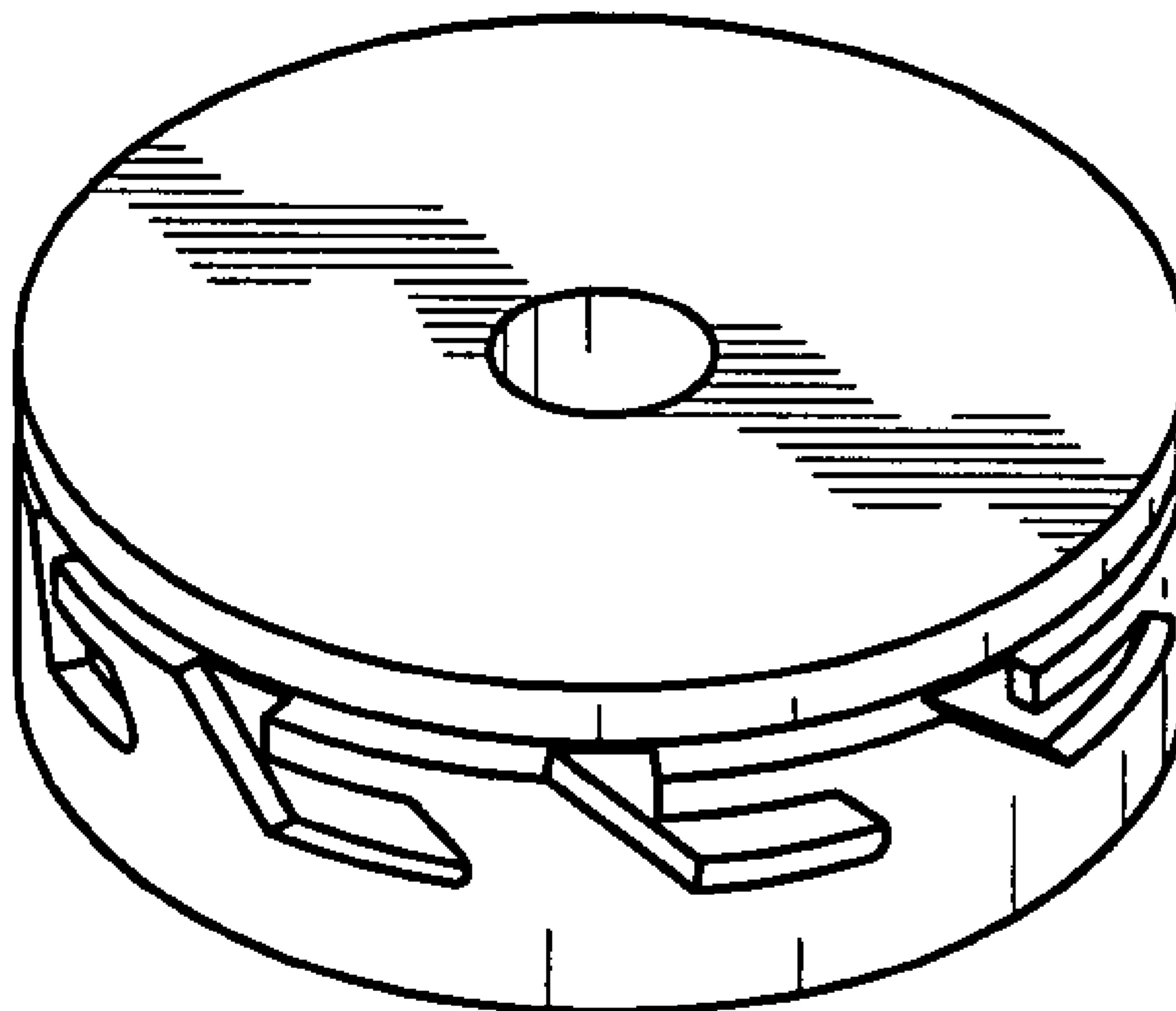
FIG. 4 is a front elevational view of the die shown in FIG. 1;

FIG. 5 is a rear elevational view of the die shown in FIG. 4;

FIG. 6 is a right side elevational view of the die shown in FIG. 1; and,

FIG. 7 is a left side elevational view of the die shown in FIG. 1.

1 Claim, 1 Drawing Sheet



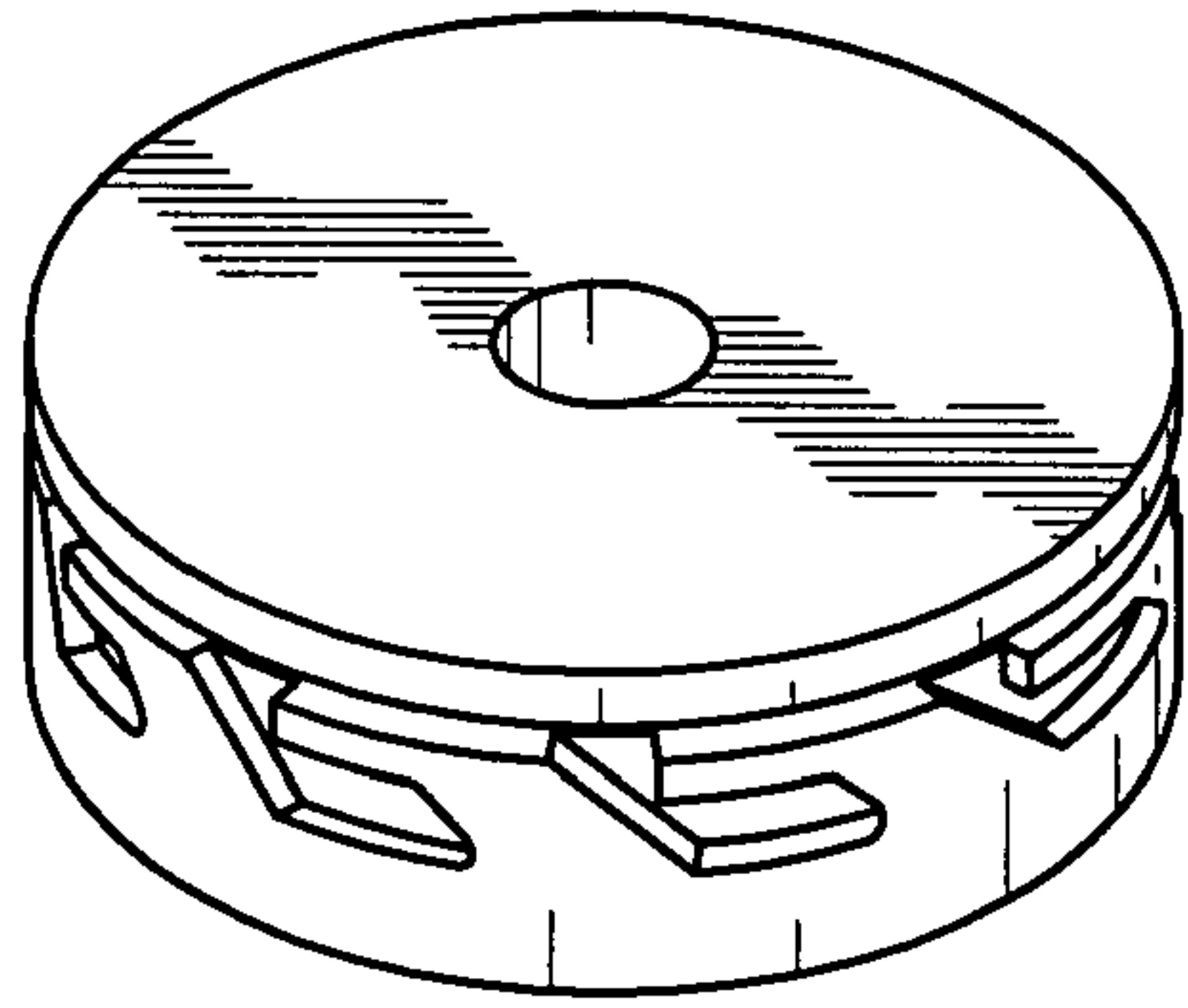


FIG. 1

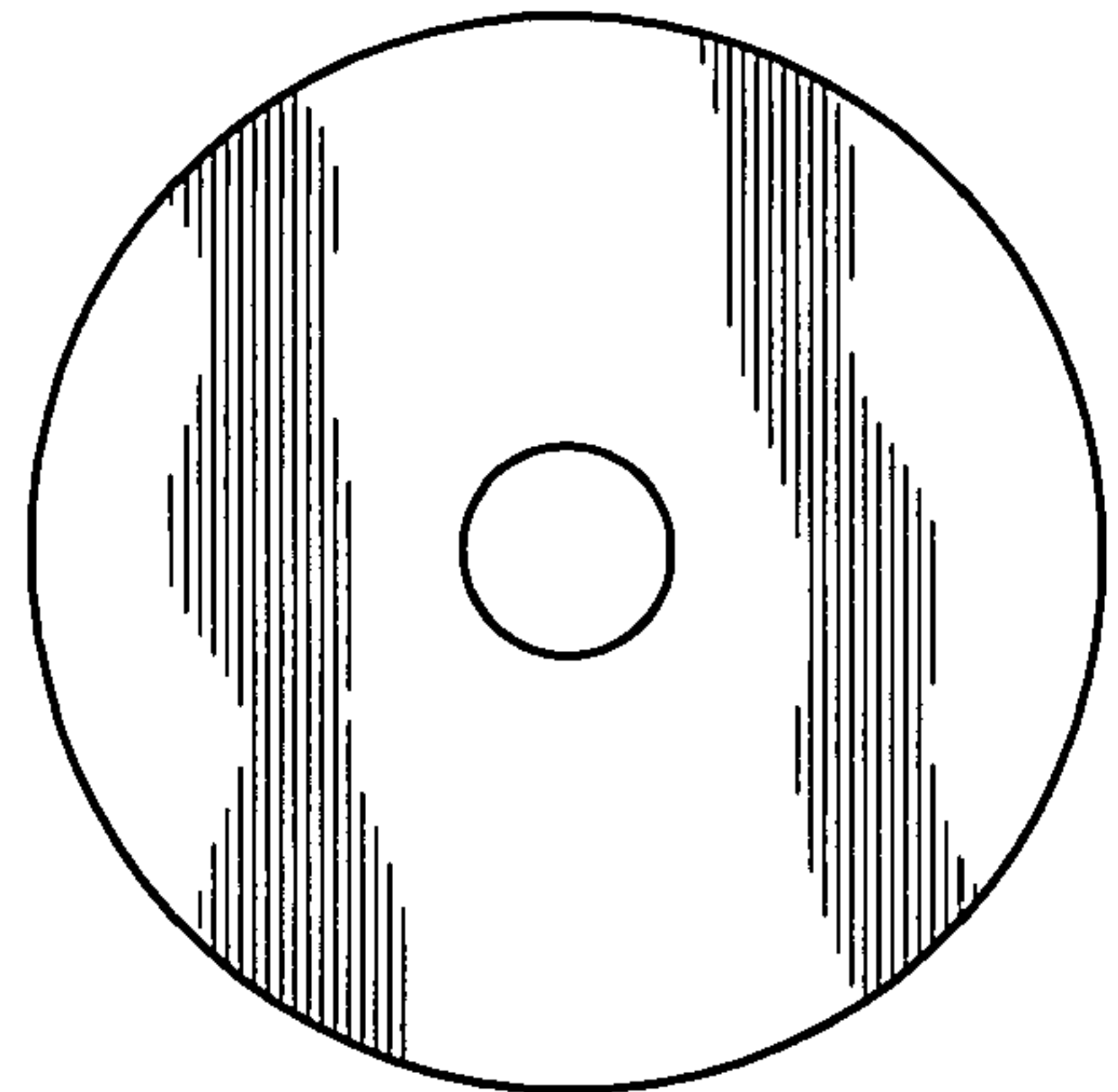


FIG. 2

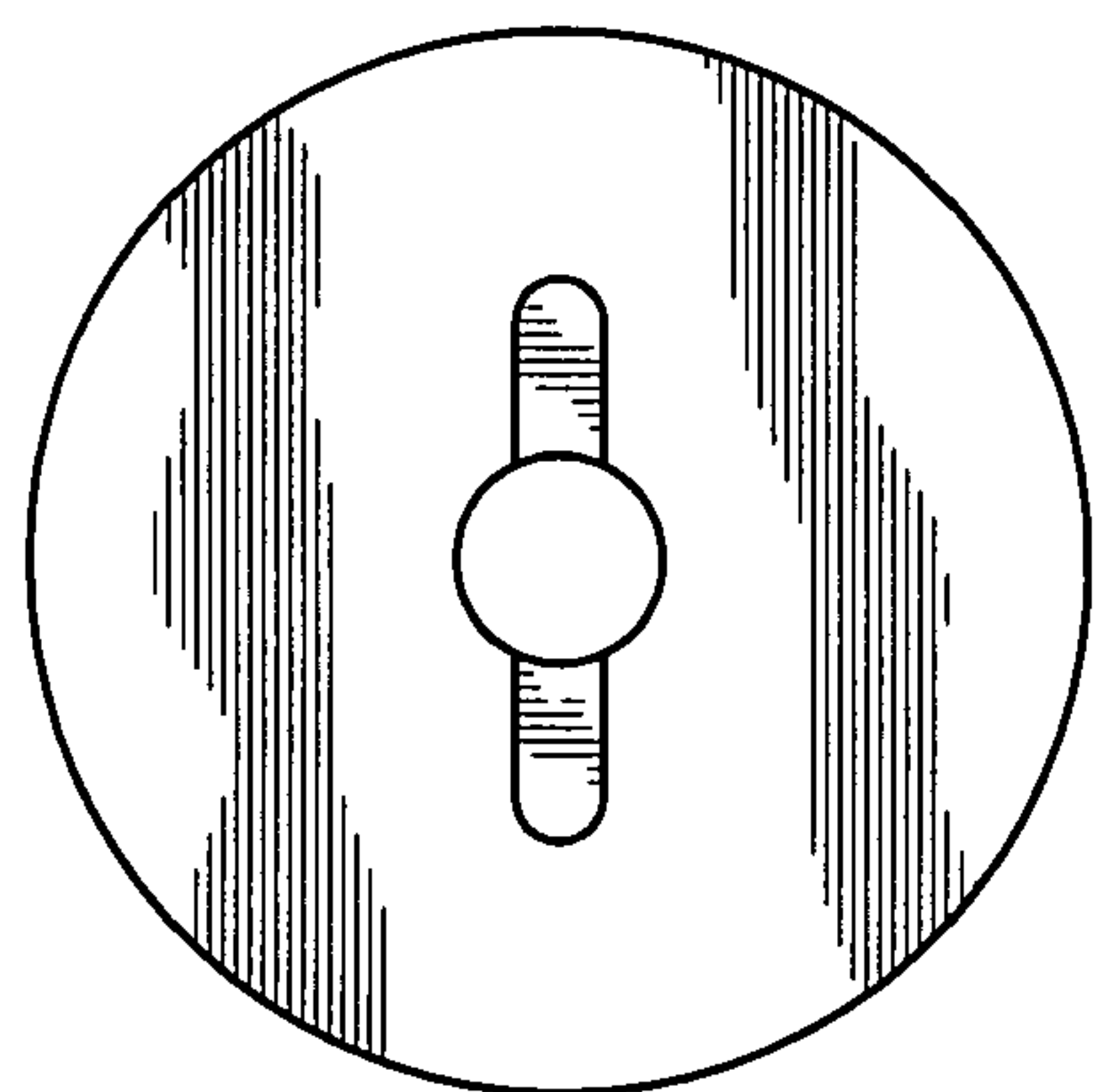


FIG. 3

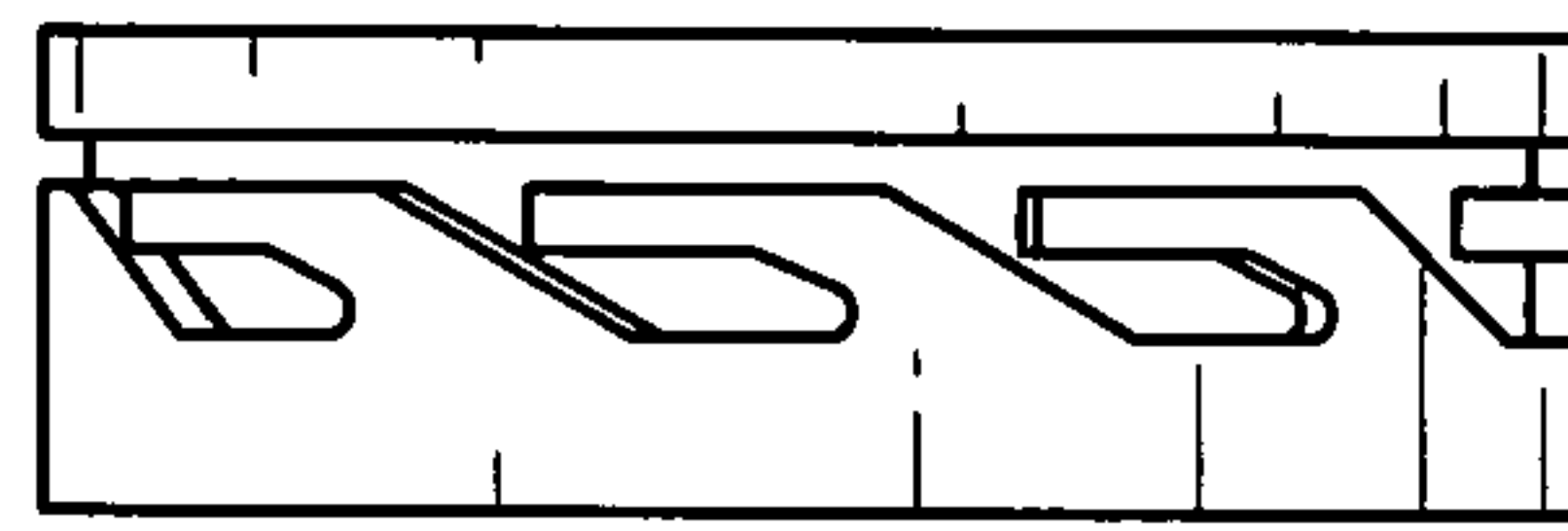


FIG. 4

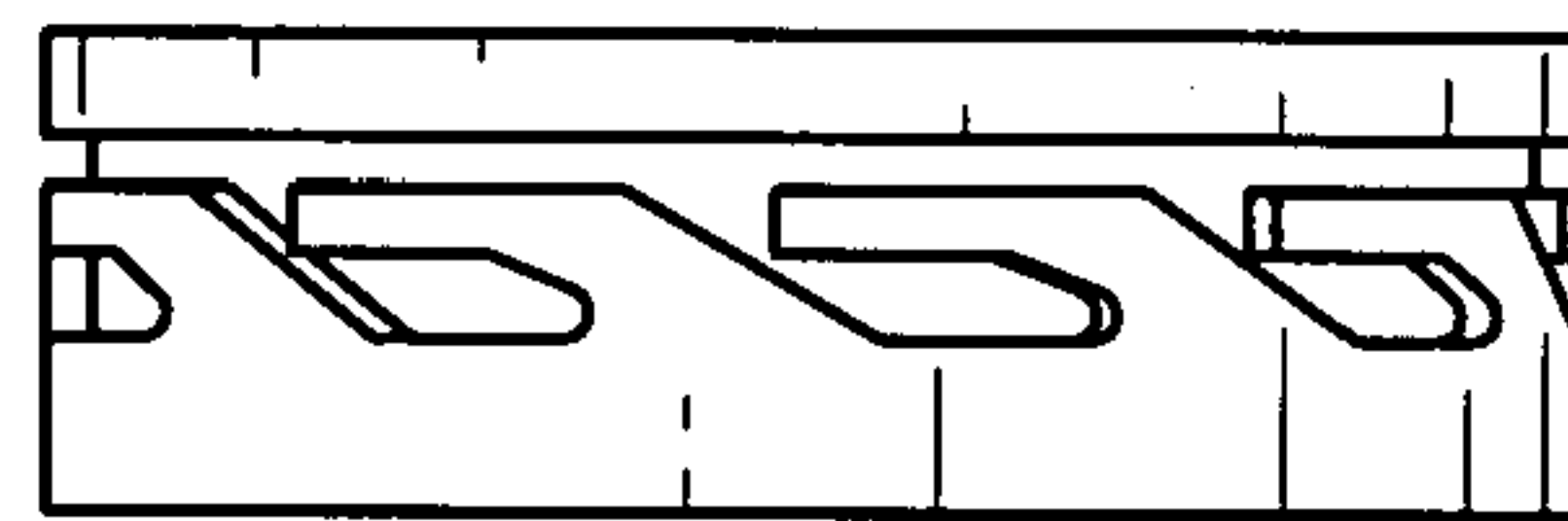


FIG. 5

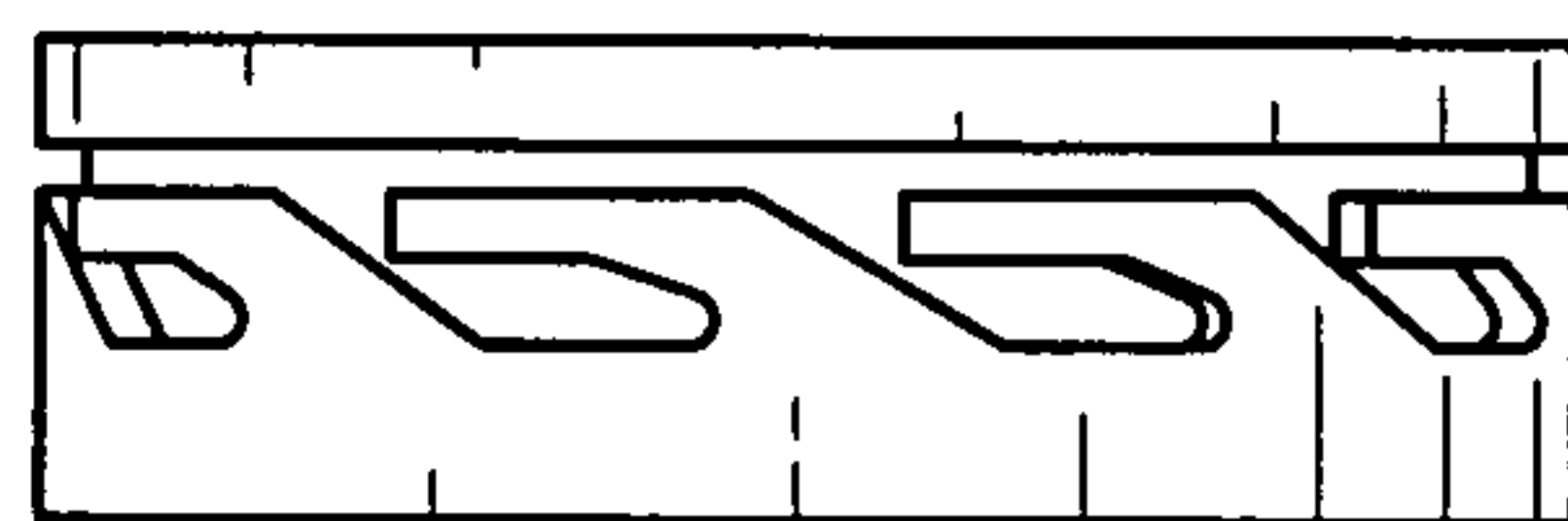


FIG. 6

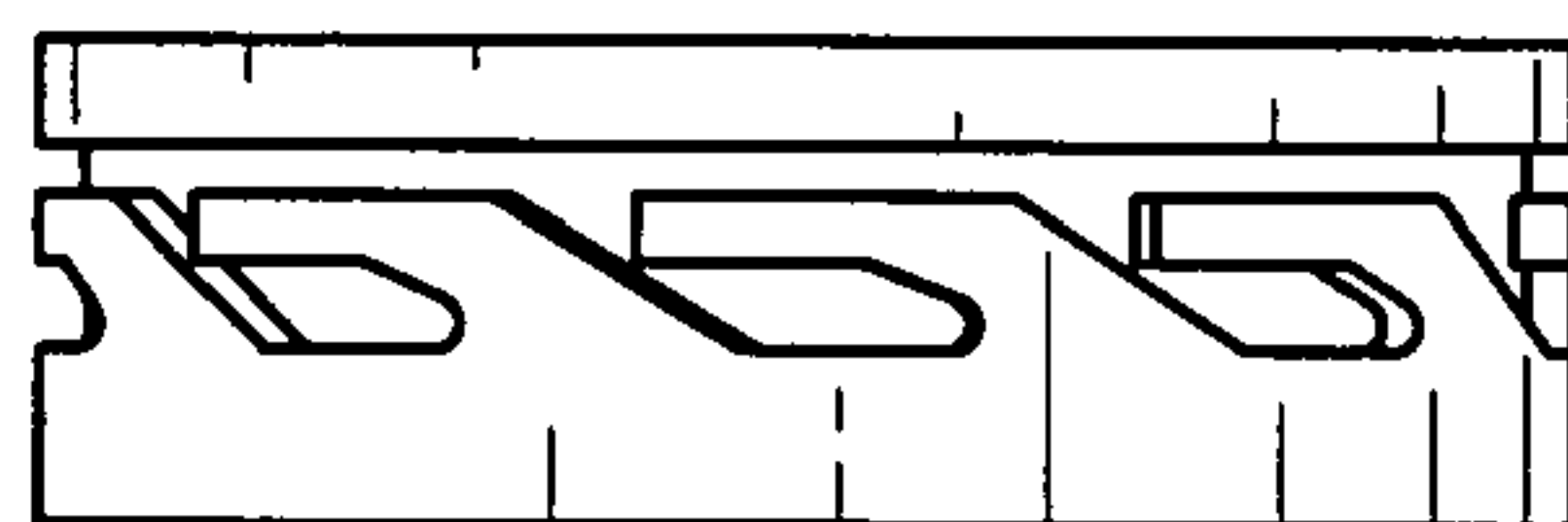


FIG. 7