



US00D568346S

(12) **United States Design Patent**
Hofman

(10) **Patent No.:** **US D568,346 S**

(45) **Date of Patent:** **** May 6, 2008**

(54) **GRAIN MILL**

(76) **Inventor:** **John B. Hofman**, 234 S. 17th,
Pocatello, ID (US) 83201

(**) **Term:** **14 Years**

(21) **Appl. No.:** **29/281,949**

(22) **Filed:** **Jul. 6, 2007**

(51) **LOC (8) Cl.** **15-09**

(52) **U.S. Cl.** **D15/123**

(58) **Field of Classification Search** D7/372,
D7/693; D15/123, 124, 126, 131; 241/244,
241/245, 248, 259.1, 259.2, 259.3, 261.2,
241/261.3, 286

See application file for complete search history.

(56) **References Cited**

U.S. PATENT DOCUMENTS

233,010	A *	10/1880	Parker et al.	241/259.1
1,344,453	A *	6/1920	Rousseau et al.	241/259.1
1,707,666	A *	4/1929	Holland-Letz	241/261.2
D98,313	S *	1/1936	Griswold	D7/372
D162,997	S *	4/1951	Talge	D7/372
D173,029	S *	9/1954	Green et al.	D7/372
D233,123	S *	10/1974	Rigamonti	D7/372
D244,756	S *	6/1977	Granzow	D15/124
4,060,206	A *	11/1977	Granzow	241/259.1
D260,351	S *	8/1981	Shun	D7/372
5,564,636	A *	10/1996	Mock et al.	241/261.2
D484,738	S *	1/2004	Wong	D7/372
6,851,635	B2 *	2/2005	McCowin	241/259.1
D531,850	S *	11/2006	Wong	D7/372

7,207,510	B2 *	4/2007	Wong	241/82.1
2006/0243837	A1 *	11/2006	Wong	241/82.1
2007/0277682	A1 *	12/2007	Wong	99/495

* cited by examiner

Primary Examiner—Sandra Snapp
Assistant Examiner—Patricia Palasik
(74) *Attorney, Agent, or Firm*—Knobbe, Martens, Olson & Bear, LLP

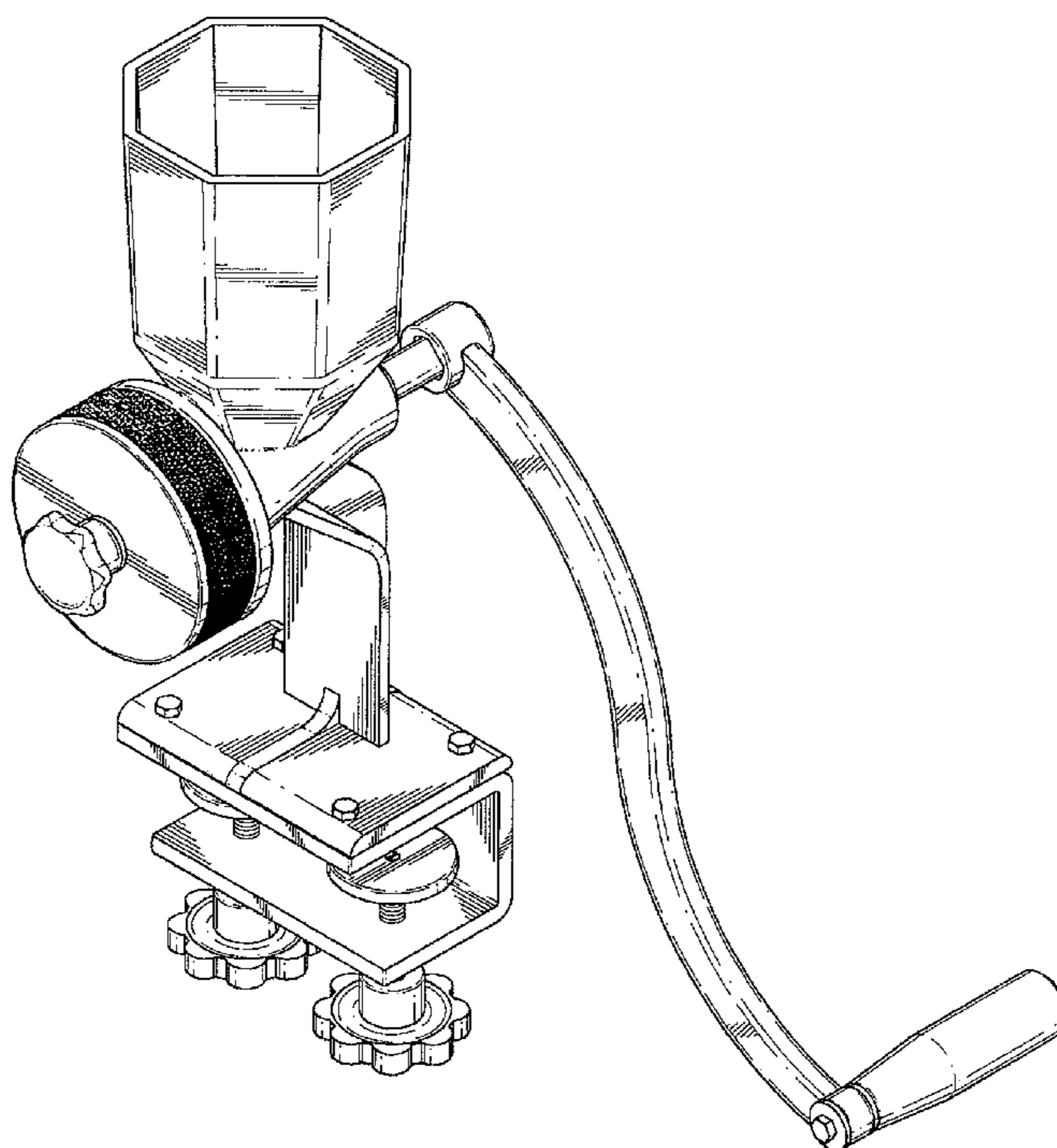
(57) **CLAIM**

The ornamental design for a grain mill, as shown and described.

DESCRIPTION

FIG. 1 is a perspective view of a grain mill configuration in accordance with one embodiment of the present invention; FIG. 2 is a left side view of the grain mill configuration of FIG. 1; FIG. 3 is a right side view of the grain mill configuration of FIG. 1; FIG. 4 is a front view of the grain mill configuration of FIG. 1; FIG. 5 is a rear view of the grain mill configuration of FIG. 1; FIG. 6 is a top view of the grain mill configuration of FIG. 1; and, FIG. 7 is a bottom view of the grain mill configuration of FIG. 1.

1 Claim, 7 Drawing Sheets



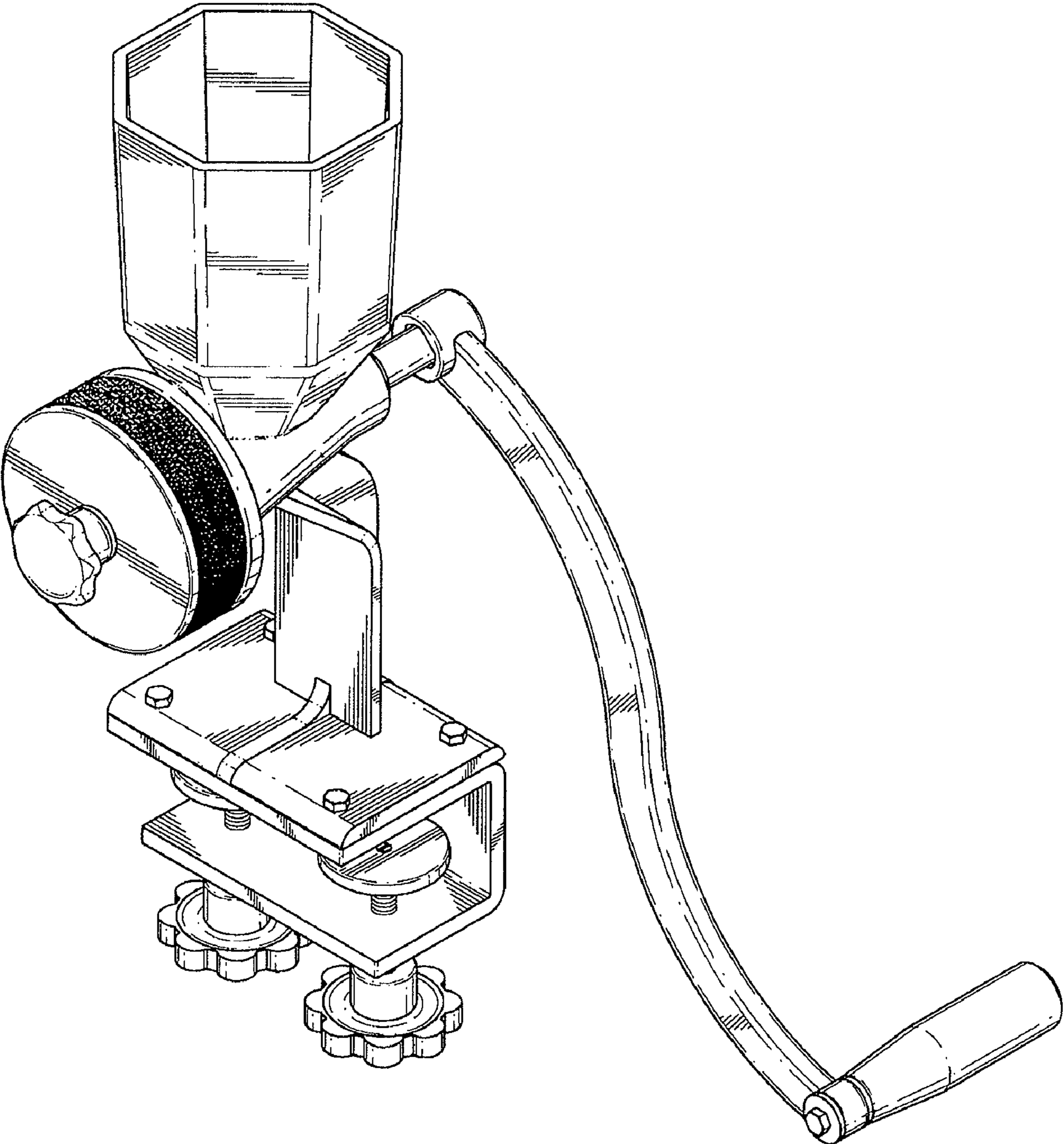


FIG. 1

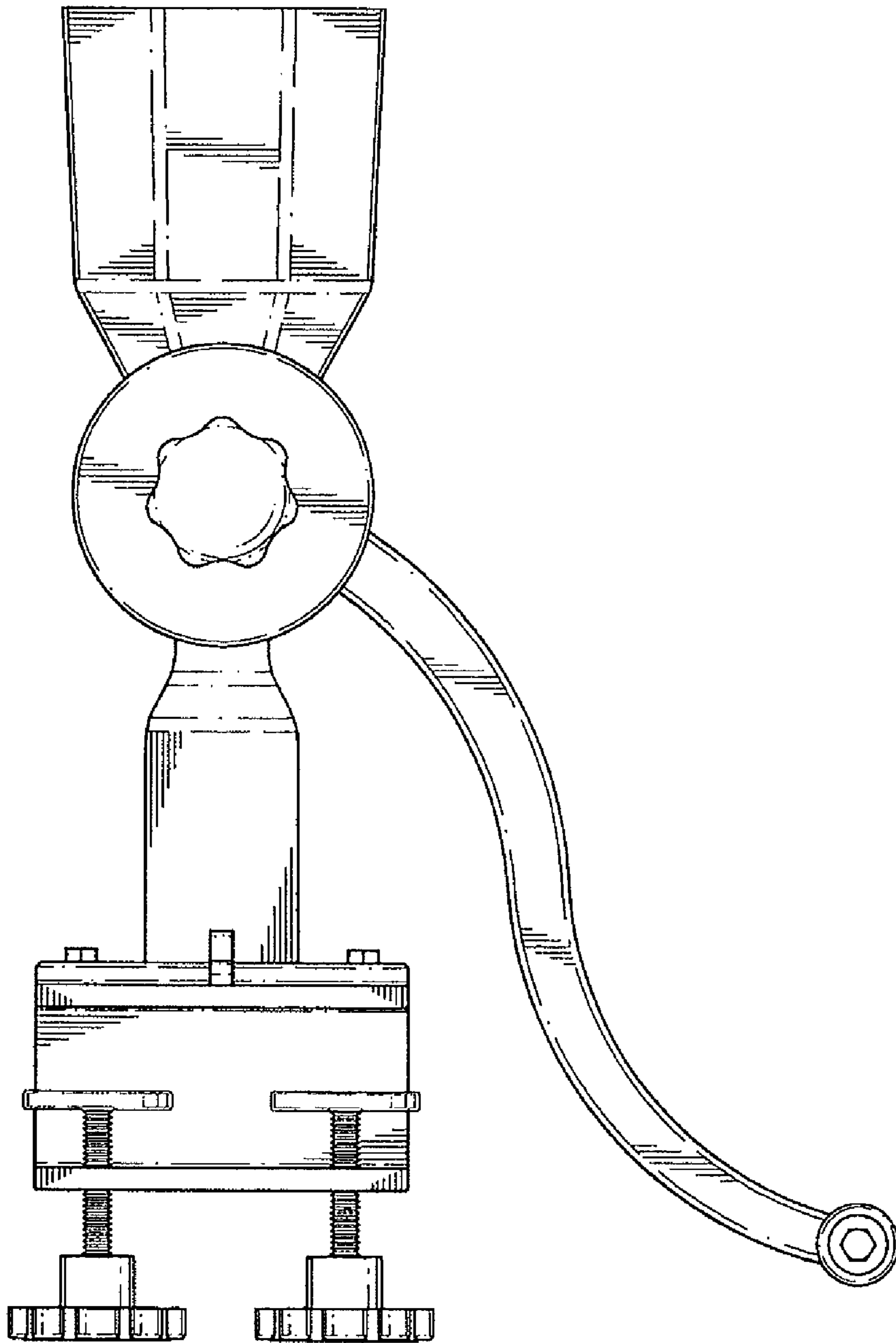


FIG. 2

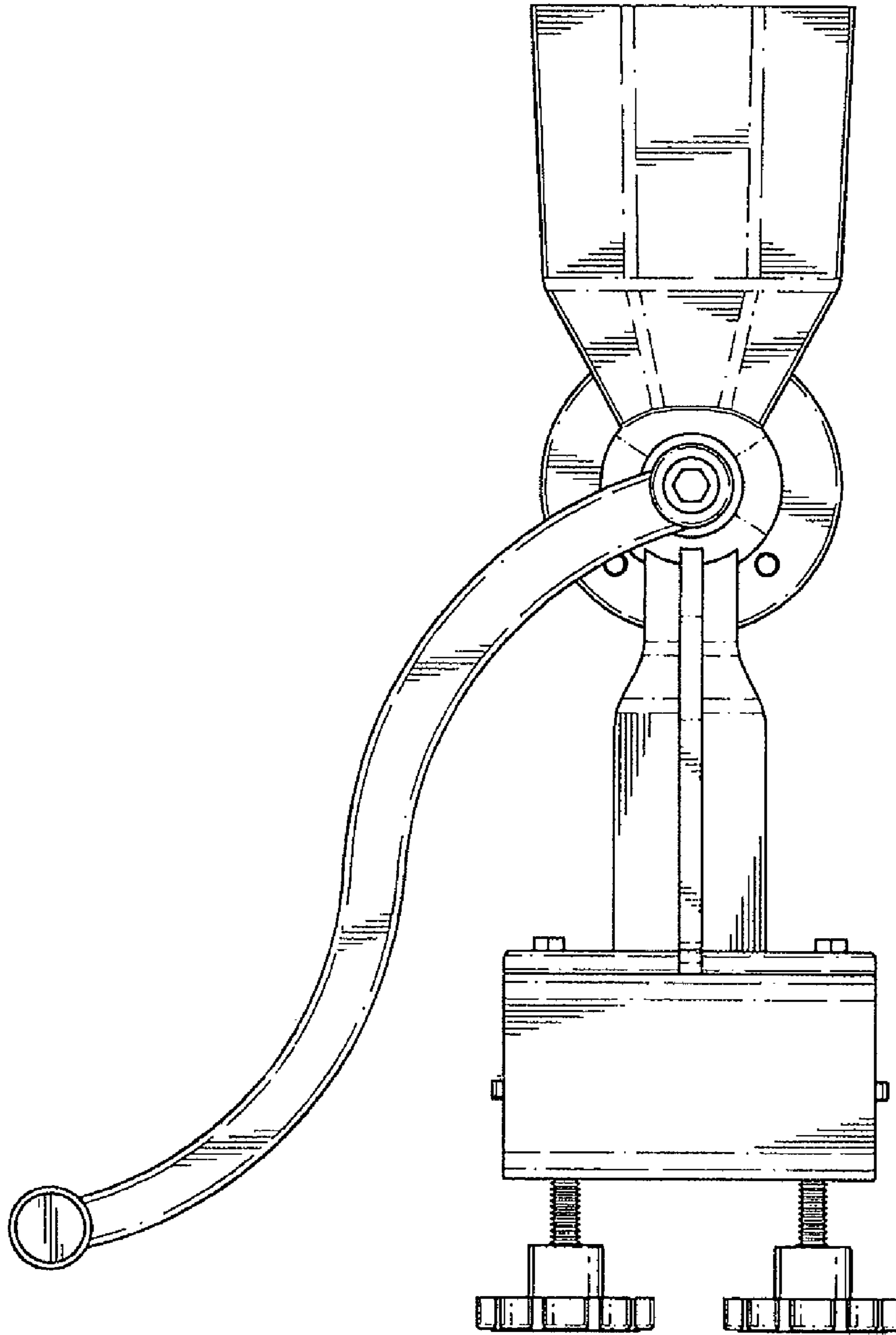


FIG. 3

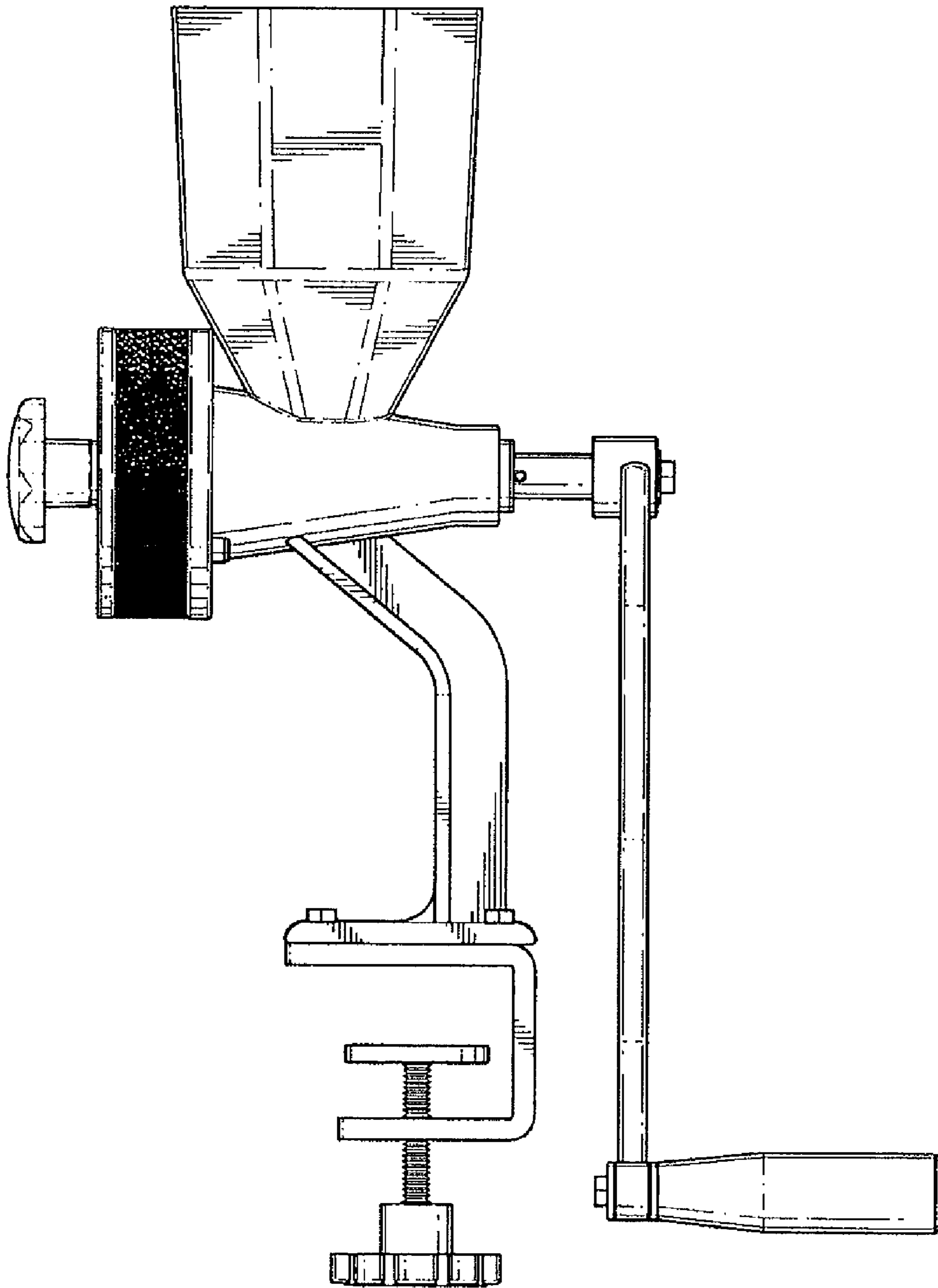


FIG. 4

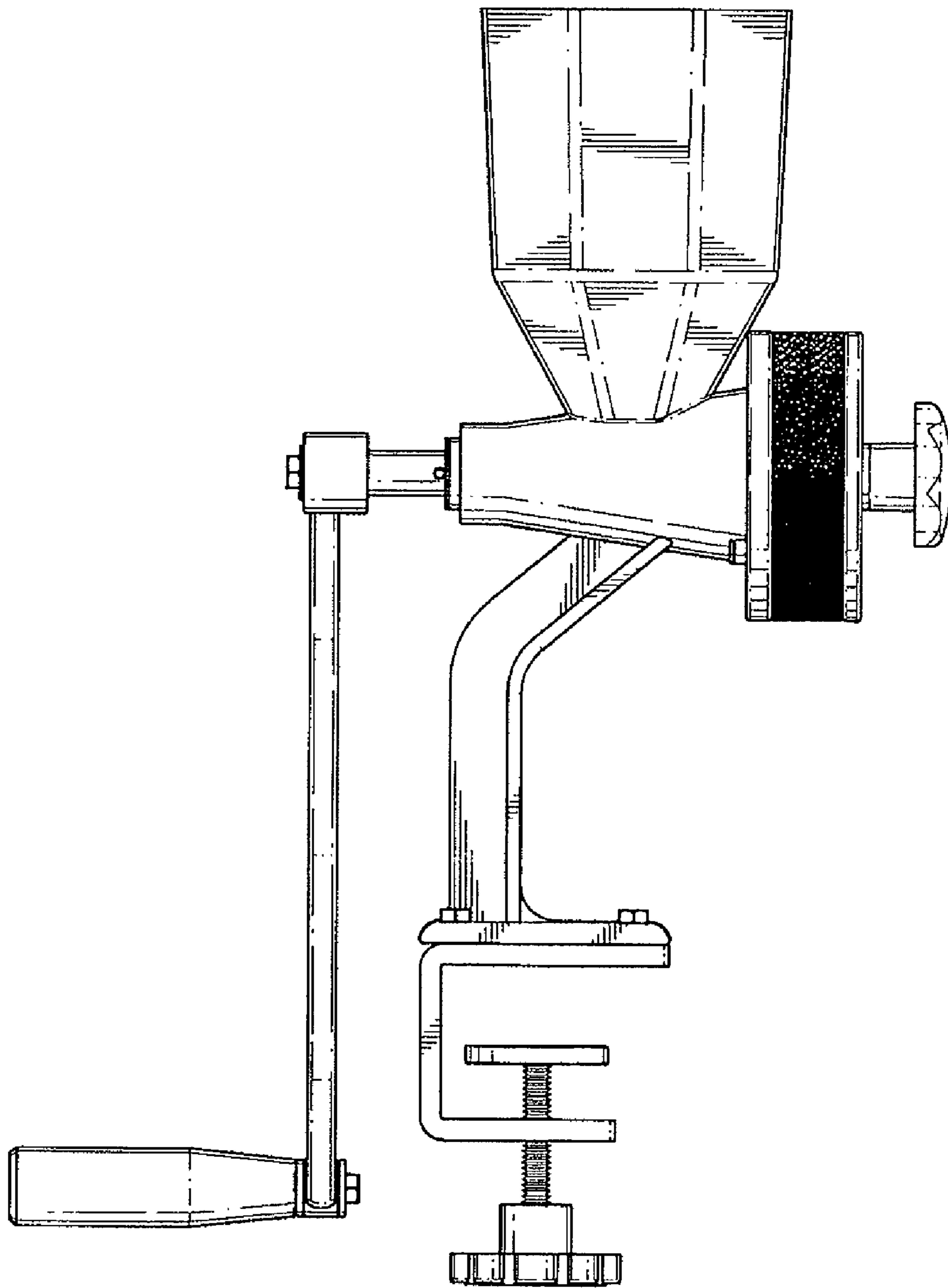


FIG. 5

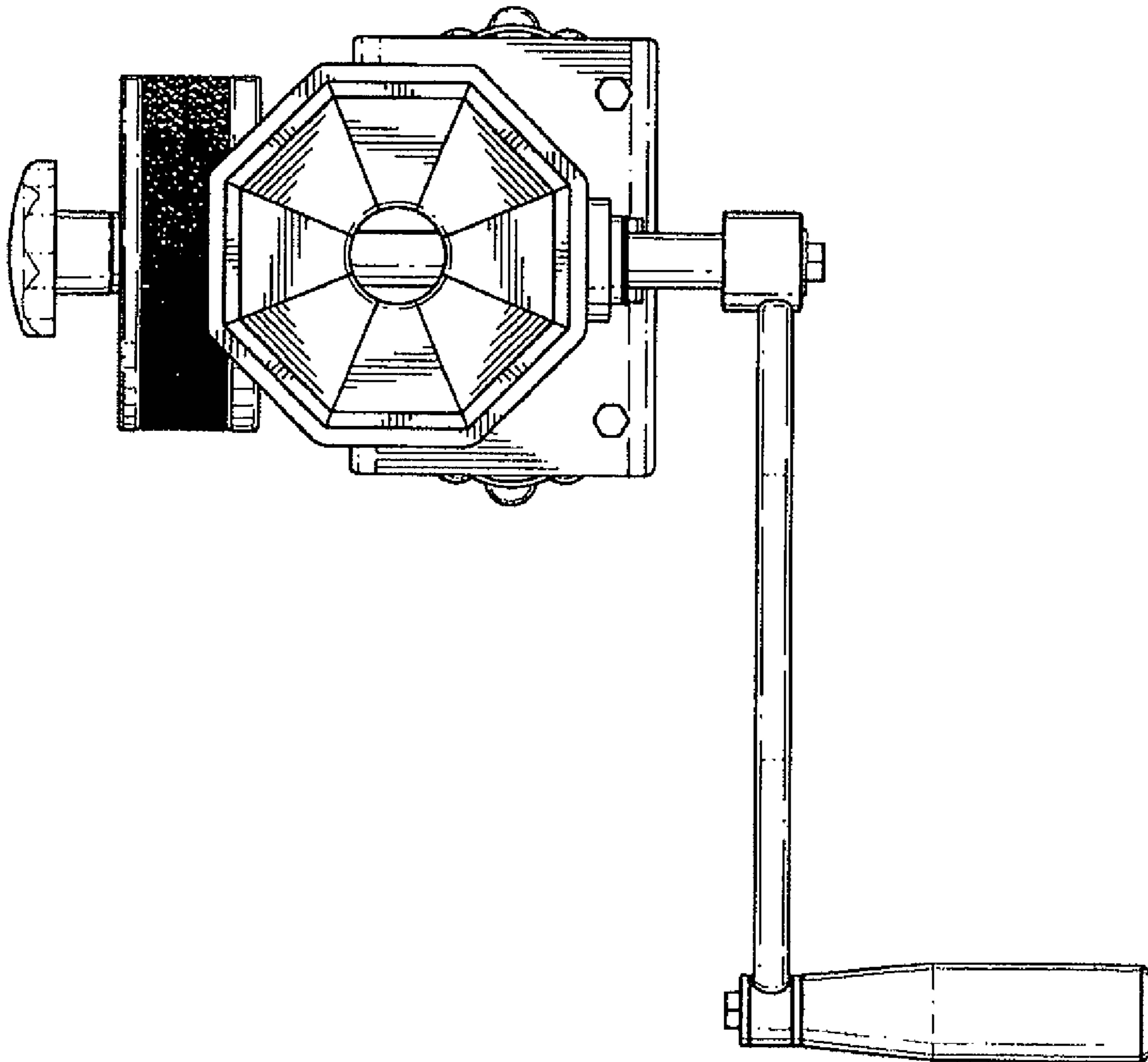


FIG. 6

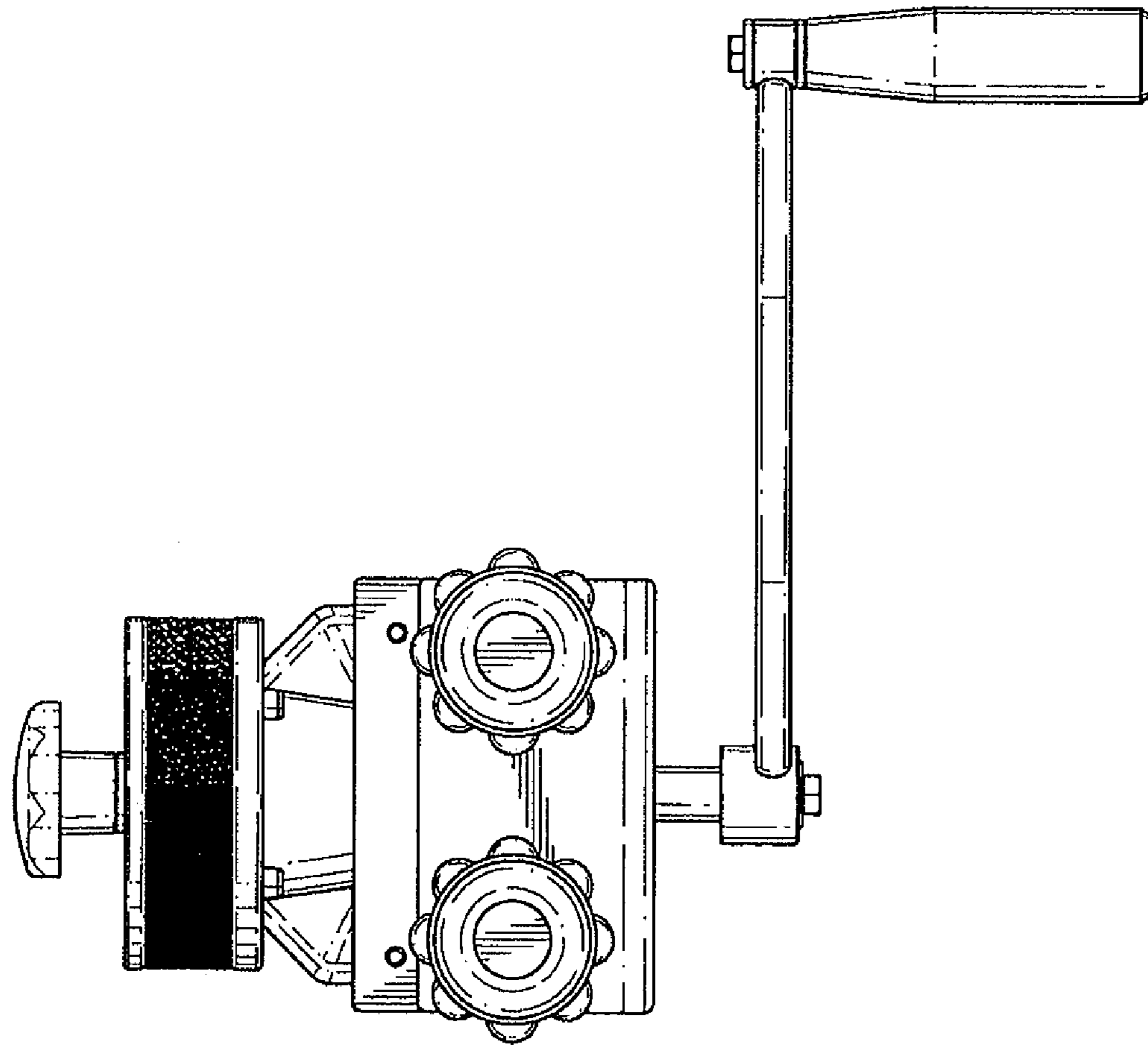


FIG. 7