



US00D568344S

(12) **United States Design Patent** (10) **Patent No.:** **US D568,344 S**
Baacke et al. (45) **Date of Patent:** **** *May 6, 2008**

(54) **REFRIGERATOR SHELF**

(75) Inventors: **Sven Baacke**, Munich (DE); **Christoph Becke**, Stephanskirchen (DE); **Matthew Ricket**, New Bern, NC (US); **Hermann-Reinhard Segers**, Munich (DE); **Roland Vetter**, Giengen (DE)

(73) Assignee: **BSH Bosch und Siemens Hausgeraete GmbH**, Munich (DE)

(*) Notice: This patent is subject to a terminal disclaimer.

(**) Term: **14 Years**

(21) Appl. No.: **29/259,930**

(22) Filed: **May 16, 2006**

(30) **Foreign Application Priority Data**

Nov. 30, 2005 (EM) 000445788

(51) **LOC (8) Cl.** **15-07**

(52) **U.S. Cl.** **D15/89**

(58) **Field of Classification Search** D15/79,
D15/85, 86, 89, 90, 91; 62/3.6, 125, 126,
62/187; 312/116, 138.1, 236, 321.5, 330.1,
312/401, 402, 404, 405, 405.1, 407, 408;
211/90.01, 153, 194; 108/26, 59, 108, 147.11,
108/147.16, 157.13

See application file for complete search history.

(56) **References Cited**

U.S. PATENT DOCUMENTS

D142,904 S * 11/1945 Paddock D15/89

2,786,729 A *	3/1957	Fields	312/350
5,287,252 A *	2/1994	Caruso	362/92
5,429,433 A *	7/1995	Bird et al.	312/408
5,441,338 A *	8/1995	Kane et al.	312/408
5,540,493 A *	7/1996	Kane et al.	312/408
5,913,584 A *	6/1999	Swindell et al.	312/408
D428,898 S *	8/2000	Hixson	D15/90
6,811,045 B1 *	11/2004	Masker et al.	211/153
2003/0117051 A1 *	6/2003	Kweon	312/408

* cited by examiner

Primary Examiner—Stella M. Reid

Assistant Examiner—Shanda C. Hill

(74) *Attorney, Agent, or Firm*—Russell W. Warnock; James E. Howard

(57) **CLAIM**

The ornamental design for a refrigerator shelf, as shown and described.

DESCRIPTION

FIG. 1 is a perspective view of a refrigerator shelf showing our ornamental design;

FIG. 2 is a top plan view thereof;

FIG. 3 is a right side view thereof;

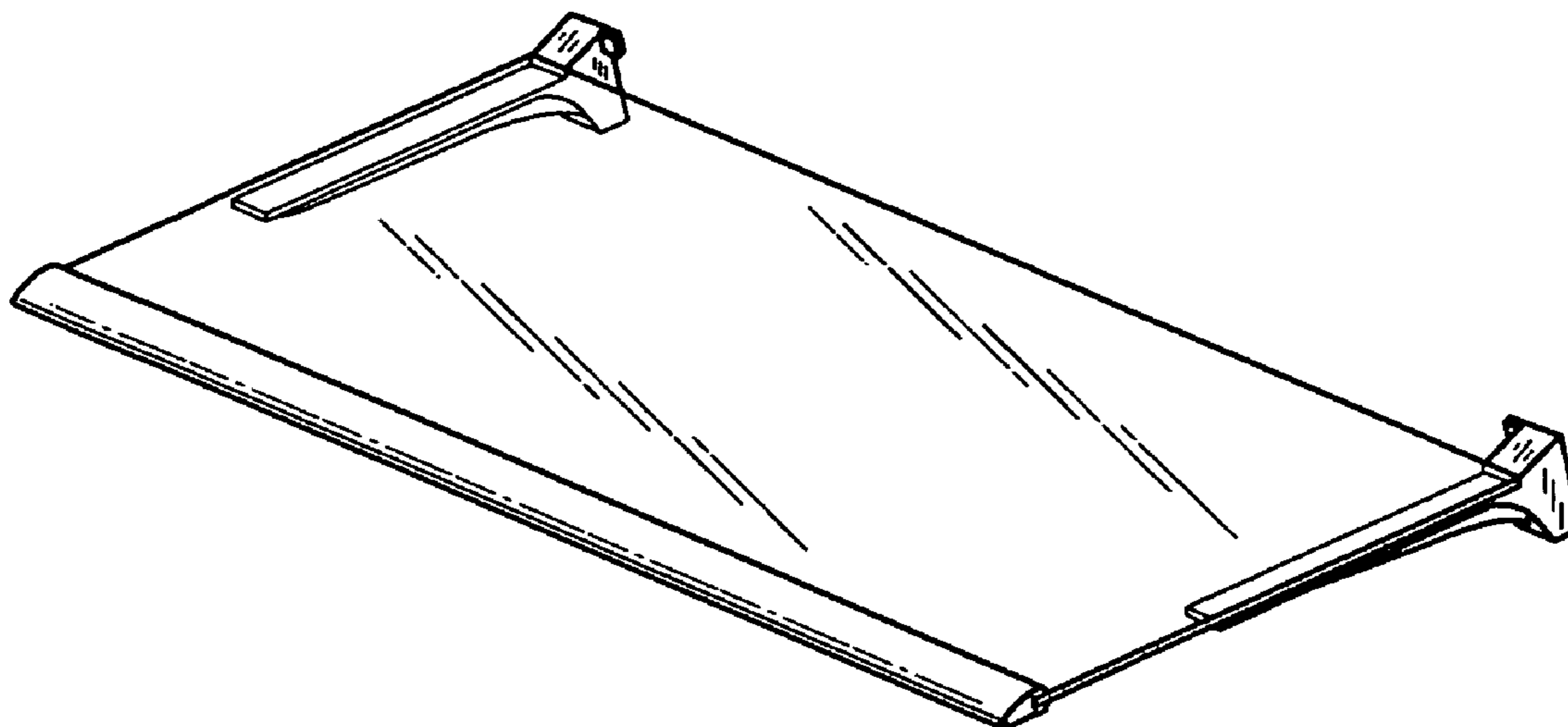
FIG. 4 is a left side view of thereof;

FIG. 5 is a front view of thereof;

FIG. 6 is a rear view of thereof; and,

FIG. 7 is a bottom plan view of thereof.

1 Claim, 4 Drawing Sheets



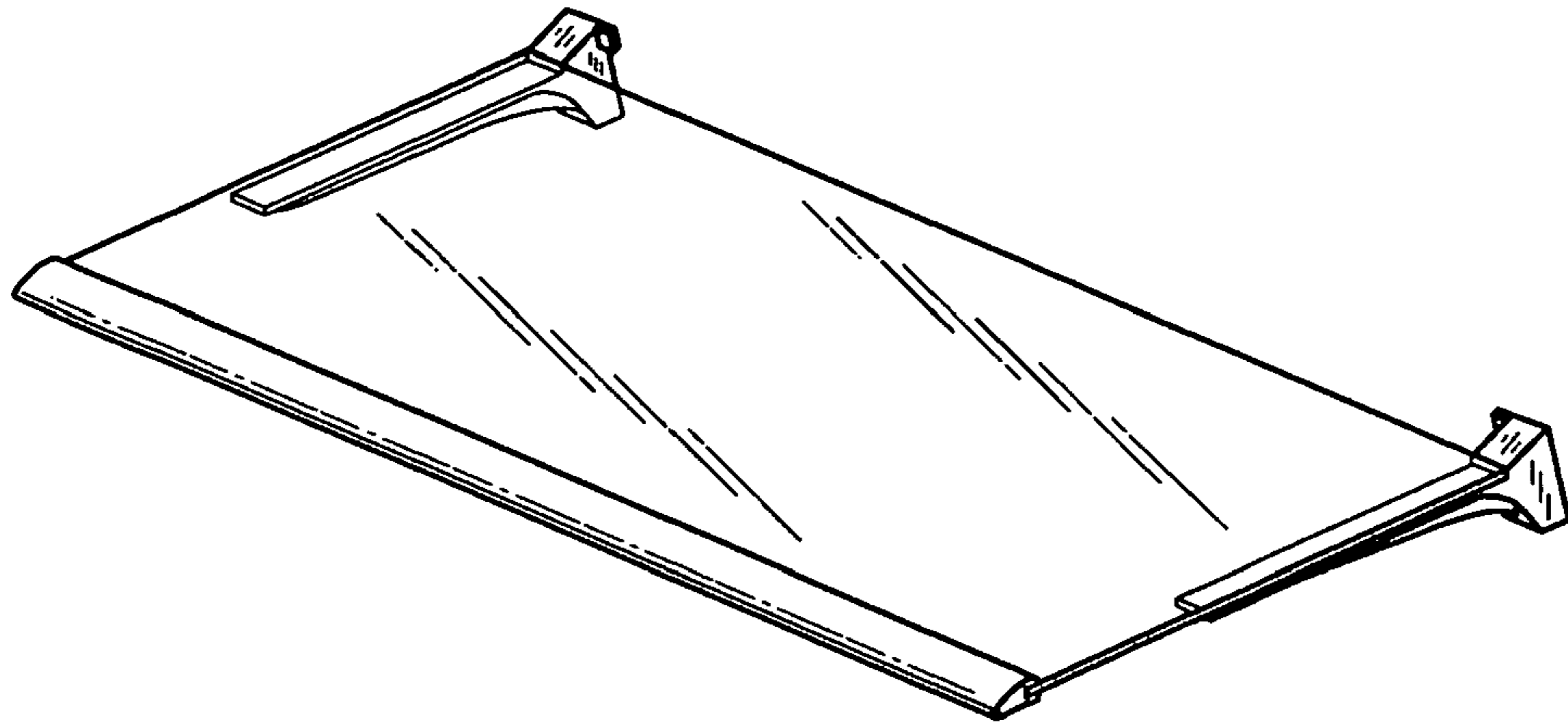


FIG. 1

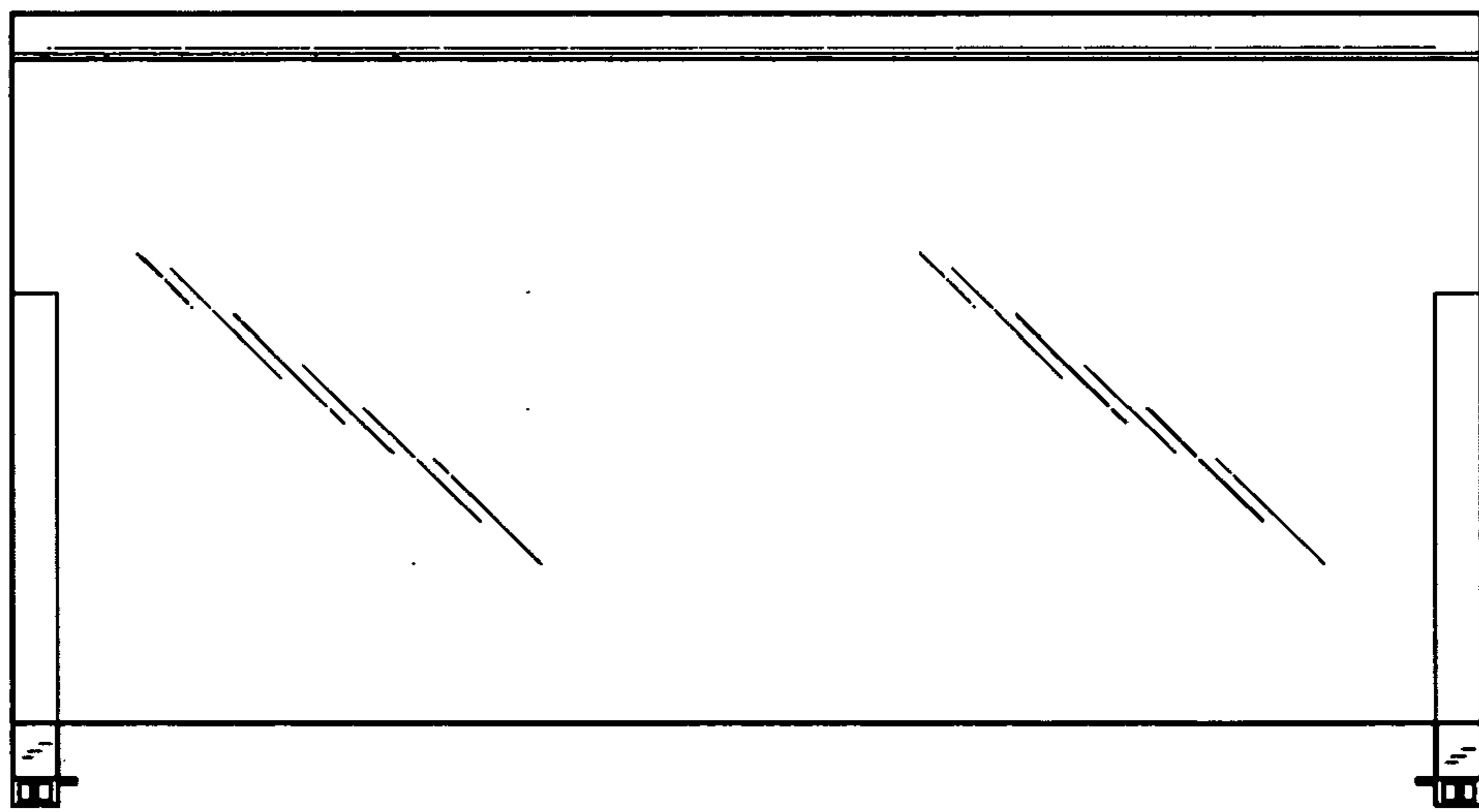


FIG. 2

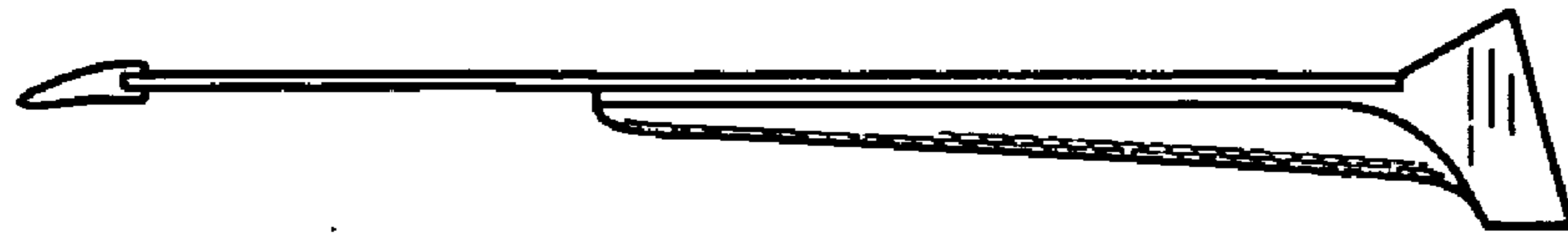


FIG. 3

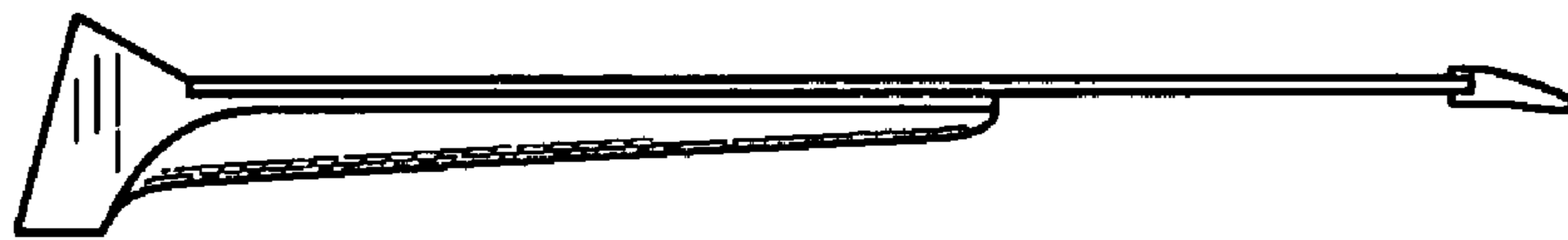


FIG. 4

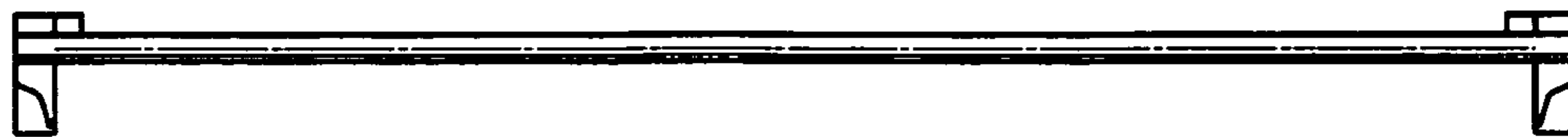


FIG. 5

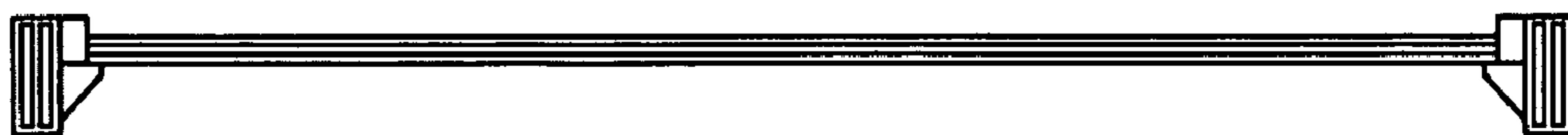


FIG. 6

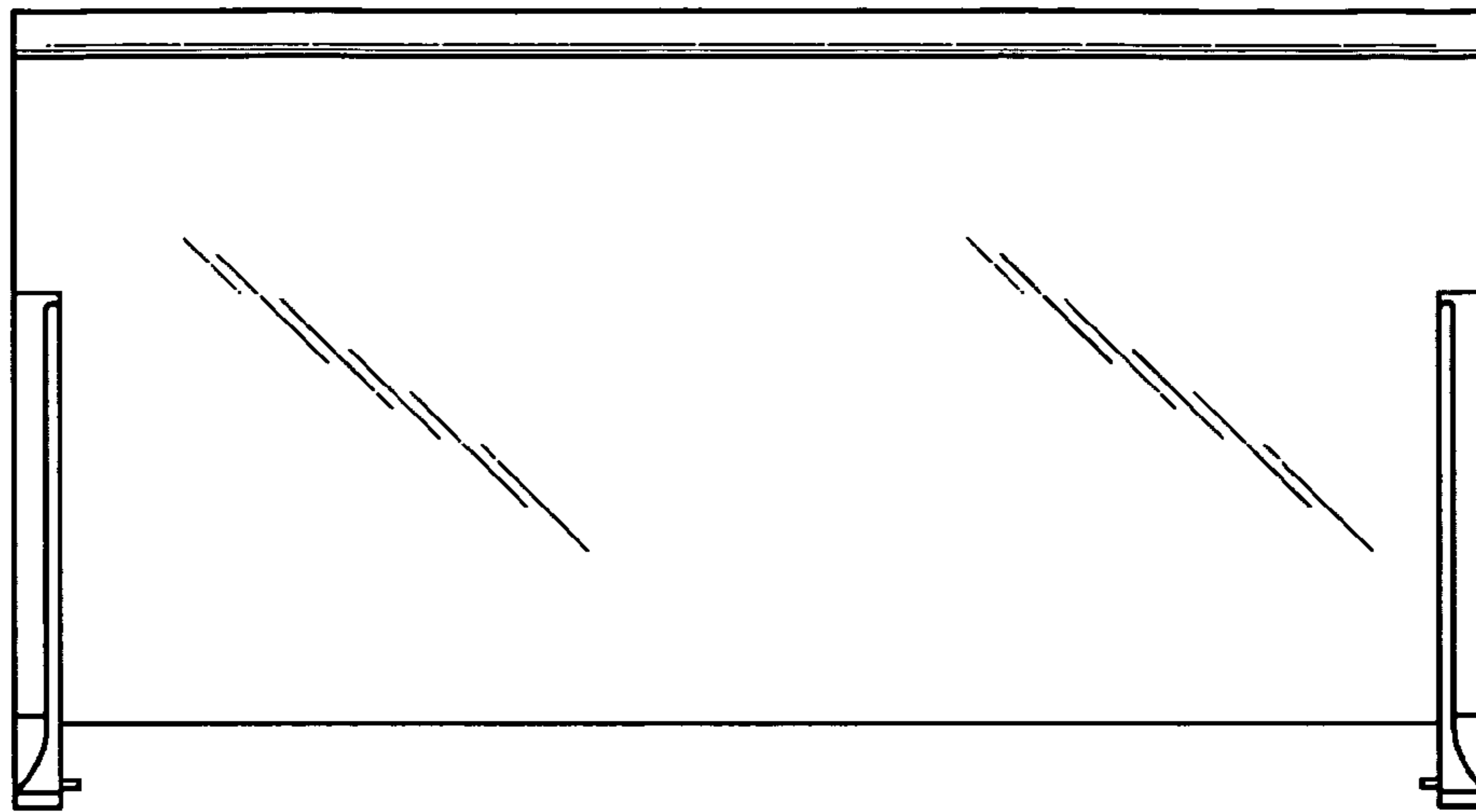


FIG. 7