



US00D568342S

(12) **United States Design Patent**
Kleingraeber

(10) **Patent No.:** **US D568,342 S**

(45) **Date of Patent:** **** May 6, 2008**

(54) **FORAGE HARVESTER**

(75) Inventor: **Karl-Josef Kleingraeber**, Warendorf
(DE)

(73) Assignee: **CLAAS KGaA mbH**, Harsewinkel
(DE)

(**) Term: **14 Years**

(21) Appl. No.: **29/283,470**

(22) Filed: **Aug. 15, 2007**

(30) **Foreign Application Priority Data**

Mar. 12, 2007 (EM) 000686779-0001

(51) **LOC (8) Cl.** **15-03**

(52) **U.S. Cl.** **D15/26**

(58) **Field of Classification Search** D15/10,
D15/28, 33, 22-26; 180/89.1, 900, 89.12;
209/421; 460/23; 241/40, 152.2, 101.742,
241/101.77; 56/13.3, 14.6, 14.7, 10.1, 16.7,
56/16.6, 10.2 E, 10.2 R

See application file for complete search history.

(56) **References Cited**

U.S. PATENT DOCUMENTS

D205,780 S *	9/1966	van der Lely	D15/26
D209,413 S *	11/1967	Koeber	D15/26
3,384,232 A *	5/1968	Turnbull et al.	209/11
D221,572 S *	8/1971	Ashton	D15/26
D221,573 S *	8/1971	Ashton	D15/26
D223,466 S *	4/1972	Fell	D15/26
D231,557 S *	4/1974	Hennen et al.	D15/23
D245,420 S *	8/1977	Maucher	D15/26
D253,057 S *	10/1979	Fachini et al.	D15/26
4,223,846 A *	9/1980	Priepke et al.	241/60
4,256,431 A *	3/1981	Strauss et al.	414/505
4,324,091 A *	4/1982	Wistuba et al.	56/16.6
4,332,262 A *	6/1982	De Busscher	460/75

4,416,486 A *	11/1983	McNaught et al.	296/190.11
4,830,288 A *	5/1989	Streicher	241/40
D309,738 S *	8/1990	Schober et al.	D15/26
5,309,700 A *	5/1994	Winkels et al.	56/10.2 E
5,519,987 A *	5/1996	Voss et al.	56/14.6
D373,591 S *	9/1996	Von Allworden et al.	...	D15/26
D399,851 S *	10/1998	Stauffer et al.	D15/10
D400,543 S *	11/1998	Benedict et al.	D15/10
5,904,365 A *	5/1999	Dillon	280/419
D432,142 S *	10/2000	Olson et al.	D15/10
D436,363 S *	1/2001	Strong et al.	D15/10
6,282,875 B1 *	9/2001	Holtkotte et al.	56/228
D460,461 S *	7/2002	Strong et al.	D15/10

* cited by examiner

Primary Examiner—Stella M. Reid

Assistant Examiner—Mark Goodwin

(74) *Attorney, Agent, or Firm*—Michael J. Striker

(57) **CLAIM**

The ornamental design for a forage harvester, as shown and described.

DESCRIPTION

FIG. 1 is a front perspective view of a forage harvester showing my new design;

FIG. 2 is a side view thereof;

FIG. 3 is a front view thereof;

FIG. 4 is a rear view thereof;

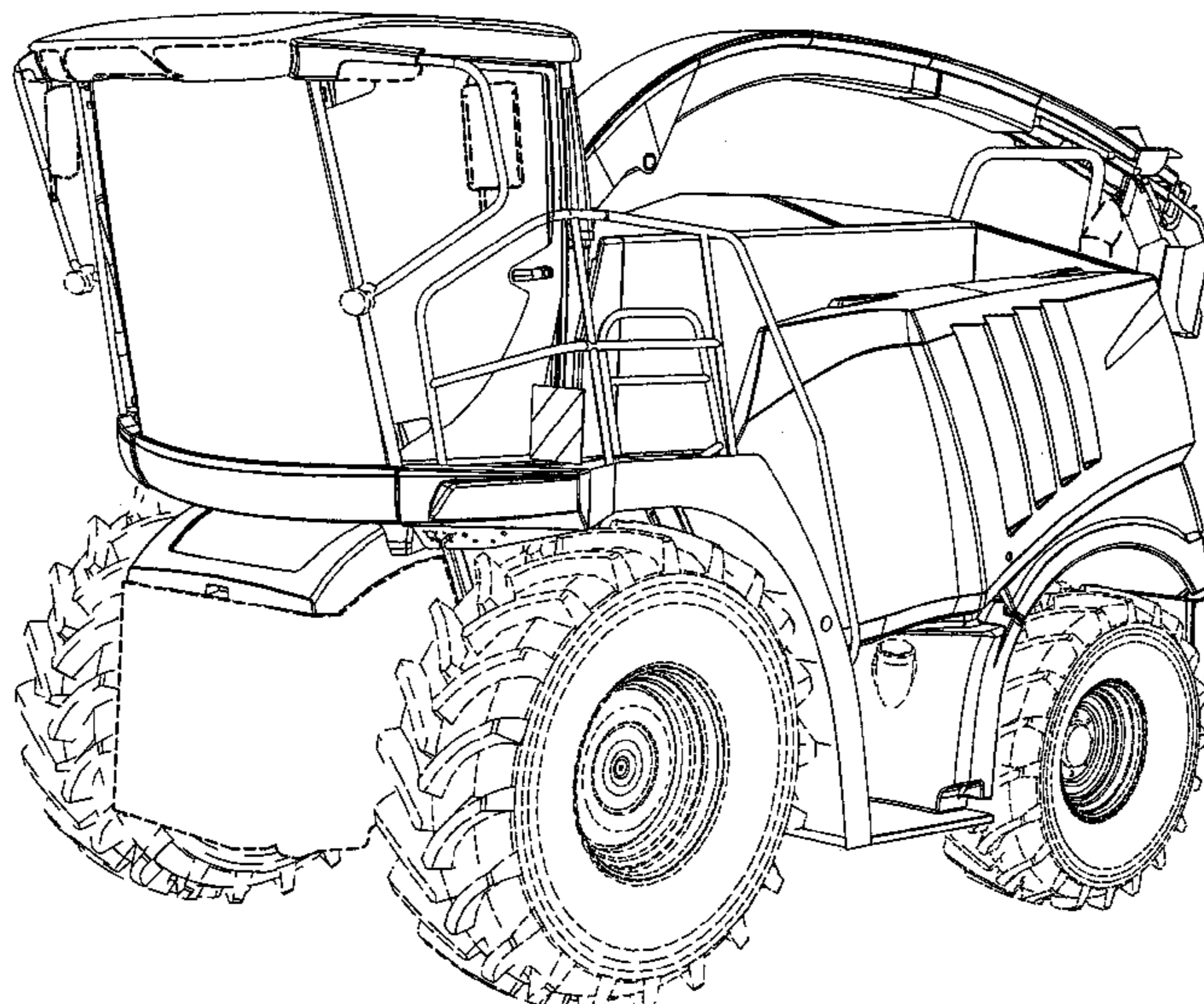
FIG. 5 is a rear perspective view thereof;

FIG. 6 is a top view thereof; and,

FIG. 7 is the opposite side view of FIG. 2 thereof.

The broken line showing of the tires, ladder and various small elements attached to the harvester is included for the purpose of illustrating portions of the harvester and forms no part of the claimed design.

1 Claim, 7 Drawing Sheets



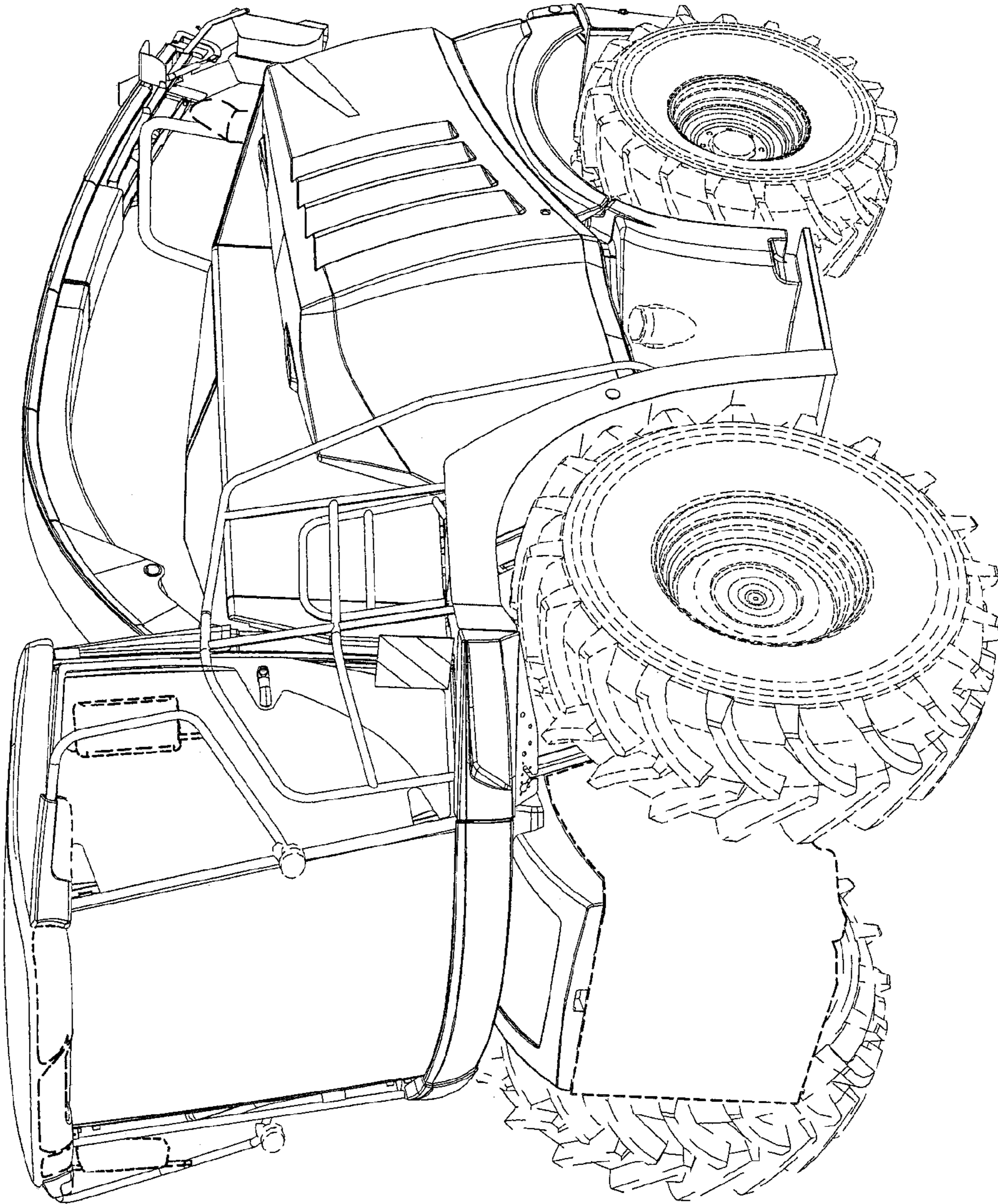


FIG.1

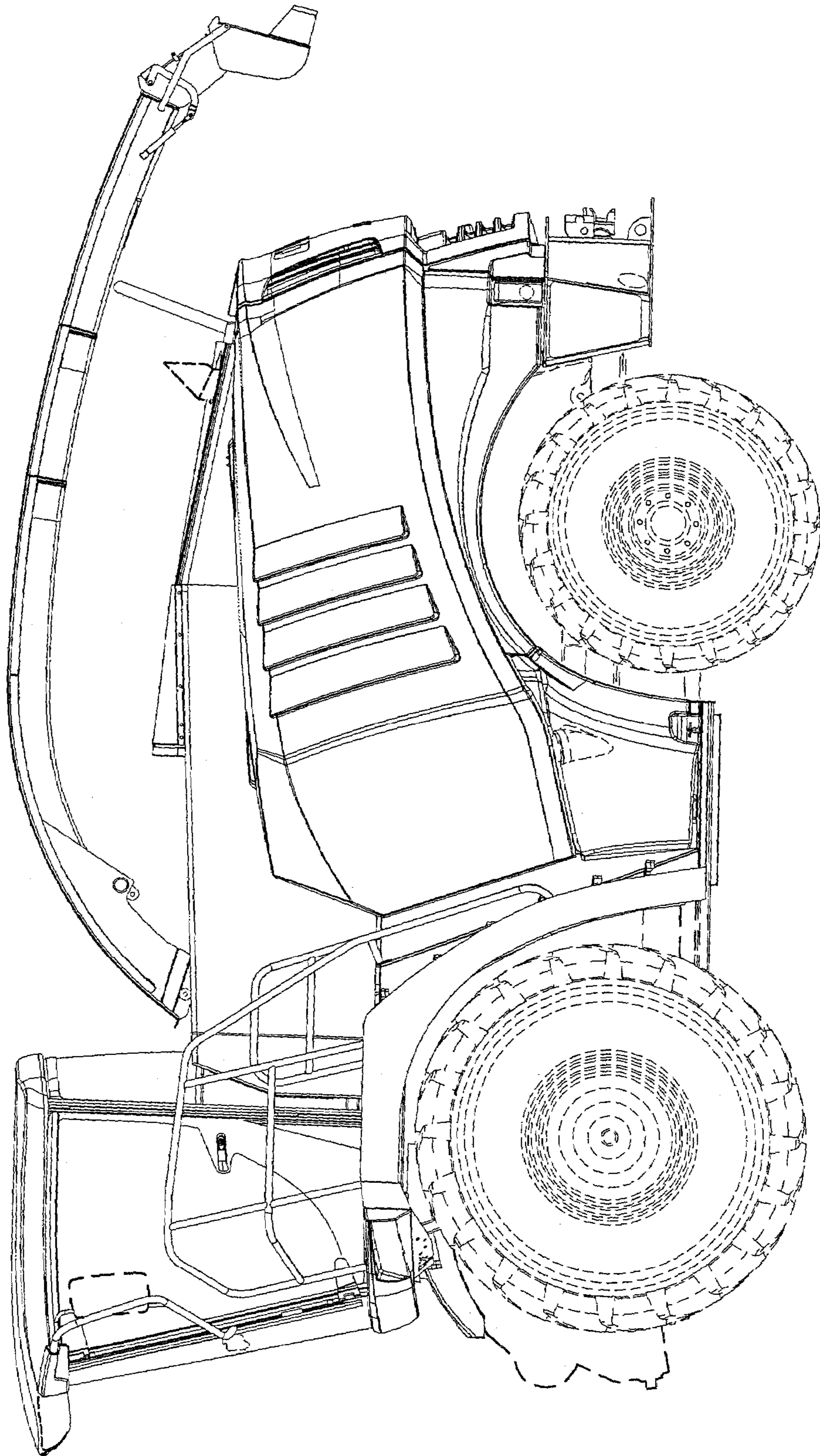


FIG.2

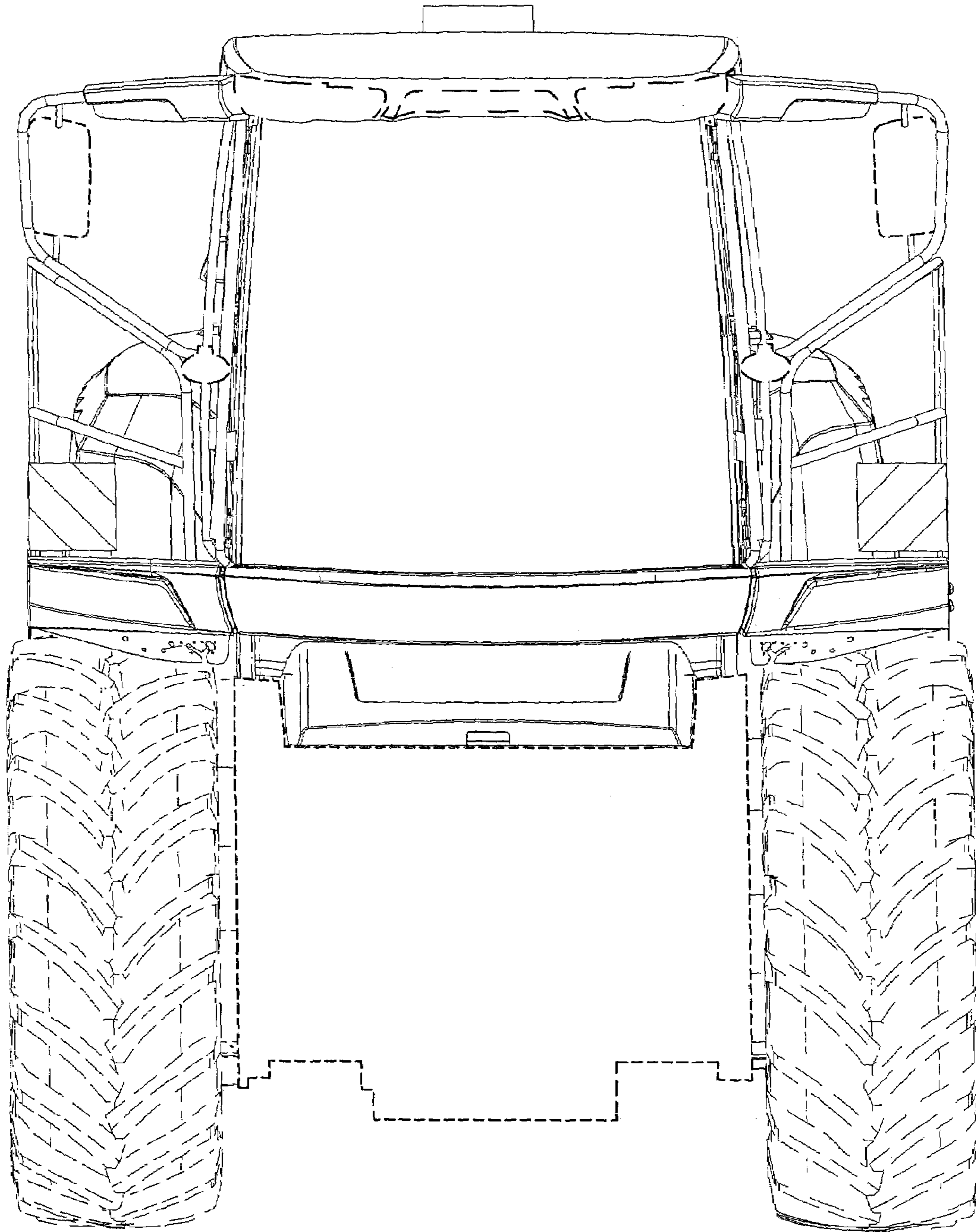


FIG. 3

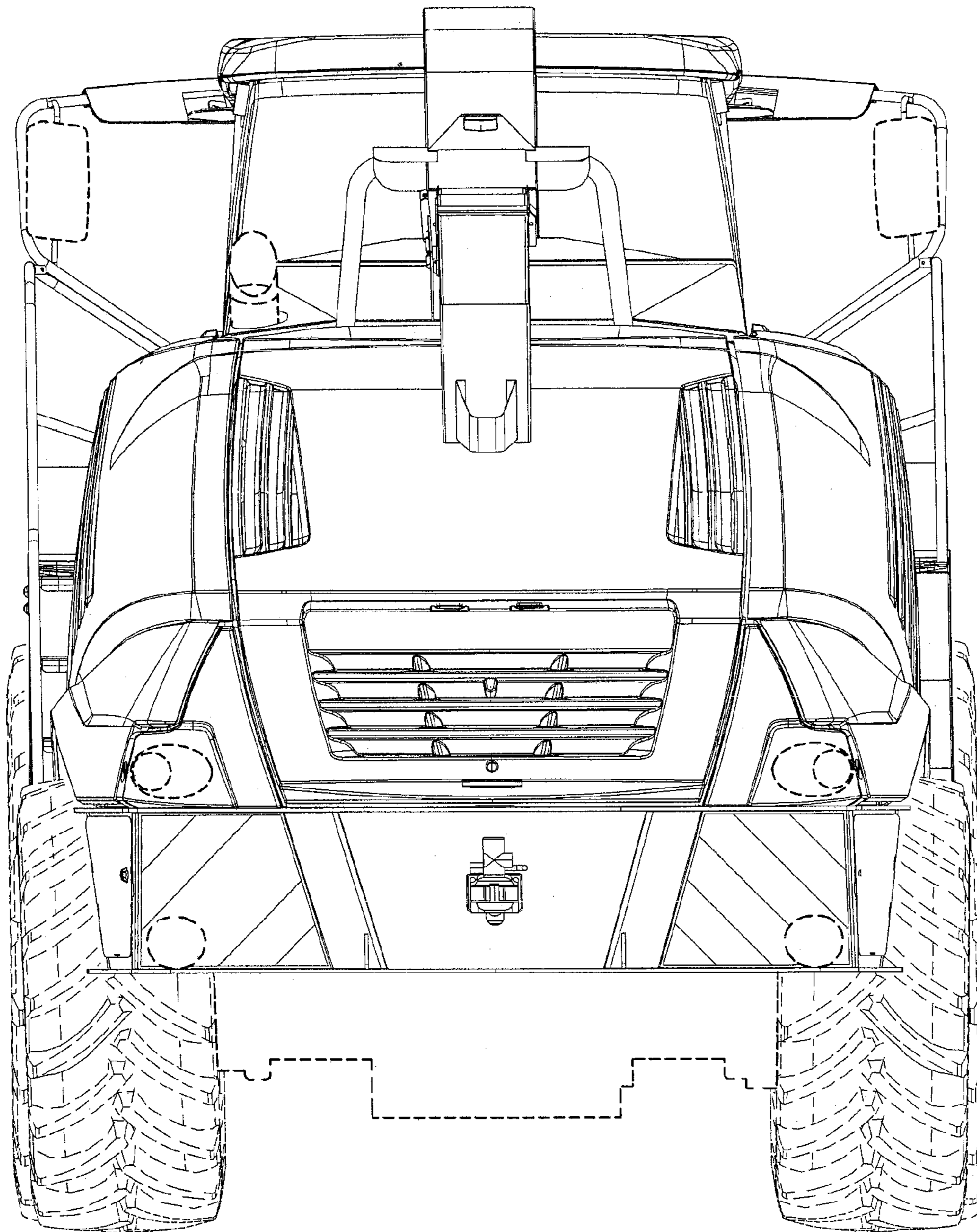


FIG.4

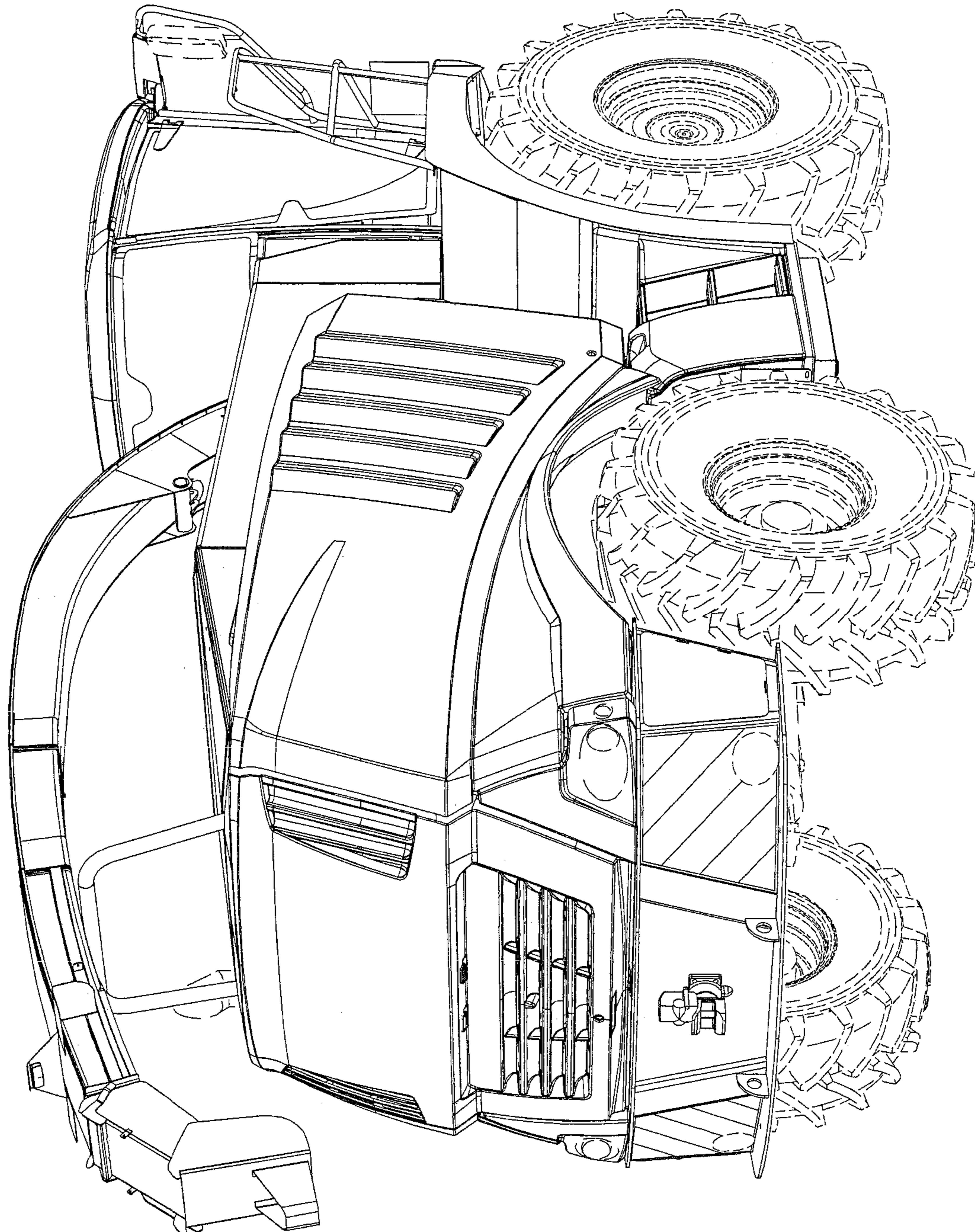


FIG. 5

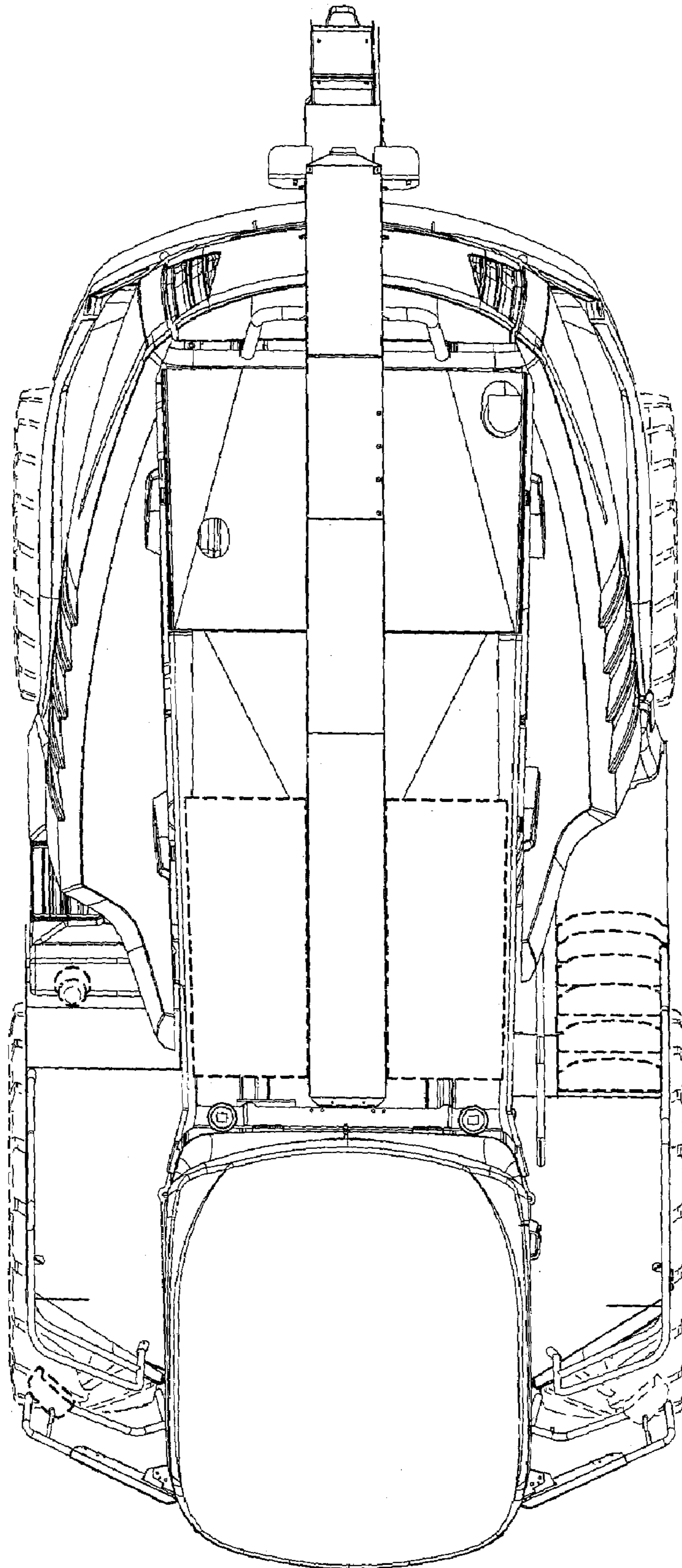


FIG.6

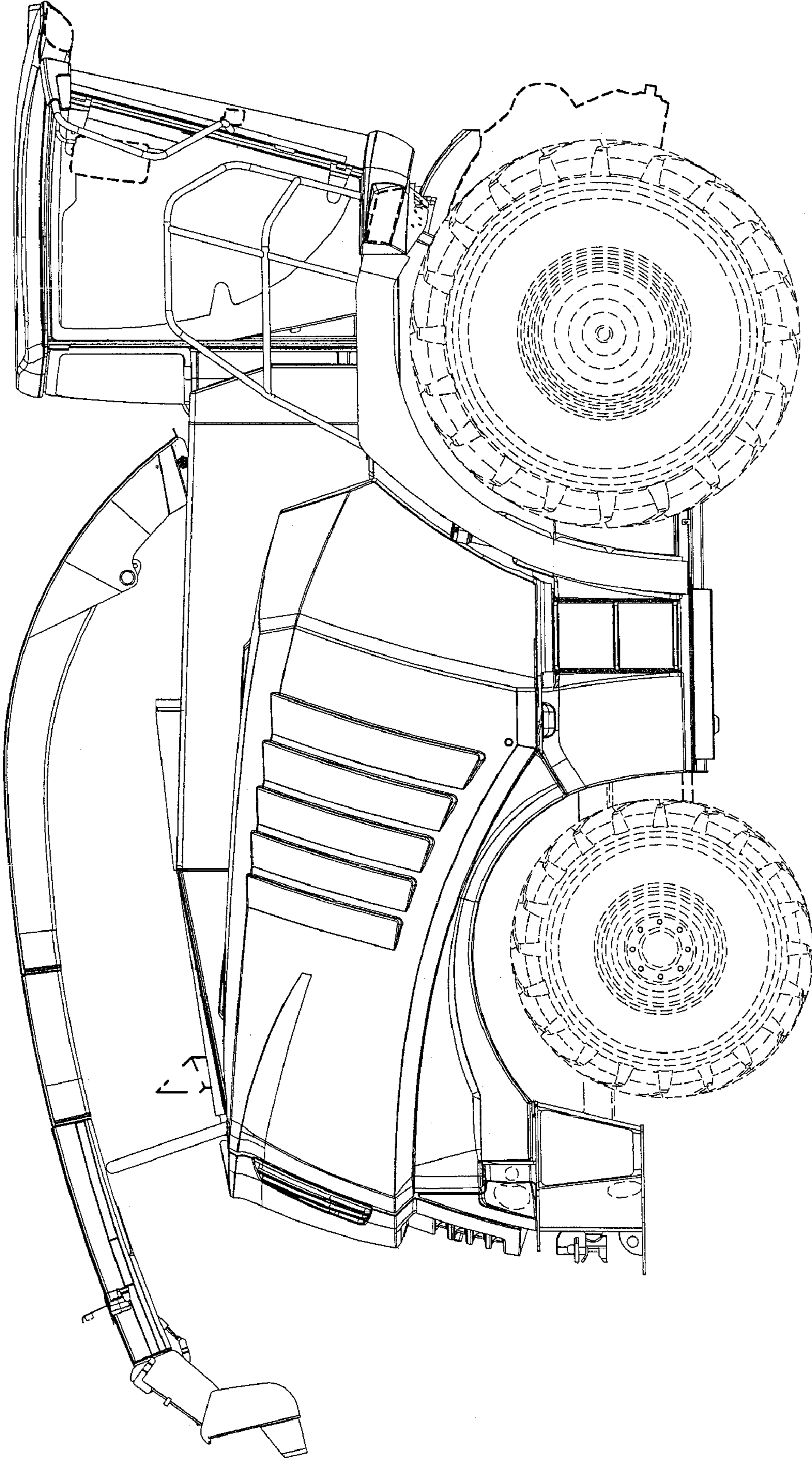


FIG. 7