



US00D568341S

(12) **United States Design Patent**
Vaughn

(10) **Patent No.:** **US D568,341 S**

(45) **Date of Patent:** **** May 6, 2008**

(54) **TILLER FENDER**

(75) Inventor: **Christopher W. Vaughn**, Mebane, NC (US)

(73) Assignee: **Honda Motor Co., Ltd.**, Tokyo (JP)

(**) Term: **14 Years**

(21) Appl. No.: **29/284,208**

(22) Filed: **Sep. 4, 2007**

(51) **LOC (8) Cl.** **15-03**

(52) **U.S. Cl.** **D15/11**

(58) **Field of Classification Search** D15/10-12, D15/17, 21, 28; D12/196; 180/89.1, 53.1, 180/89.12, 900, 16.7; 172/508, 42-44, 48, 172/72, 260, 250, 256, 329, 351, 365; 56/17.4, 56/16.7, 320.1, DIG. 20, DIG. 24
See application file for complete search history.

(56) **References Cited**

U.S. PATENT DOCUMENTS

D193,274 S *	7/1962	Hotz et al.	D15/12
D193,998 S *	11/1962	Hotz et al.	D15/12
D203,347 S *	12/1965	Davies, III	D15/12
D206,274 S *	11/1966	Davies, III	D15/12
6,920,939 B2 *	7/2005	Sasaoka et al.	172/119
D523,026 S	6/2006	Vaughn	
7,237,620 B2 *	7/2007	Abenroth et al.	172/42
2002/0046846 A1 *	4/2002	Sasaoka	172/42
2002/0074137 A1 *	6/2002	Dillon	172/21
2003/0178208 A1 *	9/2003	Abenroth et al.	172/42

2004/0140108 A1* 7/2004 Yamazaki et al. 172/42
2004/0194982 A1* 10/2004 Fukuzumi et al. 172/42

* cited by examiner

Primary Examiner—Mitchell Siegel

Assistant Examiner—Mark Goodwin

(74) *Attorney, Agent, or Firm*—Plumsea Law Group, LLC

(57) **CLAIM**

The ornamental design for a tiller fender, as shown and described.

DESCRIPTION

FIG. 1 is a left front perspective view of a tiller fender showing my new design;

FIG. 2 is a right front perspective view thereof;

FIG. 3 is a right rear perspective view thereof;

FIG. 4 is a top plan view thereof;

FIG. 5 is a right side elevational view thereof, the opposite side elevational view being a mirror image thereof;

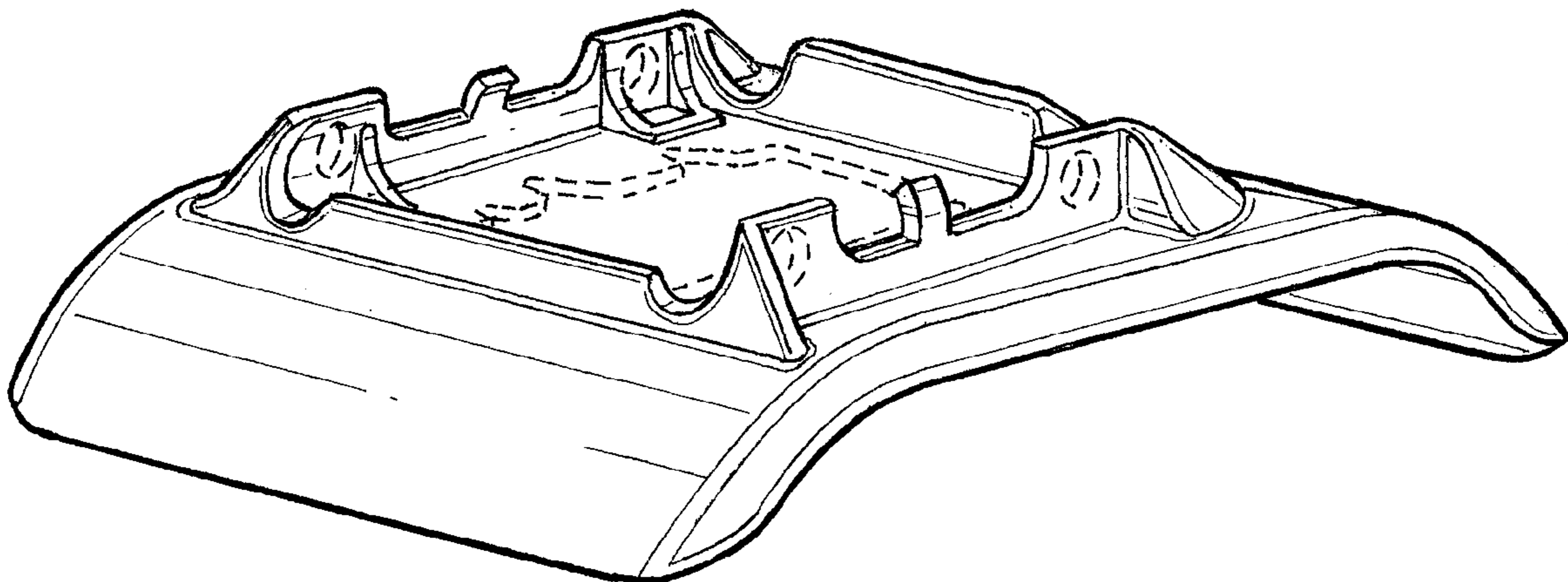
FIG. 6 is a rear elevational view thereof;

FIG. 7 is a front elevational view thereof; and,

FIG. 8 is a reduced right rear perspective view thereof shown in use condition.

The broken line showings of the irregular central opening, and the attachment apertures, as well as the remainder of the tiller in FIG. 8 are for illustrative purposes only and form no part of the claimed design.

1 Claim, 4 Drawing Sheets



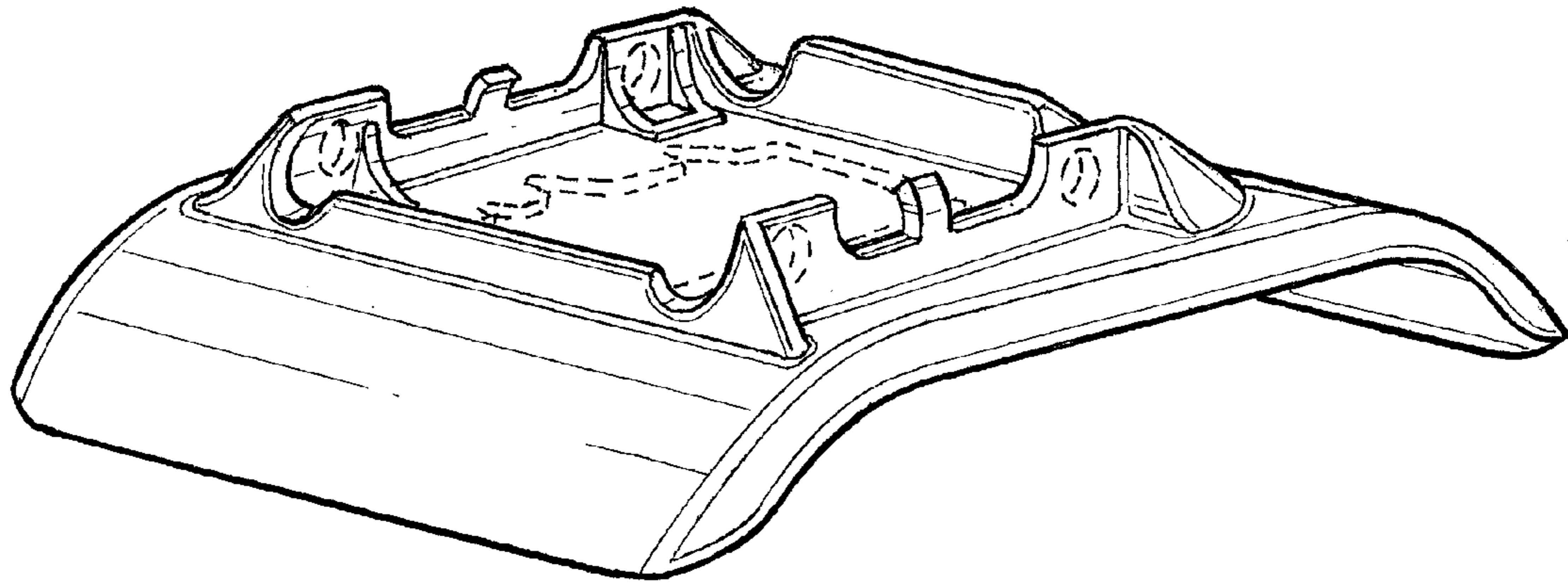


FIG. 1

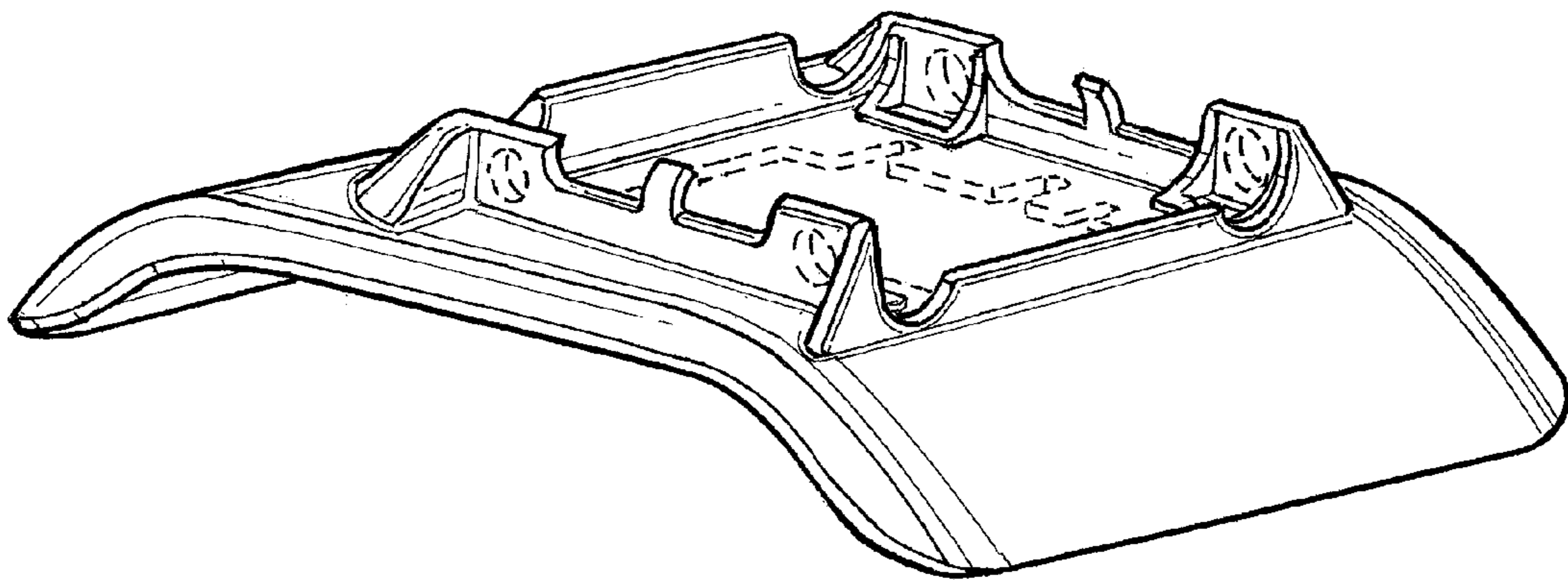


FIG. 2

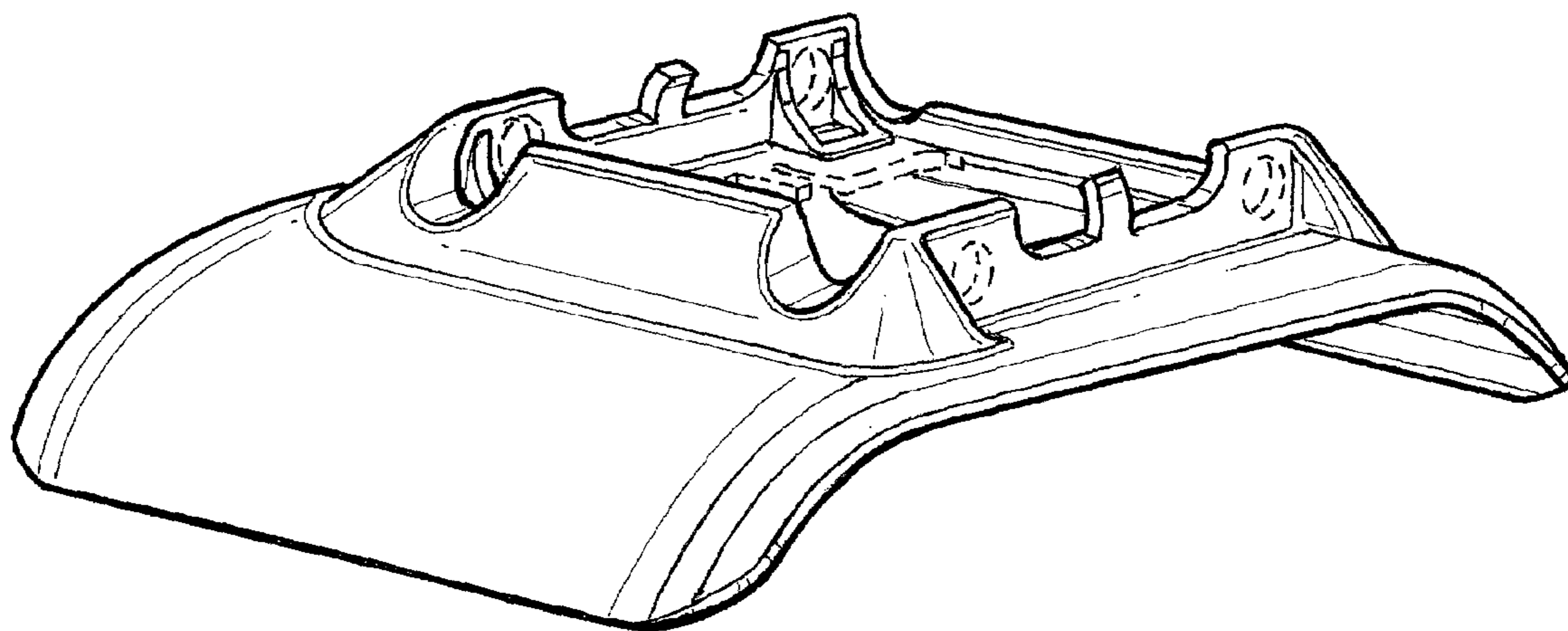


FIG. 3

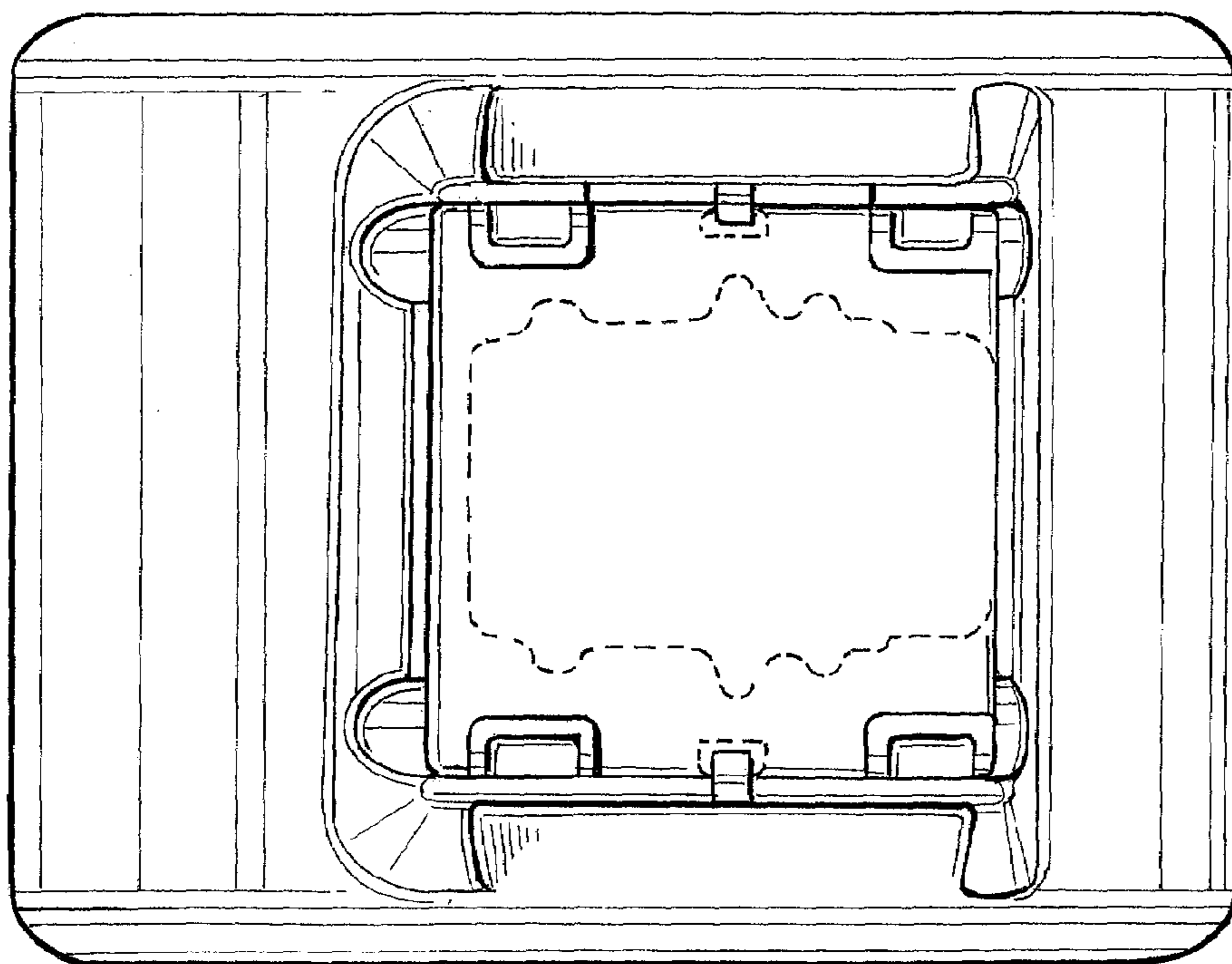


FIG. 4

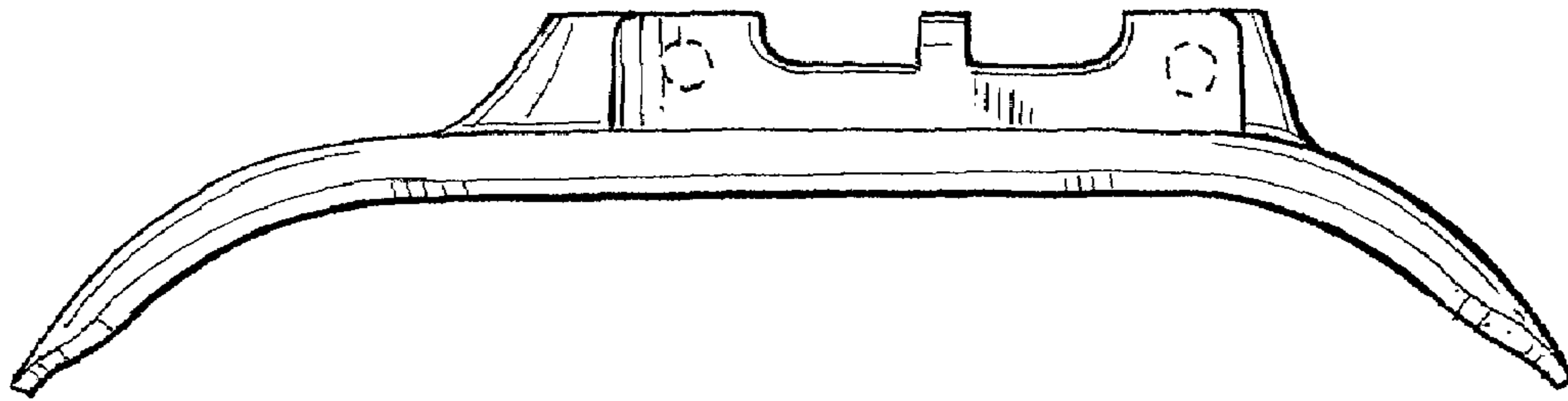


FIG. 5

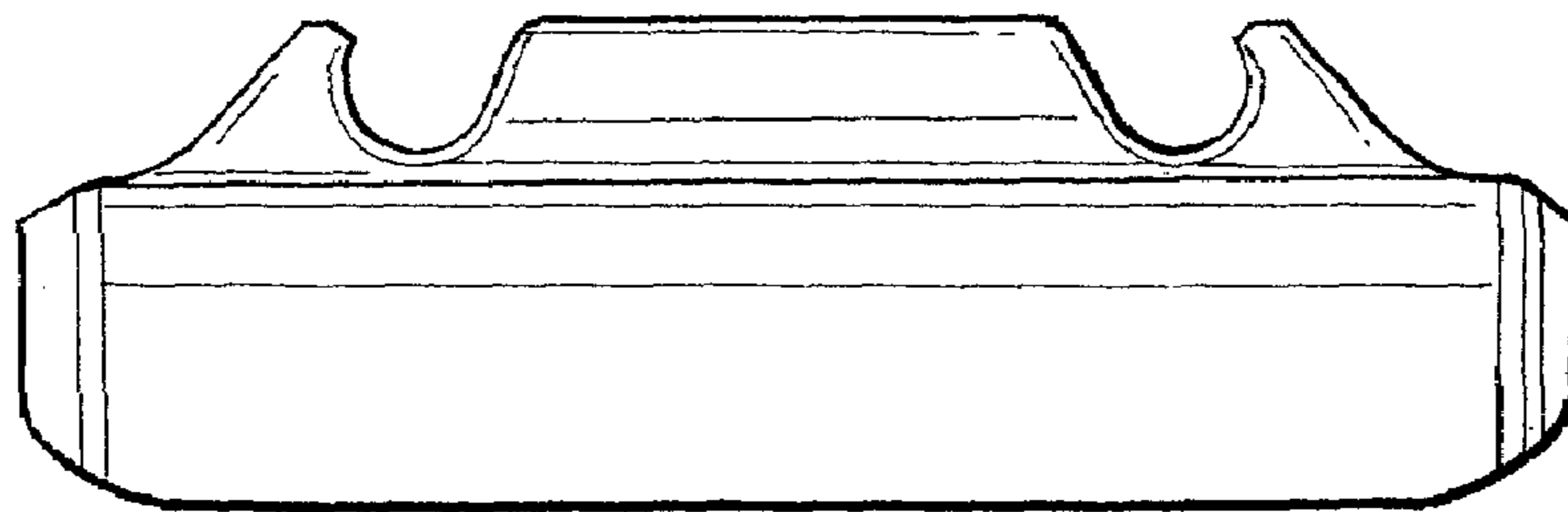


FIG. 6

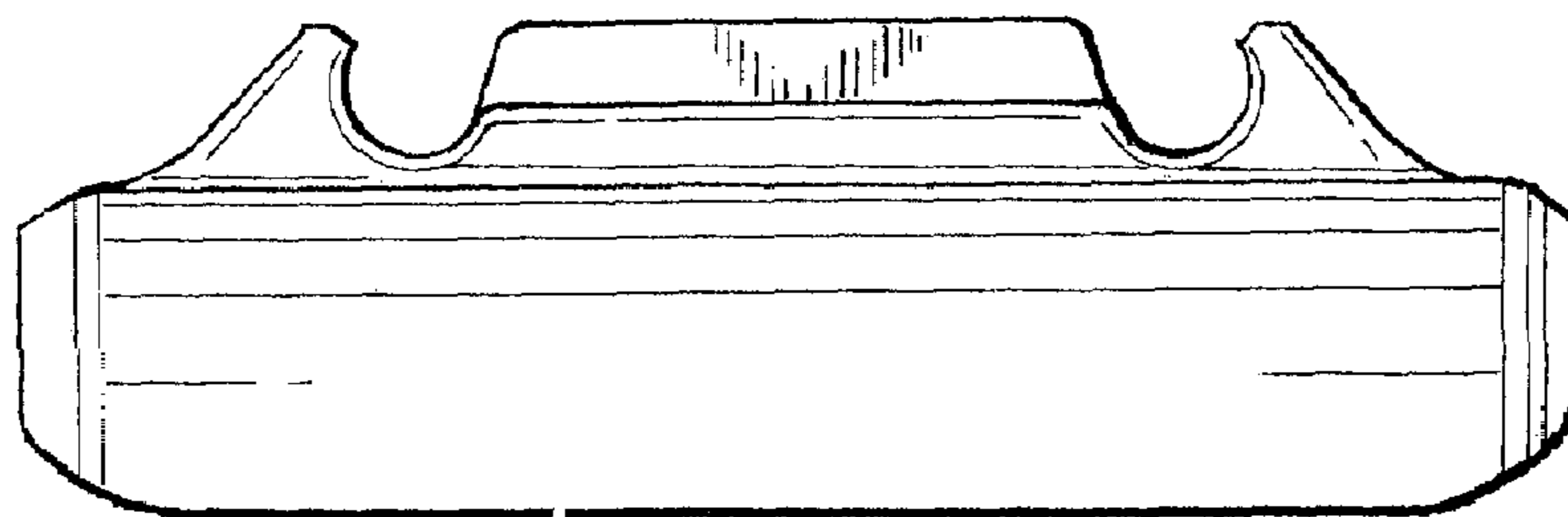


FIG. 7

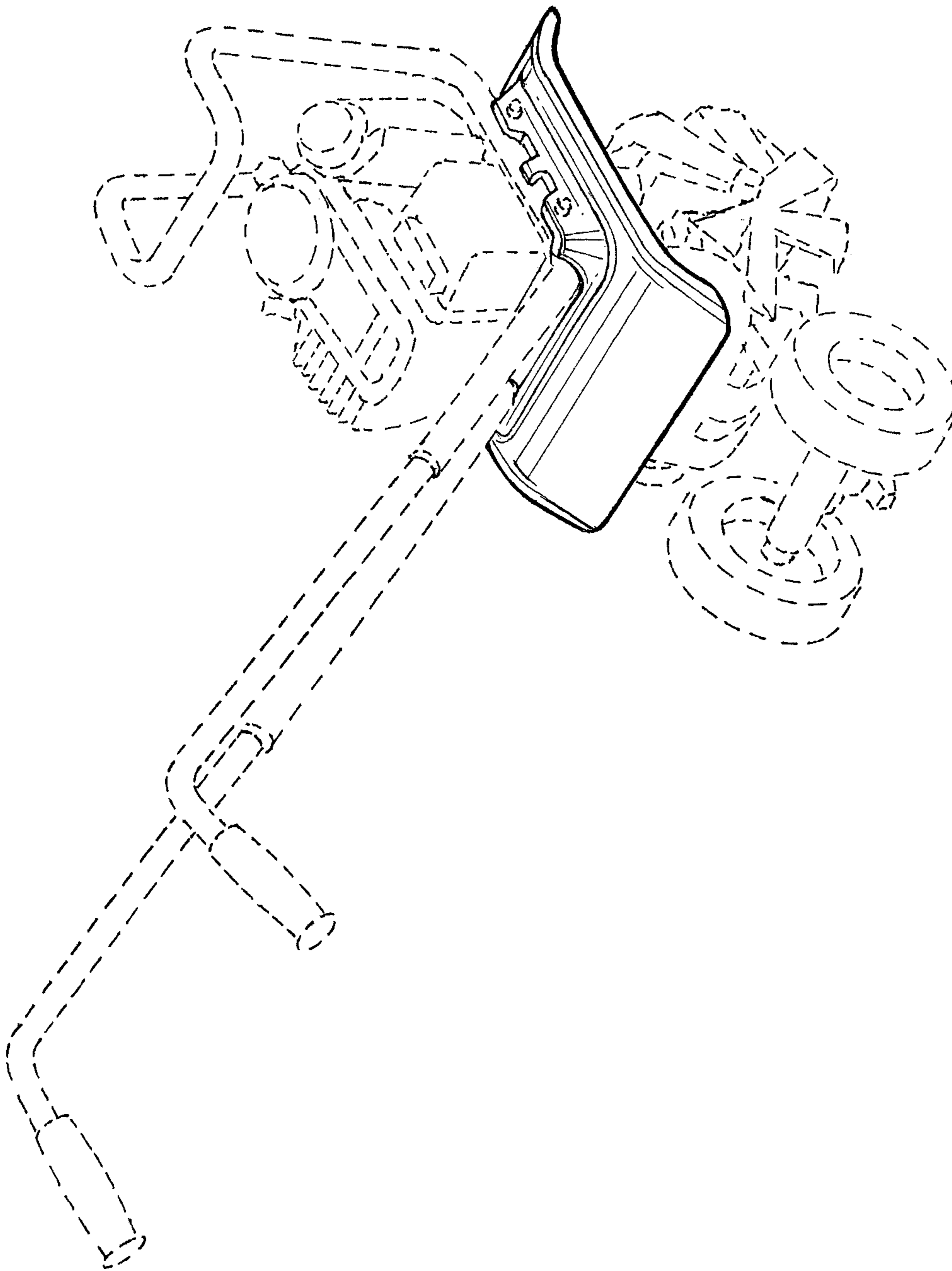


FIG. 8