

US00D568340S

(12) **United States Design Patent**
Stiles, Jr. et al.

(10) **Patent No.:** **US D568,340 S**

(45) **Date of Patent:** **** May 6, 2008**

(54) **WATER PUMP**

(75) Inventors: **Robert W Stiles, Jr.**, Cary, NC (US);
Lars Hoffmann Berthelsen, Randers
(DK); **Ronald B Robol**, Sanford, NC
(US); **Christopher R Yahnker**,
Raleigh, NC (US); **John Gary Bulluck**,
Apex, NC (US); **Gert Kjaer**,
Soenderborg (DK); **Arne Fink Hansen**,
Graasten (DK)

(73) Assignees: **Pentair Water Pool and Spa, Inc.**,
Moorpark, CA (US); **Danfoss Low**
Power Drives, a division of Danfoss
Drive A/S, Graasten (DK)

(**) Term: **14 Years**

(21) Appl. No.: **29/258,181**

(22) Filed: **Apr. 18, 2006**

(51) **LOC (8) Cl.** **15-01**

(52) **U.S. Cl.** **D15/5**

(58) **Field of Classification Search** D15/5,
D15/7; D23/200, 206; D7/305; 417/360,
417/423.1, 423.14, 68-69, 904
See application file for complete search history.

(56) **References Cited**

U.S. PATENT DOCUMENTS

D372,719 S * 8/1996 Jensen D15/7

6,884,022 B2 * 4/2005 Albright et al. 415/111
D504,900 S * 5/2005 Wang D15/7
D505,429 S * 5/2005 Wang D15/7
D511,530 S * 11/2005 Wang D15/7
D512,440 S * 12/2005 Wang D15/7
6,984,158 B2 * 1/2006 Satoh et al. 440/88 P
7,114,926 B2 * 10/2006 Oshita et al. 416/207

* cited by examiner

Primary Examiner—Alan P. Douglas

Assistant Examiner—Maurice Stevens

(74) *Attorney, Agent, or Firm*—Michael Best & Friedrich
LLP

(57) **CLAIM**

The ornamental design for a water pump, as shown and
described.

DESCRIPTION

FIG. 1 is a perspective view of our new plastic pump;

FIG. 2 is a right side view thereof;

FIG. 3 is a left side view thereof;

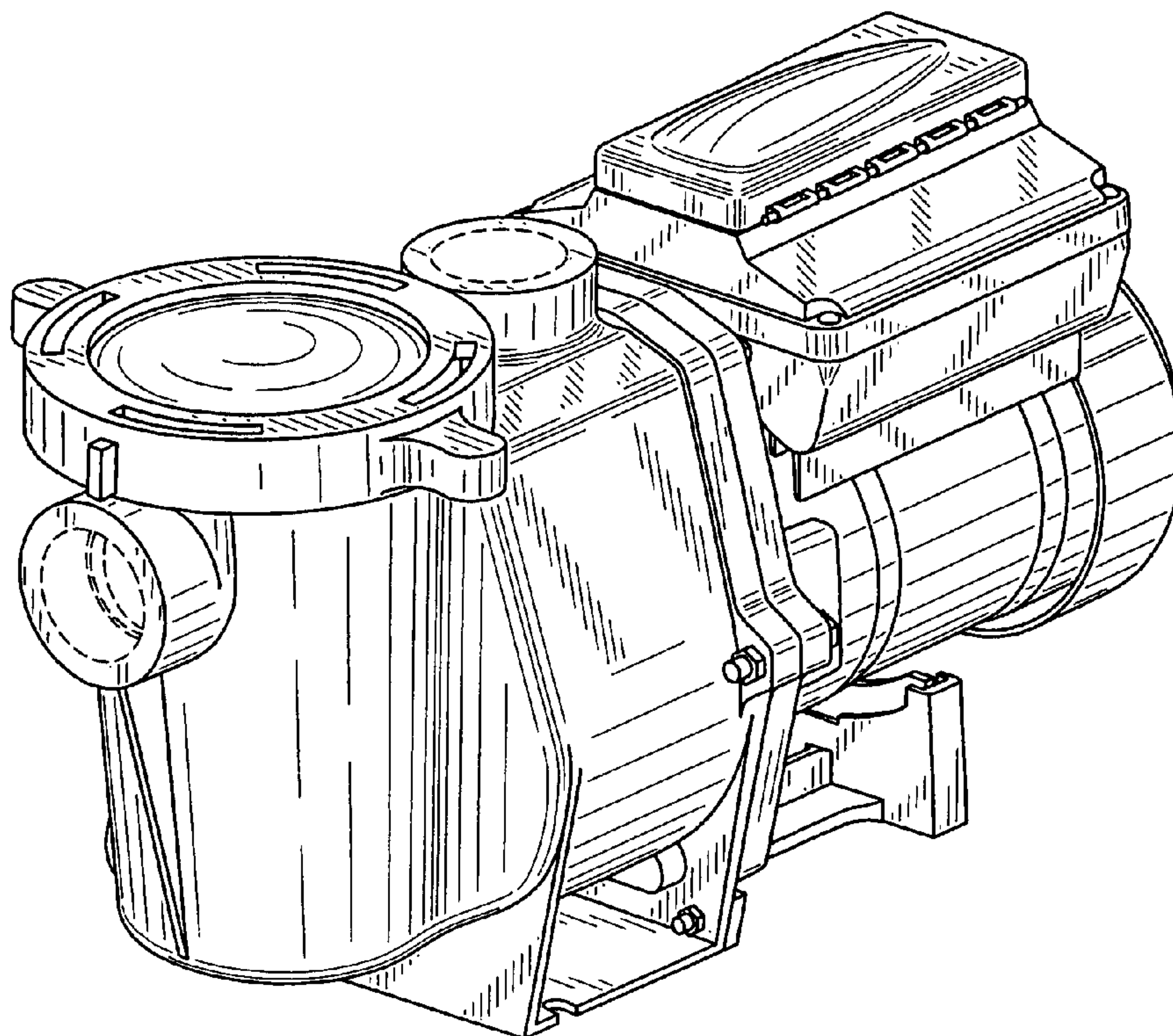
FIG. 4 is a front view thereof;

FIG. 5 is a rear view thereof; and,

FIG. 6 is a top view thereof.

The broken line shown in FIGS. 1 and 4-6 are included for
the purpose of illustrating environment and form no part of
the claimed design.

1 Claim, 5 Drawing Sheets



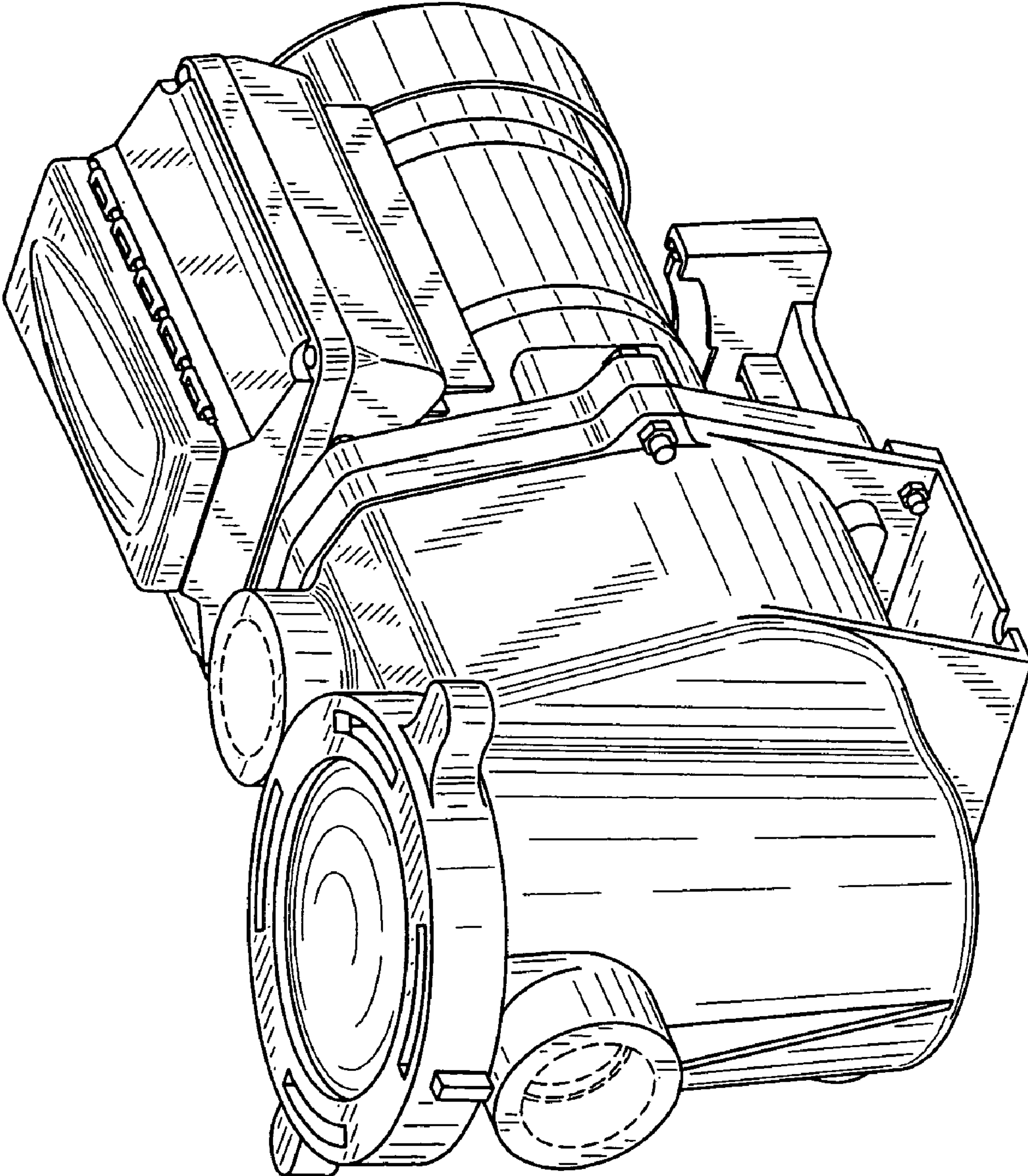


FIG. 1

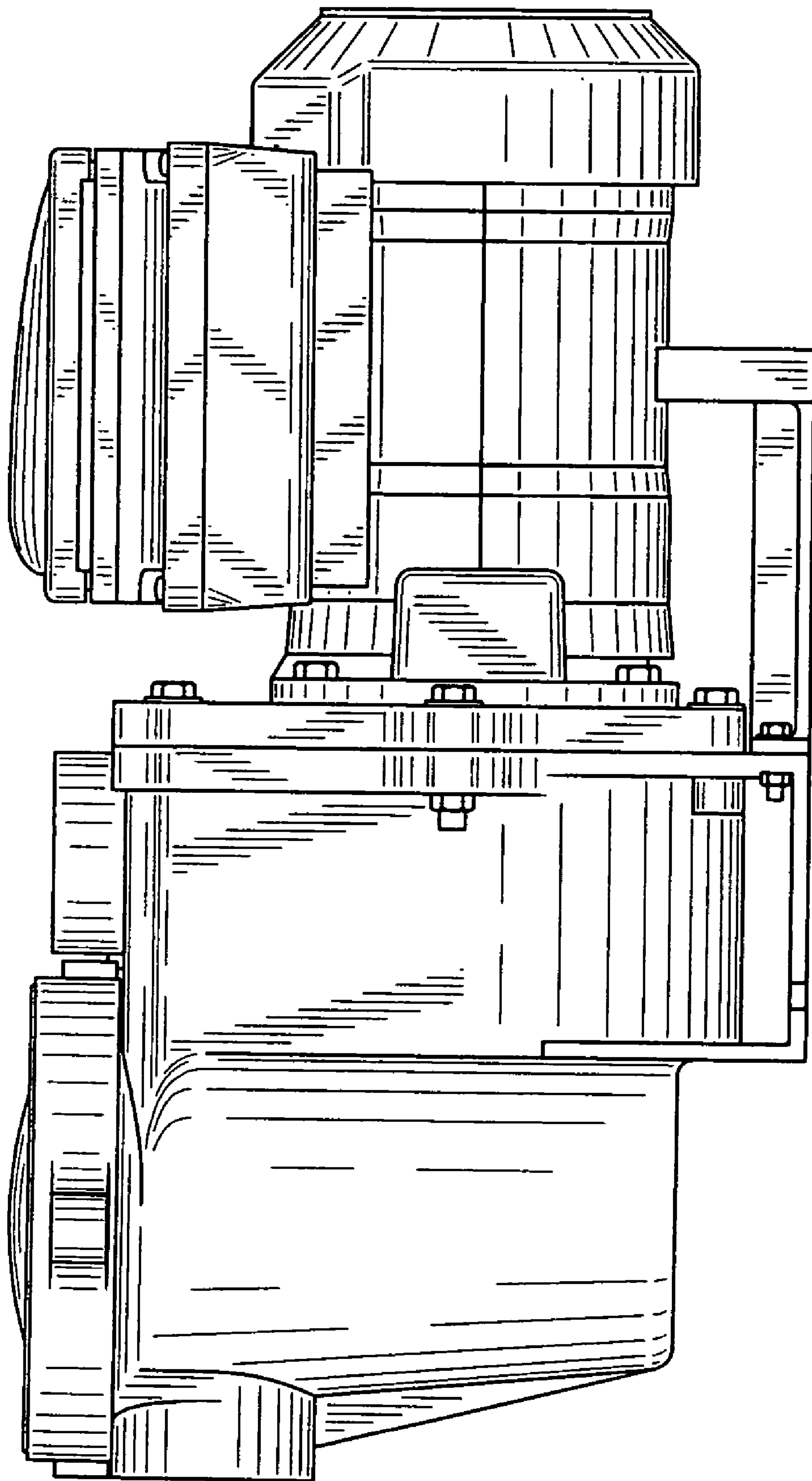


FIG. 2

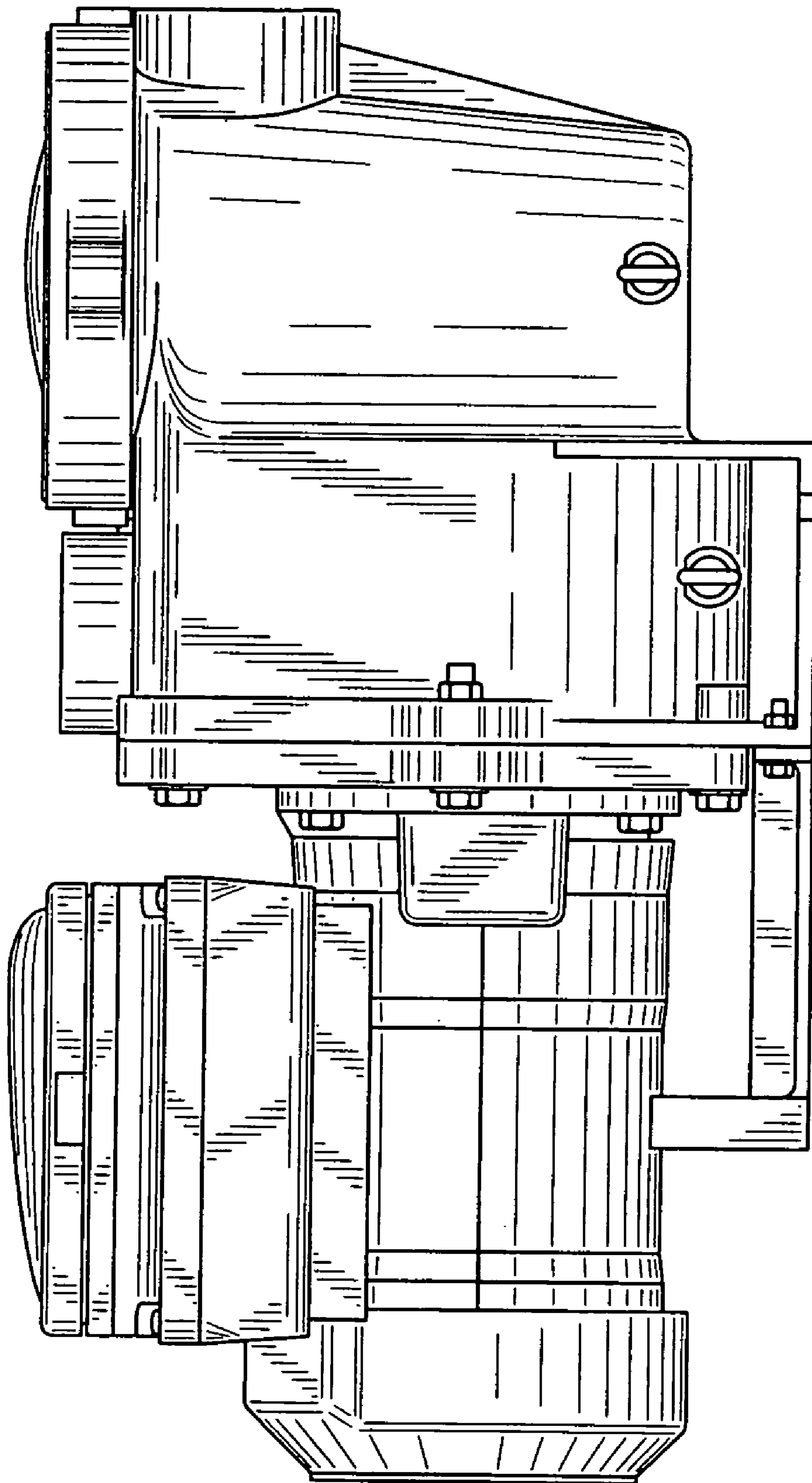


FIG. 3

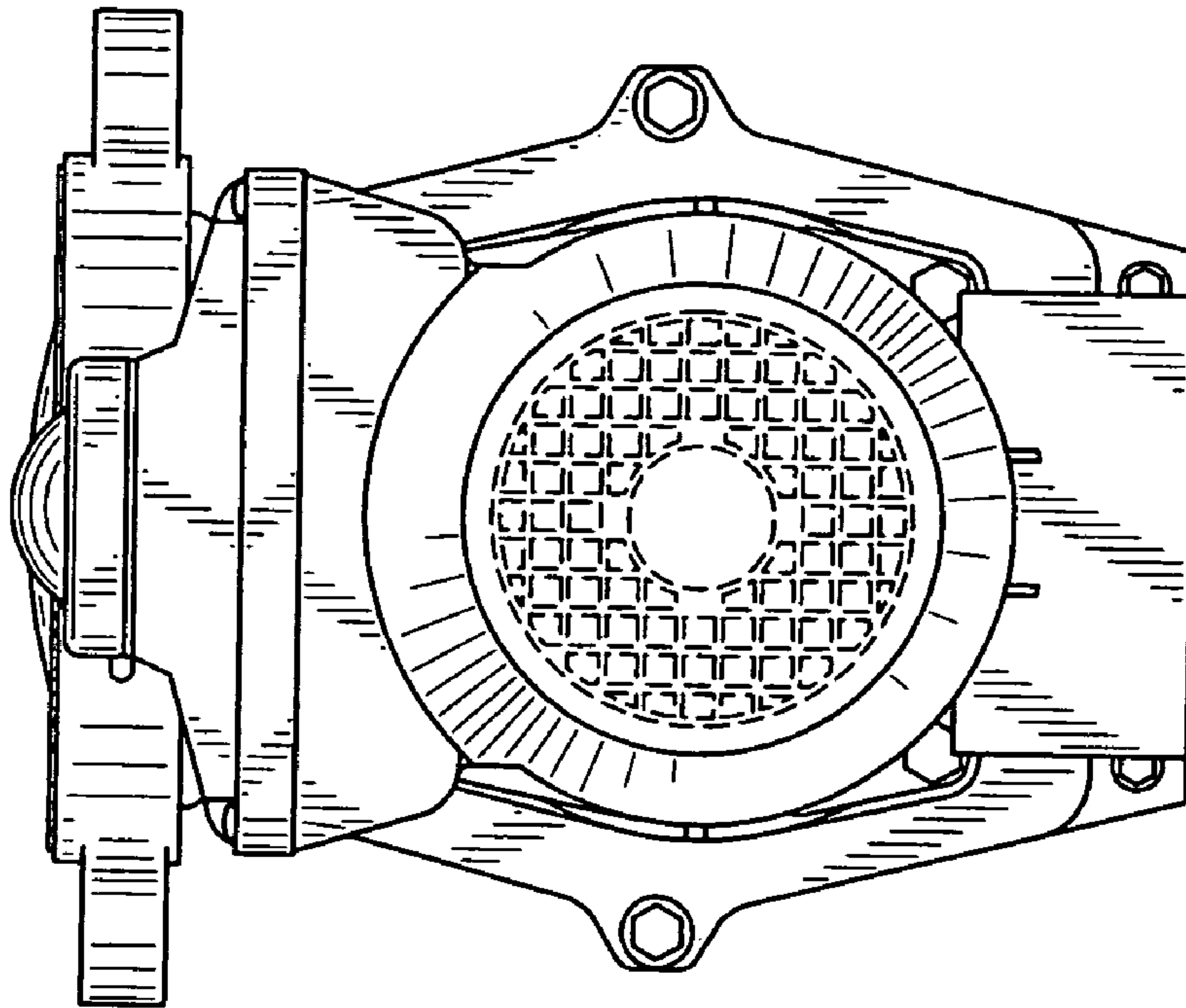


FIG. 5

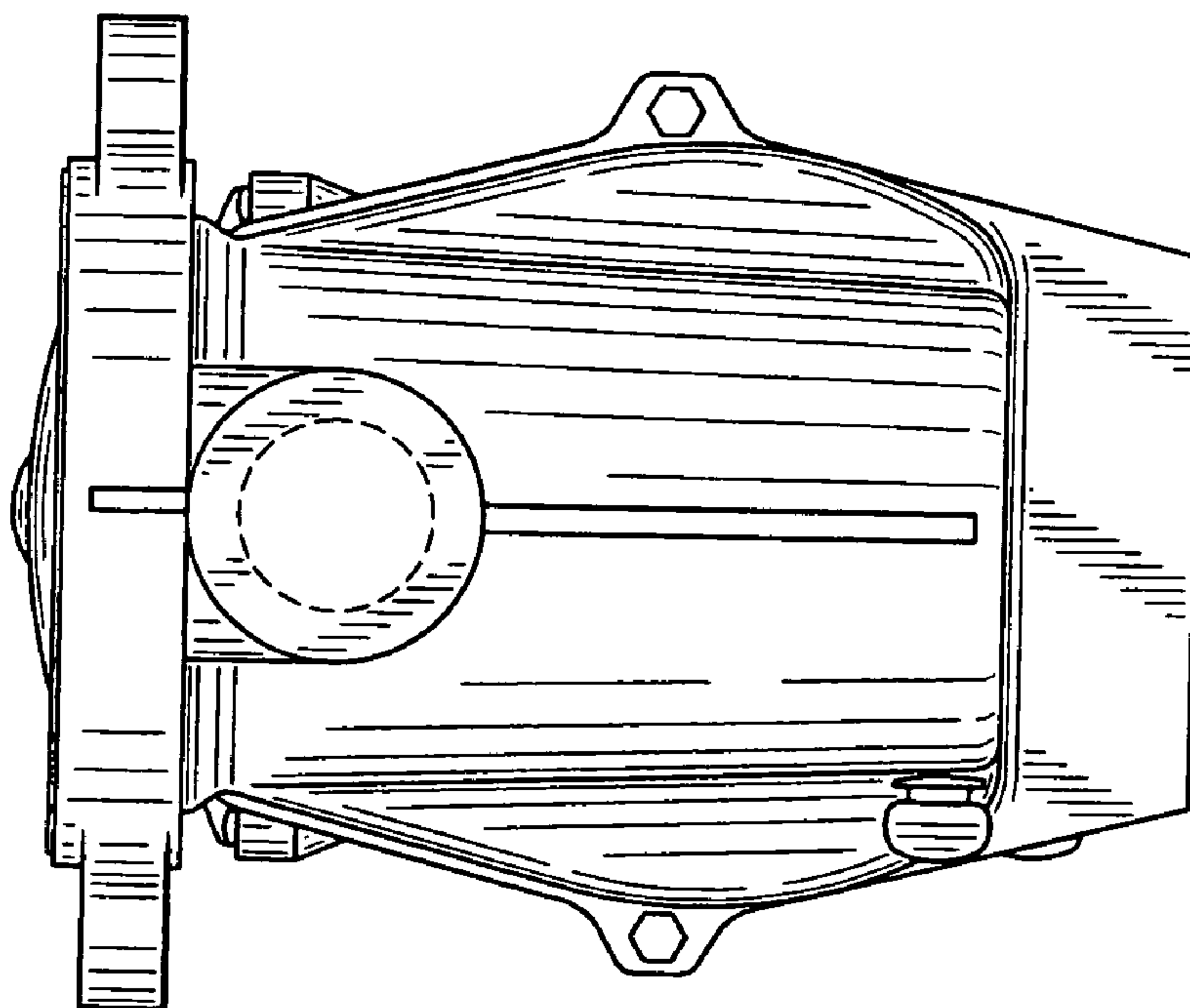


FIG. 4

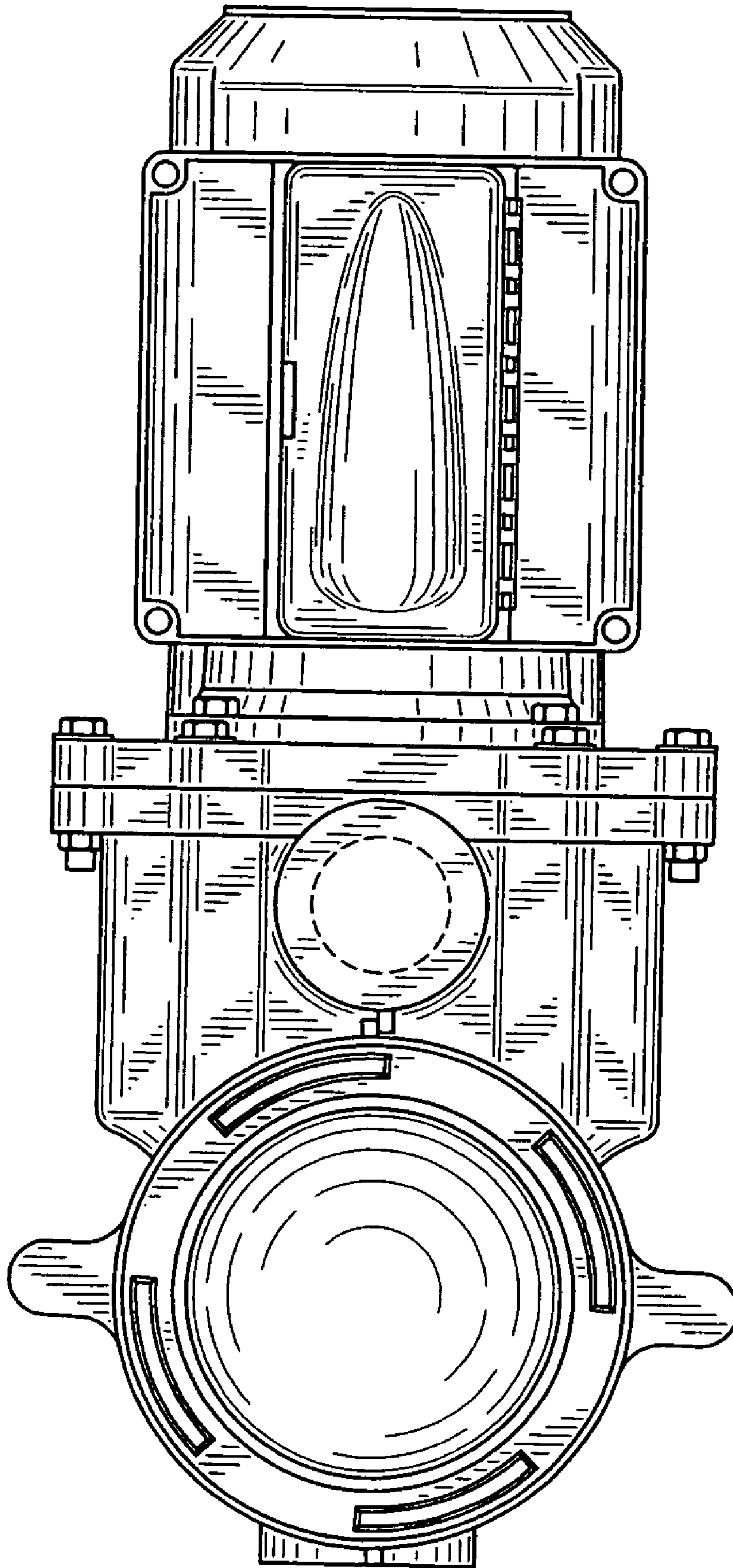


FIG. 6