



US00D568327S

(12) **United States Design Patent** (10) **Patent No.:** **US D568,327 S**  
**Fitch et al.** (45) **Date of Patent:** **\*\* May 6, 2008**

(54) **OPTICAL READING DEVICE STAND**

(75) Inventors: **Timothy Robert Fitch**, Syracuse, NY (US); **Melvin Douglas McCall**, Homer, NY (US)

(73) Assignee: **Hand Held Products, Inc.**, Skaneateles Falls, NY (US)

(\*\*) Term: **14 Years**

(21) Appl. No.: **29/264,832**

(22) Filed: **Aug. 18, 2006**

(51) **LOC (8) Cl.** ..... **14-02**

(52) **U.S. Cl.** ..... **D14/453; D14/434**

(58) **Field of Classification Search** ..... D14/453, D14/420, 434, 426-431; 235/462.01, 462.43, 235/462.45, 462.46, 462.47, 486, 462.27, 235/472.01; 358/473, 474; 248/309.1, 300, 248/304, 311.2, 139, 678; 206/305; 220/476, 220/480; D13/108, 107, 184, 199; 320/114, 320/115, 123, 127; 361/686-683; 379/455; 382/313, 321, 325; 200/6 R; D21/333; 273/148 B; 455/561, 572, 573  
See application file for complete search history.

(56) **References Cited**

**U.S. PATENT DOCUMENTS**

D388,075 S \* 12/1997 Bayer et al. .... D14/420  
6,053,413 A \* 4/2000 Swift et al. .... 235/472.01  
D427,200 S \* 6/2000 Schmidt et al. .... D14/453  
D427,605 S \* 7/2000 Schmidt et al. .... D14/453  
6,216,951 B1 \* 4/2001 Swift et al. .... 235/462.45  
6,216,953 B1 \* 4/2001 Kumagai et al. .... 235/472.01

7,222,794 B2 \* 5/2007 Kumagai et al. .... 235/462.43  
7,296,751 B2 \* 11/2007 Barber et al. .... 235/462.43  
2004/0149829 A1 \* 8/2004 Boucher et al. .... 235/462.43

\* cited by examiner

*Primary Examiner*—Melanie Tung

*Assistant Examiner*—Susan Moon Lee

(74) *Attorney, Agent, or Firm*—Richard A. Romanchik

(57) **CLAIM**

The ornamental design for an optical reading device stand, as shown and described.

**DESCRIPTION**

FIG. 1 is a top, front perspective view of an optical reading device stand.

FIG. 2 is a top view of the optical reading device stand shown in FIG. 1.

FIG. 3 is a bottom view of the optical reading device stand shown in FIG. 1.

FIG. 4 is a first side view of the optical reading device stand shown in FIG. 1, the opposite side view being a mirror image thereof.

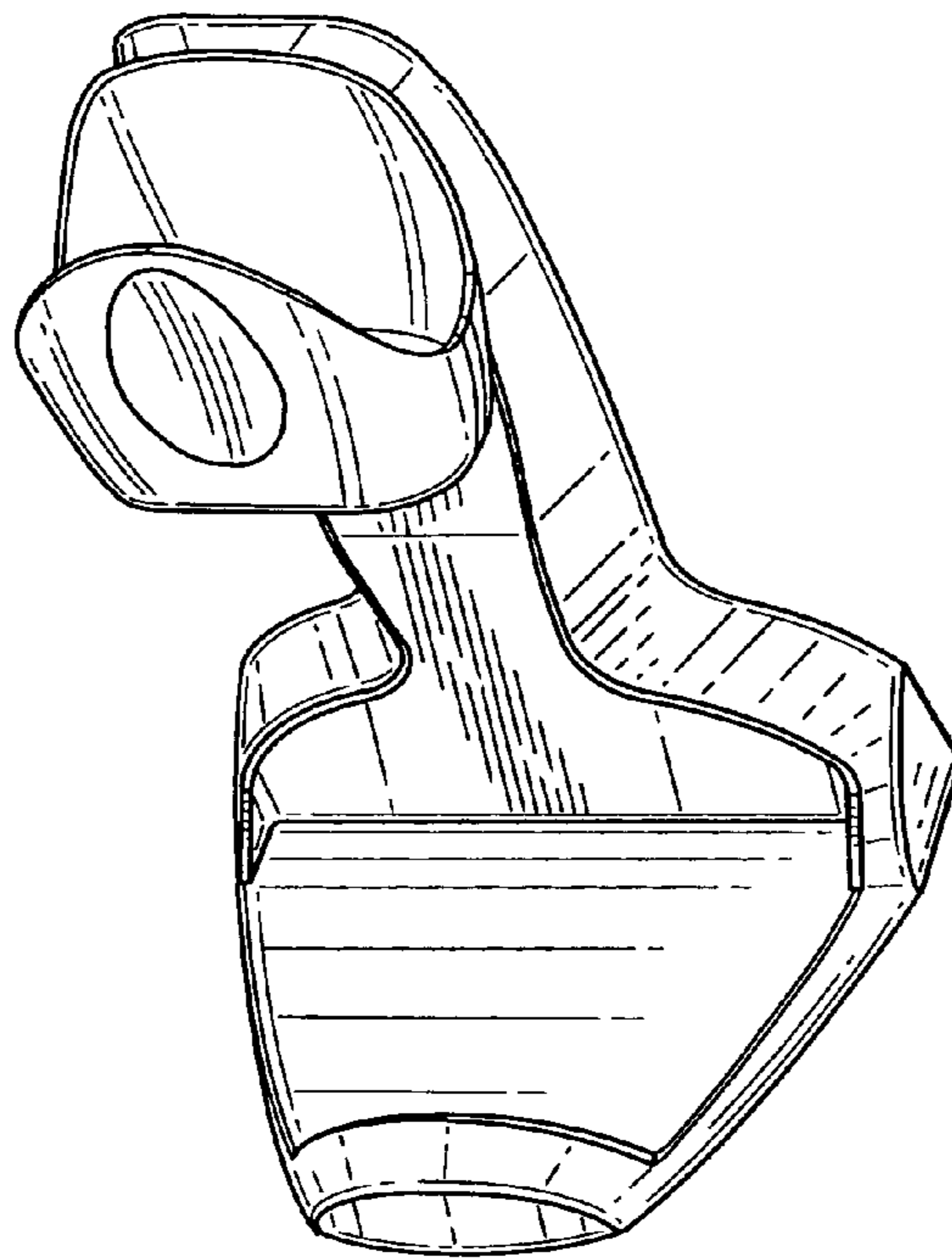
FIG. 5 is a front view of the optical reading device stand shown in FIG. 1.

FIG. 6 is a rear view of the optical reading device stand shown in FIG. 1; and,

FIG. 7 is a bottom, rear perspective view of the optical reading device stand shown in FIG. 1.

The portions shown in broken line are for illustrative purposes only and form no part of the claimed design.

**1 Claim, 3 Drawing Sheets**



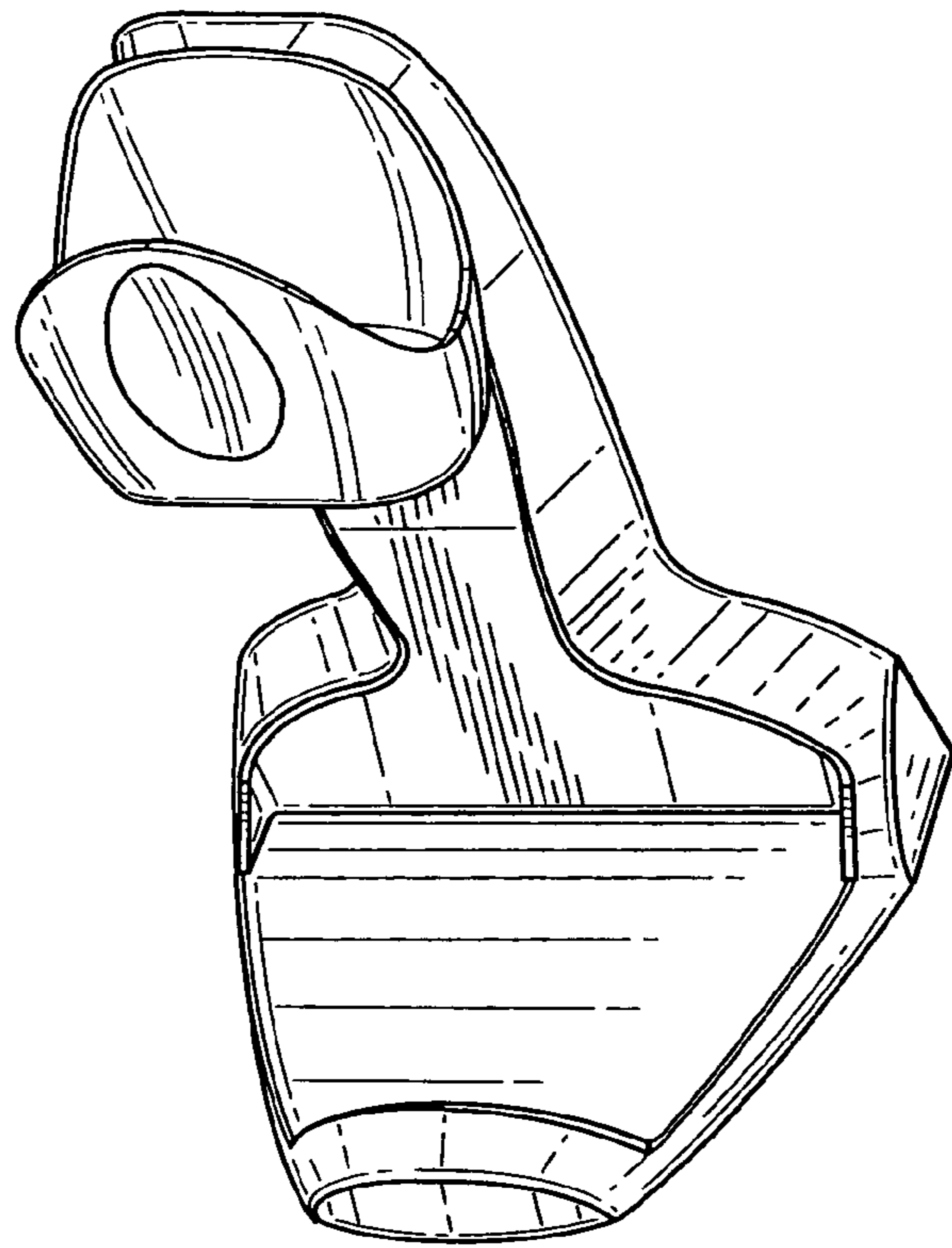


FIG. 1

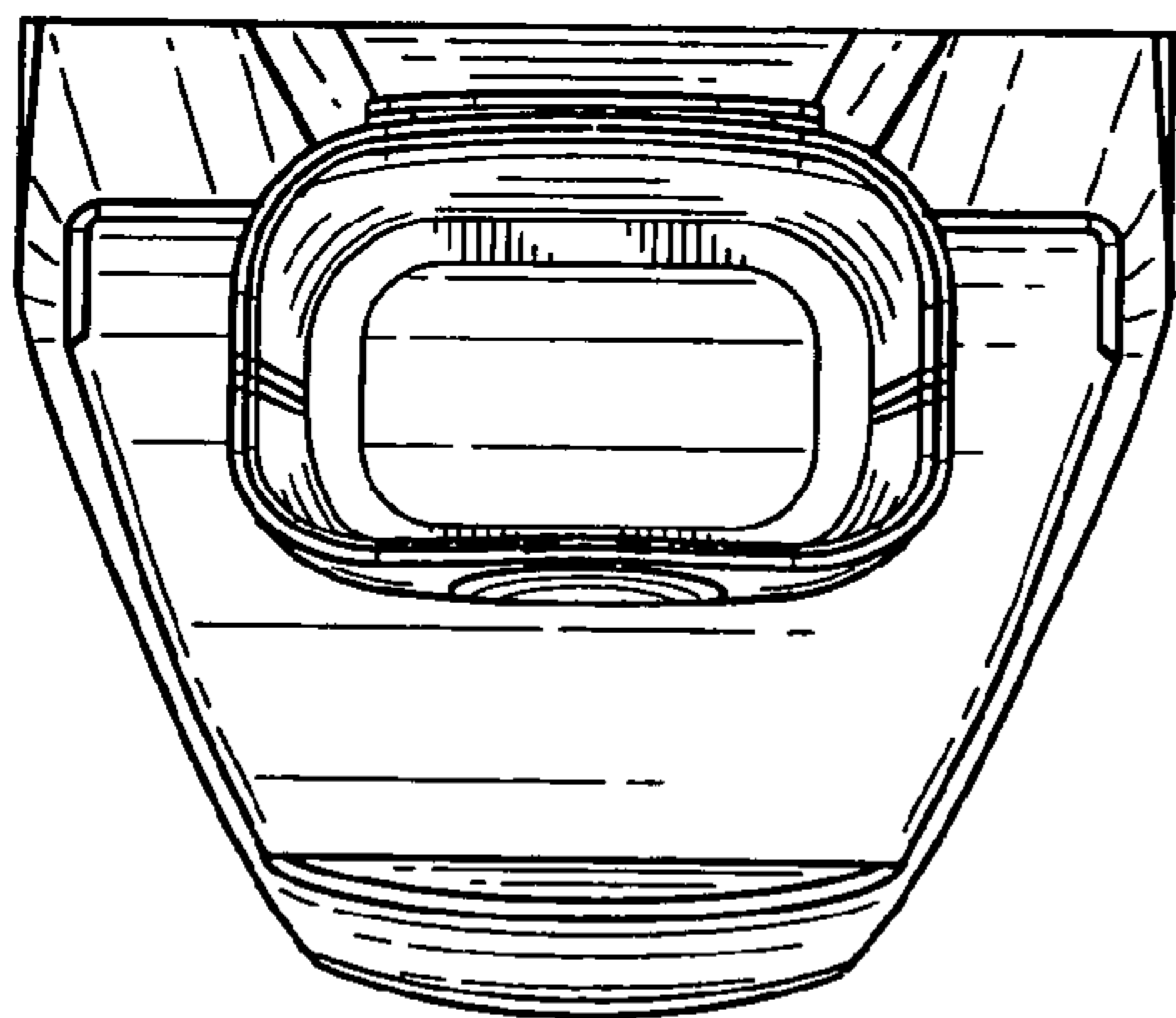


FIG. 2

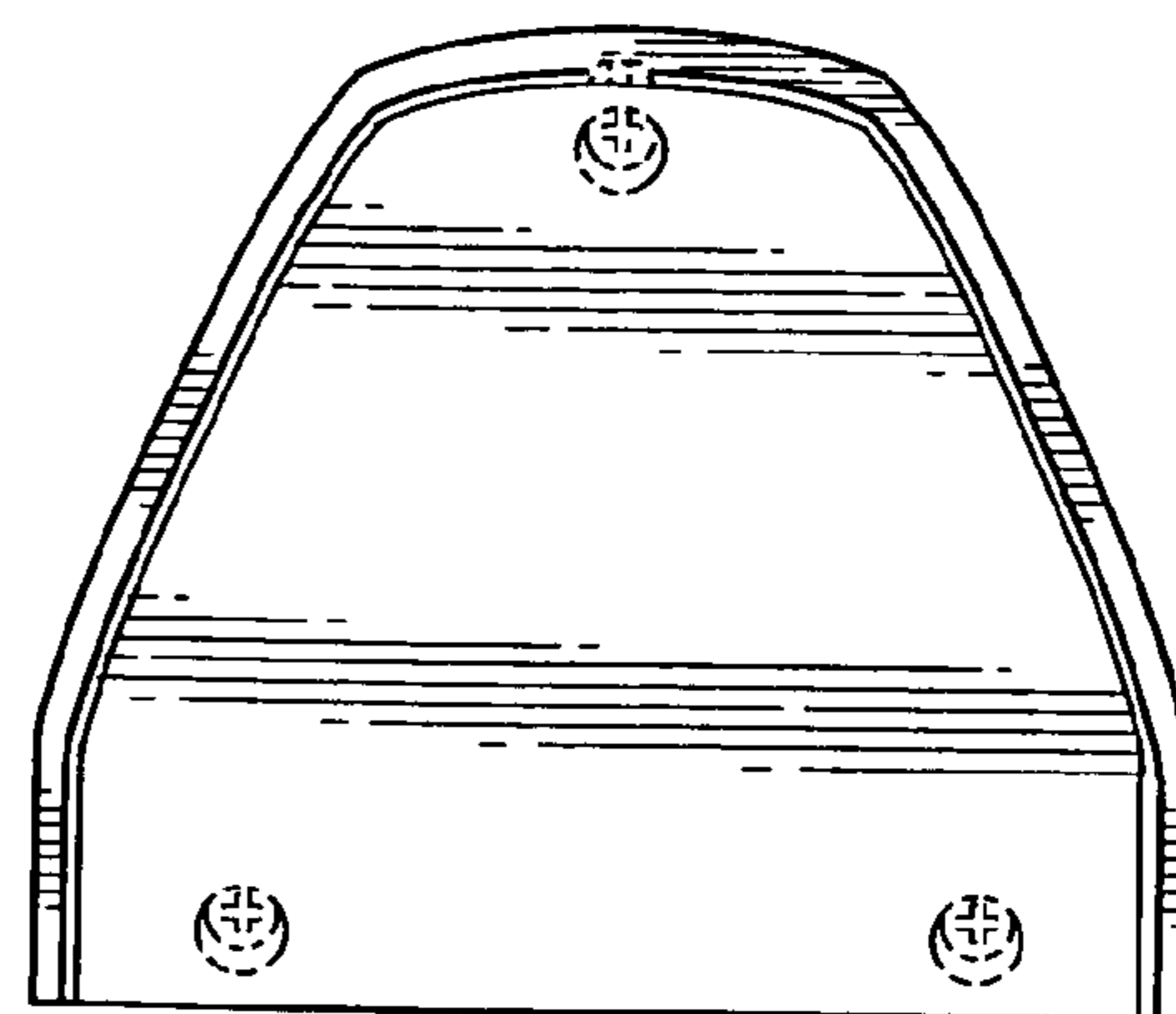


FIG. 3

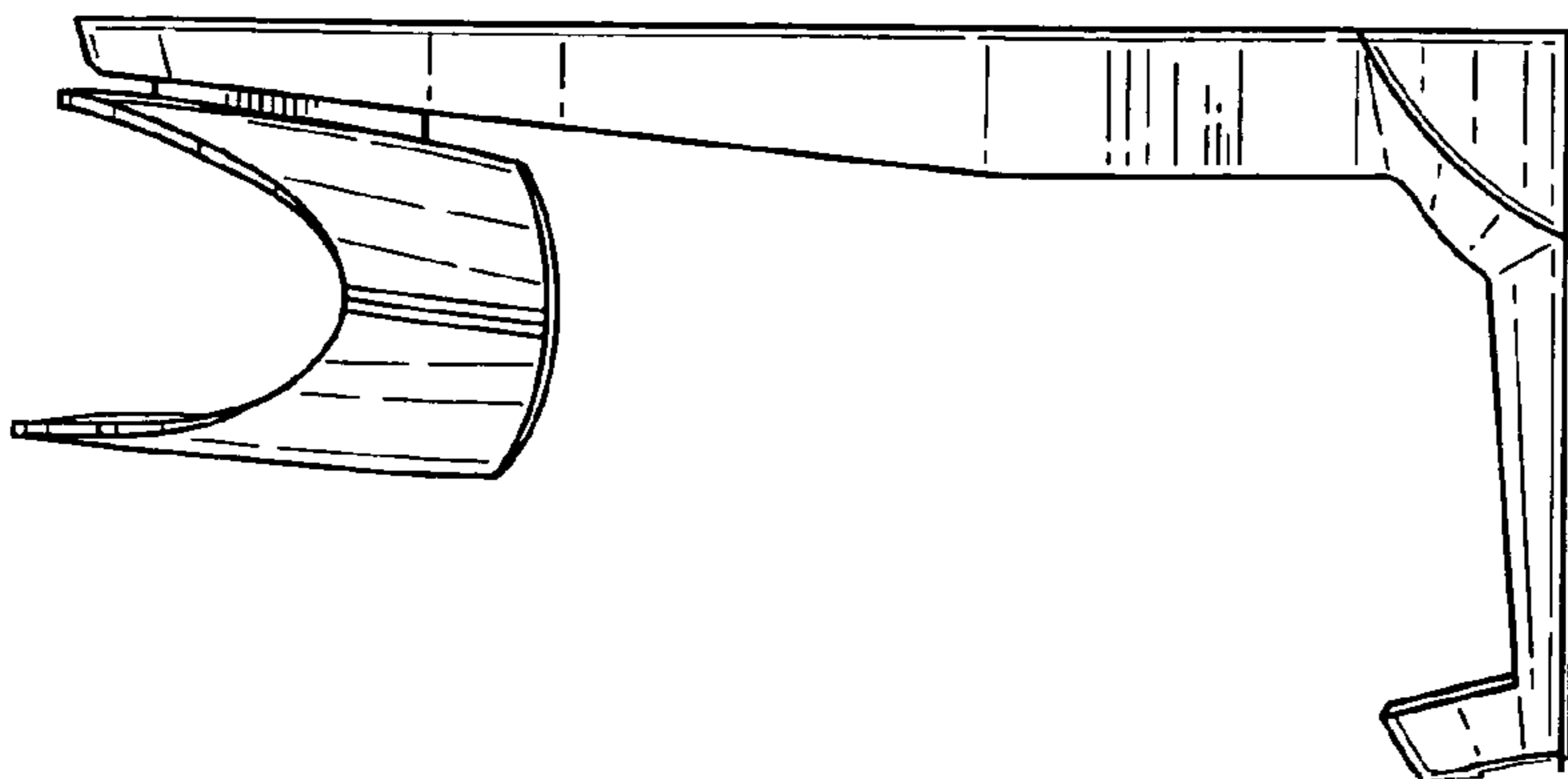


FIG. 4

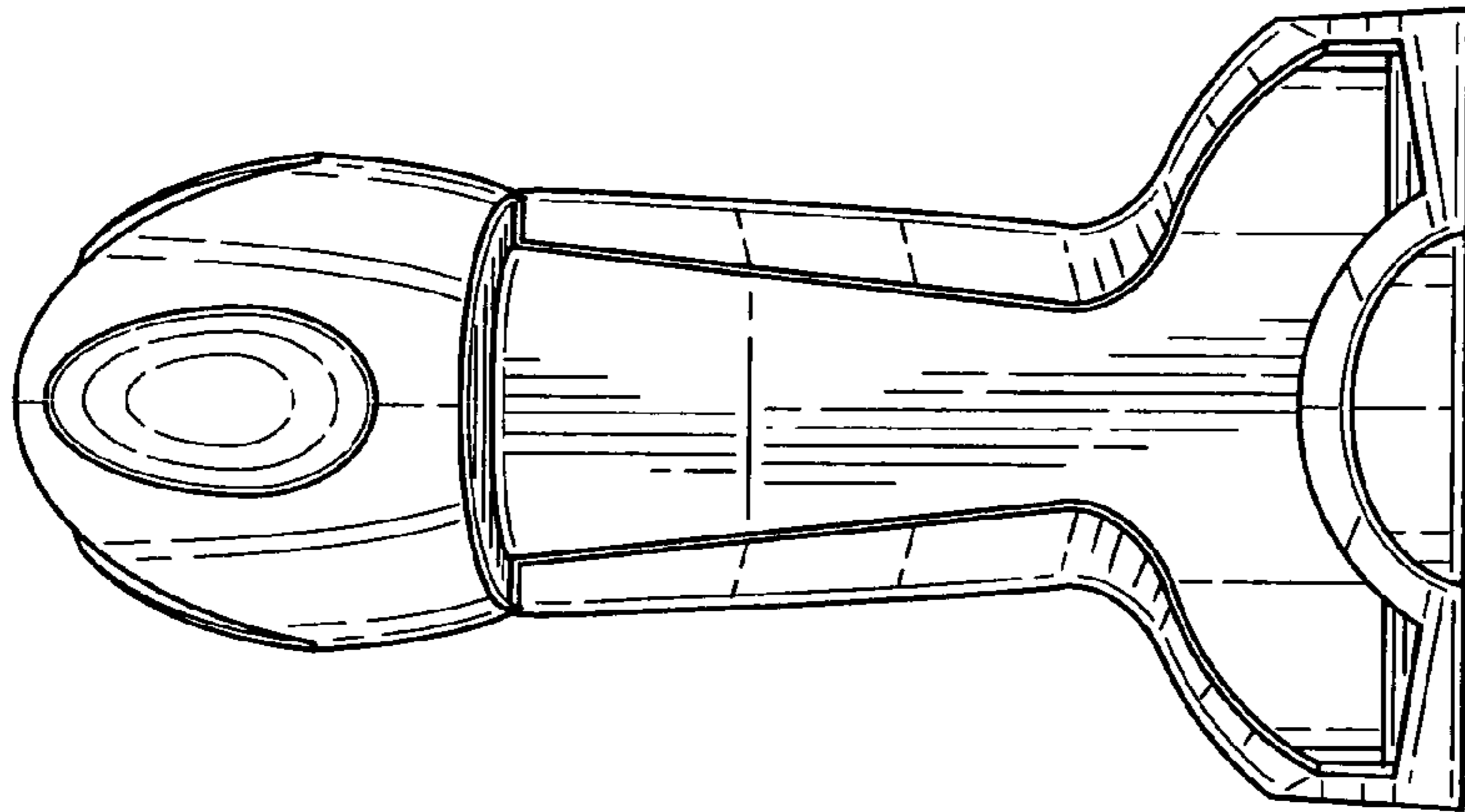


FIG. 5

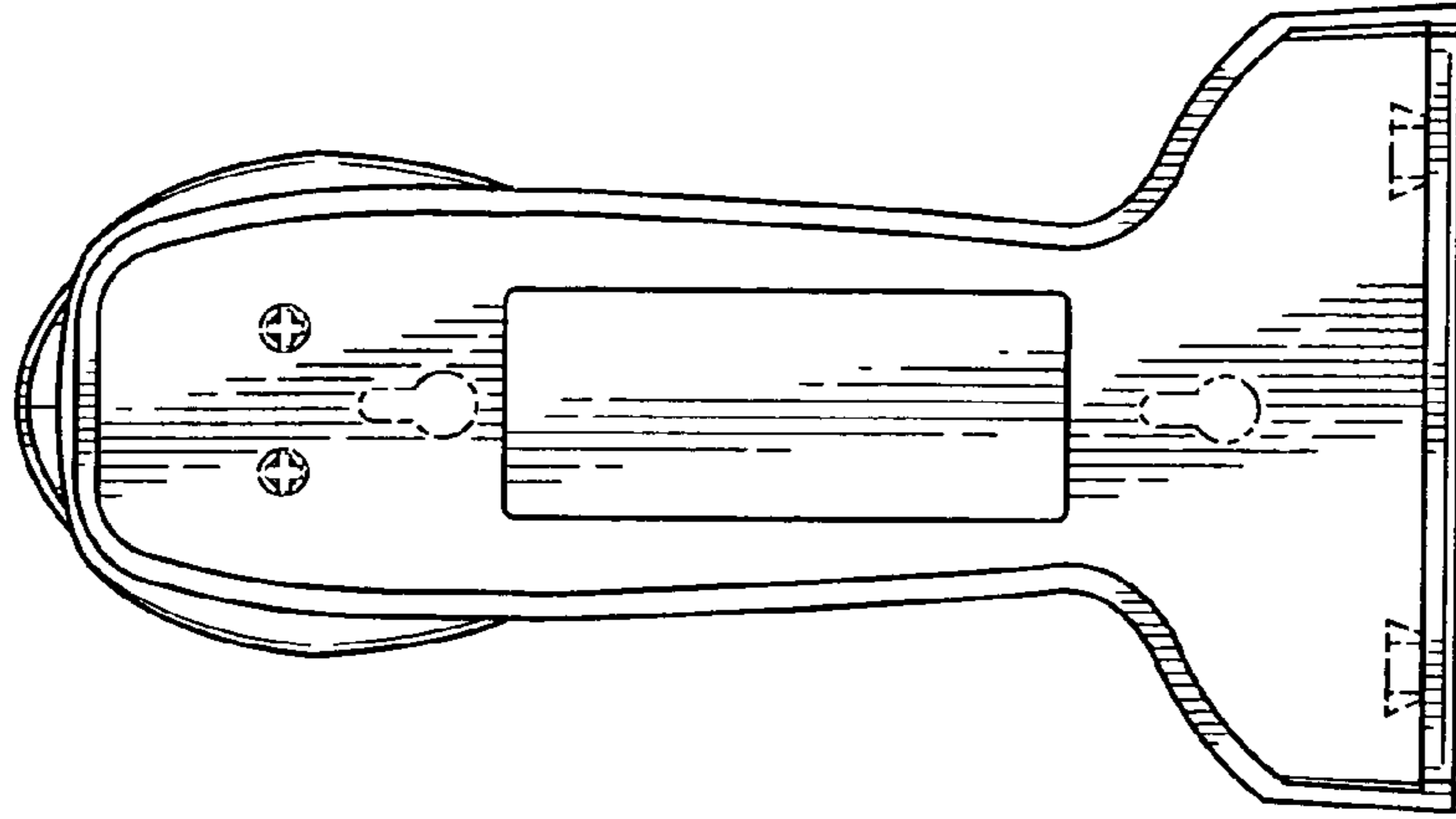


FIG. 6

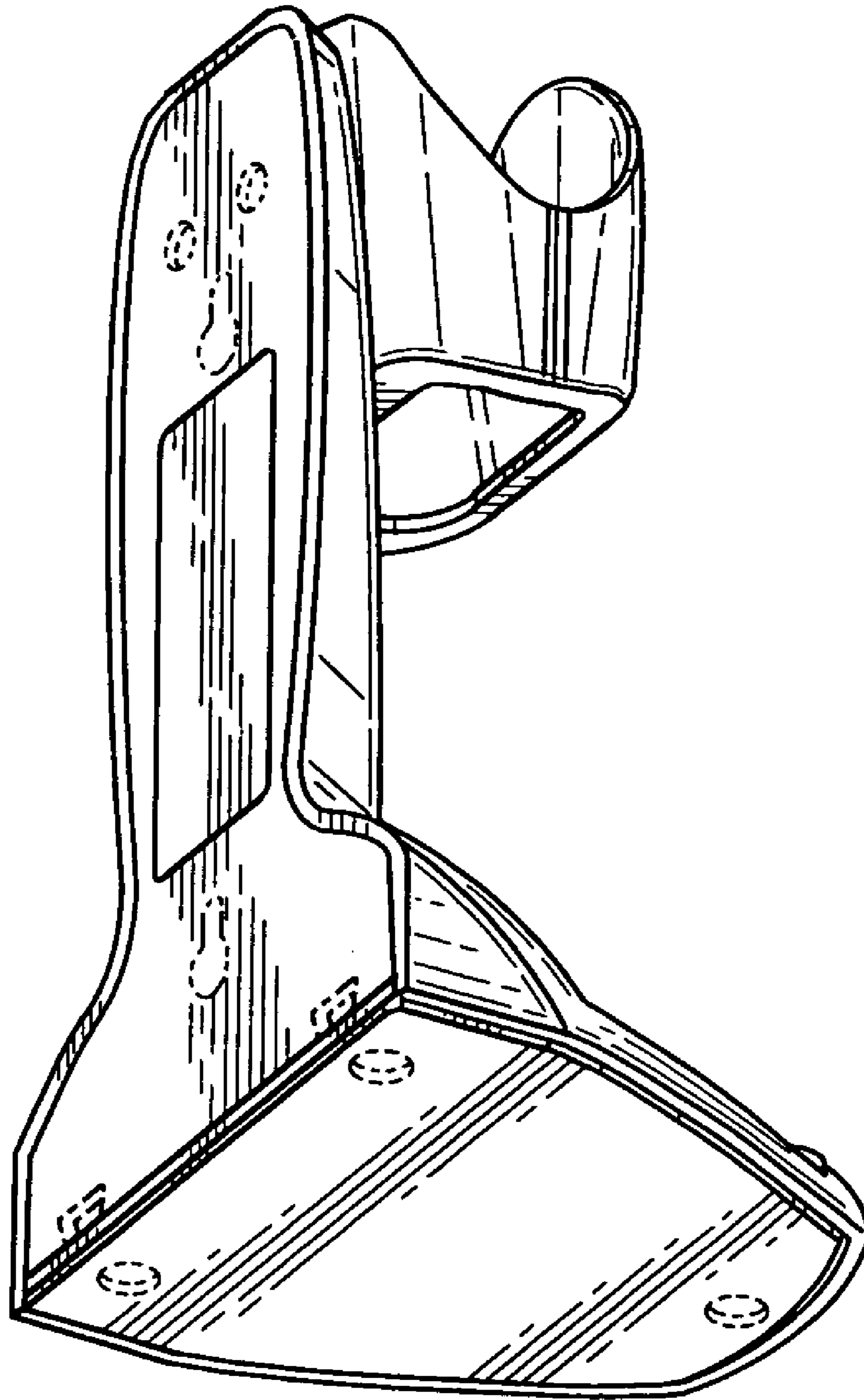


FIG. 7