



US00D568325S

(12) **United States Design Patent**
Muday et al.

(10) **Patent No.:** **US D568,325 S**
(45) **Date of Patent:** **** May 6, 2008**

(54) **CANTILEVERED DESKTOP MOUNT FOR
FLAT PANEL DISPLAYS**

(75) Inventors: **Tom Muday**, Scottsdale, AZ (US);
Brett Stenhouse, Phoenix, AZ (US);
Zachary Eyman, Phoenix, AZ (US);
Keith Charvonia, Cave Creek, AZ
(US)

(73) Assignee: **Omnimount Systems, Inc.**, Phoenix,
AZ (US)

(**) Term: **14 Years**

(21) Appl. No.: **29/265,558**

(22) Filed: **Aug. 31, 2006**

(51) **LOC (8) Cl.** **14-03**

(52) **U.S. Cl.** **D14/452**

(58) **Field of Classification Search** D14/451,
D14/452, 129, 209, 217, 224, 237, 238, 239,
D14/432, 439, 447, 448; D8/349, 354, 355,
D8/363, 373, 380; 248/176.1, 201, 205.1,
248/220.21, 223.31, 231.9, 274.1, 276.1,
248/281.11, 284.1, 286.1, 309.1, 316.1, 323,
248/324, 349.1, 371, 398, 425, 917, 918,
248/919, 920, 921, 922, 923, 924, 121, 124.1,
248/127, 291.1, 313; 348/825, 827
See application file for complete search history.

(56) **References Cited**

U.S. PATENT DOCUMENTS

D460,078 S * 7/2002 Li D14/452
6,672,553 B1 * 1/2004 Lin 248/276.1

D503,719 S * 4/2005 Lin D14/452
D522,009 S * 5/2006 Chen D14/452
D529,033 S * 9/2006 Hung D14/452
7,195,215 B2 * 3/2007 Lin 248/125.9
D543,210 S * 5/2007 Stenhouse et al. D14/452
7,264,212 B2 * 9/2007 Hung 248/282.1
D553,135 S * 10/2007 Muday et al. D14/452
D557,125 S * 12/2007 Worrall et al. D8/380
2004/0262474 A1 * 12/2004 Boks et al. 248/276.1
2006/0157627 A1 * 7/2006 Hung 248/276.1

* cited by examiner

Primary Examiner—Cathron Brooks

Assistant Examiner—Angela J Lee

(74) *Attorney, Agent, or Firm*—Hogan & Hartson LLP

(57) **CLAIM**

The ornamental design for a cantilevered desktop mount for flat panel displays.

DESCRIPTION

FIG. 1 is a top, left isometric view of a cantilevered desktop mount for flat panel displays showing our design in a vertical configuration.

FIG. 2 is a rear elevational view thereof.

FIG. 3 is a front elevational view thereof.

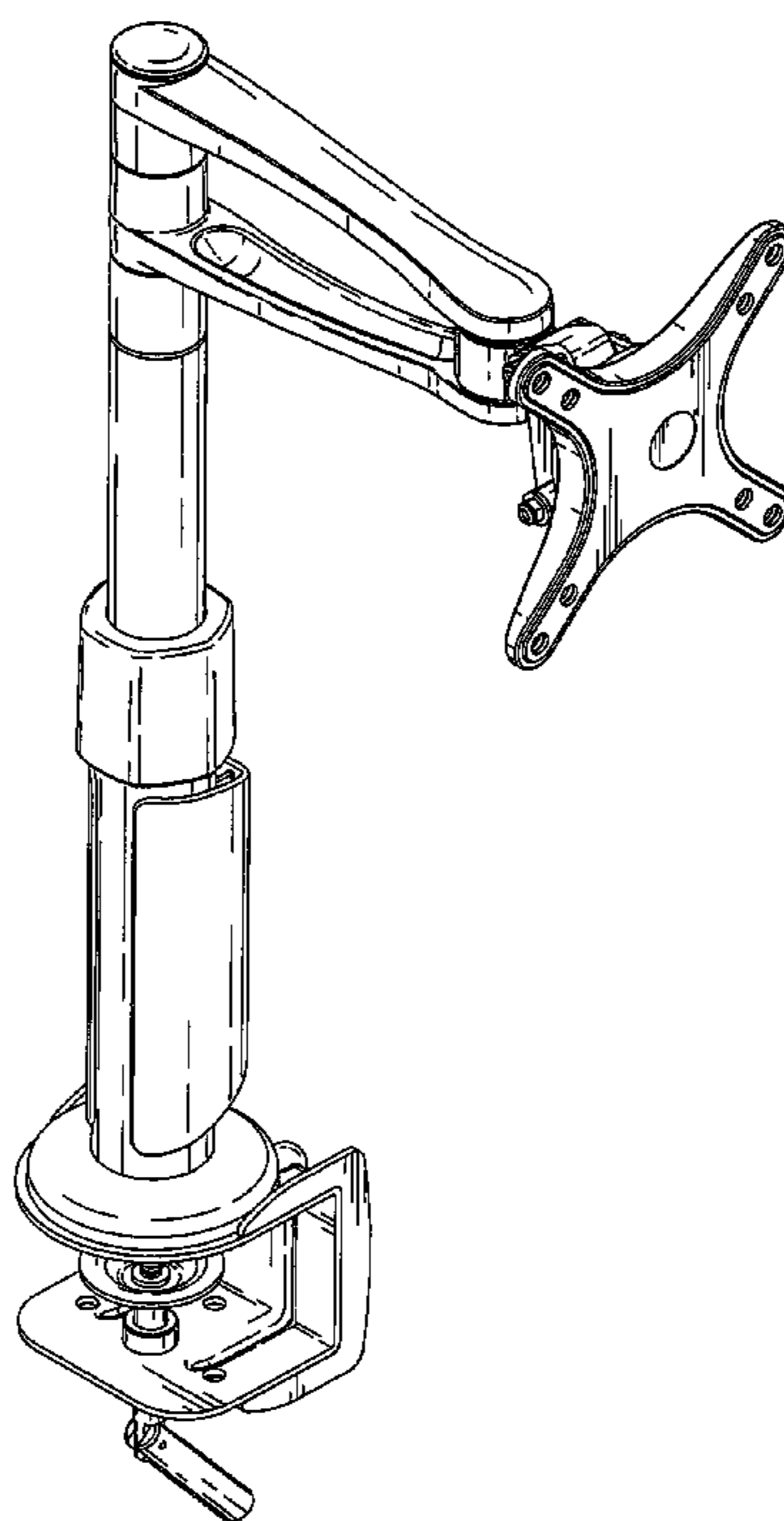
FIG. 4 is a left-side elevational view thereof.

FIG. 5 is a right-side elevational view thereof.

FIG. 6 is a top plan view thereof; and,

FIG. 7 is a bottom plan view thereof.

1 Claim, 5 Drawing Sheets



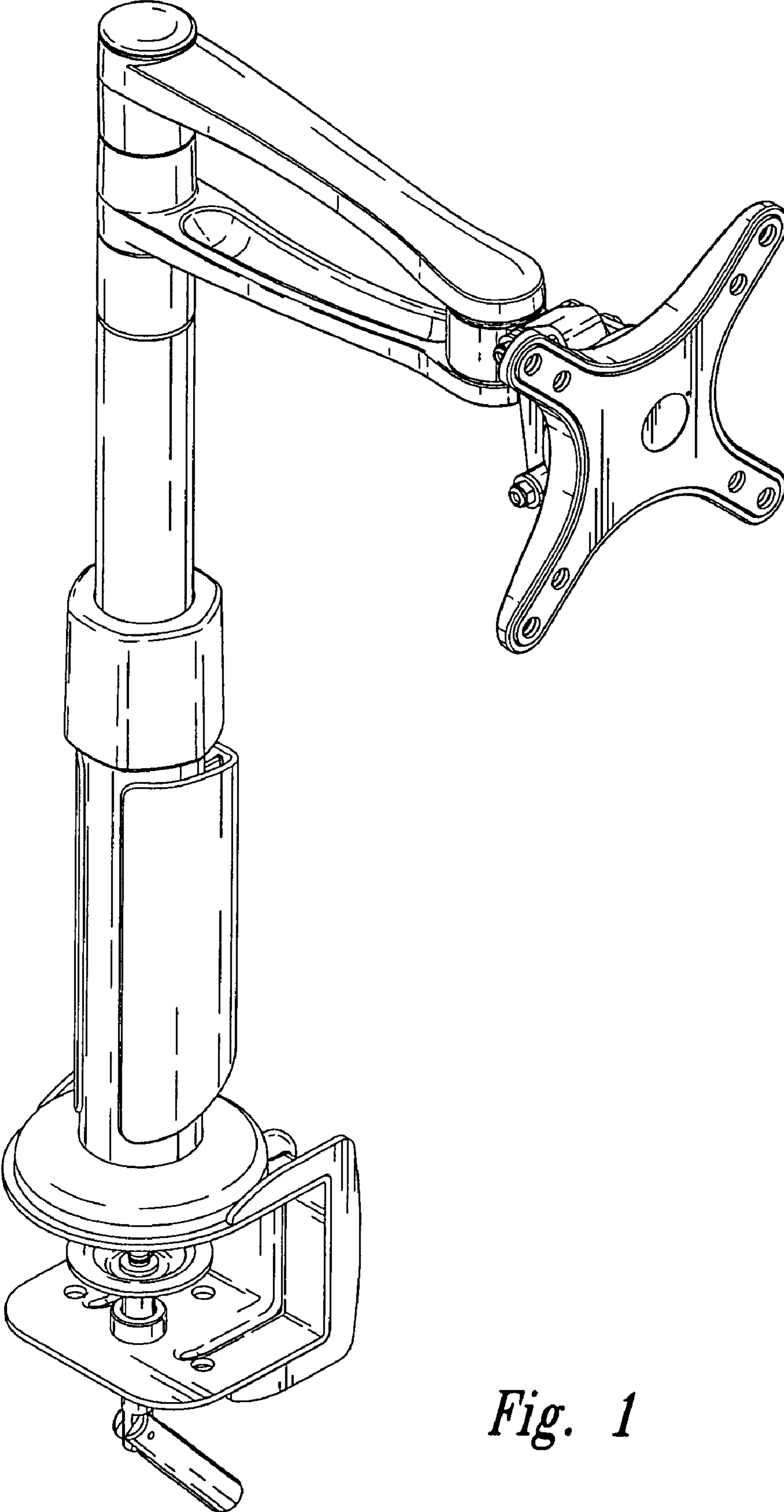


Fig. 1

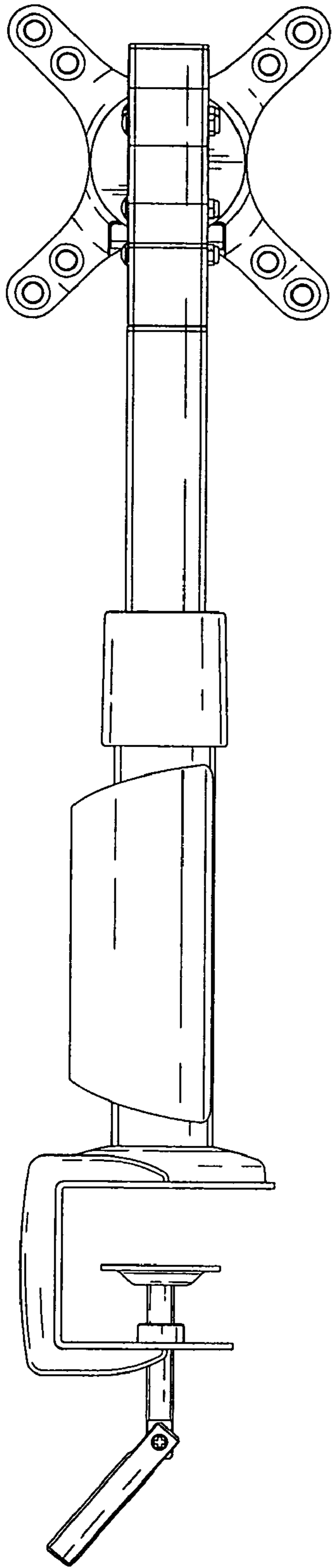


Fig. 2

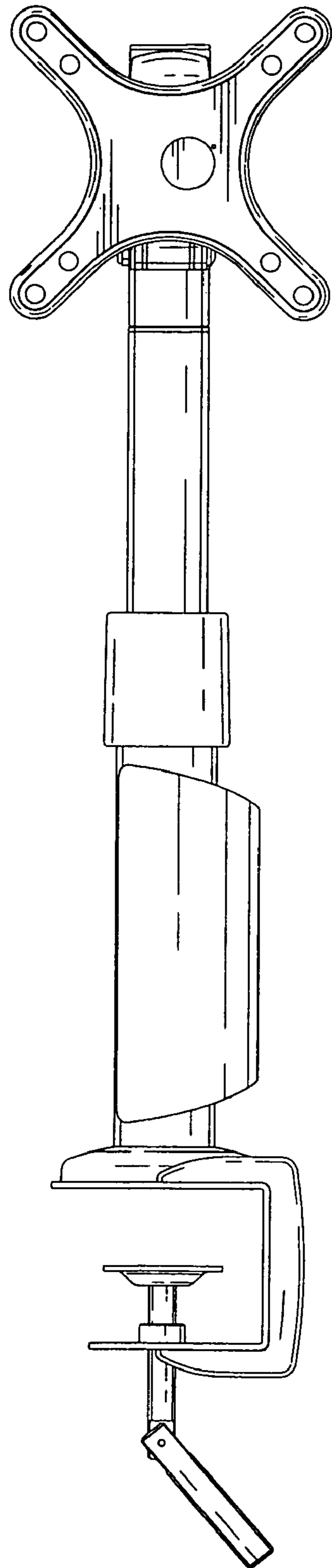


Fig. 3

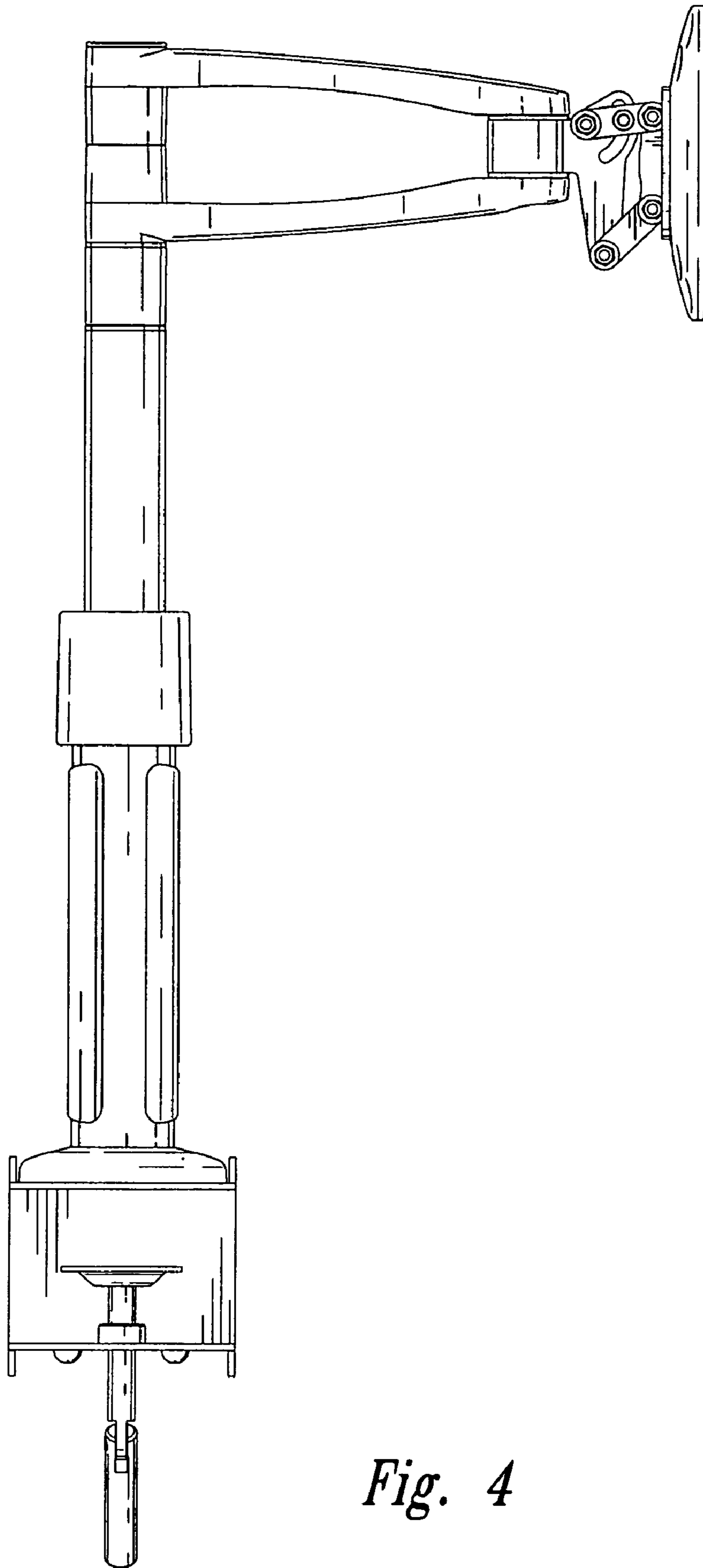


Fig. 4

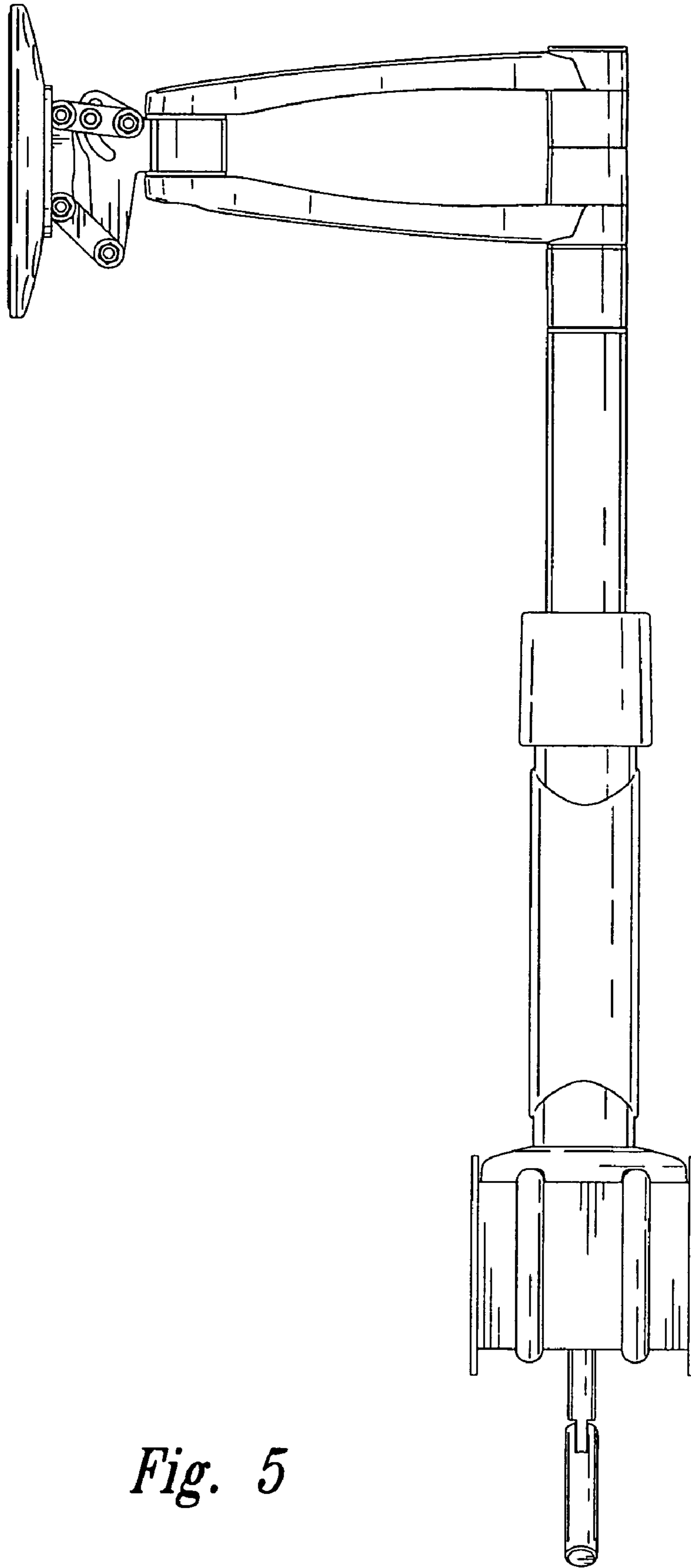


Fig. 5

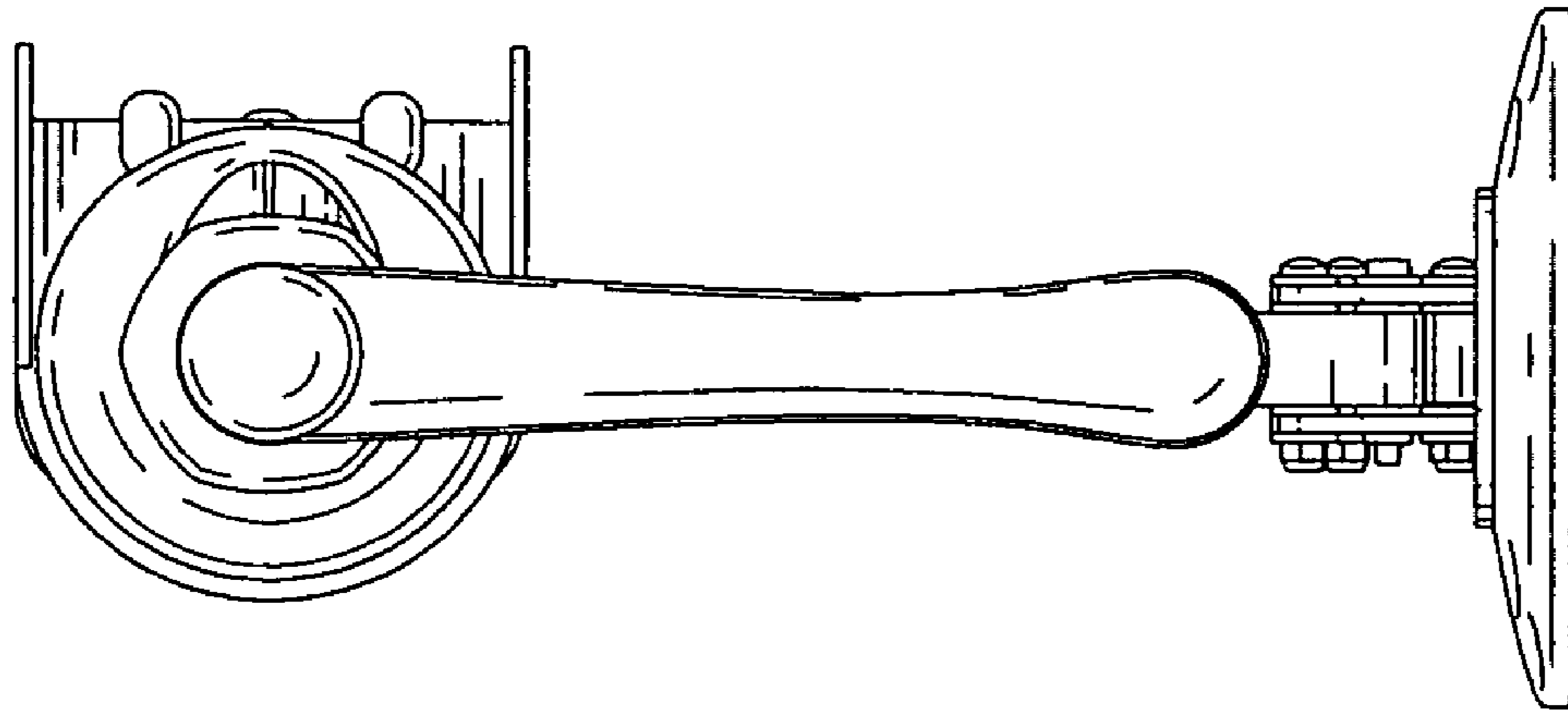


Fig. 6

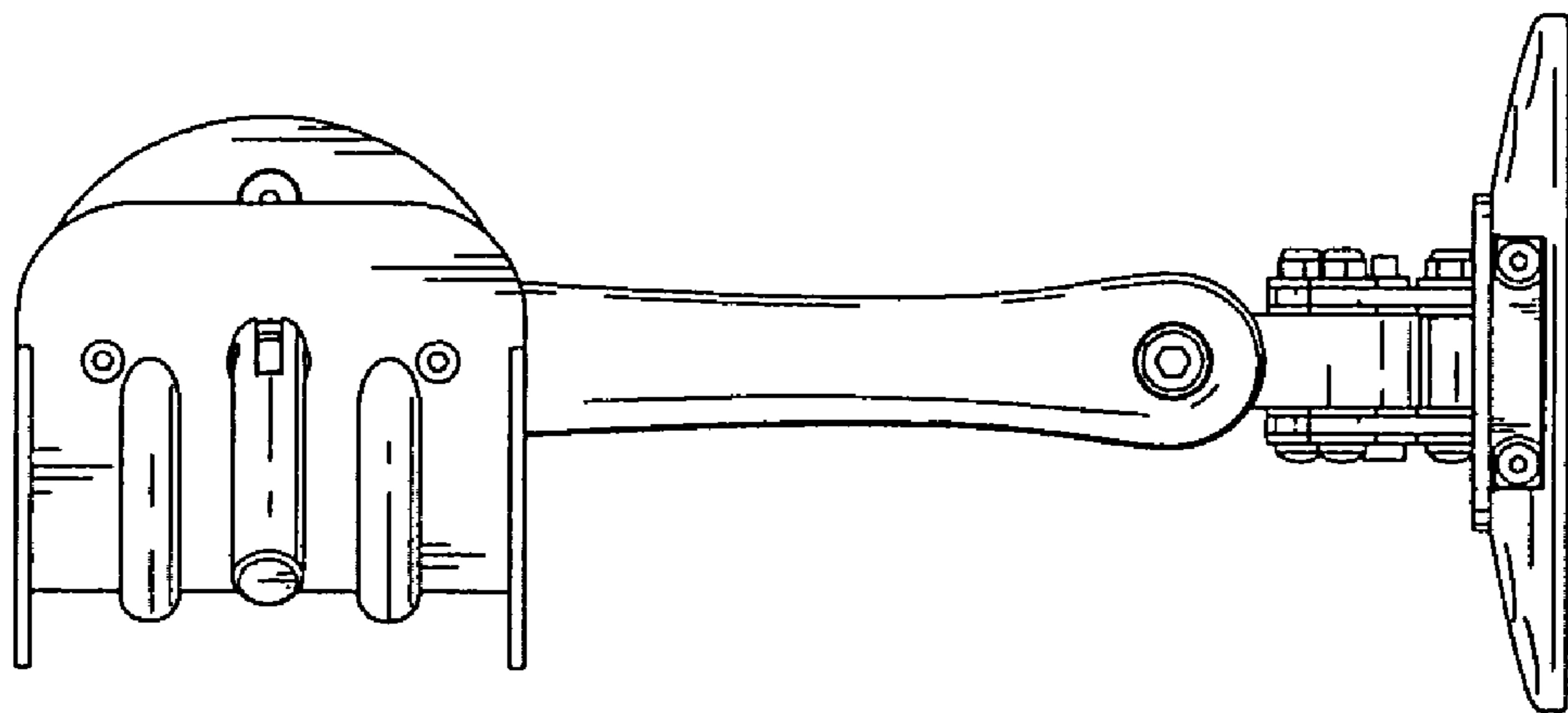


Fig. 7