

US00D568323S

(12) **United States Design Patent** (10) **Patent No.:** **US D568,323 S**  
**Gillespie et al.** (45) **Date of Patent:** **\*\* May 6, 2008**

(54) **FLOOR AND CEILING MOUNT**

(75) Inventors: **John Michael Gillespie**, Green Oaks, IL (US); **Donald Lee Anderson**, Oak Park, IL (US)

(73) Assignee: **Peerless Industries, Inc.**, Melrose Park, IL (US)

(\*\*) Term: **14 Years**

(21) Appl. No.: **29/263,423**

(22) Filed: **Jul. 20, 2006**

(51) **LOC (8) Cl.** ..... **14-03**

(52) **U.S. Cl.** ..... **D14/451**

(58) **Field of Classification Search** ..... D14/451, D14/452, 129, 209, 217, 224, 237, 238, 239, D14/432, 439, 447, 448; D8/349, 354, 355, D8/363, 373, 380; 248/176.1, 201, 205.1, 248/220.21, 223.31, 231.9, 274.1, 276.1, 248/281.11, 284.1, 286.1, 309.1, 316.1, 323, 248/324, 349.1, 371, 398, 425, 917, 918, 248/919, 920, 921, 922, 923, 924, 121, 124.1, 248/127, 291.1, 313; 348/825, 827  
See application file for complete search history.

(56) **References Cited**

**U.S. PATENT DOCUMENTS**

D332,789 S *	1/1993	Rak	.....	D14/251
D377,897 S *	2/1997	Vogels	.....	D8/373
D426,540 S *	6/2000	Tejima	.....	D14/224
D430,570 S *	9/2000	Lee	.....	D14/451
D456,415 S *	4/2002	Deuschle	.....	D14/447
D460,078 S *	7/2002	Li	.....	D14/452
D478,088 S	8/2003	Hamouz		
D488,708 S *	4/2004	Lam et al.	.....	D8/363
D491,747 S	6/2004	Walters		
D497,538 S *	10/2004	van Groesen	.....	D8/363
D505,858 S *	6/2005	O'Keene	.....	D8/355
D506,205 S *	6/2005	Boele	.....	D14/452
2005/0035253 A1 *	2/2005	Rixom	.....	248/284.1

\* cited by examiner

*Primary Examiner*—Cathron Brooks  
*Assistant Examiner*—Angela J Lee  
(74) *Attorney, Agent, or Firm*—Foley & Lardner LLP

(57) **CLAIM**

We claim the ornamental design for a floor and ceiling mount, as shown and described.

**DESCRIPTION**

FIG. 1 is a perspective view of the floor and ceiling mount showing our new design;

FIG. 2 is a front view thereof;

FIG. 3 is a rear view thereof;

FIG. 4 is a right side view thereof;

FIG. 5 is a left side view thereof;

FIG. 6 is a top plan view thereof;

FIG. 7 is a bottom view thereof;

FIG. 8 is a perspective view of another embodiment of floor and ceiling mount showing our new design;

FIG. 9 is a front view of the floor and ceiling mount in FIG. 8;

FIG. 10 is a rear view of the floor and ceiling mount in FIG. 8;

FIG. 11 is a right side view of the floor and ceiling mount in FIG. 8;

FIG. 12 is a left side view of the floor and ceiling mount in FIG. 8;

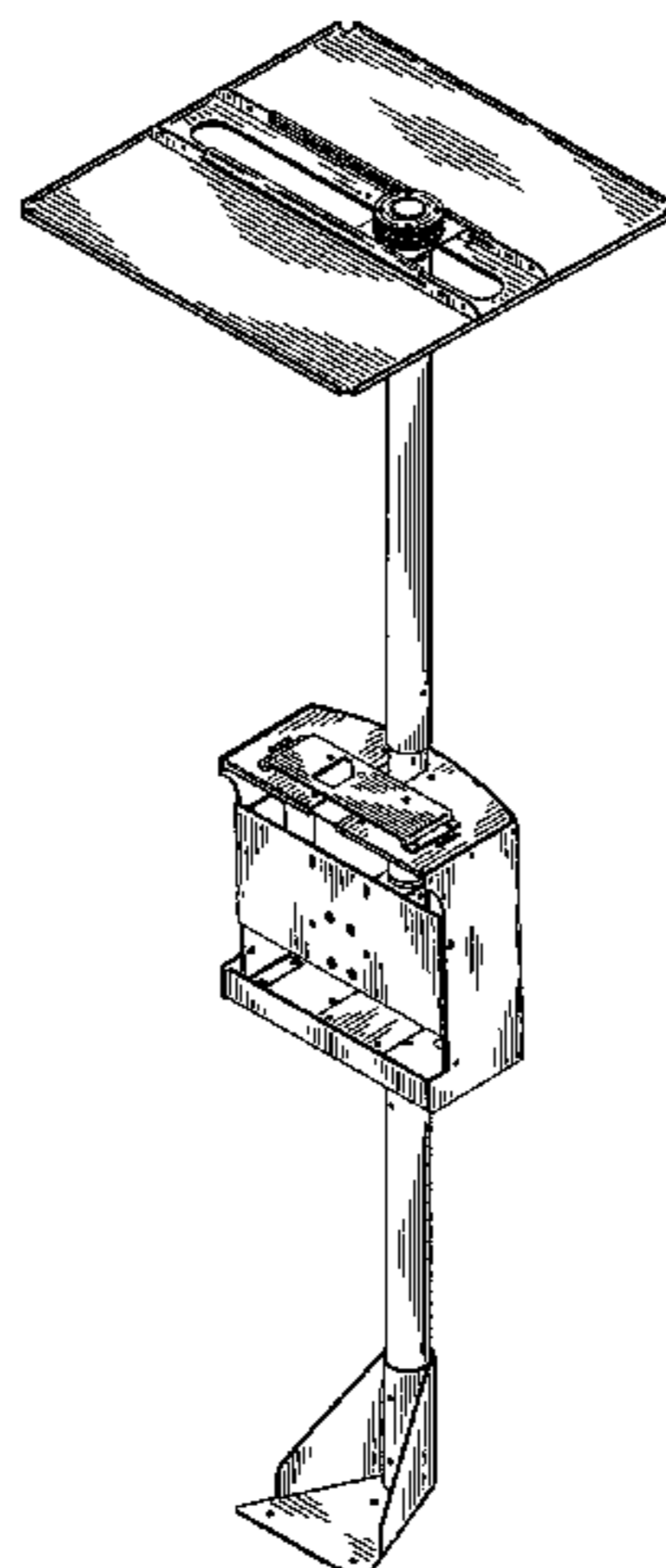
FIG. 13 is a top plan view of the floor and ceiling mount in FIG. 8; and,

FIG. 14 is a bottom view of the floor and ceiling mount in FIG. 8.

The broken lines shown are for illustrative purposes only and form no part of the claimed design.

The broken line showing of portions of the floor and ceiling mount in FIGS. 8–14 forms no part of the claimed design.

**1 Claim, 10 Drawing Sheets**



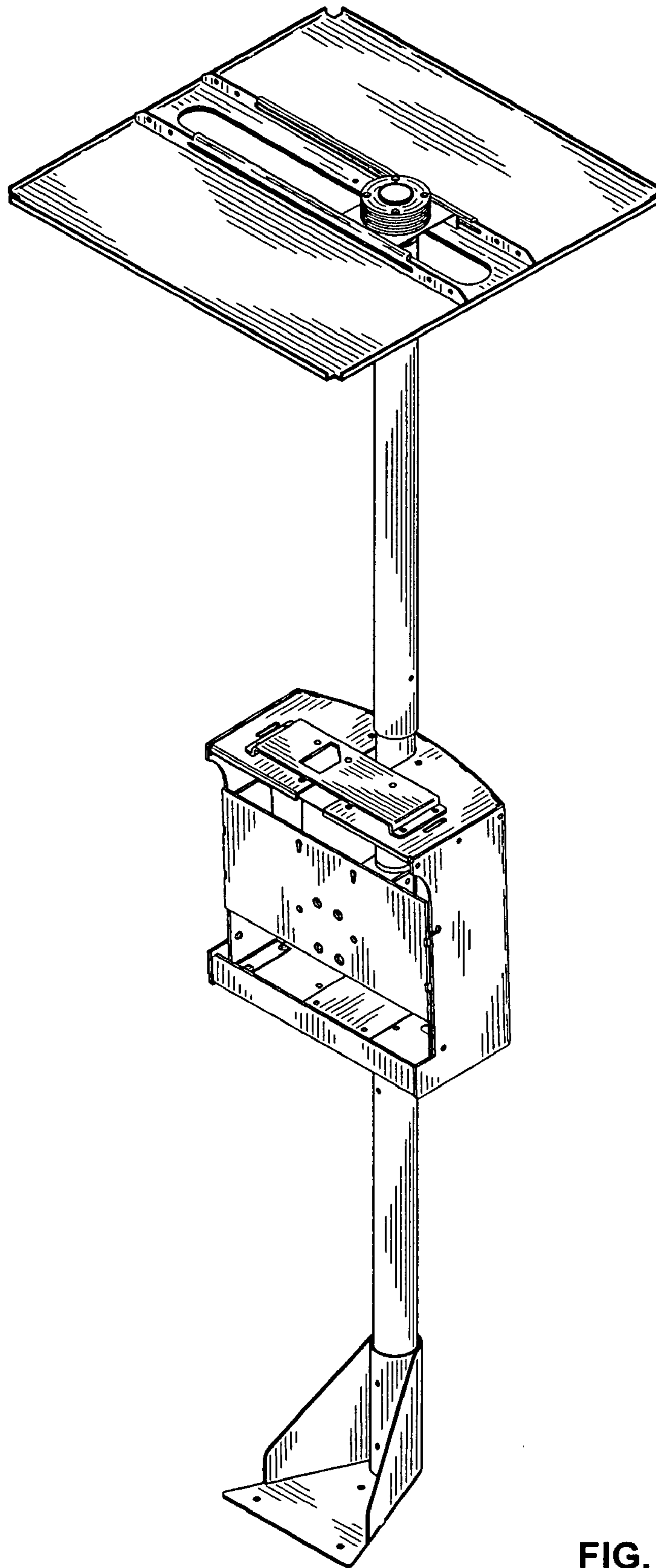


FIG. 1

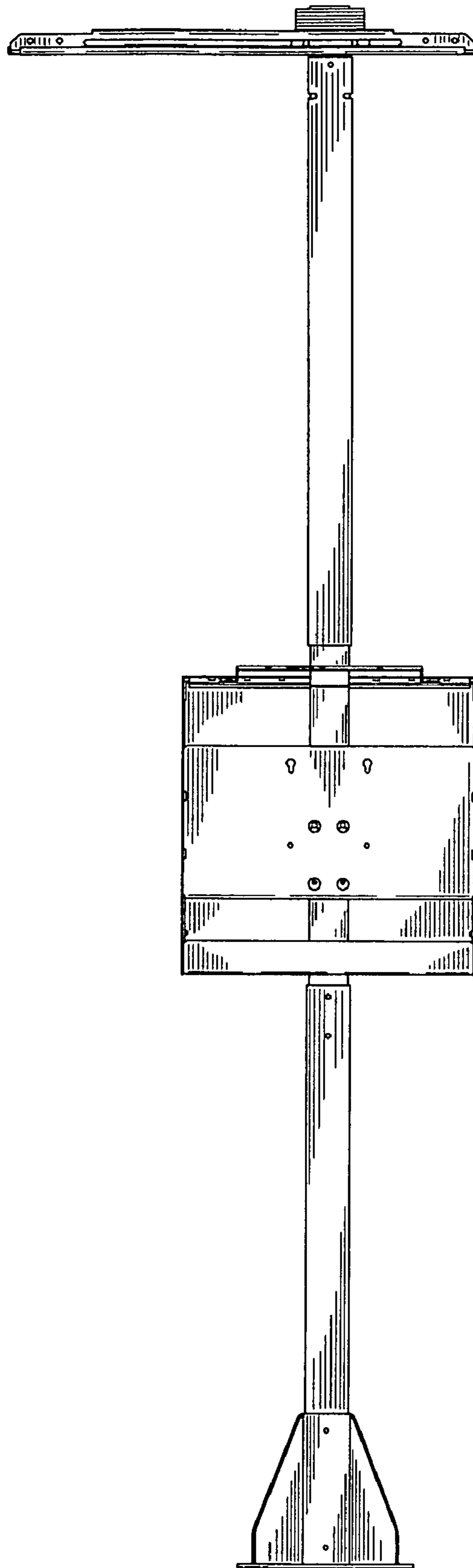


FIG. 2

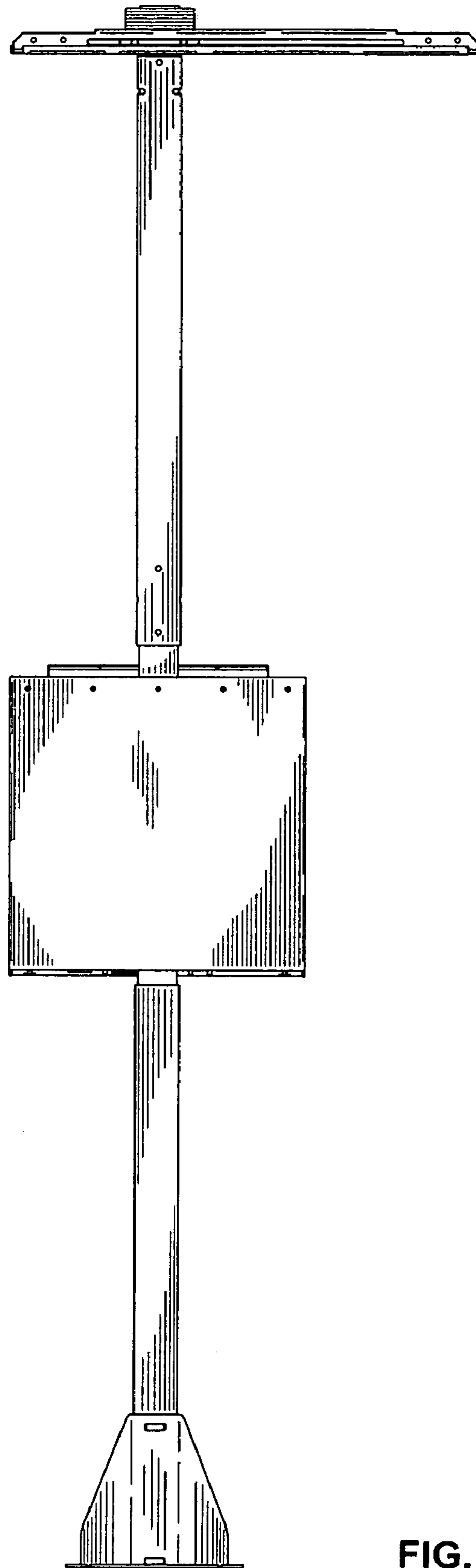


FIG. 3

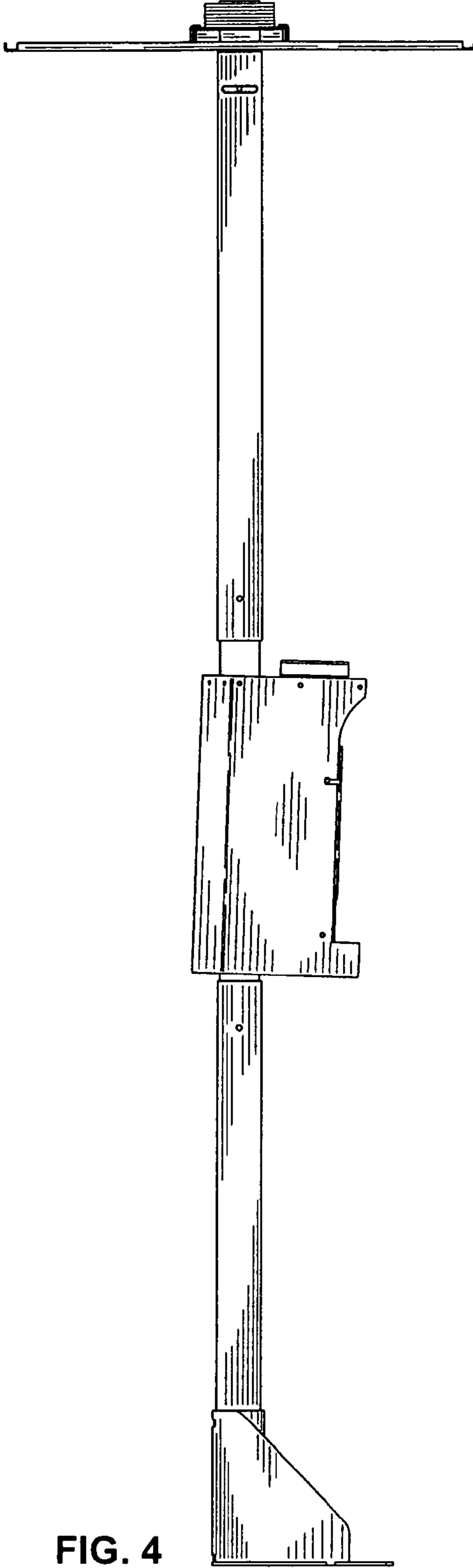


FIG. 4

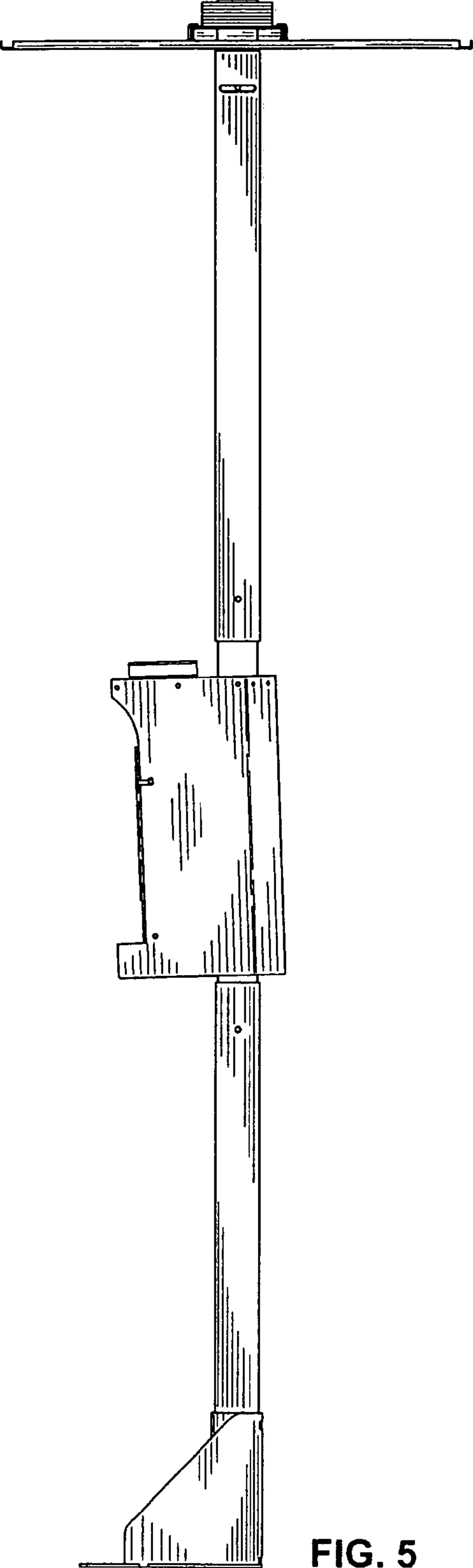


FIG. 5

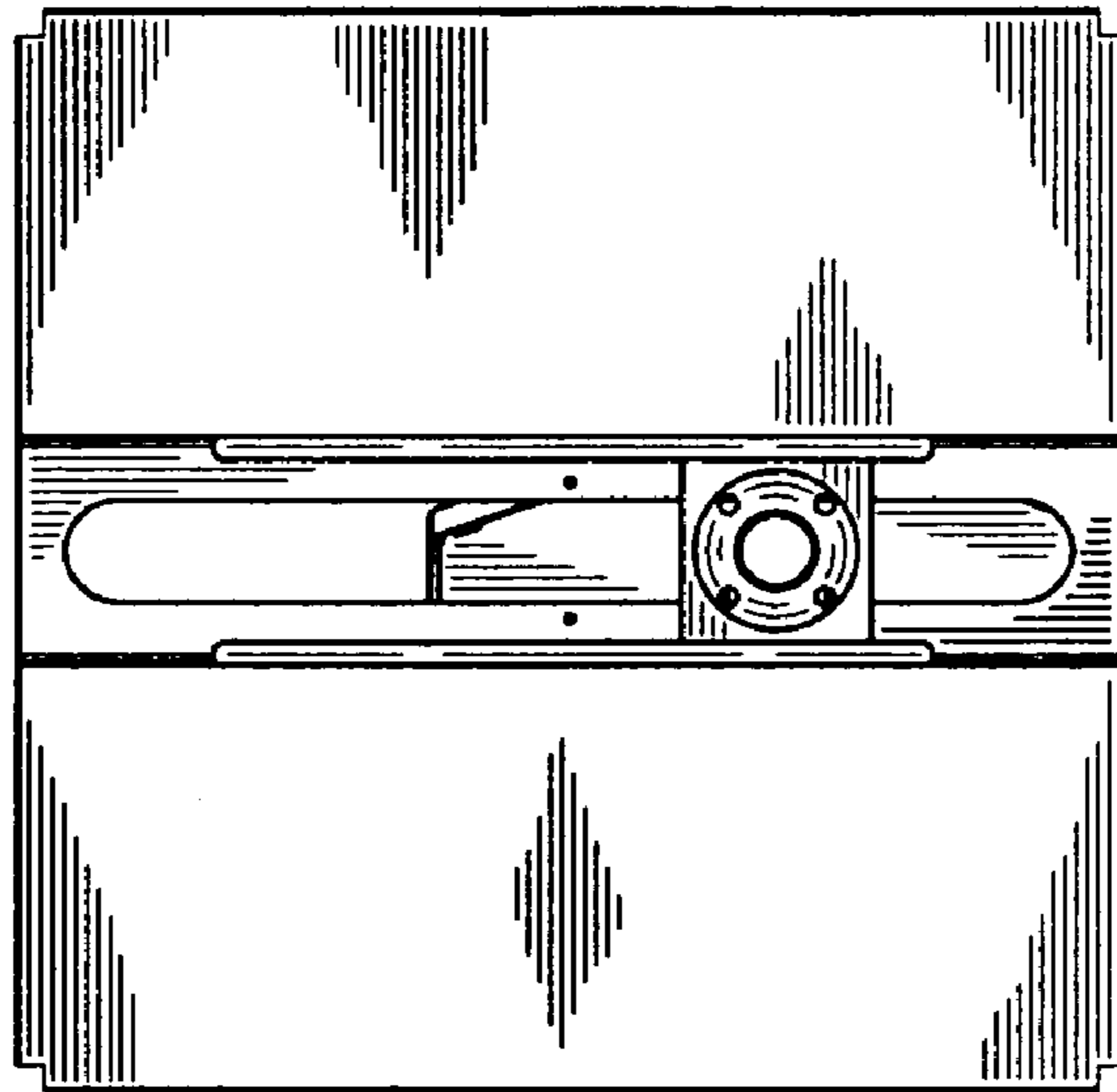


FIG. 6

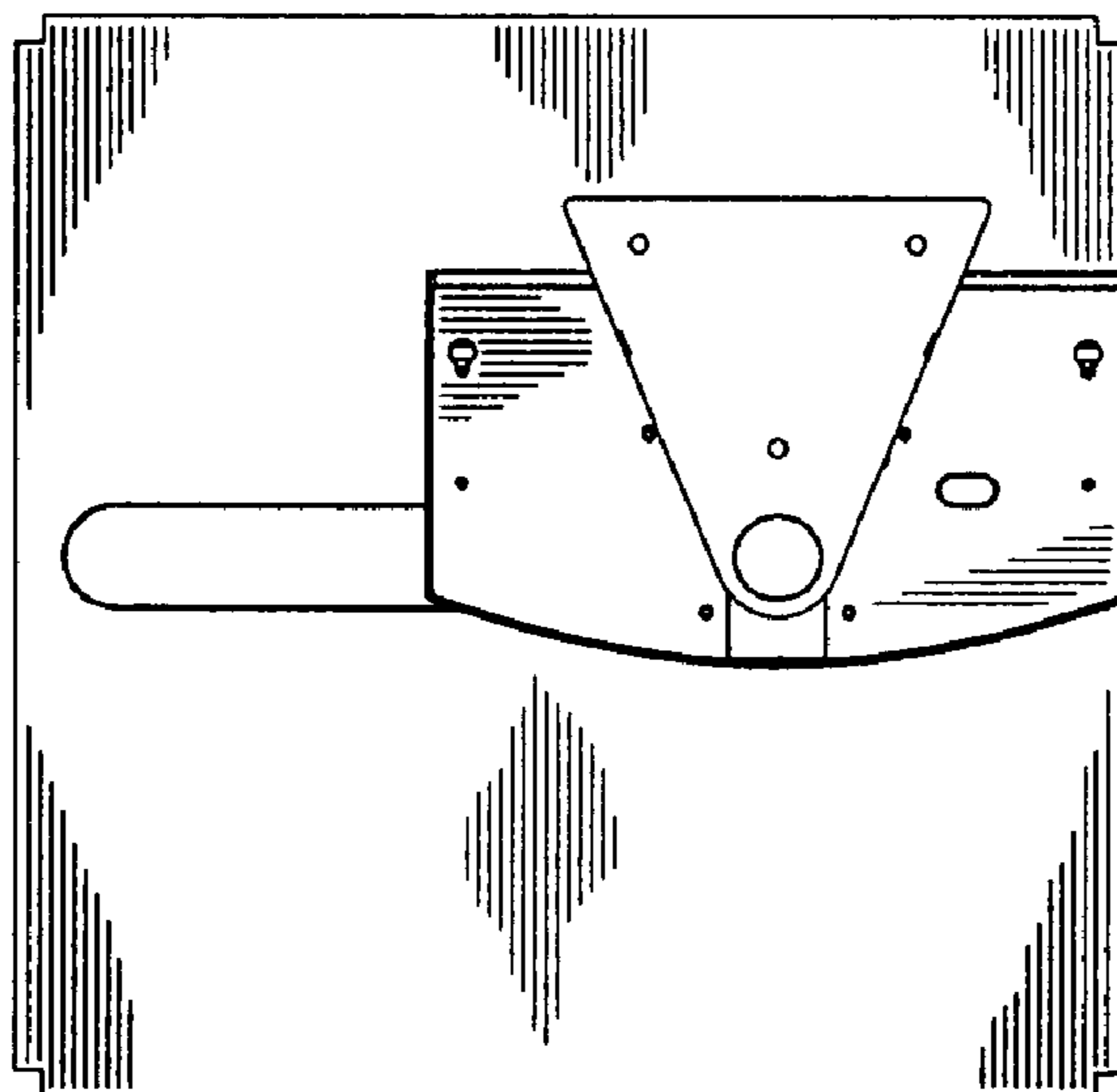


FIG. 7



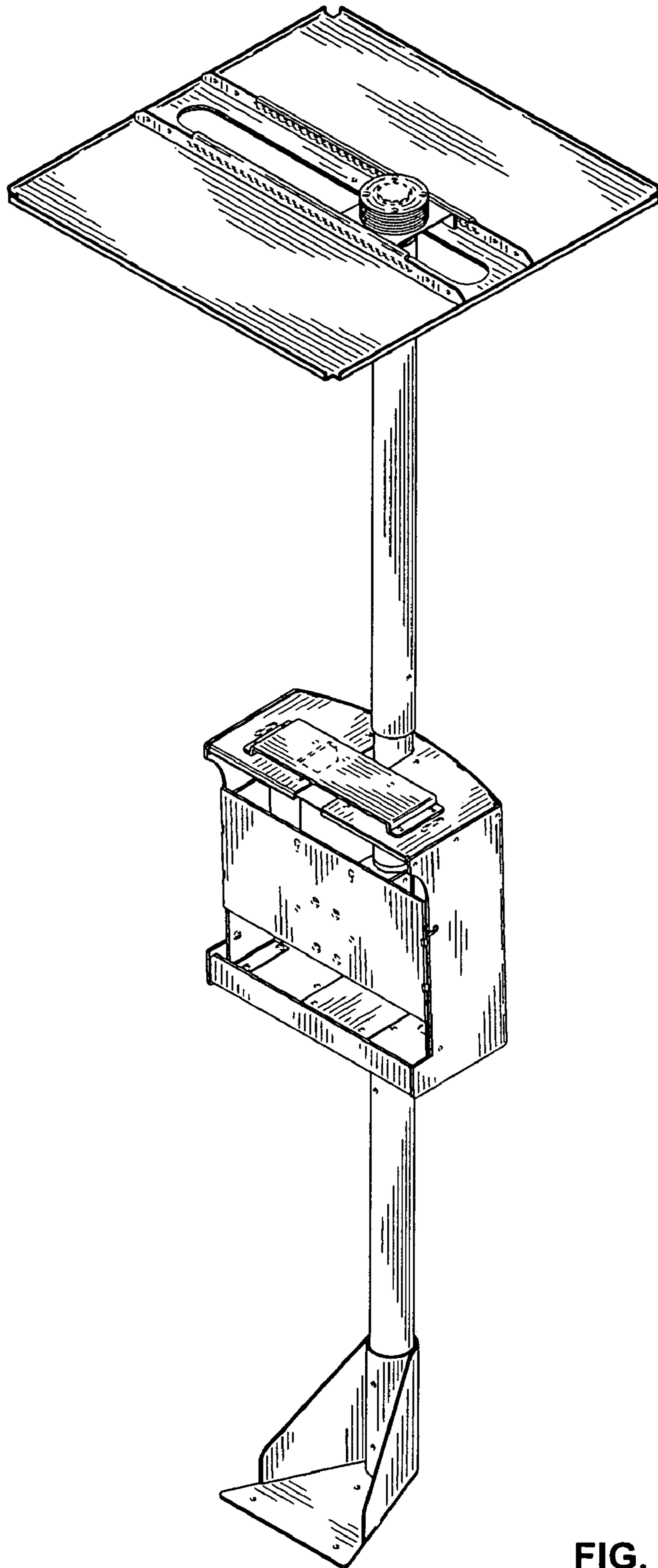


FIG. 8

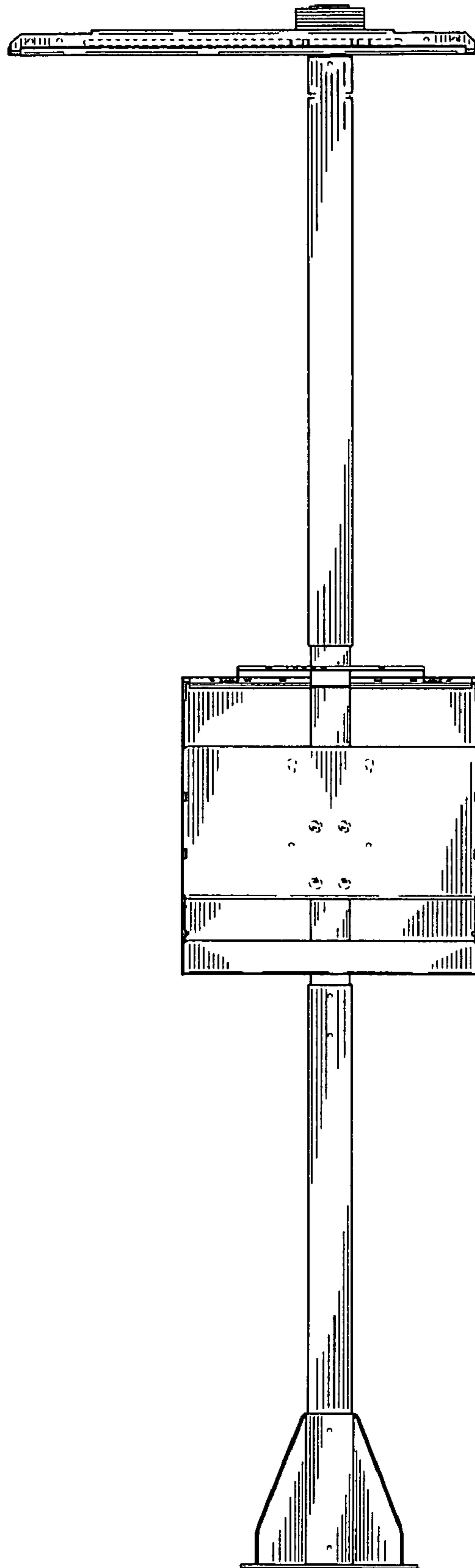


FIG. 9



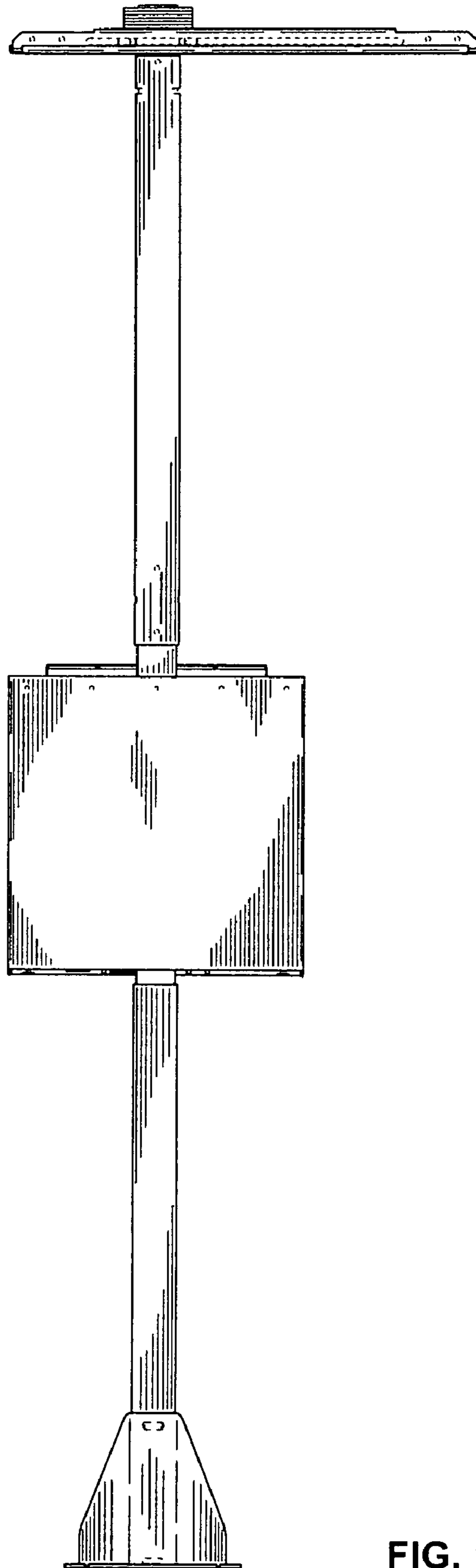


FIG. 10

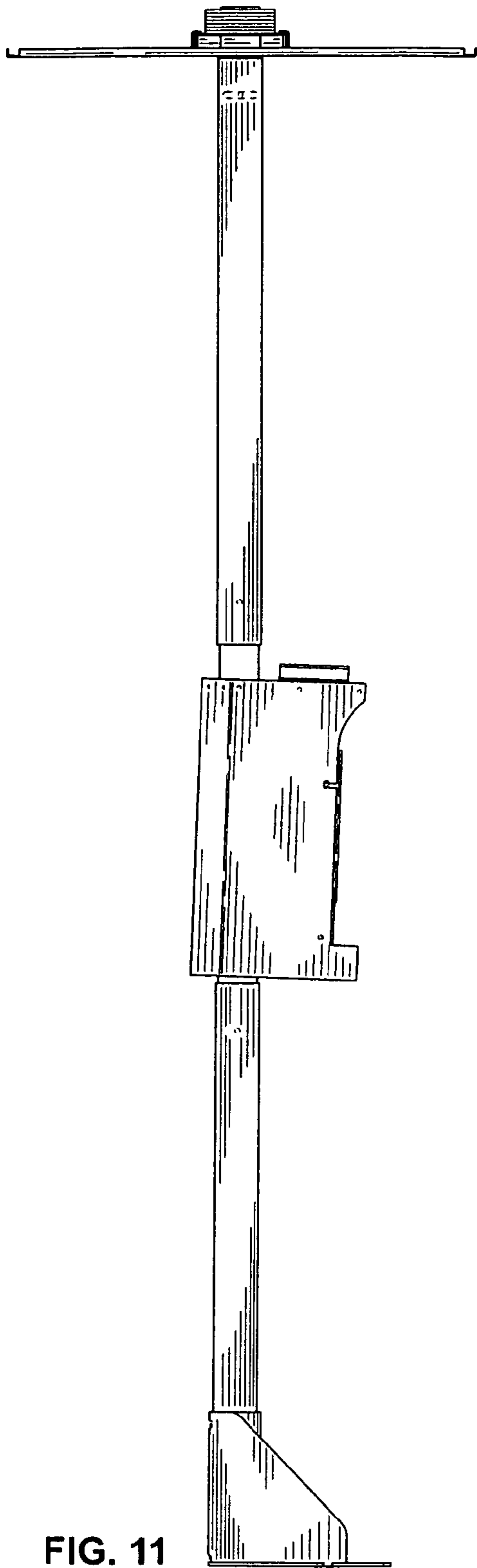


FIG. 11

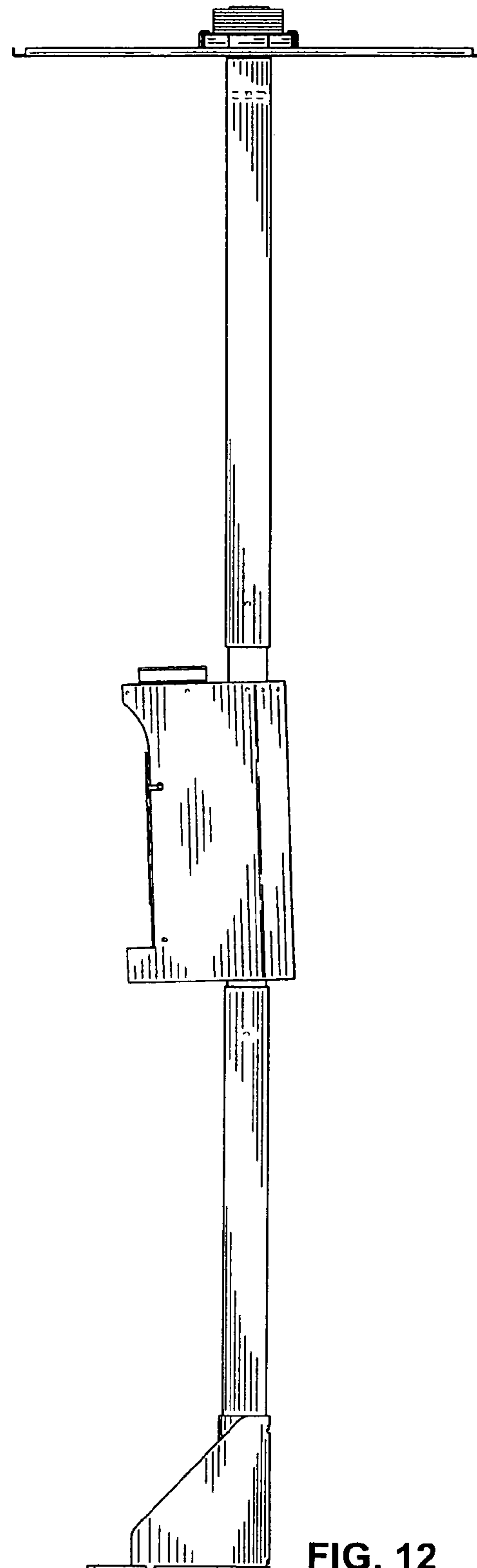


FIG. 12

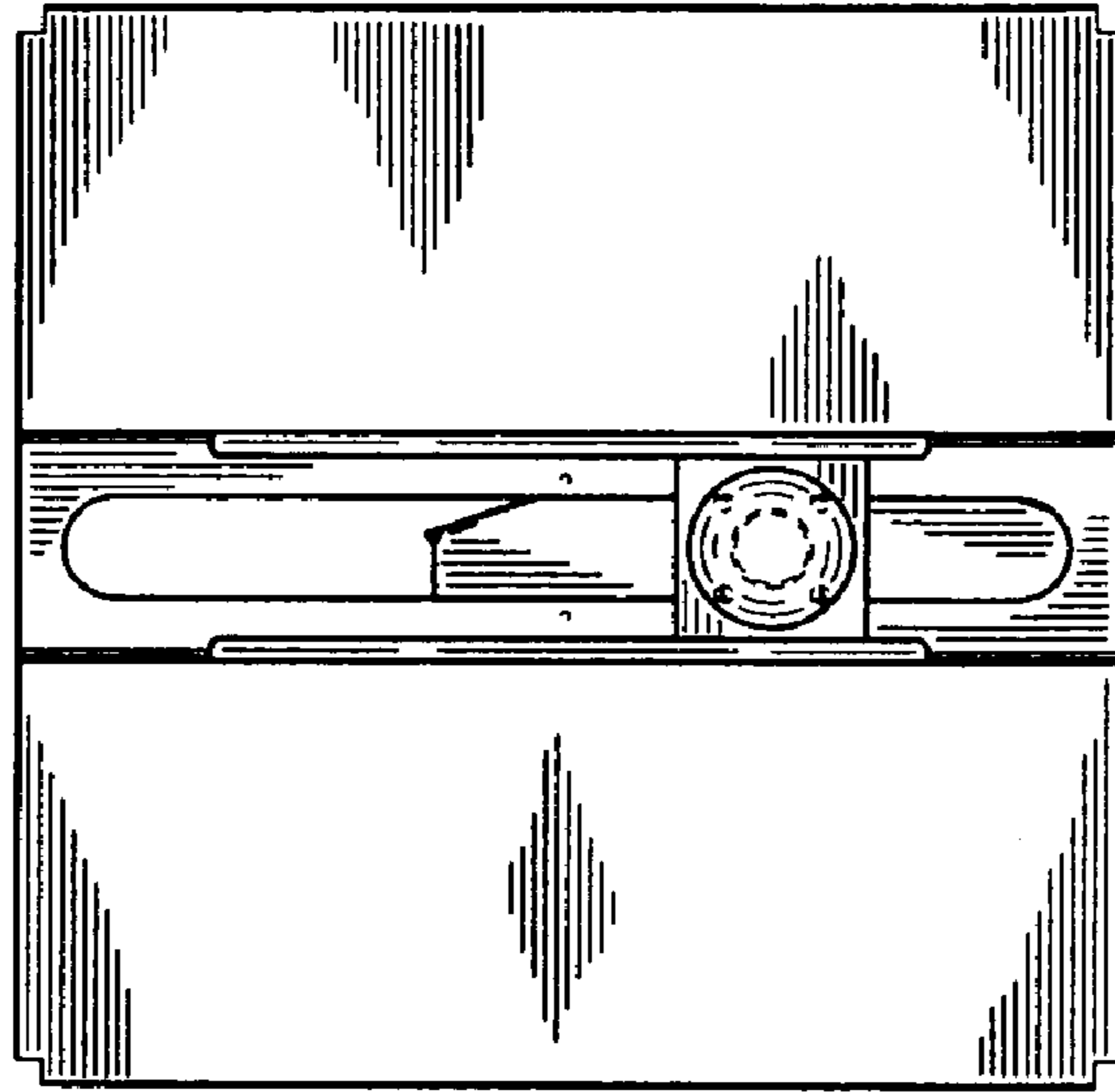


FIG. 13

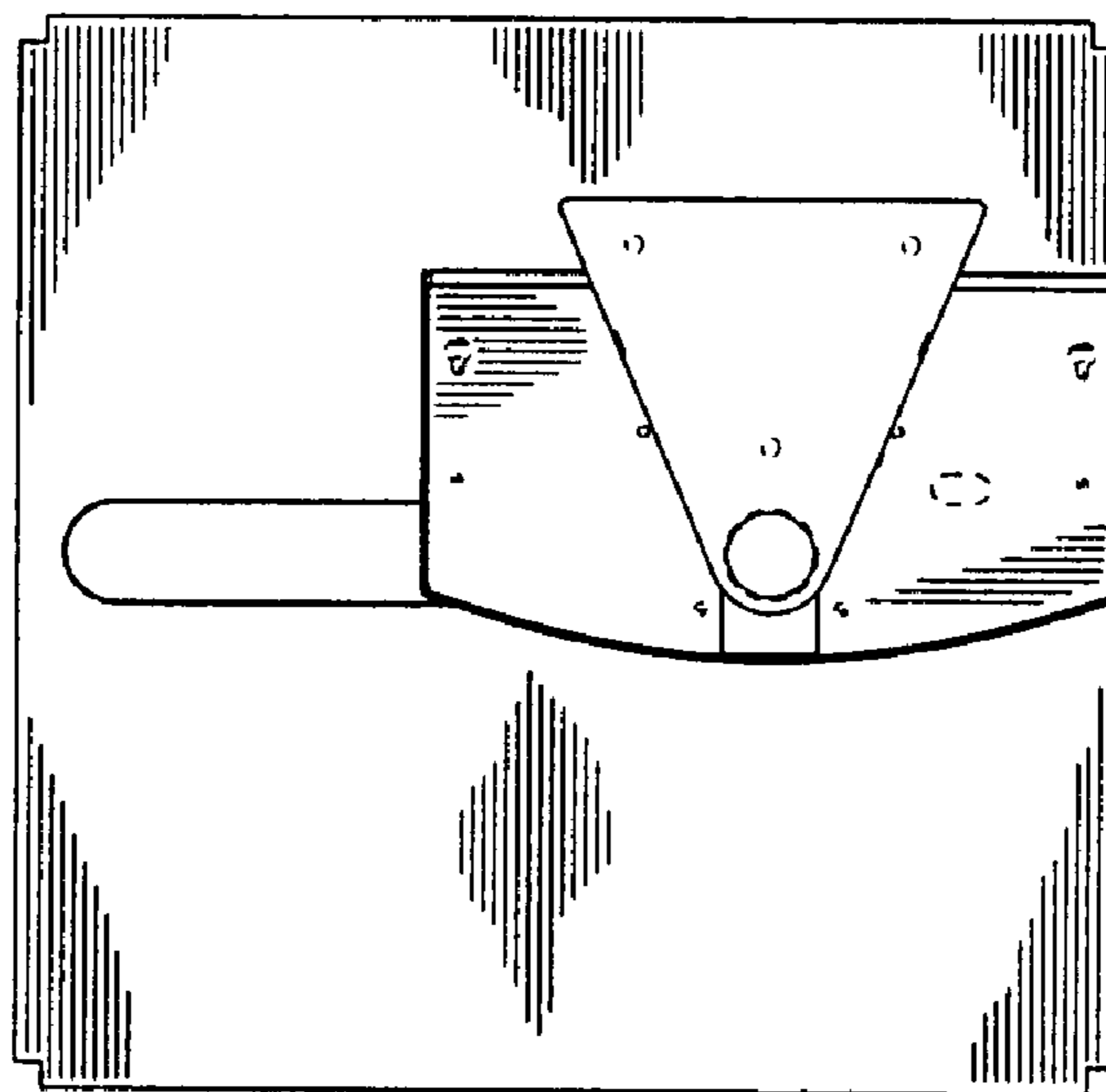


FIG. 14