



US00D568322S

(12) **United States Design Patent** (10) **Patent No.:** **US D568,322 S**  
**Gillespie et al.** (45) **Date of Patent:** **\*\* May 6, 2008**

(54) **FLOOR MOUNT**

D506,205 S \* 6/2005 Boele ..... D14/452  
2005/0035253 A1\* 2/2005 Rixom ..... 248/284.1

(75) Inventors: **John Michael Gillespie**, Green Oaks, IL (US); **Donald Lee Anderson**, Oak Park, IL (US)

\* cited by examiner

(73) Assignee: **Peerless Industries, Inc.**, Melrose Park, IL (US)

*Primary Examiner*—Cathron Brooks  
*Assistant Examiner*—Angela J Lee  
(74) *Attorney, Agent, or Firm*—Foley & Lardner LLP

(\*\*) Term: **14 Years**

(57) **CLAIM**

(21) Appl. No.: **29/263,419**

We claim the ornamental design for a floor mount, as shown and described.

(22) Filed: **Jul. 20, 2006**

**DESCRIPTION**

(51) **LOC (8) Cl.** ..... **14-03**

FIG. 1 is a perspective view of the floor mount showing our new design;

(52) **U.S. Cl.** ..... **D14/451**

FIG. 2 is a front view thereof;

(58) **Field of Classification Search** ..... D14/451, D14/452, 129, 209, 217, 224, 237, 238, 239, D14/432, 439, 447, 448; D8/349, 354, 355, D8/363, 373, 380; 248/176.1, 201, 205.1, 248/220.21, 223.31, 231.9, 274.1, 276.1, 248/281.11, 284.1, 286.1, 309.1, 316.1, 323, 248/324, 349.1, 371, 398, 425, 917, 918, 248/919, 920, 921, 922, 923, 924, 121, 124.1, 248/127, 291.1, 313; 348/825, 827  
See application file for complete search history.

FIG. 3 is a rear view thereof;

FIG. 4 is a right side view thereof;

FIG. 5 is a left side view thereof;

FIG. 6 is a top plan view thereof;

FIG. 7 is a bottom view thereof;

FIG. 8 is a perspective view of another embodiment of floor mount showing our new design;

(56) **References Cited**

**U.S. PATENT DOCUMENTS**

D332,789 S \* 1/1993 Rak ..... D14/251  
D364,799 S \* 12/1995 Callas ..... D8/395  
D377,897 S \* 2/1997 Vogels ..... D8/373  
D426,540 S \* 6/2000 Tejima ..... D14/224  
D430,570 S \* 9/2000 Lee ..... D14/451  
D456,415 S \* 4/2002 Deuschle ..... D14/447  
D460,078 S \* 7/2002 Li ..... D14/452  
D478,088 S 8/2003 Hamouz  
D488,708 S \* 4/2004 Lam et al. .... D8/363  
D491,747 S 6/2004 Walters  
D497,538 S \* 10/2004 van Groesen ..... D8/363  
D505,858 S \* 6/2005 O'Keene ..... D8/355

FIG. 9 is a front view of the floor mount in FIG. 8;

FIG. 10 is a rear view of the floor mount in FIG. 8;

FIG. 11 is a right side view of the floor mount in FIG. 8;

FIG. 12 is a left side view of the floor mount in FIG. 8;

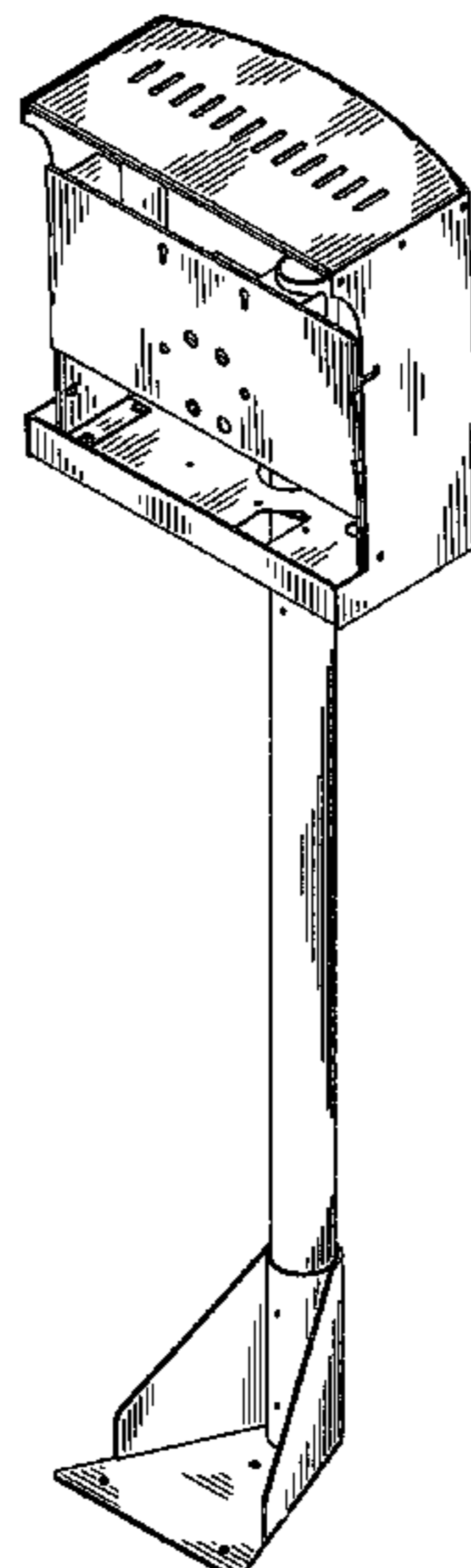
FIG. 13 is a top plan view of the floor mount in FIG. 8; and,

FIG. 14 is a bottom view of the floor mount in FIG. 8.

The broken lines shown are for illustrative purposes only and form no part of the claimed design.

The broken line showing of portions of the floor mount in FIGS. 8-14 forms no part of the claimed design.

**1 Claim, 8 Drawing Sheets**



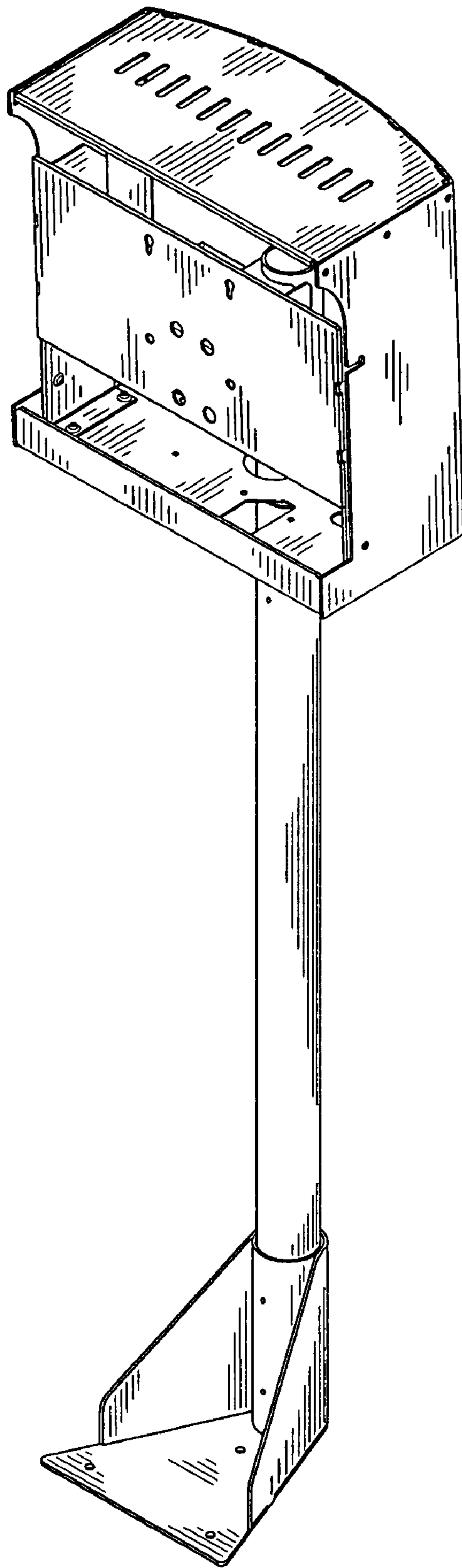


FIG. 1

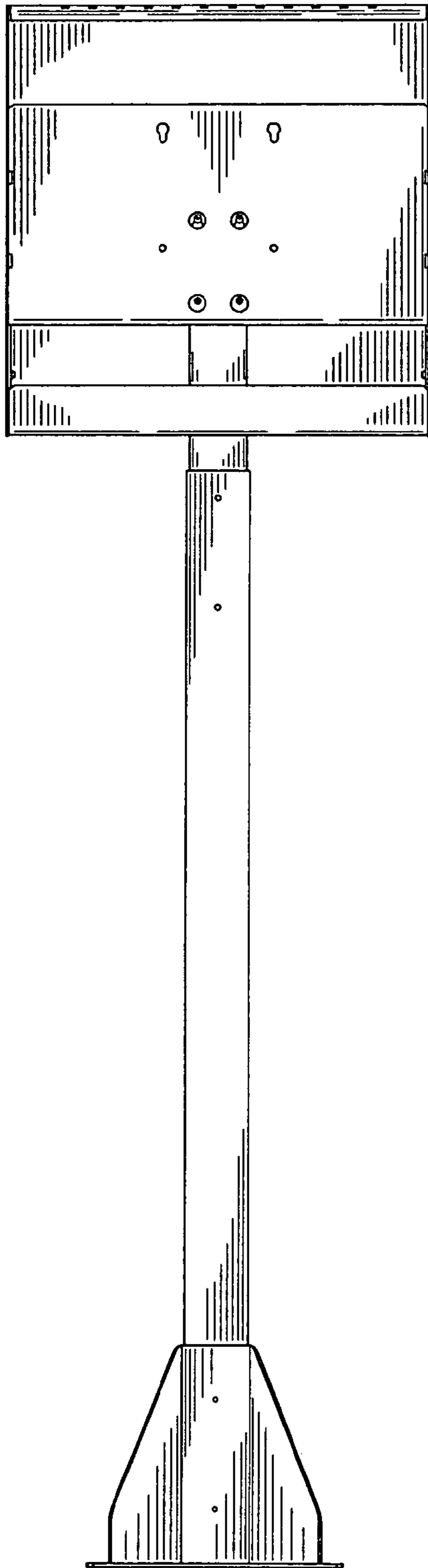


FIG. 2

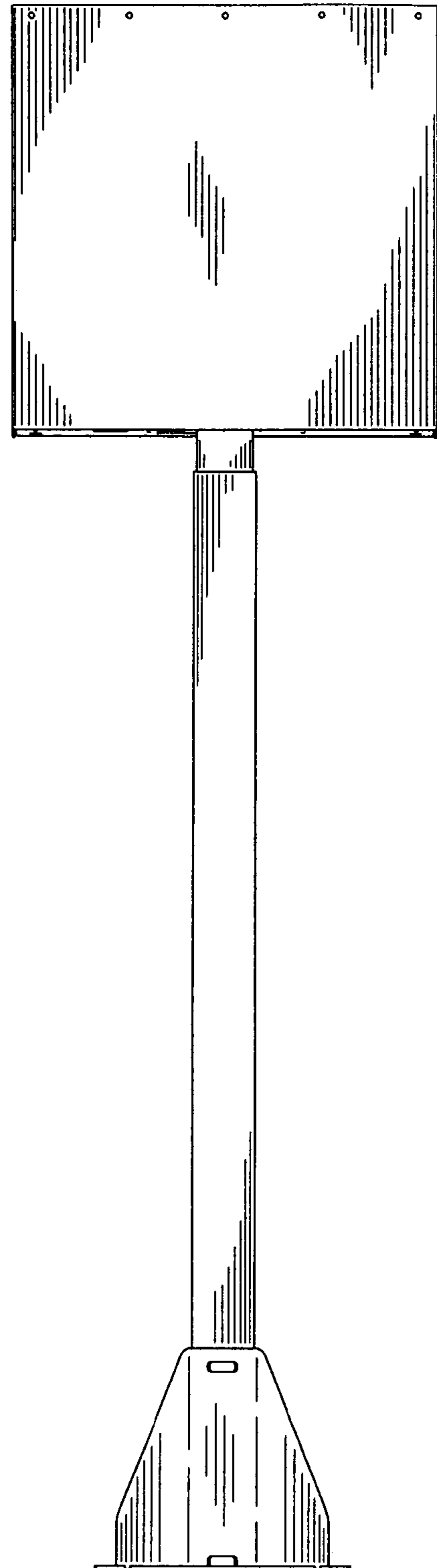


FIG. 3

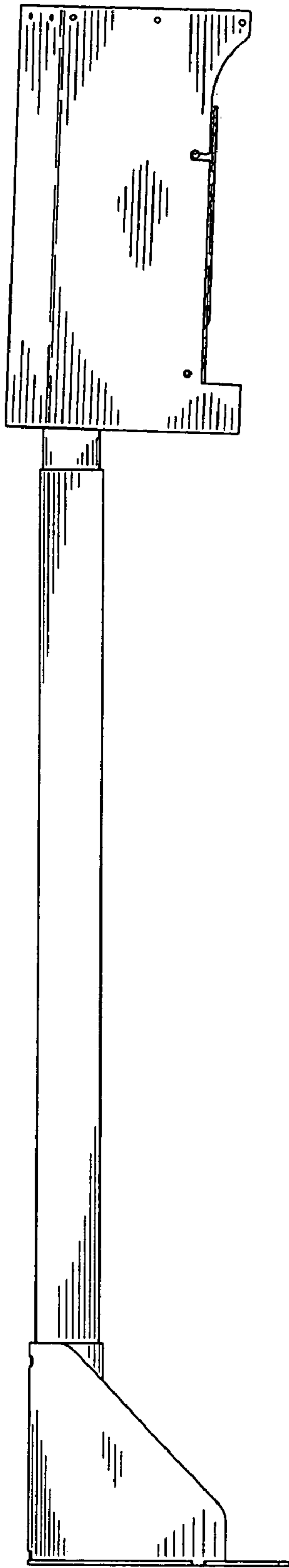


FIG. 4

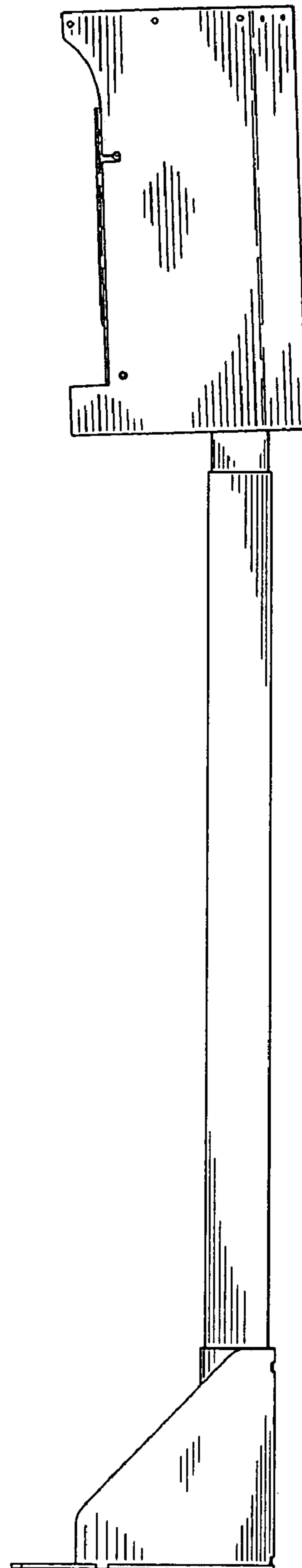
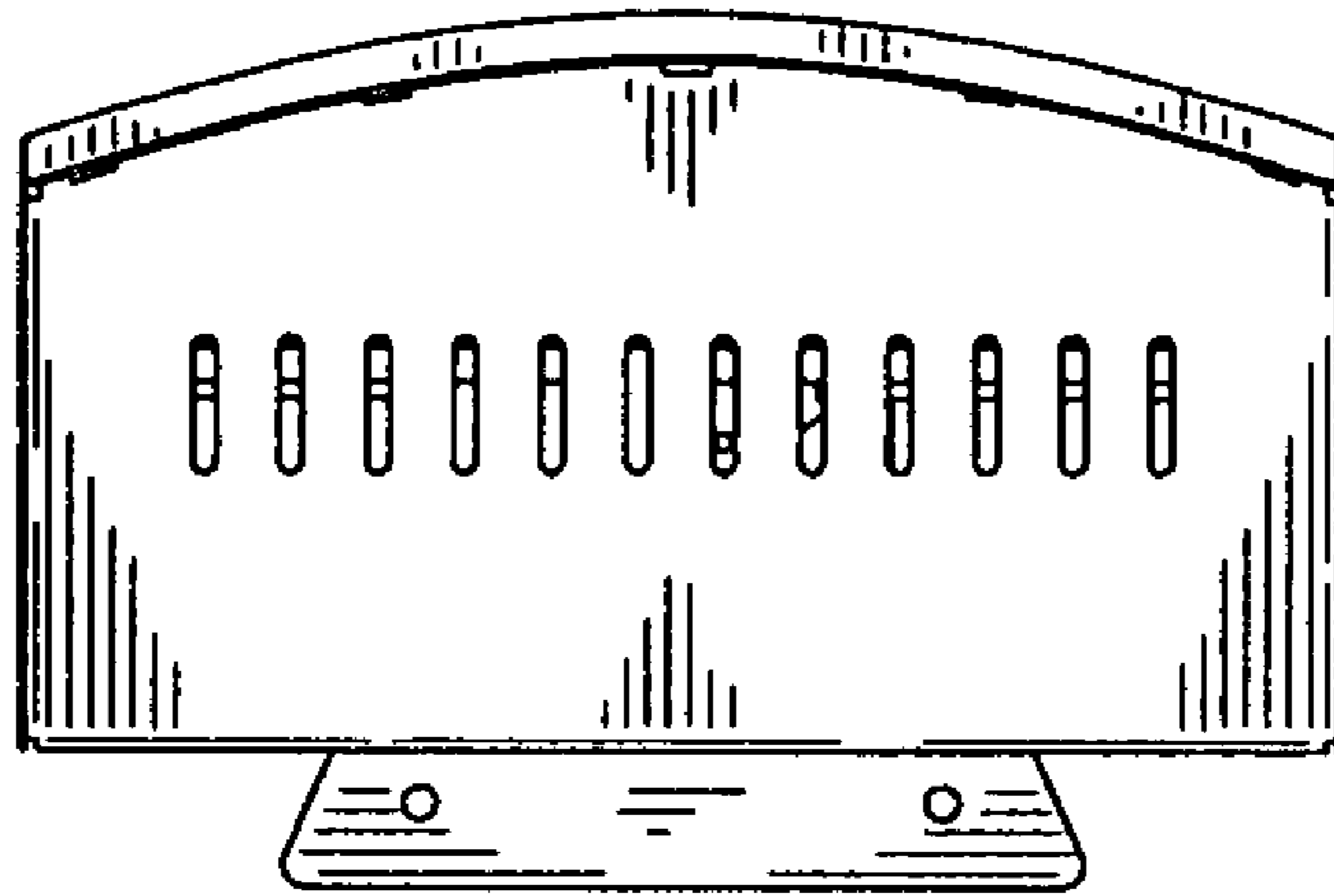
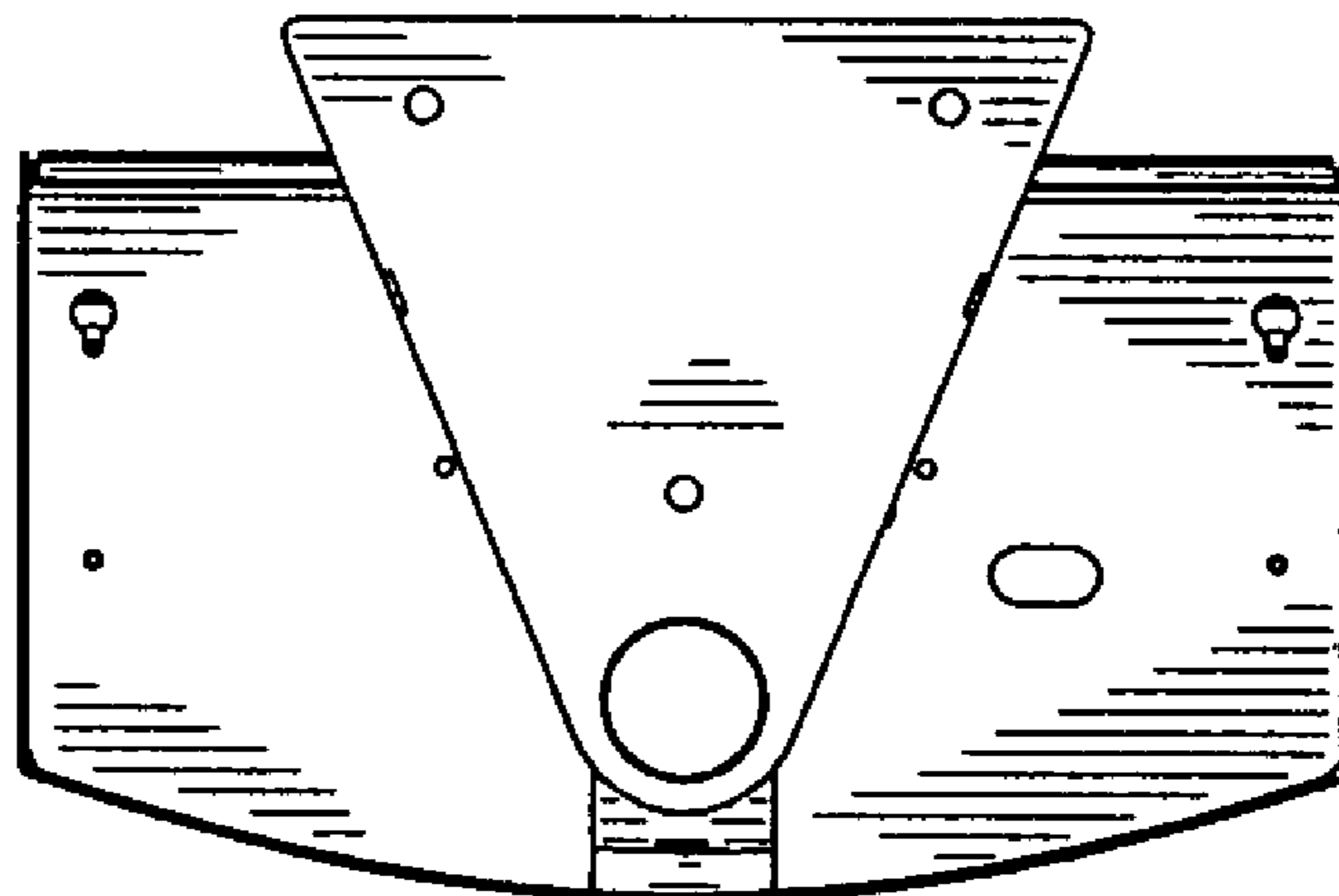


FIG. 5



**FIG. 6**



**FIG. 7**

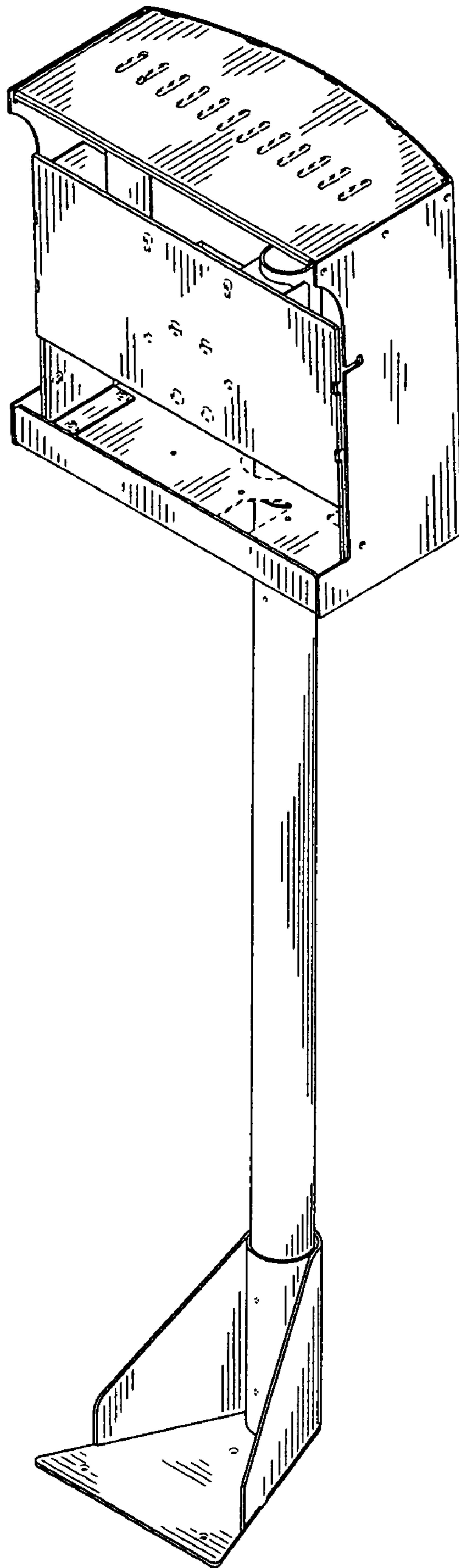


FIG. 8

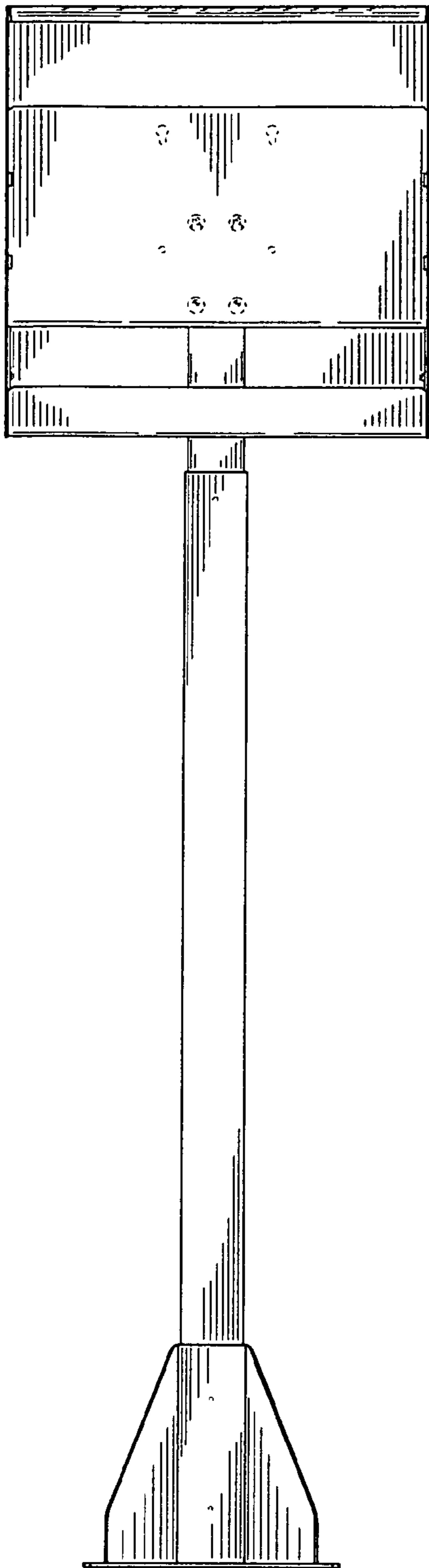


FIG. 9

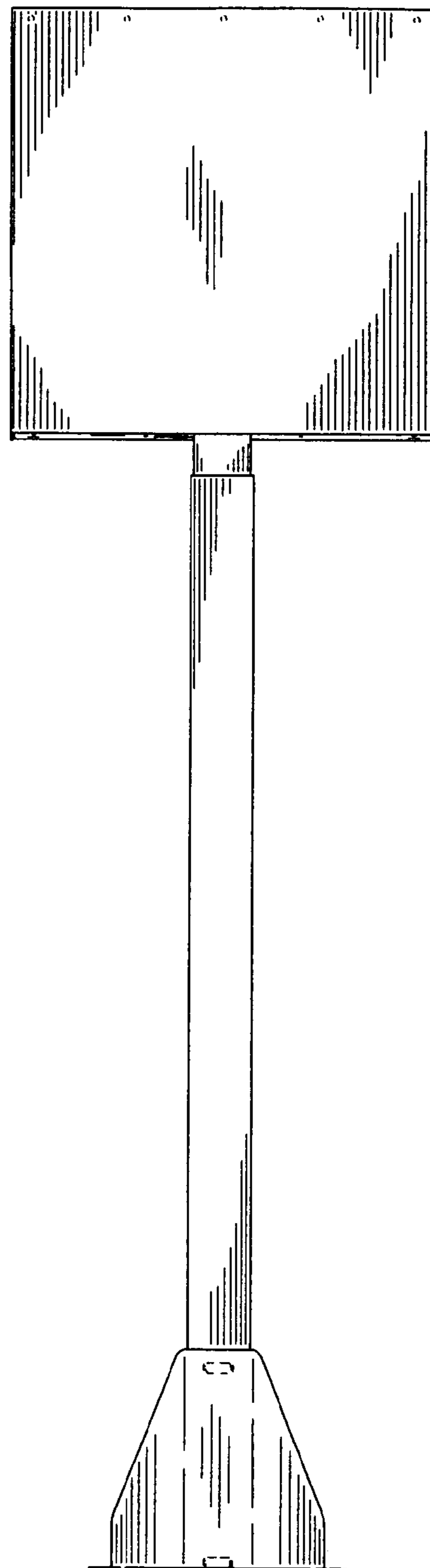


FIG. 10

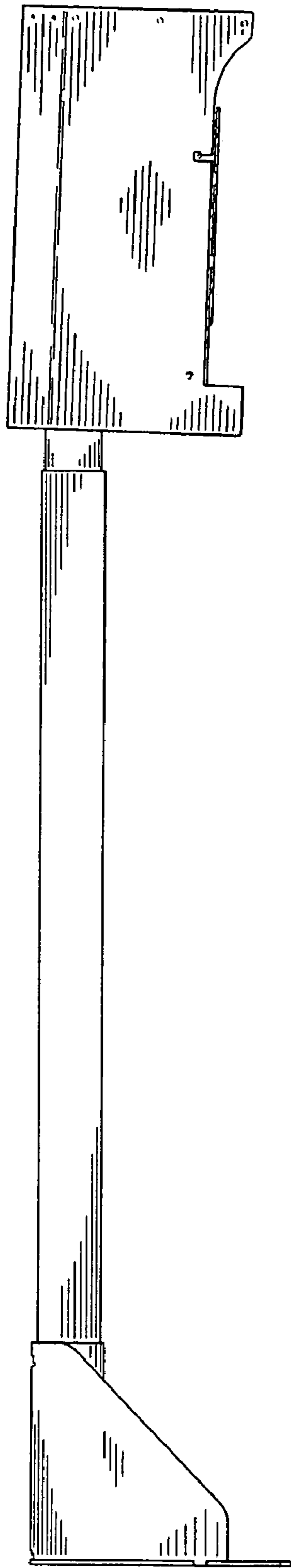


FIG. 11

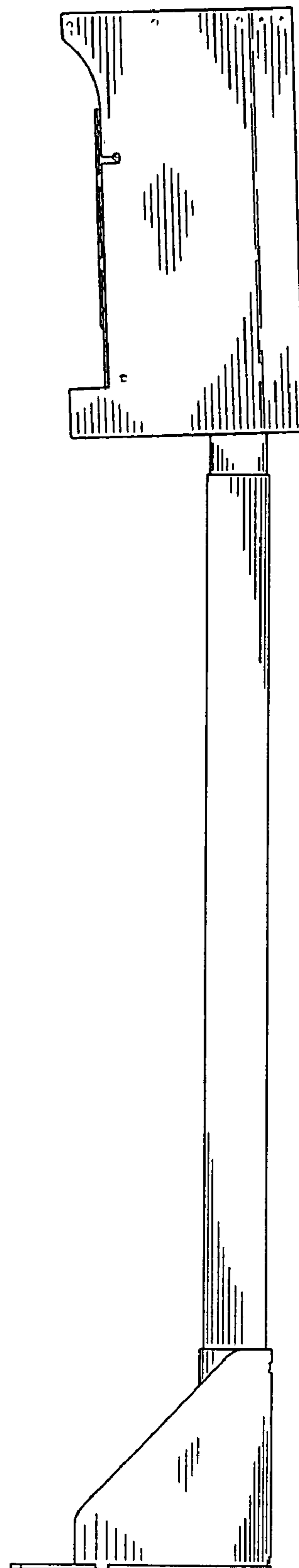


FIG. 12



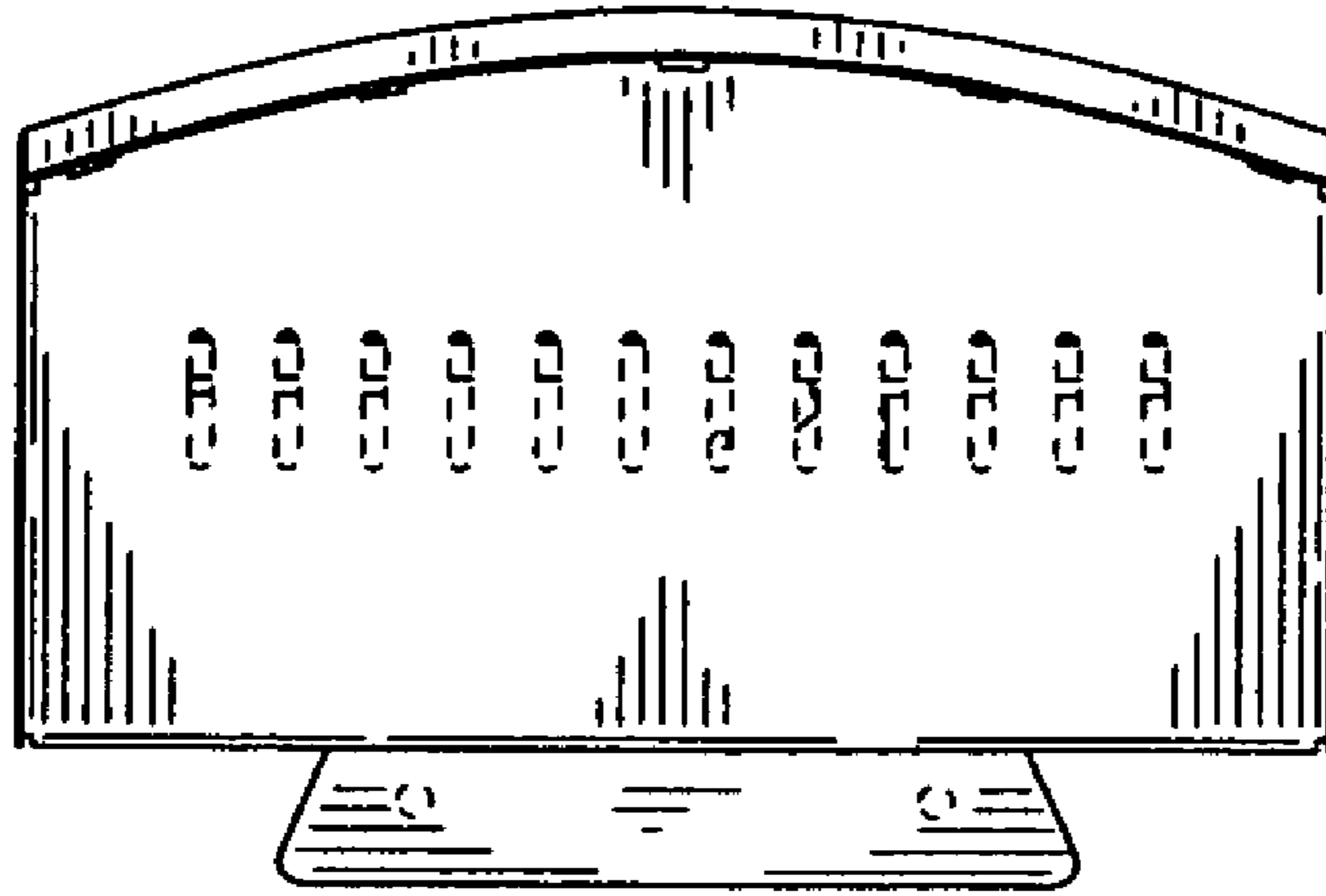


FIG. 13

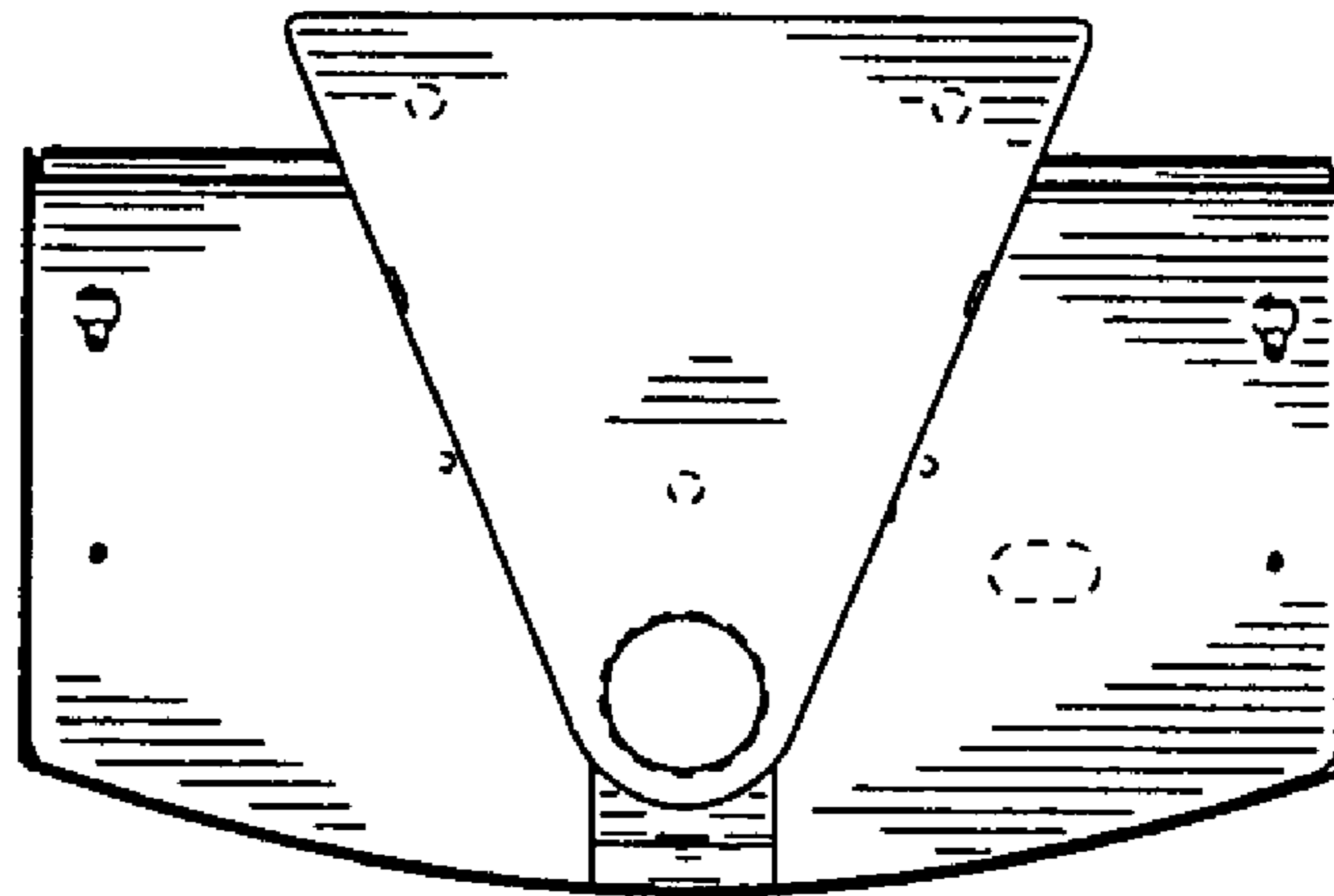


FIG. 14