



US00D568321S

(12) **United States Design Patent** (10) **Patent No.:** **US D568,321 S**
Gillespie (45) **Date of Patent:** **** May 6, 2008**

(54) **CEILING MOUNT** 2005/0035253 A1* 2/2005 Rixom 248/284.1

(75) Inventor: **John Michael Gillespie**, Green Oaks, IL (US)

* cited by examiner

Primary Examiner—Cathron Brooks

Assistant Examiner—Angela J Lee

(73) Assignee: **Peerless Industries, Inc.**, Melrose Park, IL (US)

(74) *Attorney, Agent, or Firm*—Foley & Lardner LLP

(**) Term: **14 Years**

(57) **CLAIM**

(21) Appl. No.: **29/263,414**

I claim the ornamental design for a ceiling mount, as shown and described.

(22) Filed: **Jul. 20, 2006**

DESCRIPTION

(51) **LOC (8) Cl.** **14-03**

(52) **U.S. Cl.** **D14/451**

(58) **Field of Classification Search** D14/451, D14/452, 129, 209, 217, 224, 237, 238, 239, D14/432, 439, 447, 448; D8/349, 354, 355, D8/363, 373, 380; 248/176.1, 201, 205.1, 248/220.21, 223.31, 231.9, 274.1, 276.1, 248/281.11, 284.1, 286.1, 309.1, 316.1, 323, 248/324, 349.1, 371, 398, 425, 917, 918, 248/919, 920, 921, 922, 923, 924, 121, 124.1, 248/127, 291.1, 313; 348/825, 827

FIG. 1 is a perspective view of the ceiling mount showing my new design;

FIG. 2 is a front view thereof;

FIG. 3 is a rear view thereof;

FIG. 4 is a right side view thereof;

FIG. 5 is a left side view thereof;

FIG. 6 is a top plan view thereof;

FIG. 7 is a bottom view thereof;

FIG. 8 is a perspective view of another embodiment of the ceiling mount showing my new design;

FIG. 9 is a front view of the ceiling mount in FIG. 8;

FIG. 10 is a rear view of the ceiling mount in FIG. 8;

FIG. 11 is a right side view of the ceiling mount in FIG. 8;

FIG. 12 is a left side view of the ceiling mount in FIG. 8;

FIG. 13 is a top plan view of the ceiling mount in FIG. 8; and,

FIG. 14 is a bottom view of the ceiling mount in FIG. 8.

The broken line showing of portions of the ceiling mount in FIGS. 8–14 forms no part of the claimed design.

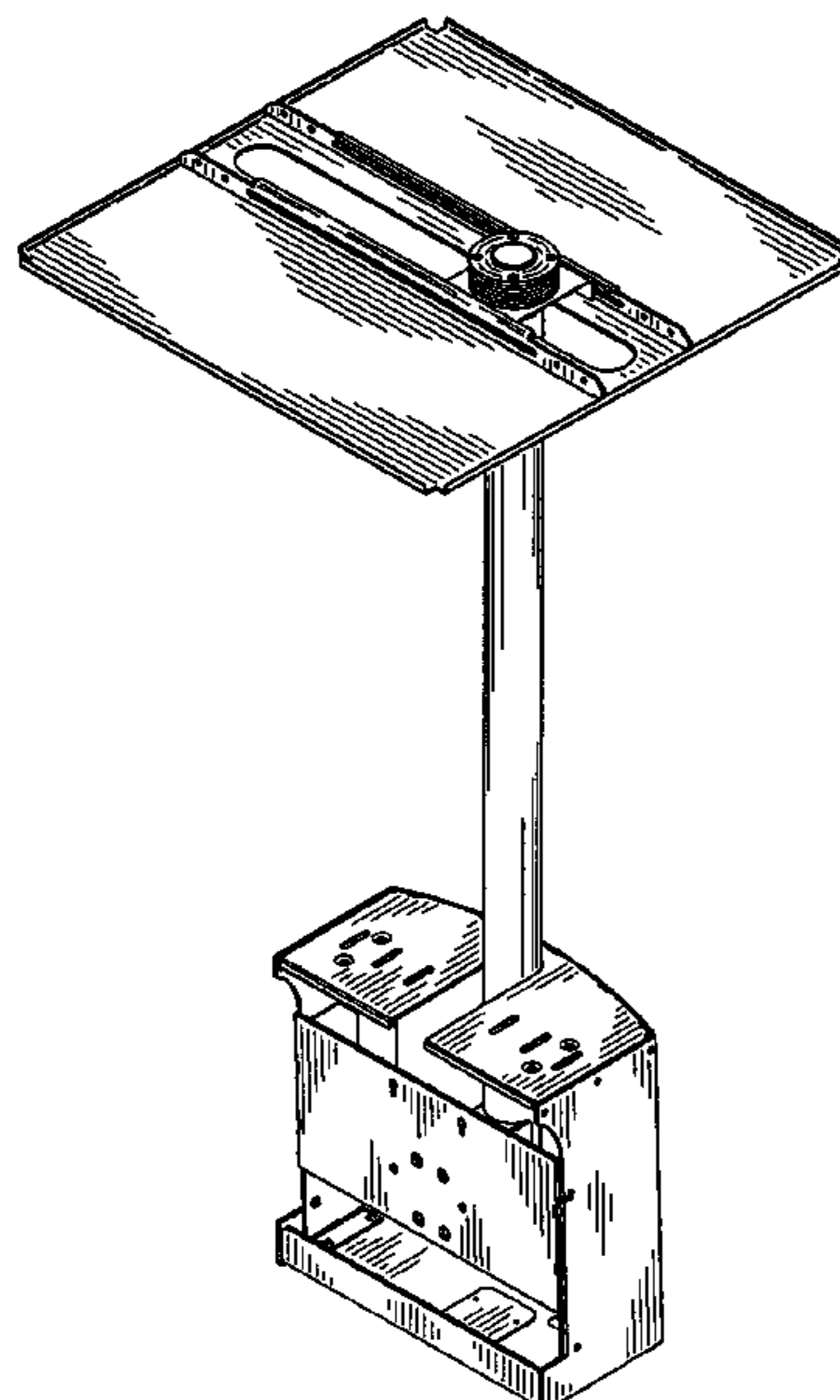
See application file for complete search history.

(56) **References Cited**

U.S. PATENT DOCUMENTS

D332,789 S *	1/1993	Rak	D14/251
D377,897 S *	2/1997	Vogels	D8/373
D392,976 S *	3/1998	Fenner et al.	D14/214
D426,540 S *	6/2000	Tejima	D14/224
D430,570 S *	9/2000	Lee	D14/451
D456,415 S *	4/2002	Deuschle	D14/447
D460,078 S *	7/2002	Li	D14/452
D488,708 S *	4/2004	Lam et al.	D8/363
D497,538 S *	10/2004	van Groesen	D8/363
D505,858 S *	6/2005	O'Keene	D8/355
D506,205 S *	6/2005	Boele	D14/452

1 Claim, 12 Drawing Sheets



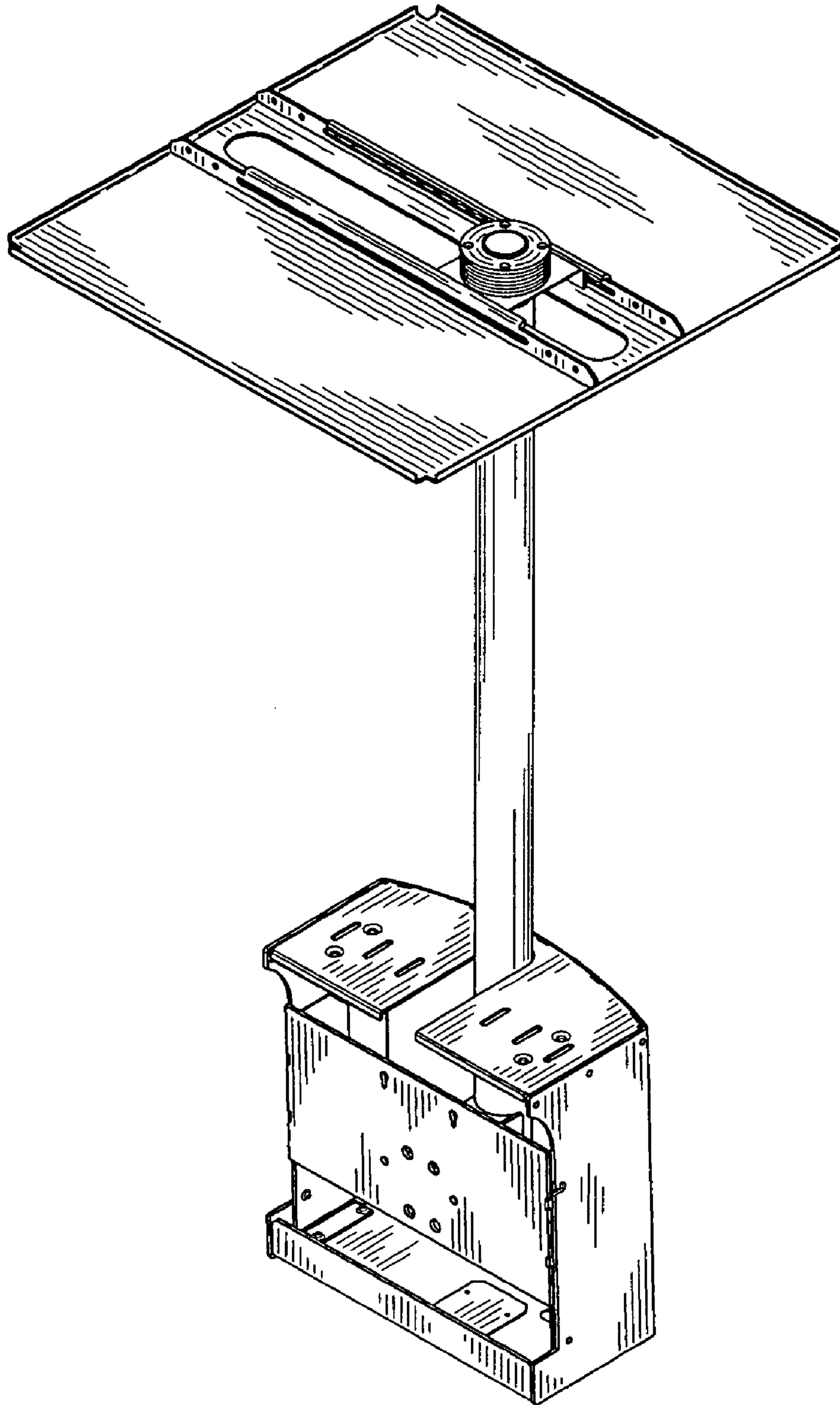


FIG. 1

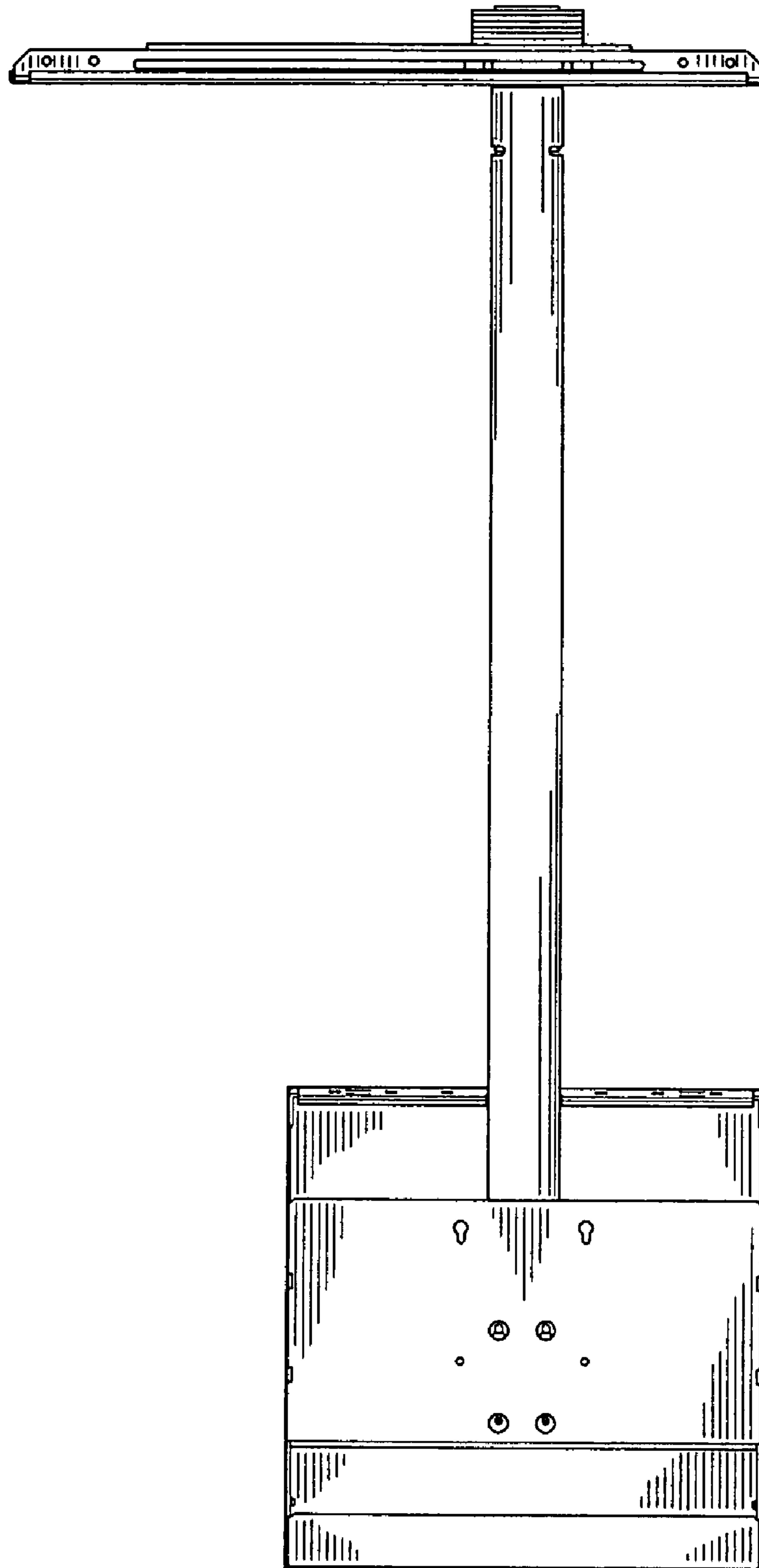


FIG. 2

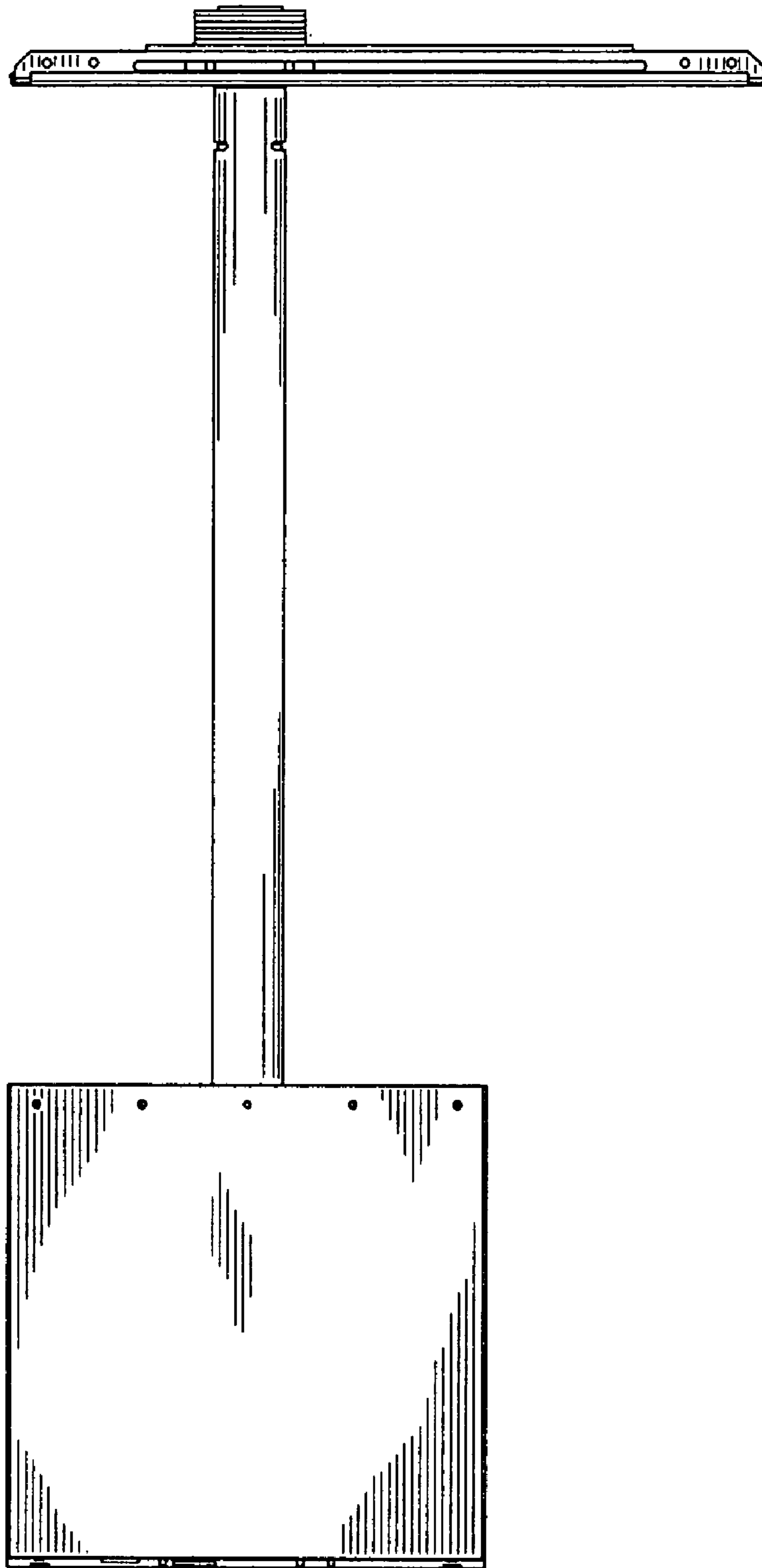


FIG. 3

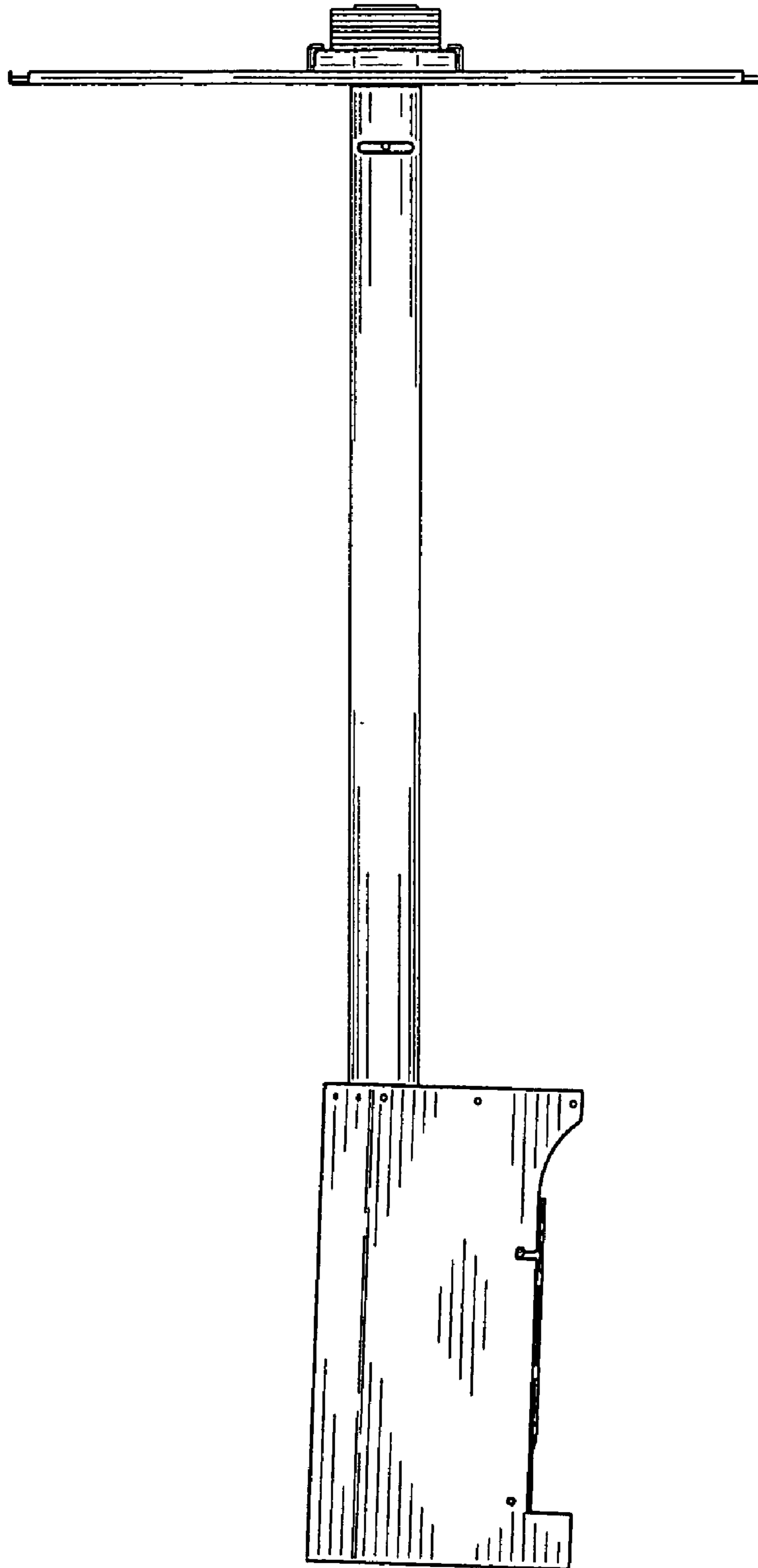


FIG. 4

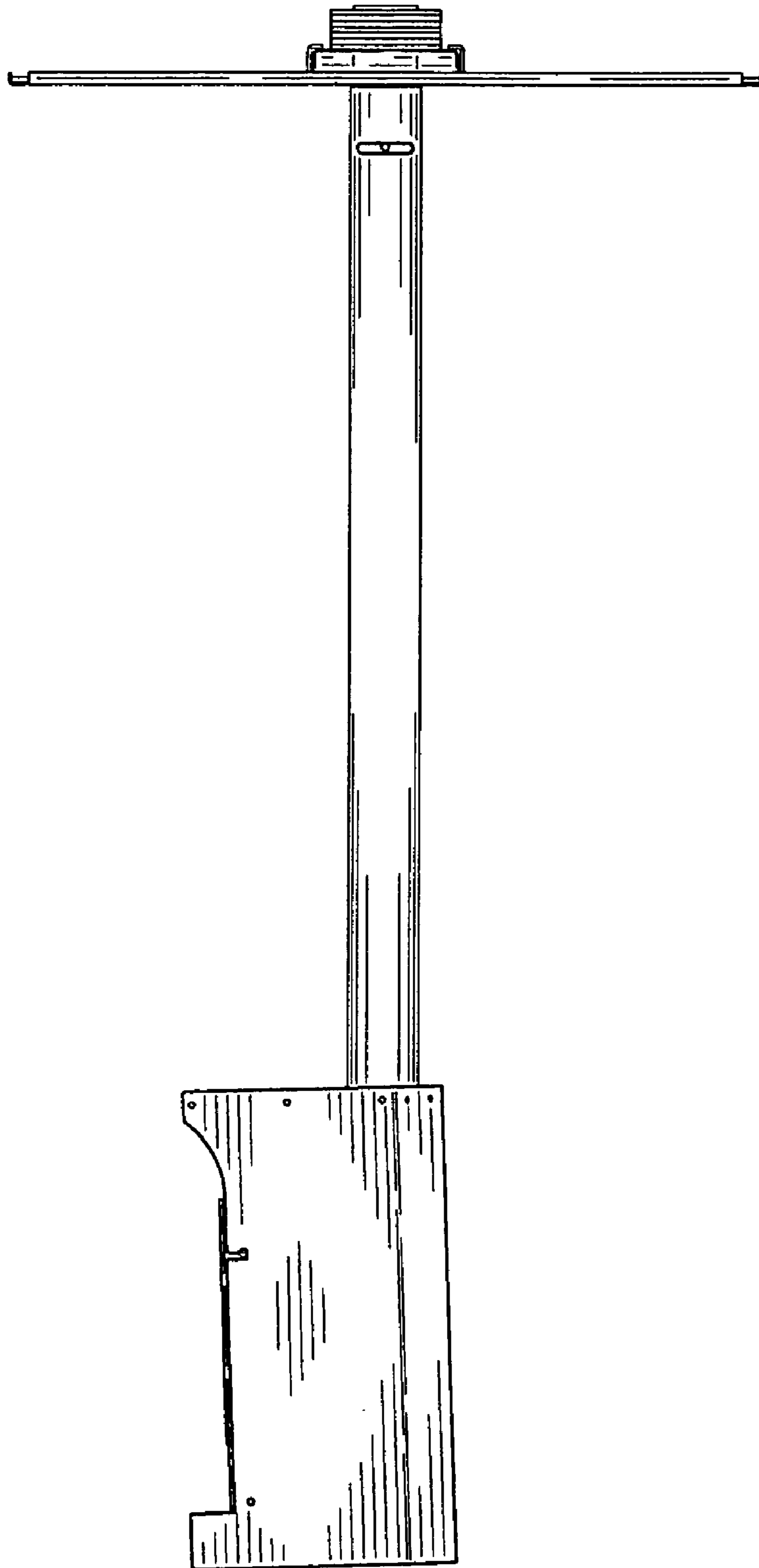


FIG. 5

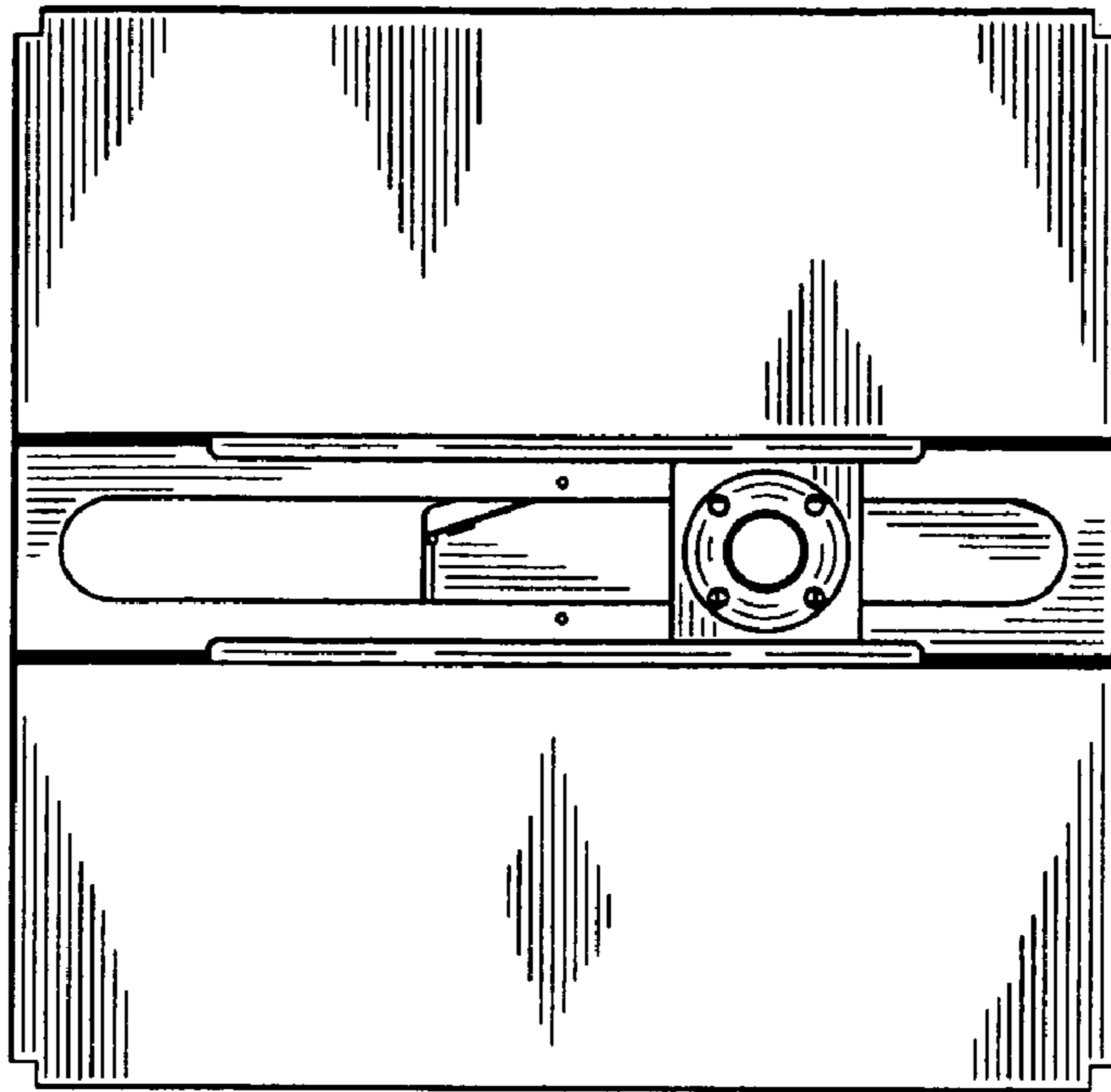


FIG. 6

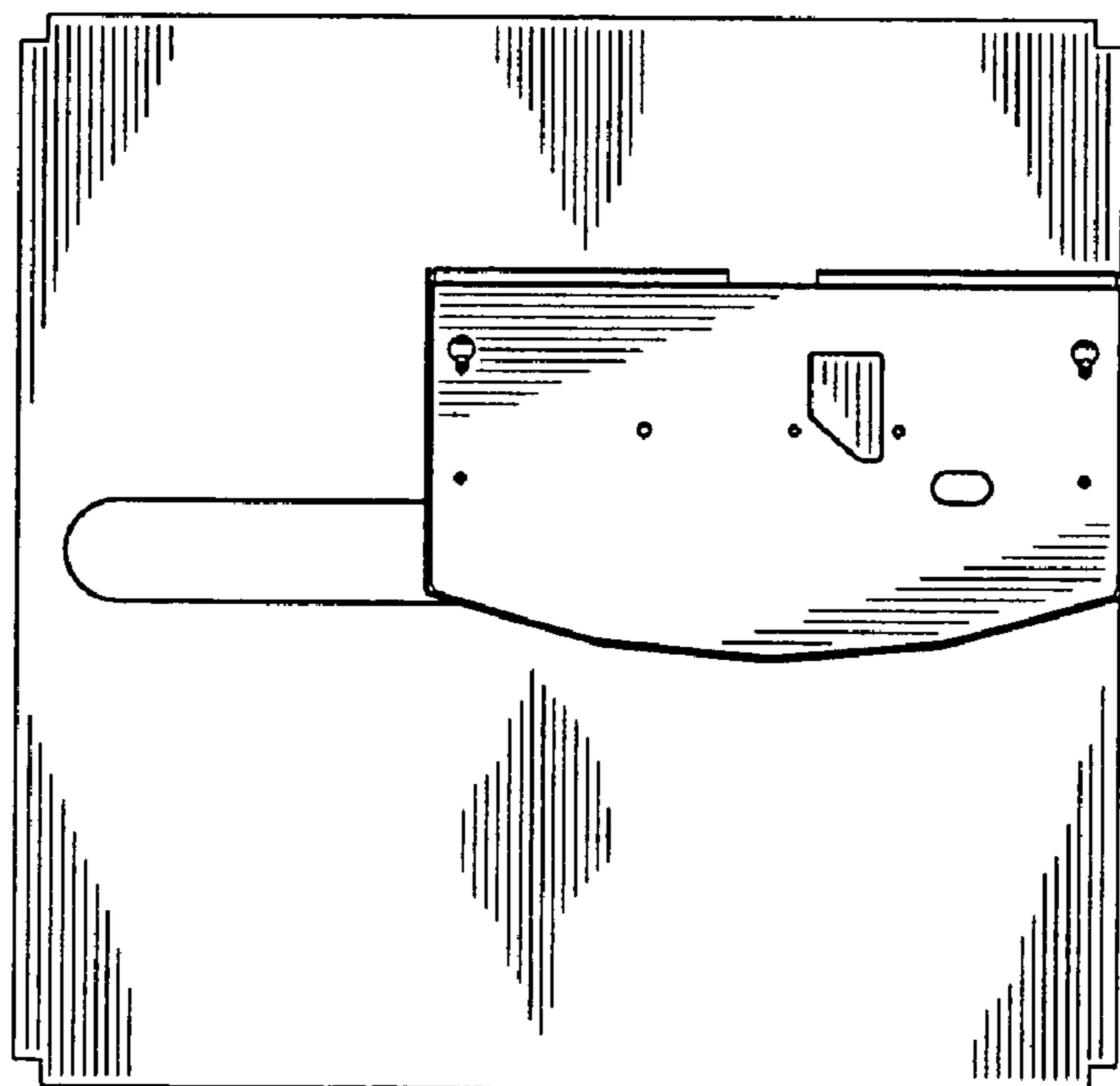


FIG. 7

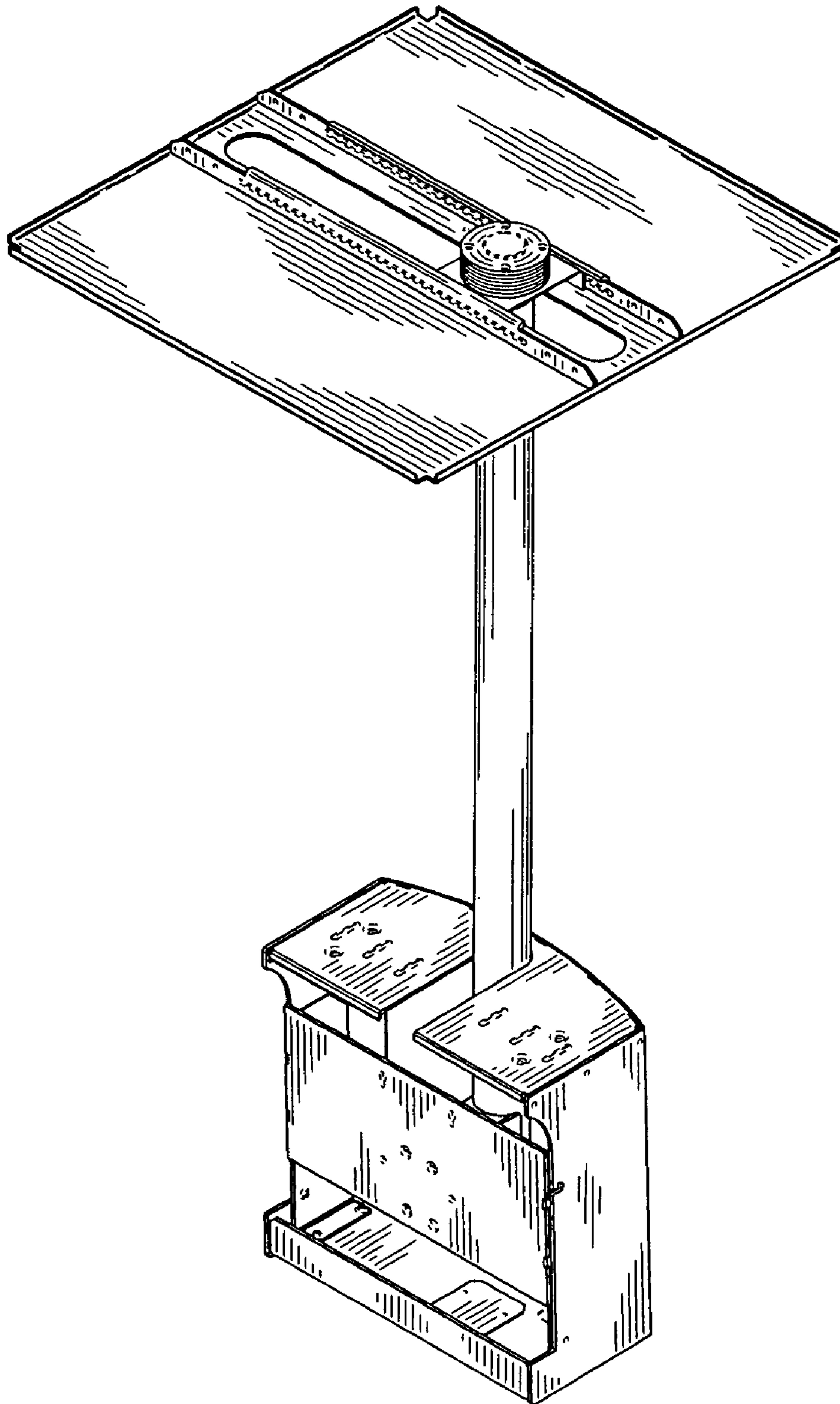


FIG. 8

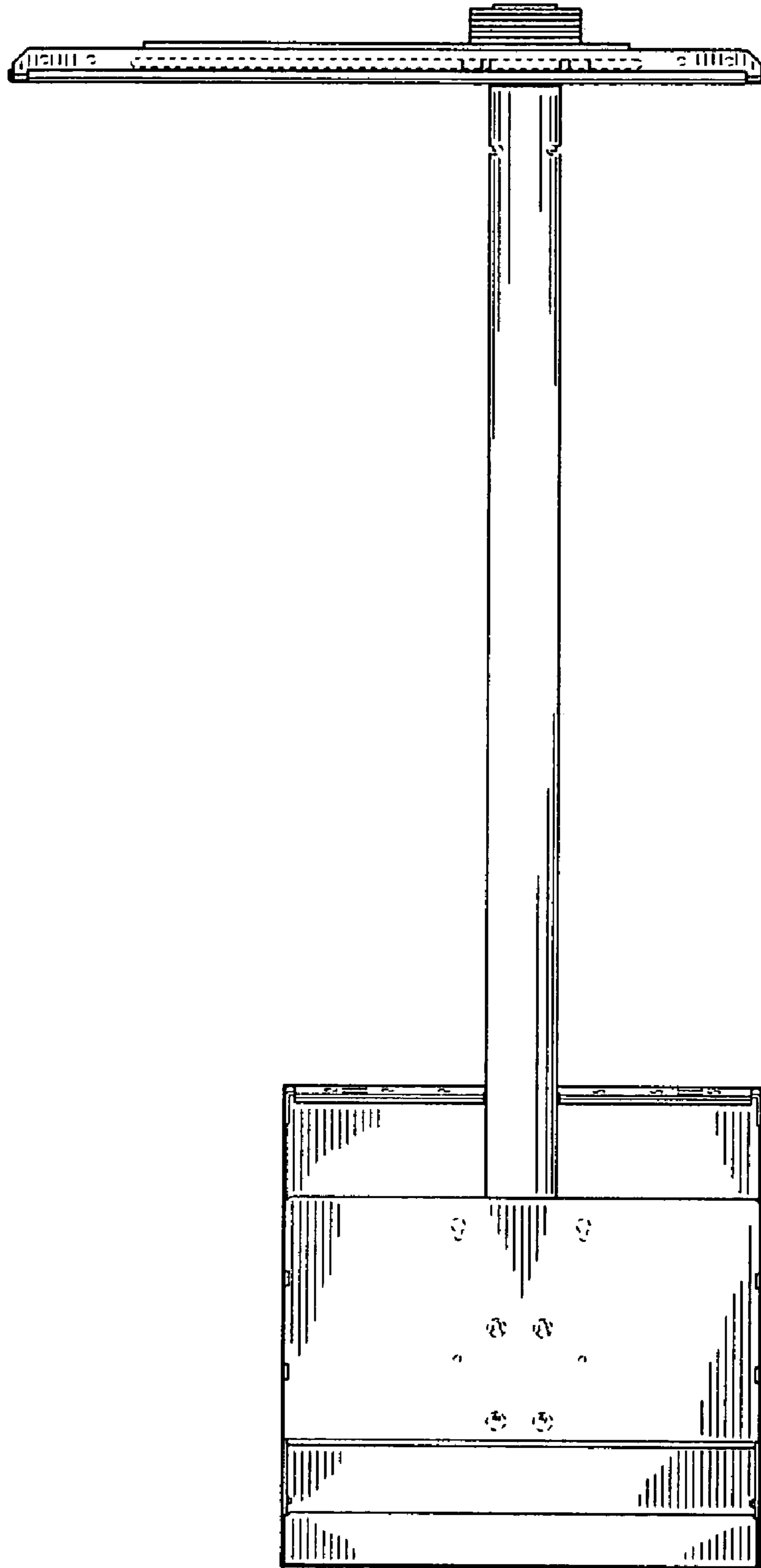


FIG. 9



FIG. 10

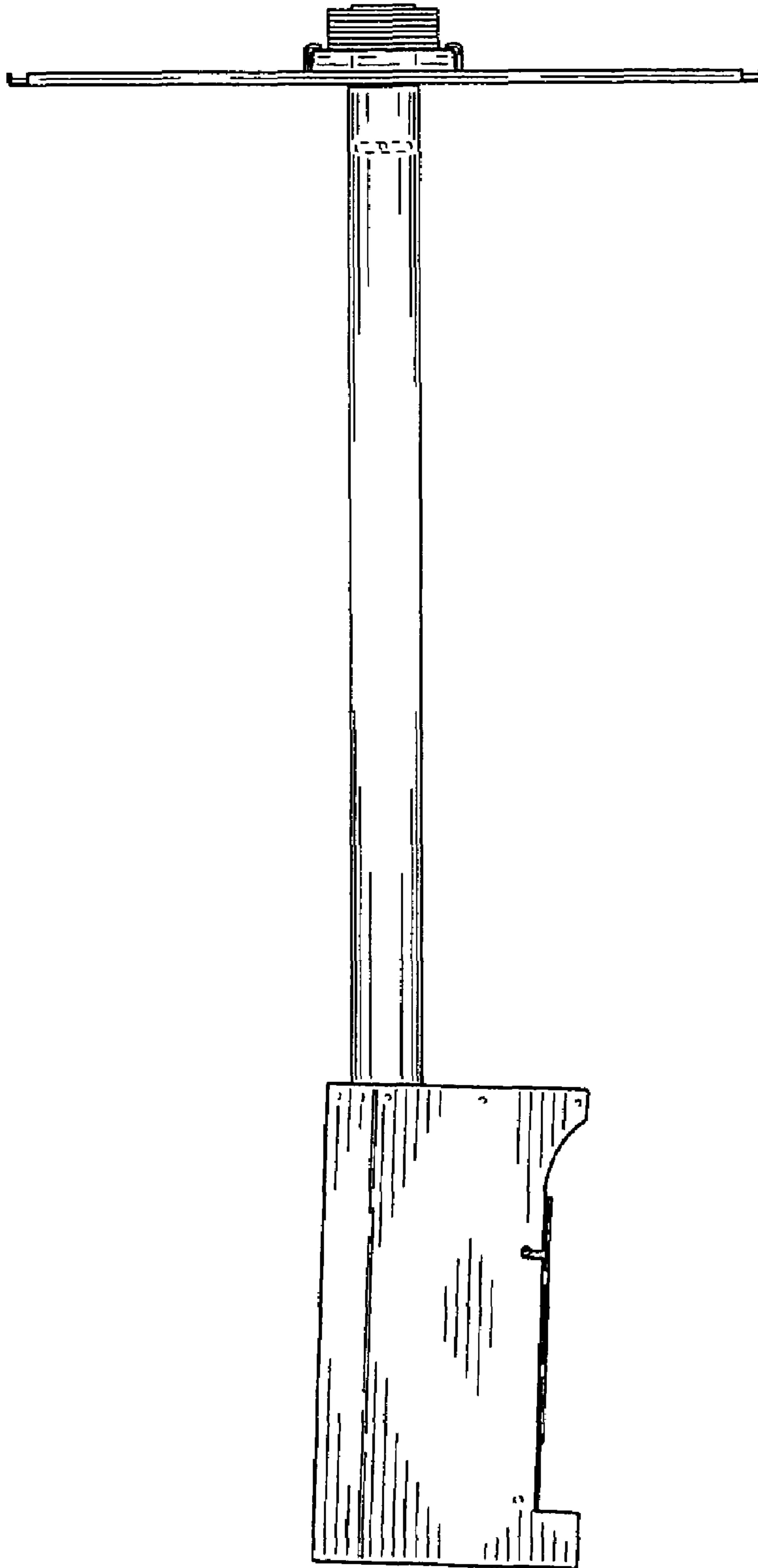


FIG. 11

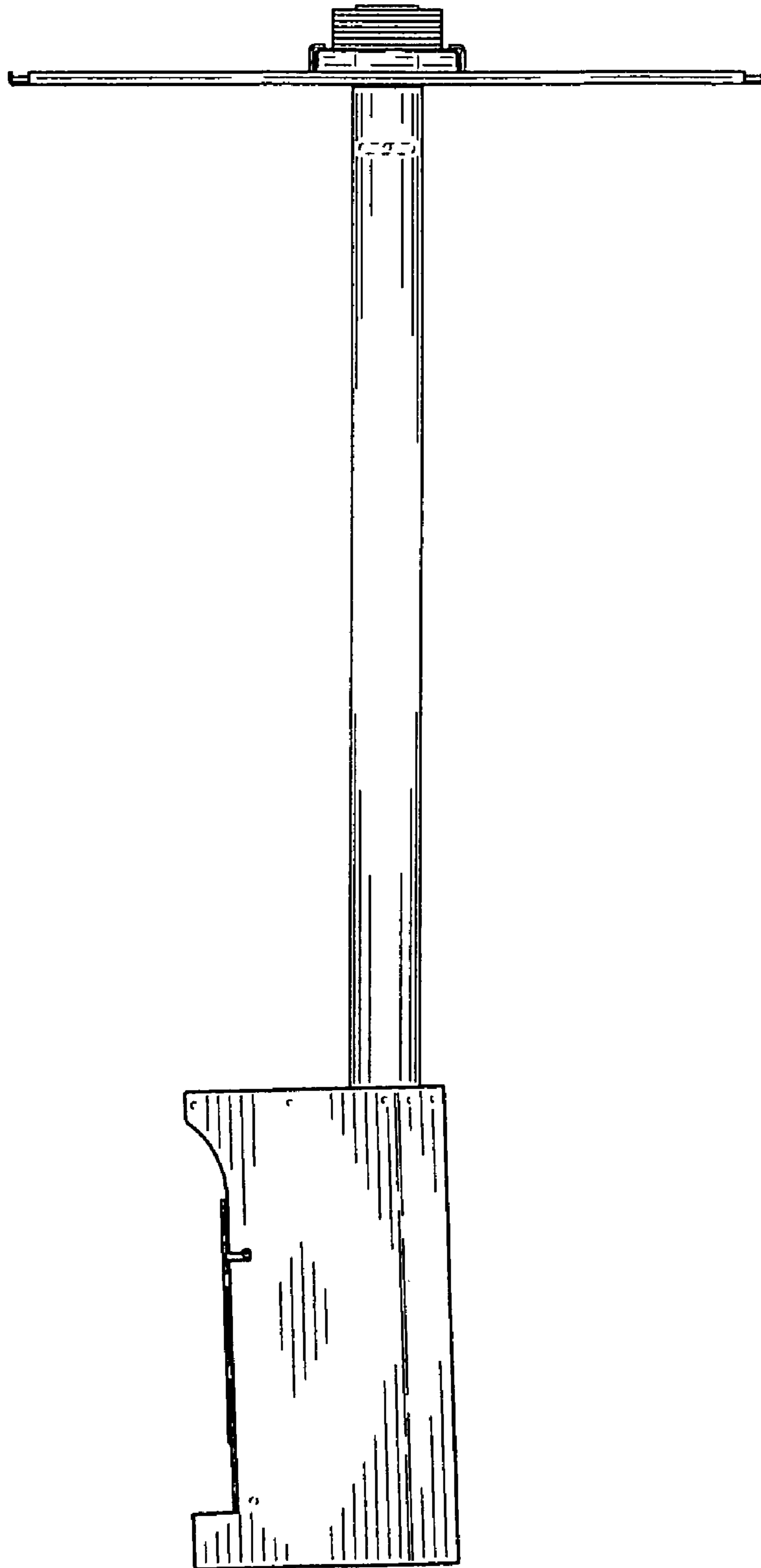


FIG. 12

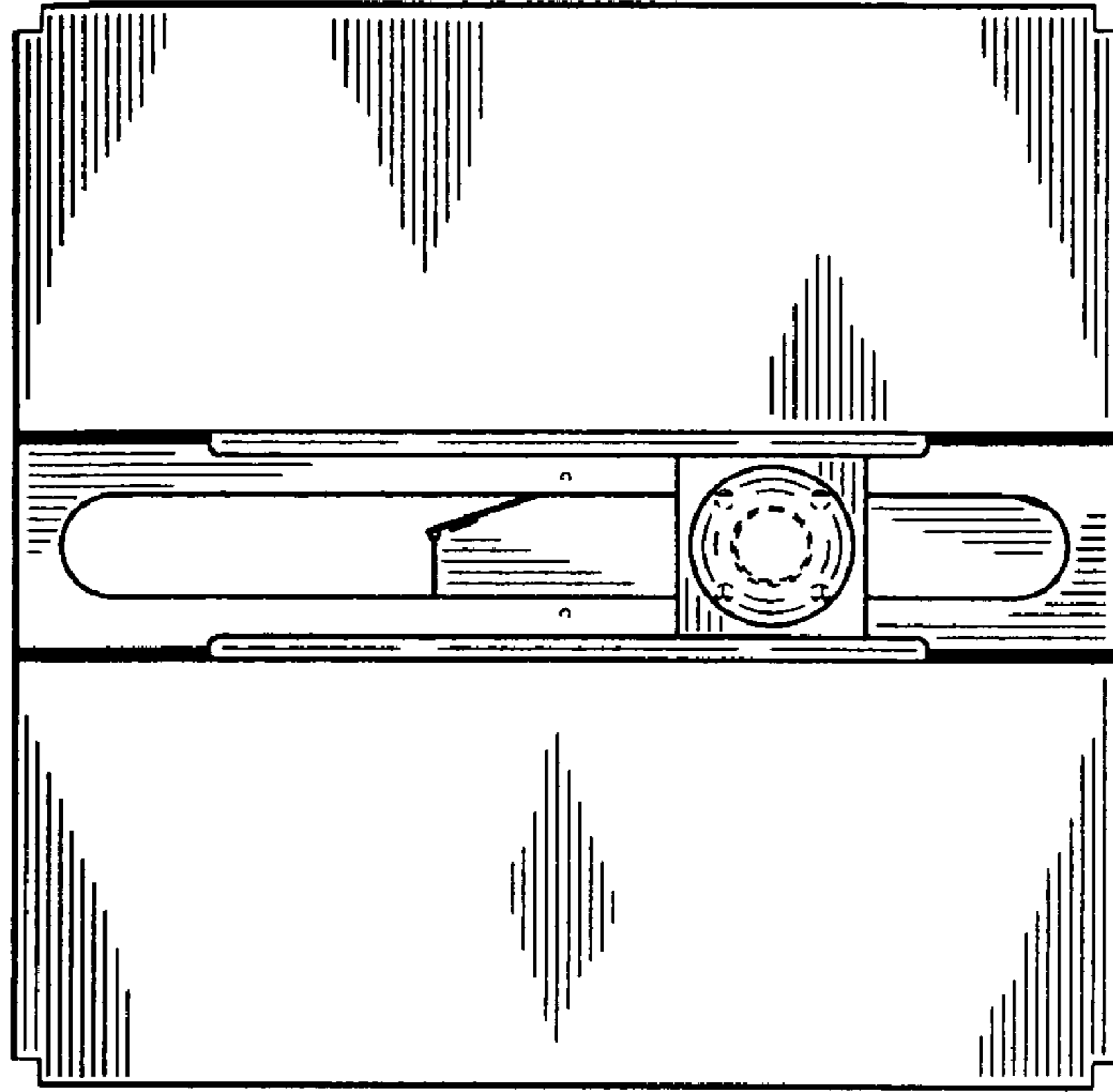


FIG. 13

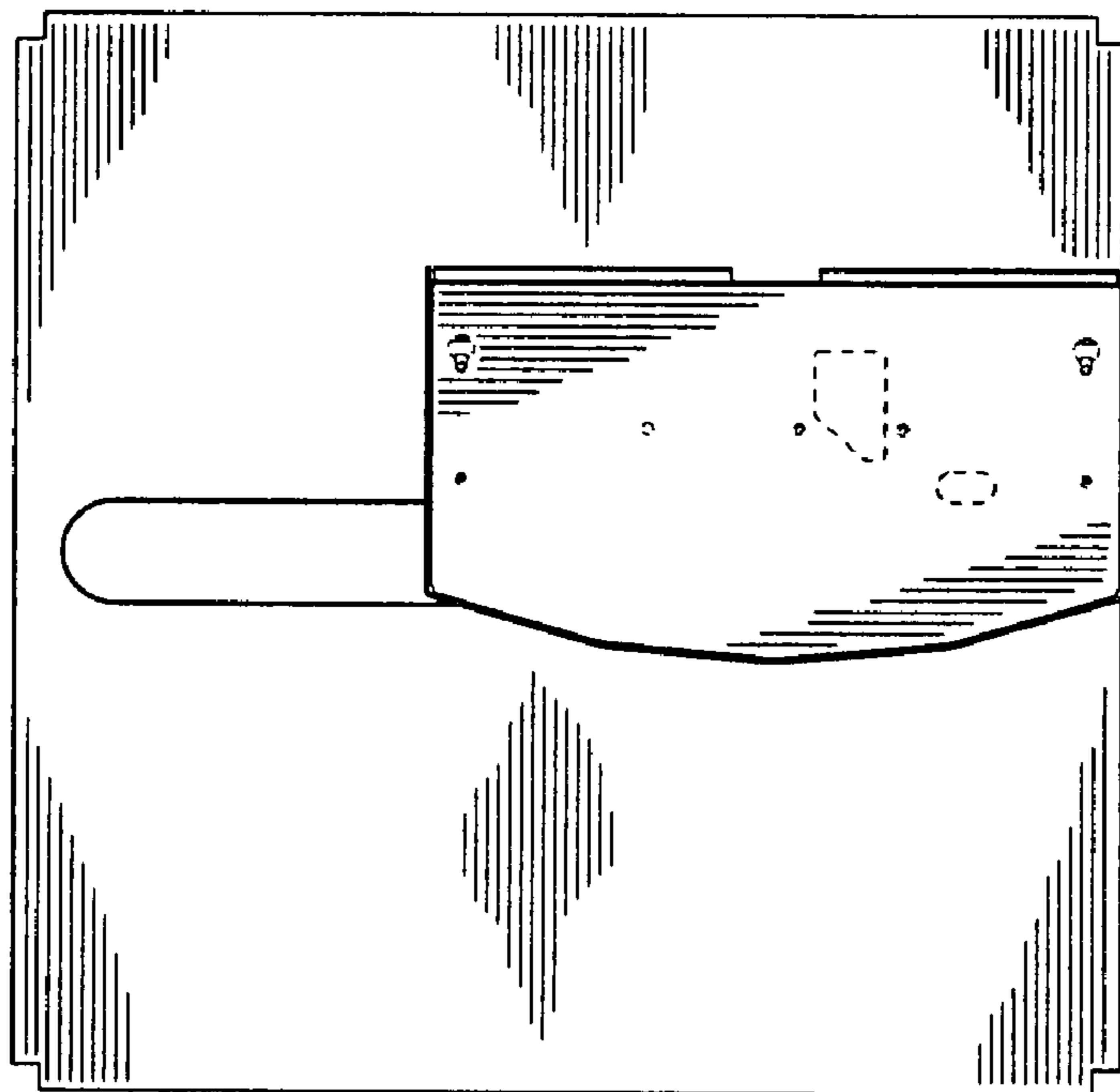


FIG. 14