

US00D568320S

(12) **United States Design Patent** (10) **Patent No.:** **US D568,320 S**
Katagiri et al. (45) **Date of Patent:** **** *May 6, 2008**

(54) **SUPPORTER FOR MONITOR OR TELEVISION**

(75) Inventors: **Ichiro Katagiri**, Tokyo (JP); **Yoshio Kajino**, Tokyo (JP); **Norihiko Yamato**, Tokyo (JP)

(73) Assignee: **Sony Corporation**, Tokyo (JP)

(*) Notice: This patent is subject to a terminal disclaimer.

(**) Term: **14 Years**

(21) Appl. No.: **29/241,810**

(22) Filed: **Nov. 2, 2005**

(30) **Foreign Application Priority Data**

May 2, 2005 (JP) D2005-013041

(51) **LOC (8) Cl.** **14-03**

(52) **U.S. Cl.** **D14/451**

(58) **Field of Classification Search** D14/217,
D14/224, 239, 251, 316, 356, 366, 375, 376,
D14/377, 434, 439, 447, 448, 451, 452, 454,
D14/455, 457, 469; D8/363, 323, 373, 349,
D8/394; 248/121, 122.1, 124.1, 125.1, 125.7,
248/126, 127, 128, 133, 178.1, 183.2, 346.01,
248/346.06, 346.03, 371, 441.1, 454, 455,
248/917, 918, 919, 920, 921, 922, 923, 924,
248/229.1, 226.11, 226.12, 231.9, 274.1,
248/304; 312/223.3, 223.6; 361/681, 683;
348/825, 827

See application file for complete search history.

(56) **References Cited**

U.S. PATENT DOCUMENTS

5,722,513 A * 3/1998 Rowan et al. 187/269
6,402,109 B1 * 6/2002 Dittmer 248/284.1
D463,409 S 9/2002 Niitsu

Primary Examiner—Jennifer Rivard
Assistant Examiner—Angela J Lee
(74) *Attorney, Agent, or Firm*—Rader, Fishman & Grauer, PLLC

(57) **CLAIM**

The ornamental design for a supporter for monitor or television, as shown and described.

DESCRIPTION

FIG. 1 is a perspective view of a supporter for monitor or television showing our new design;

FIG. 2 is a front elevational view thereof;

FIG. 3 is a rear elevational view thereof;

FIG. 4 is a right side elevational view thereof;

FIG. 5 is a left side elevational view thereof;

FIG. 6 is a top plan view thereof;

FIG. 7 is a bottom plan view thereof;

FIG. 8 is a perspective view thereof, wherein a back face portion of a supporter for monitor or television is lifted up;

FIG. 9 is a front elevational view thereof, wherein a back face portion of a supporter for monitor or television is lifted up;

FIG. 10 is a rear elevational view thereof, wherein a back face portion of a supporter for monitor or television is lifted up;

FIG. 12 is a right side elevational view thereof, wherein a back face portion of a supporter for monitor or television is lifted up;

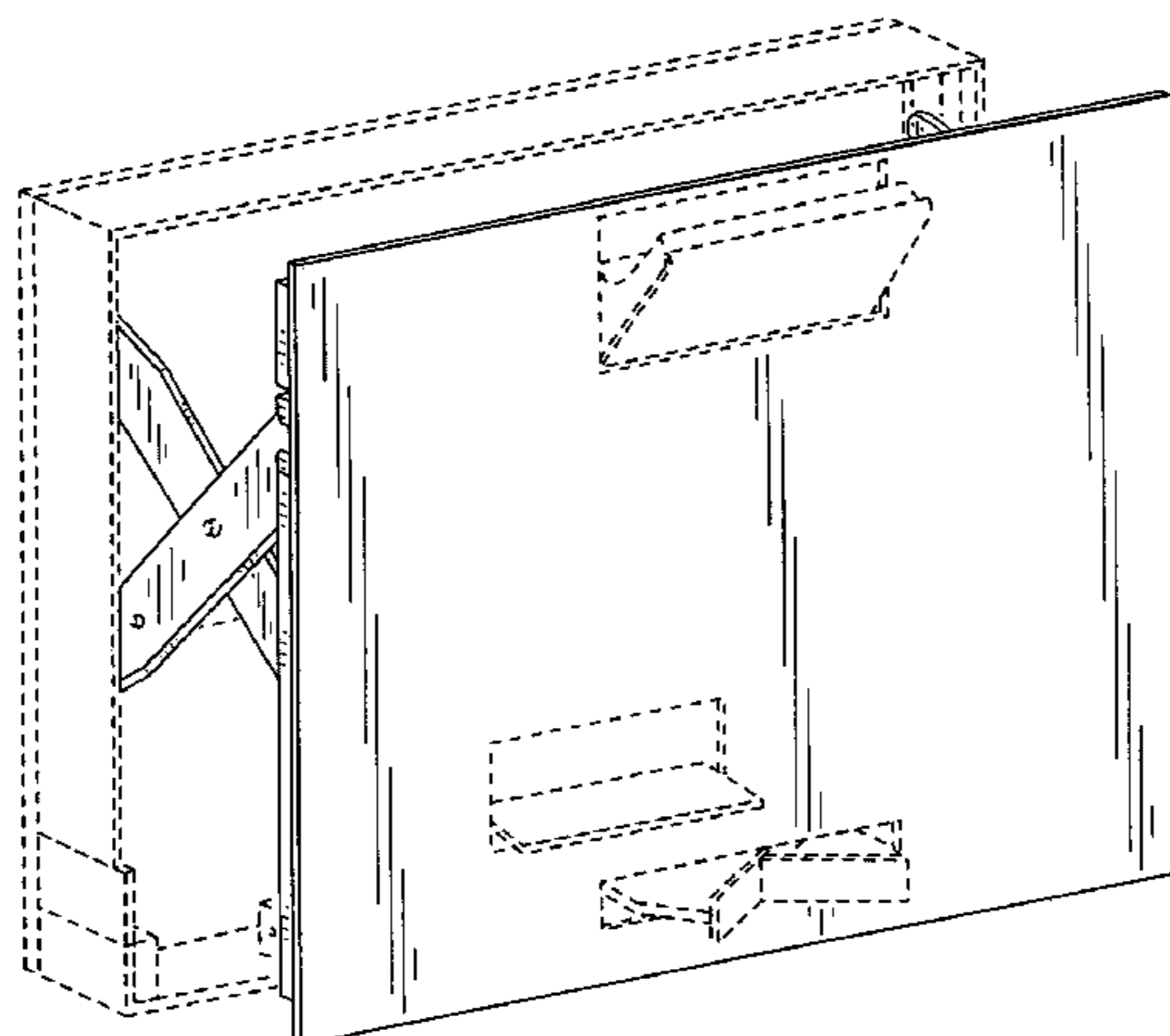
FIG. 13 is a top plan view thereof, wherein a back face portion of a supporter for monitor or television is lifted up; and,

FIG. 14 is a bottom plan view thereof, wherein a back face portion for a supporter for monitor or television is lifted up.

The broken line showing of the supporter for monitor or television forms no part of the claimed design.

(Continued)

1 Claim, 14 Drawing Sheets



US D568,320 S

Page 2

U.S. PATENT DOCUMENTS

6,615,551	B2 *	9/2003	Chesser et al.	52/36.4	2003/0201372	A1 *	10/2003	Dozier	248/286.1
D484,332	S	12/2003	Niitsu		2005/0087666	A1 *	4/2005	Hwang	248/371
6,905,101	B1 *	6/2005	Dittmer	248/274.1	2005/0127253	A1 *	6/2005	Kim	248/176.1
D544,868	S *	6/2007	Katagiri et al.	D14/451	2005/0133678	A1 *	6/2005	Dittmer	248/274.1
2002/0126443	A1 *	9/2002	Zodnik	361/683	2005/0248498	A1 *	11/2005	Webb et al.	343/880
2002/0179791	A1 *	12/2002	Kwon	248/284.1	2007/0023599	A1 *	2/2007	Fedewa	248/284.1

* cited by examiner

Fig. 1

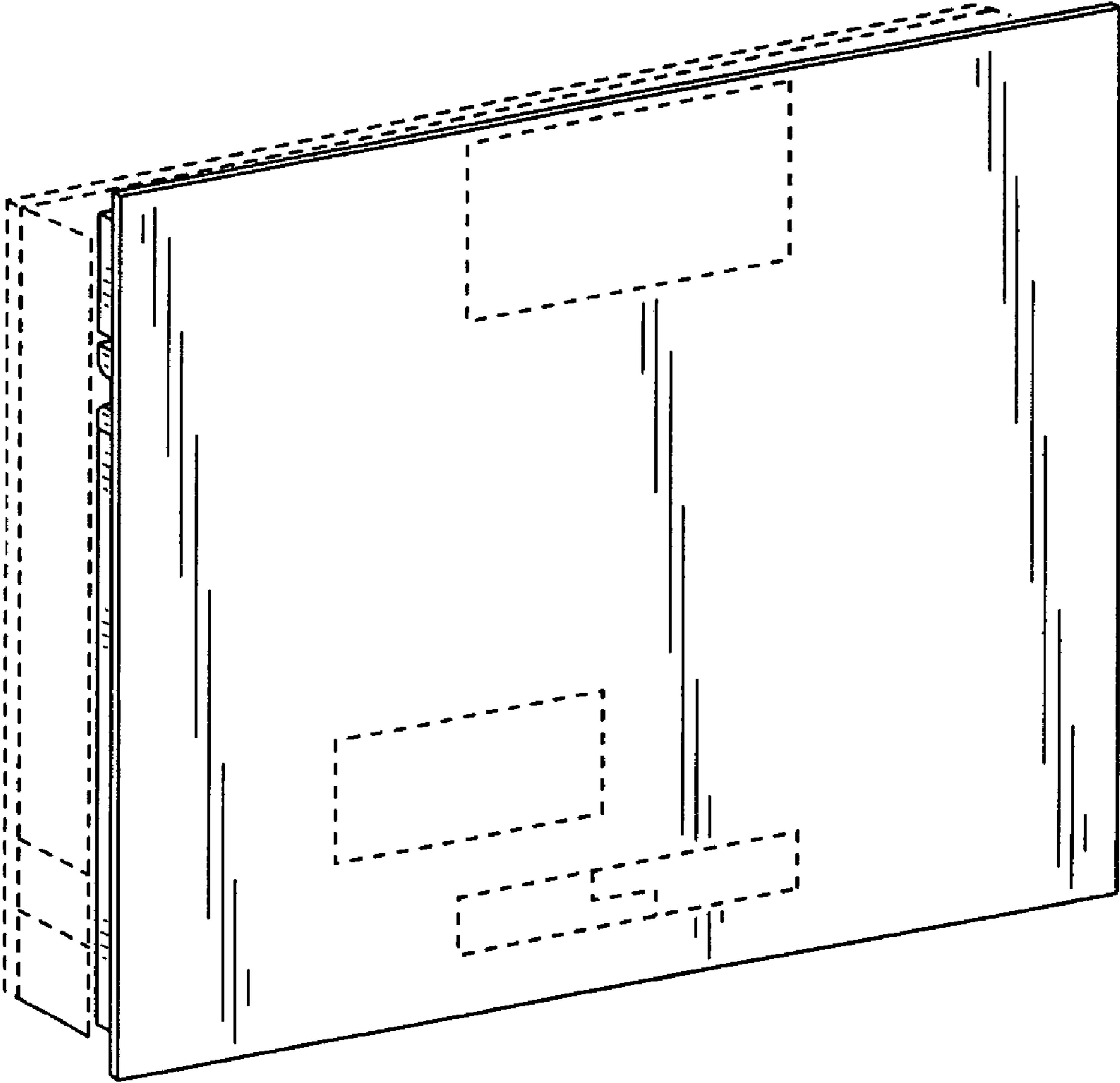


Fig.2

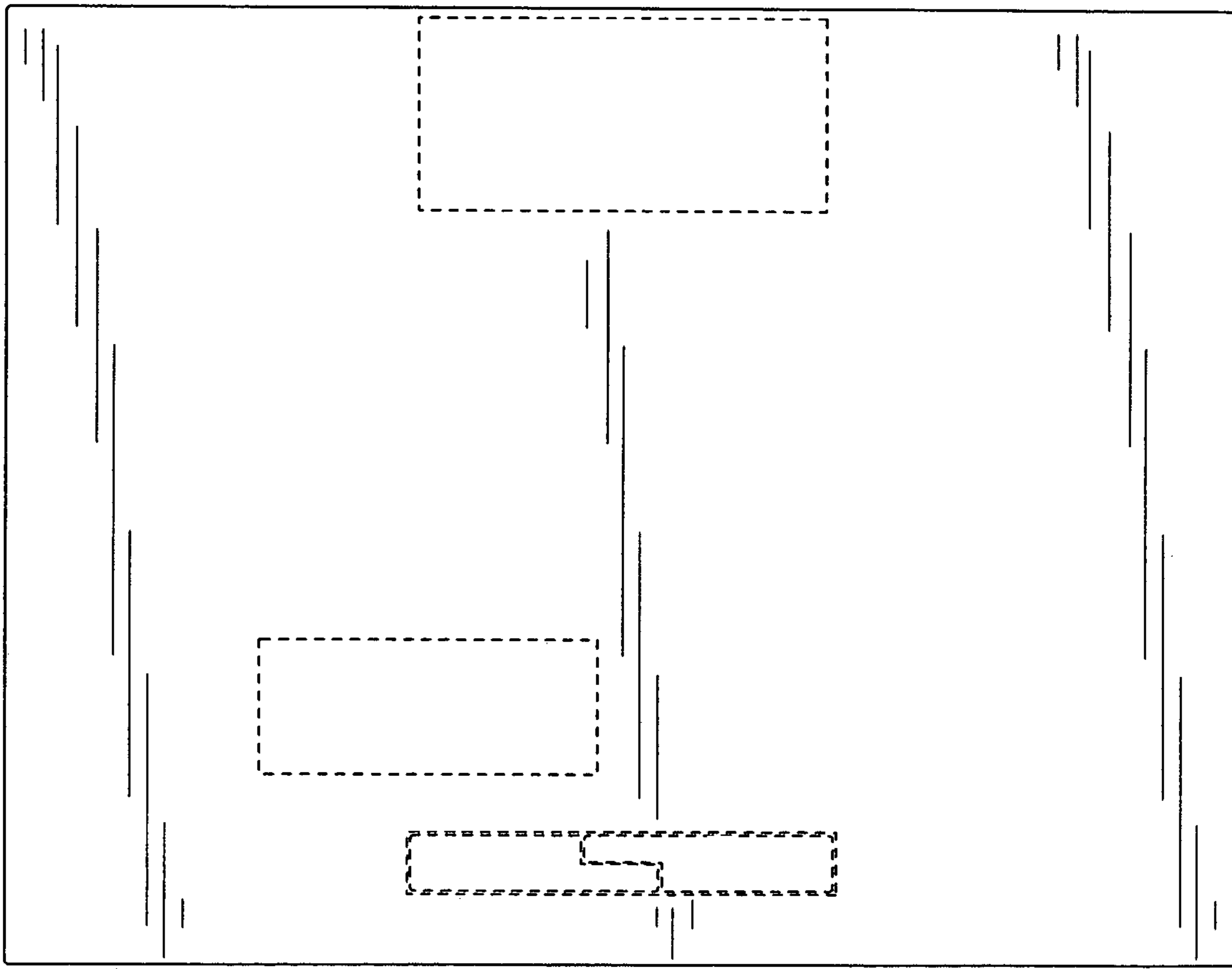


Fig.3

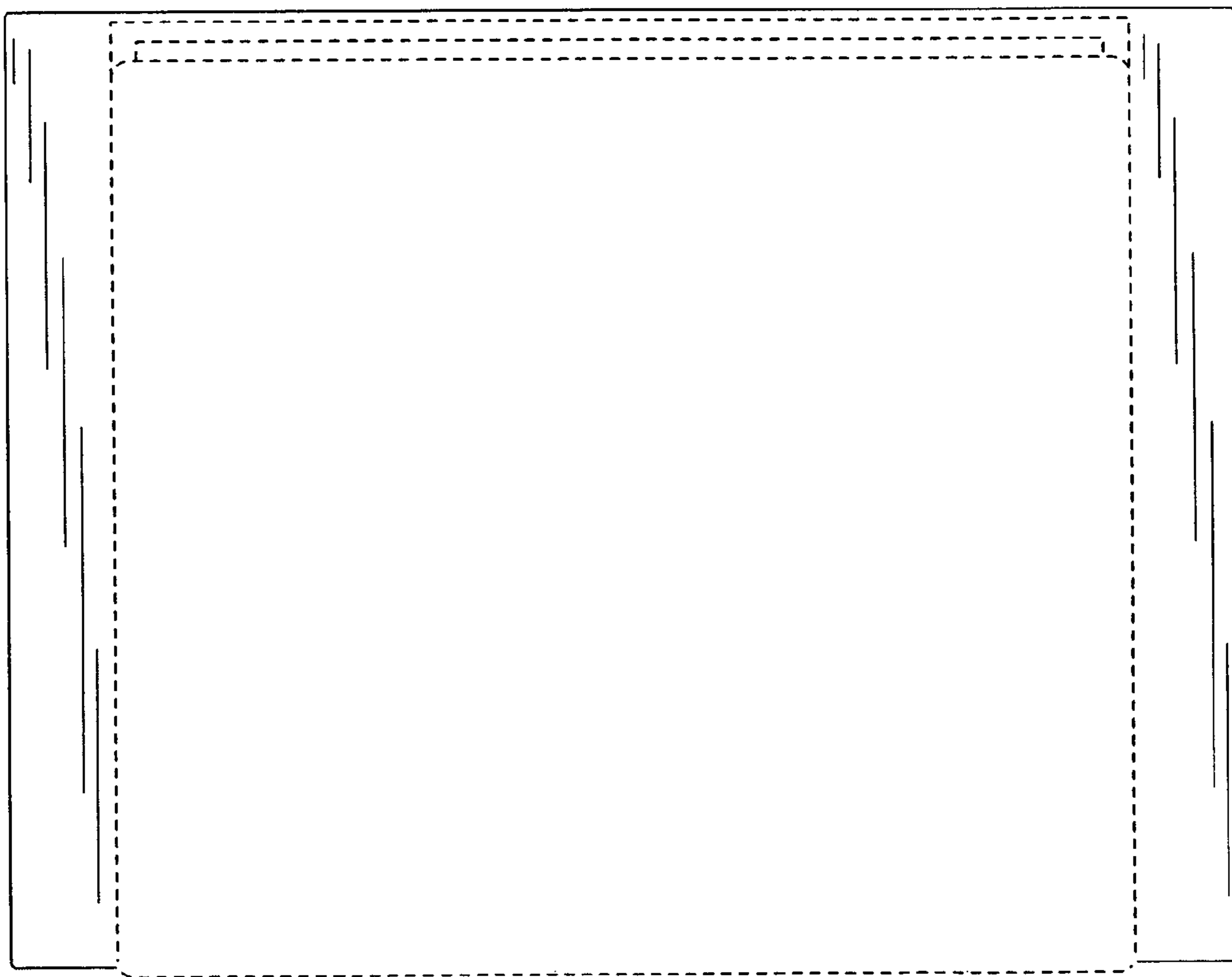


Fig.4

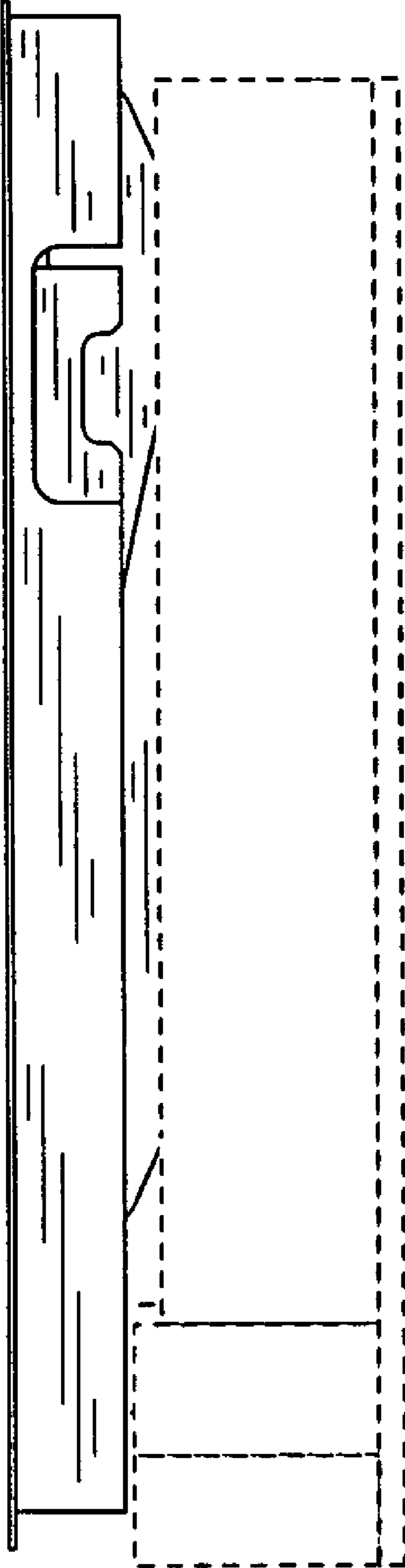


Fig.5

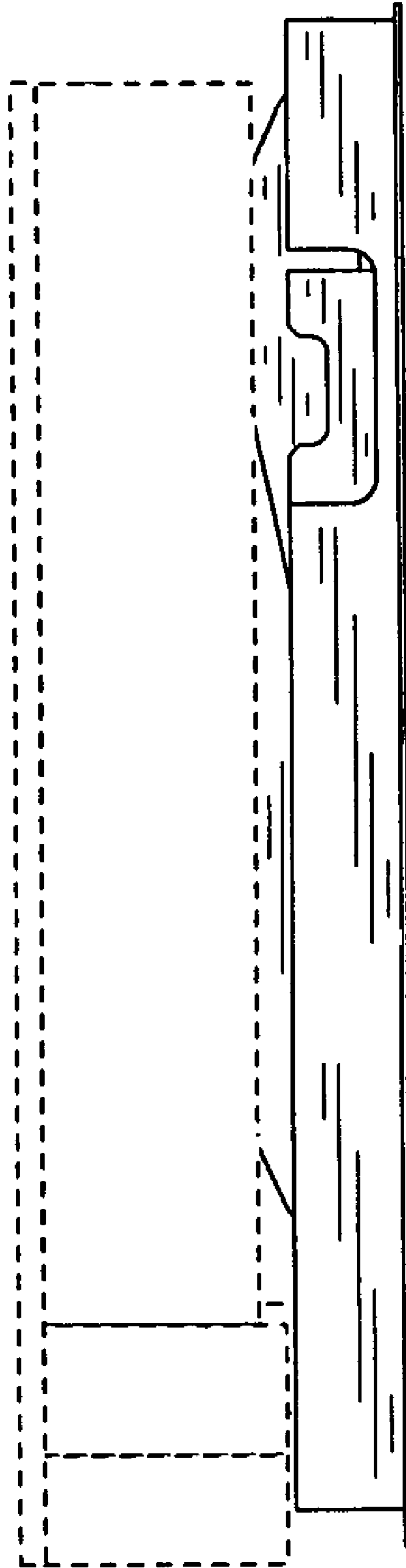


Fig.6

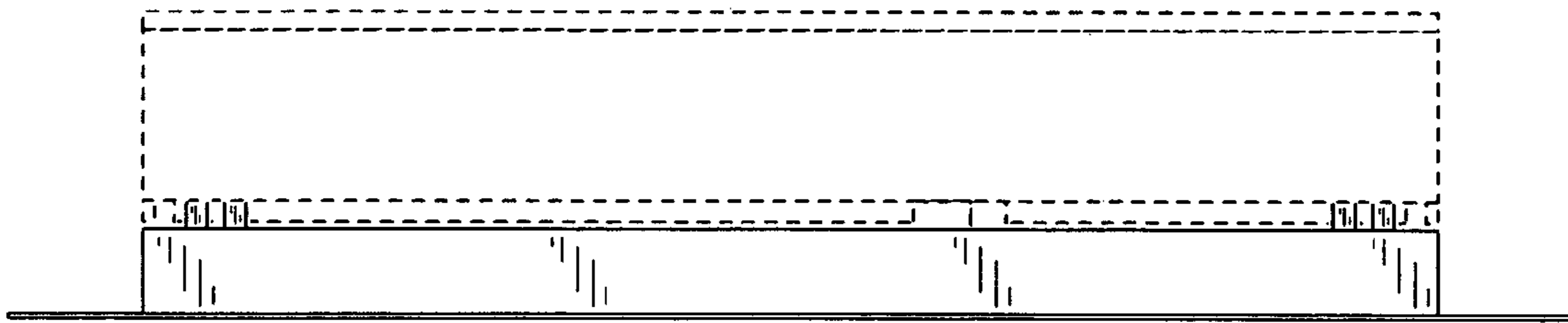


Fig.7

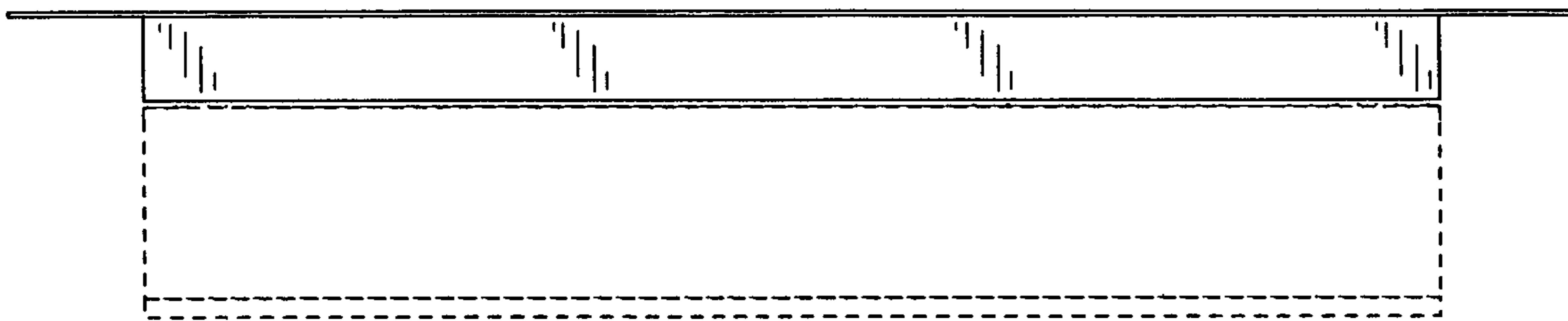


Fig.8

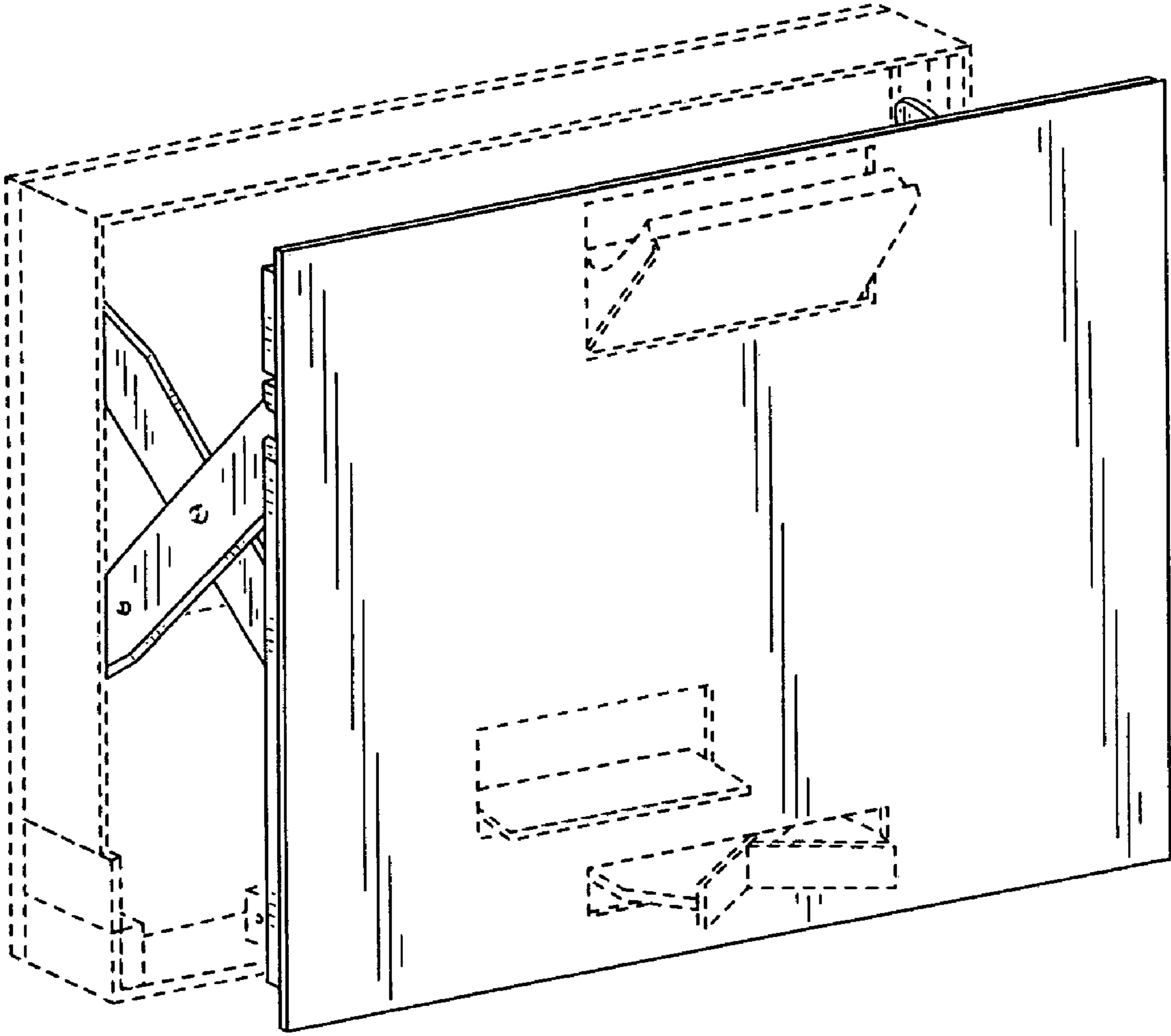


Fig.9

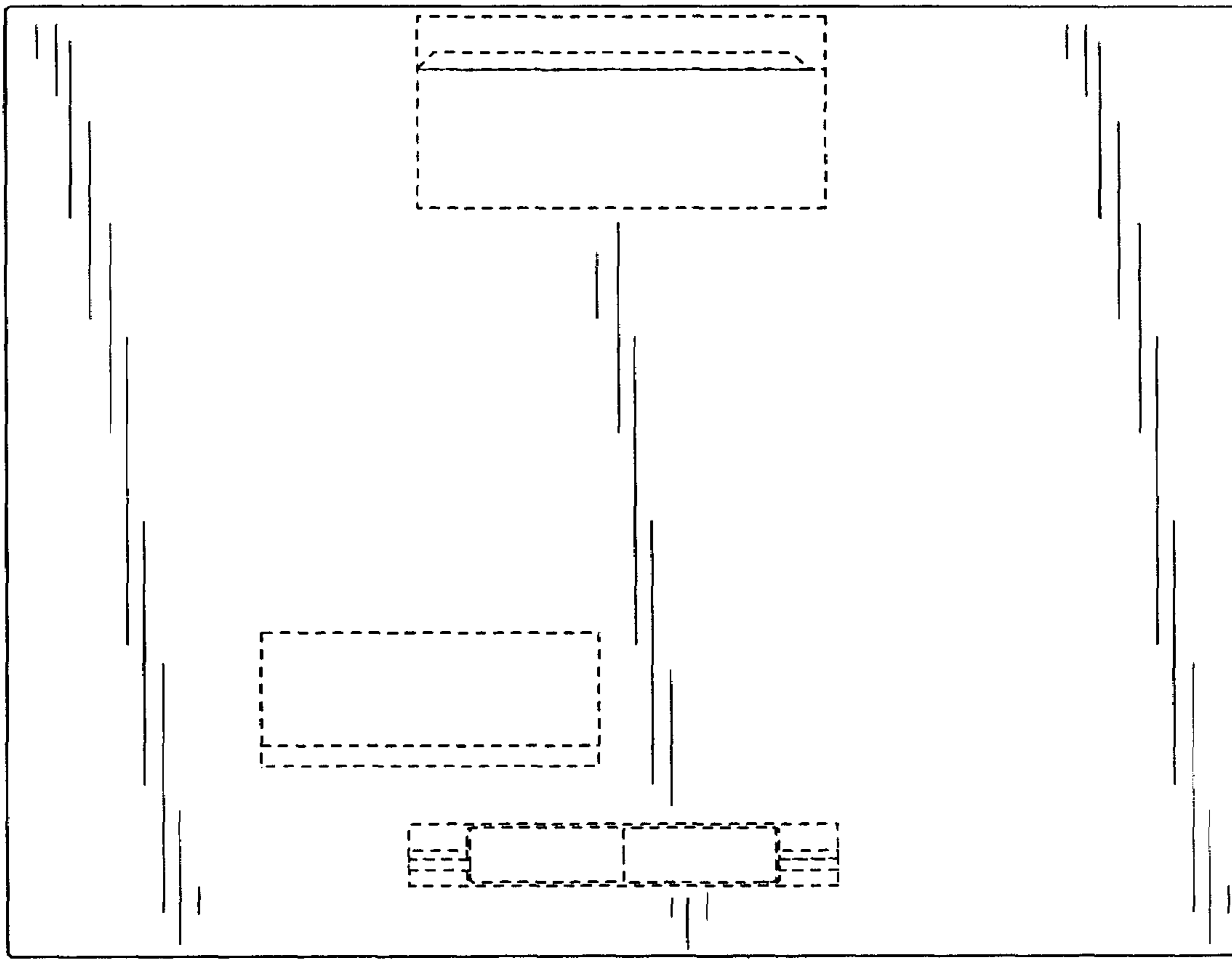


Fig.10

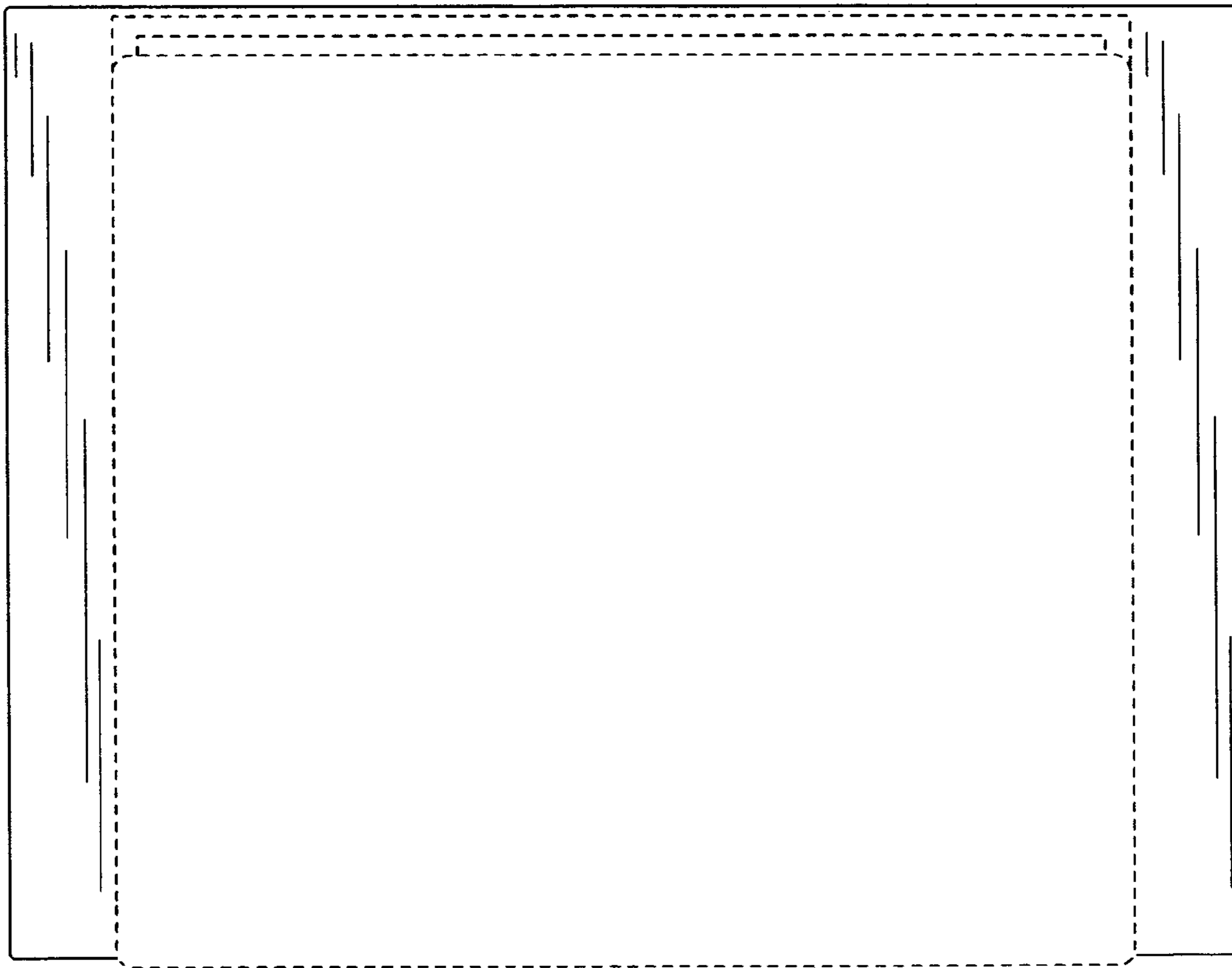


Fig. 11

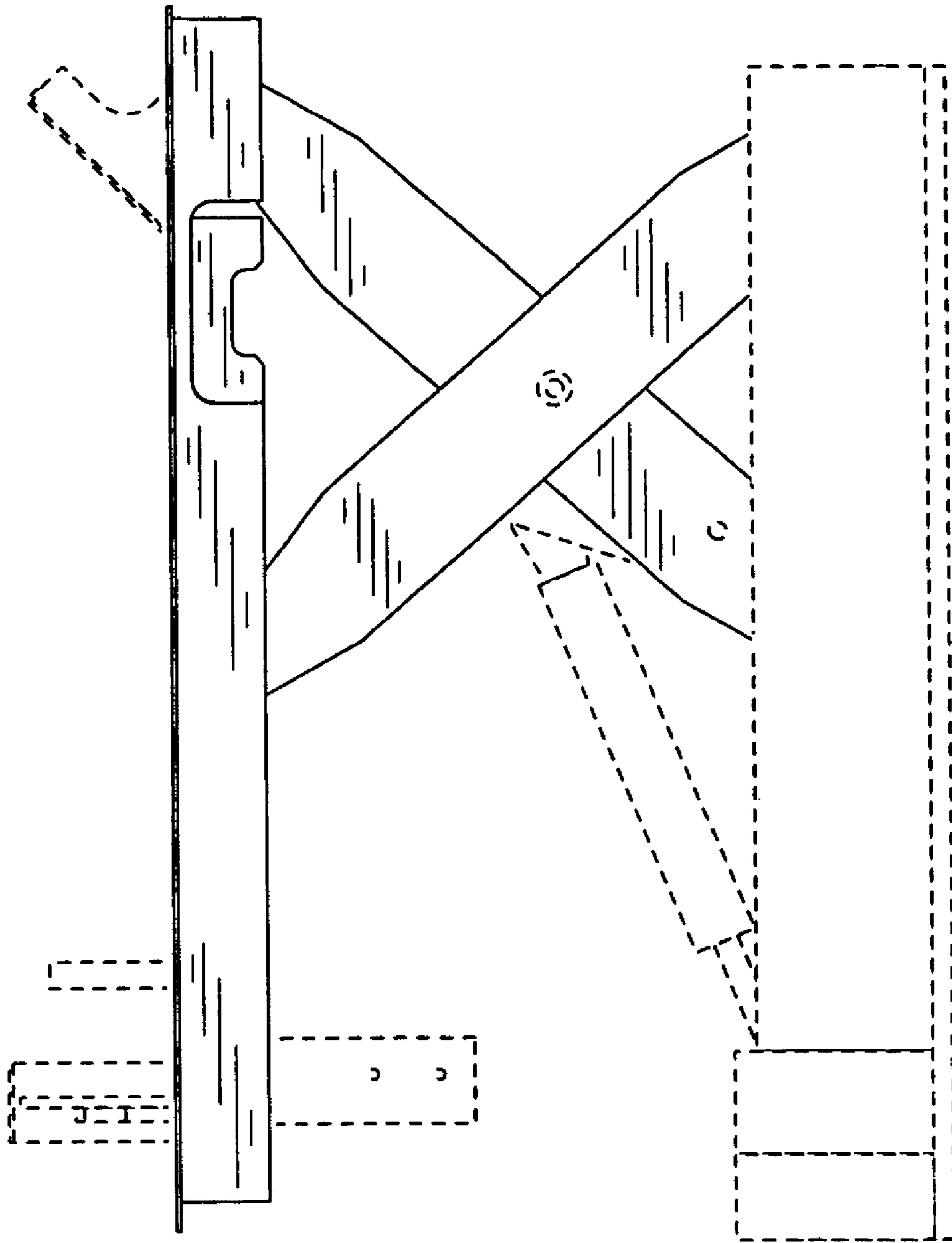


Fig. 12

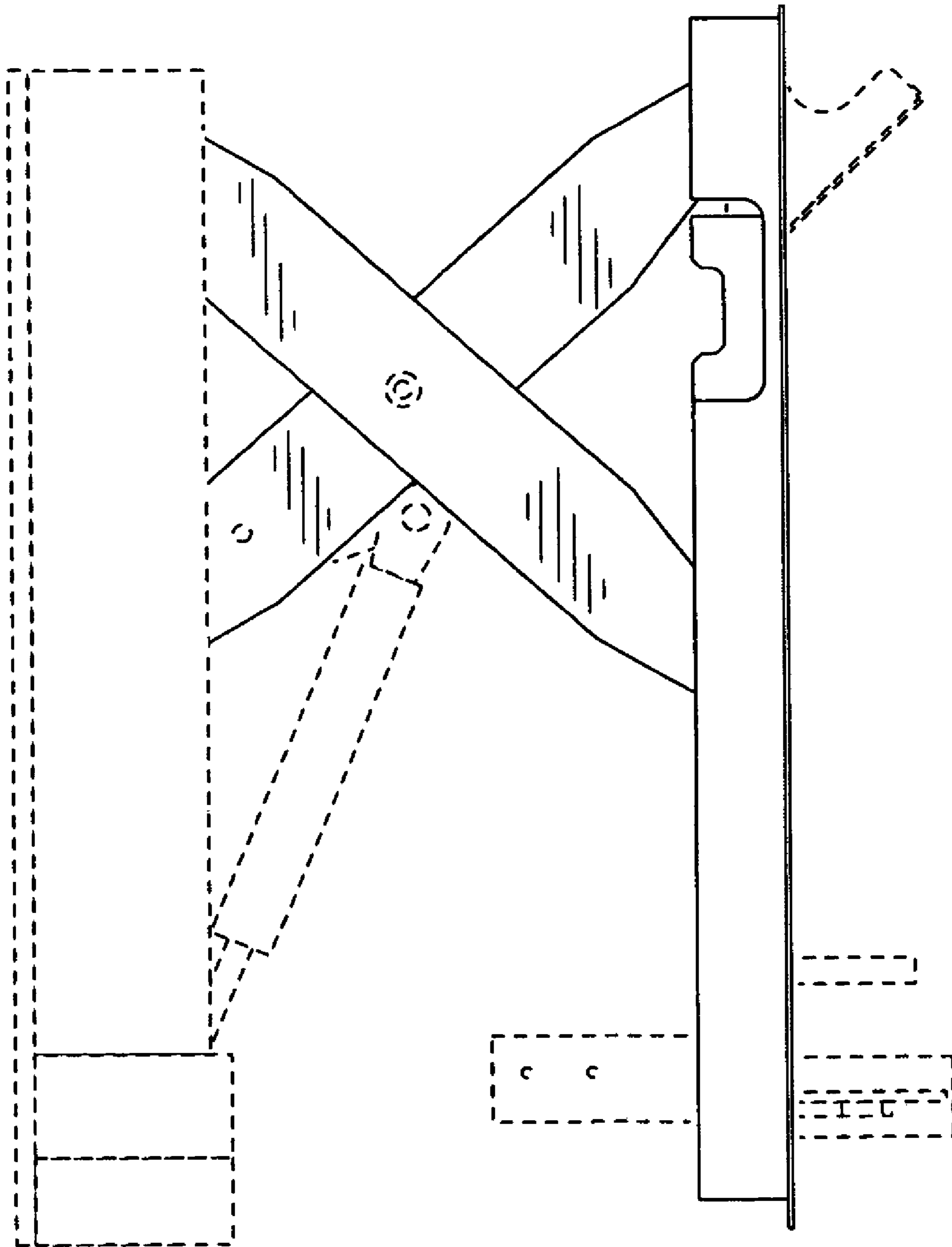


Fig.13

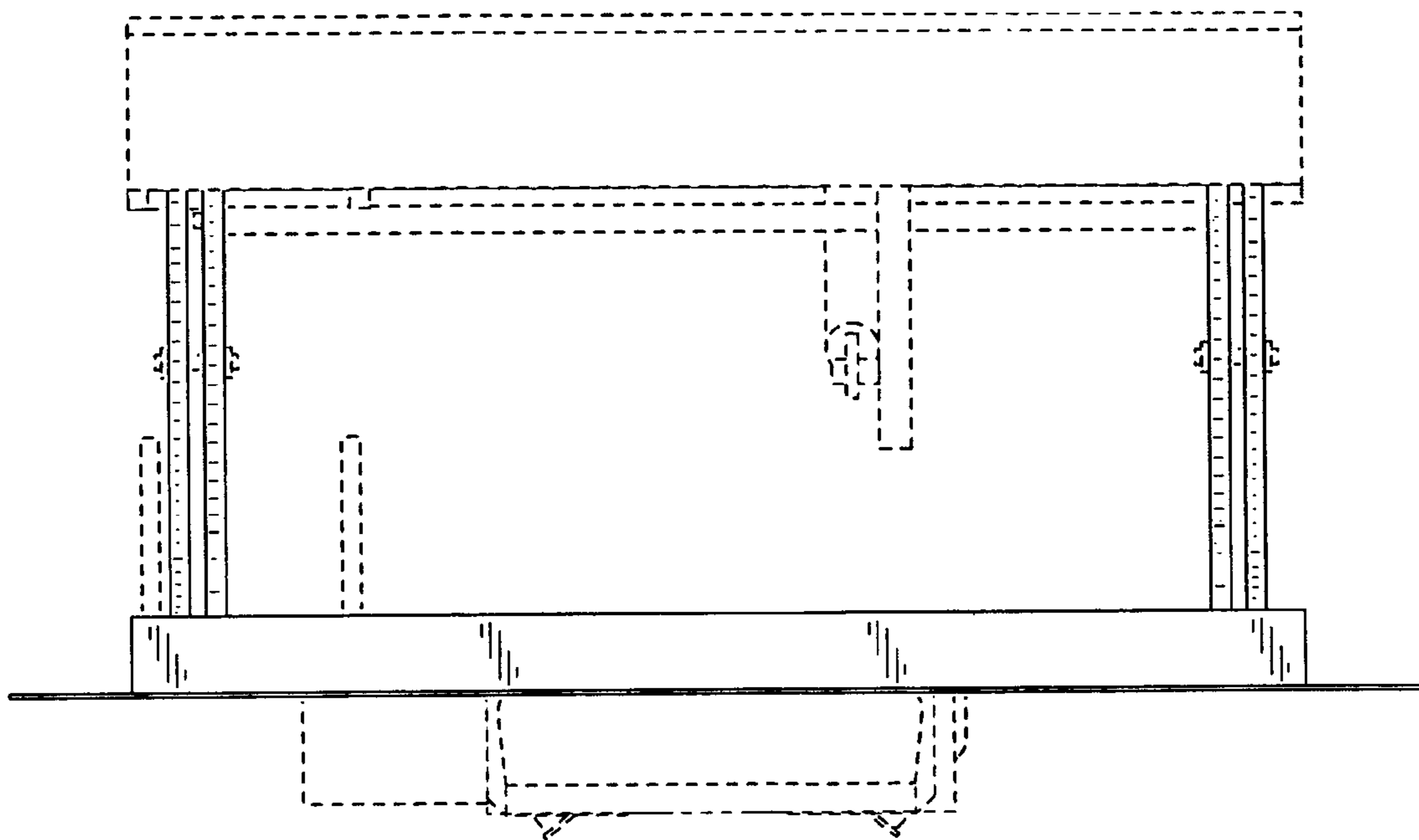


Fig.14

