

US00D568319S

(12) **United States Design Patent**
Chen et al.

(10) **Patent No.:** **US D568,319 S**

(45) **Date of Patent:** **** May 6, 2008**

(54) **COMPUTER FRONT BEZEL**

(75) Inventors: **Yun-Lung Chen**, Taipei Hsien (TW);
Ning-Bo Pan, Shenzhen (CN)

(73) Assignee: **Hon Hai Precision Industry Co., Ltd.**,
Tu-Cheng, Taipei Hsien (TW)

(**) Term: **14 Years**

(21) Appl. No.: **29/275,032**

(22) Filed: **Dec. 9, 2006**

(51) **LOC (8) Cl.** **14-02**

(52) **U.S. Cl.** **D14/444**

(58) **Field of Classification Search** D14/441-446;
D13/162, 184, 199; 312/223.2, 326; 361/680-686,
361/690-696, 727

See application file for complete search history.

(56) **References Cited**

U.S. PATENT DOCUMENTS

- 5,169,218 A * 12/1992 Chu 312/223.2
- D432,135 S * 10/2000 Jean et al. D14/444
- 6,478,392 B2 * 11/2002 Gan et al. 312/326
- 6,603,655 B2 * 8/2003 Hrehor et al. 361/683
- 6,798,664 B2 * 9/2004 Lin et al. 361/727
- D525,261 S * 7/2006 Li et al. D14/444

7,131,711 B2 * 11/2006 Chen 312/223.2

* cited by examiner

Primary Examiner—Freda S Nunn

(74) *Attorney, Agent, or Firm*—Wei Te Chung

(57) **CLAIM**

The ornamental design for a computer front bezel, as shown and described.

DESCRIPTION

FIG. 1 is a perspective view of the design for the computer front bezel wherein broken lines illustrate environmental features;

FIG. 2 is a front elevational view thereof;

FIG. 3 is a left side elevational view thereof;

FIG. 4 is a right side elevational view thereof;

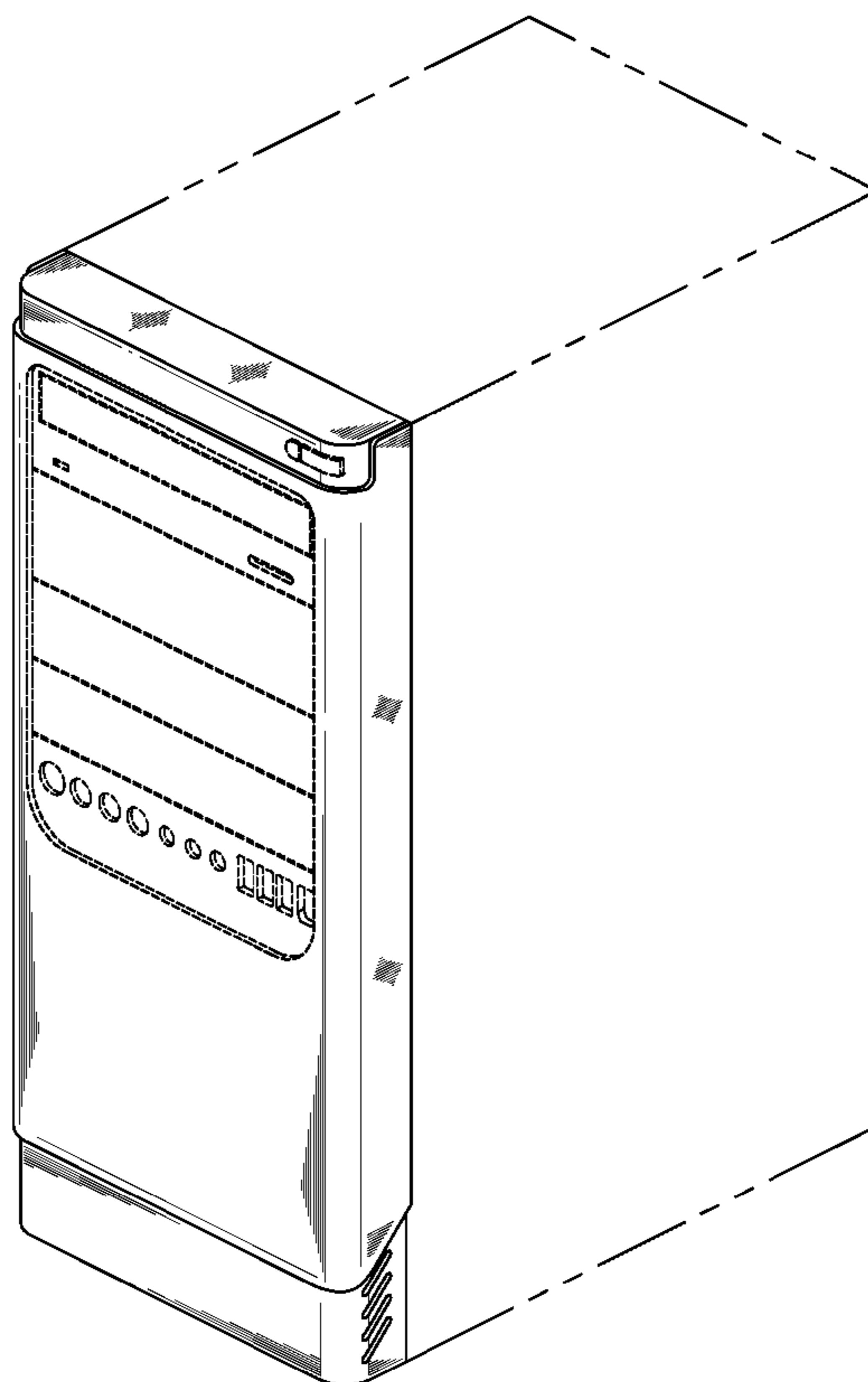
FIG. 5 is a top plan view thereof;

FIG. 6 is a bottom plan view thereof; and,

FIG. 7 is a perspective view thereof being mounted to a computer case which is shown in broken lines for illustrative purposes only and forms no part of the claimed design.

In these drawings the solid lines illustrate the claimed ornamental design whereas the broken lines illustrate environmental features that form no part of the claimed ornamental design.

1 Claim, 7 Drawing Sheets



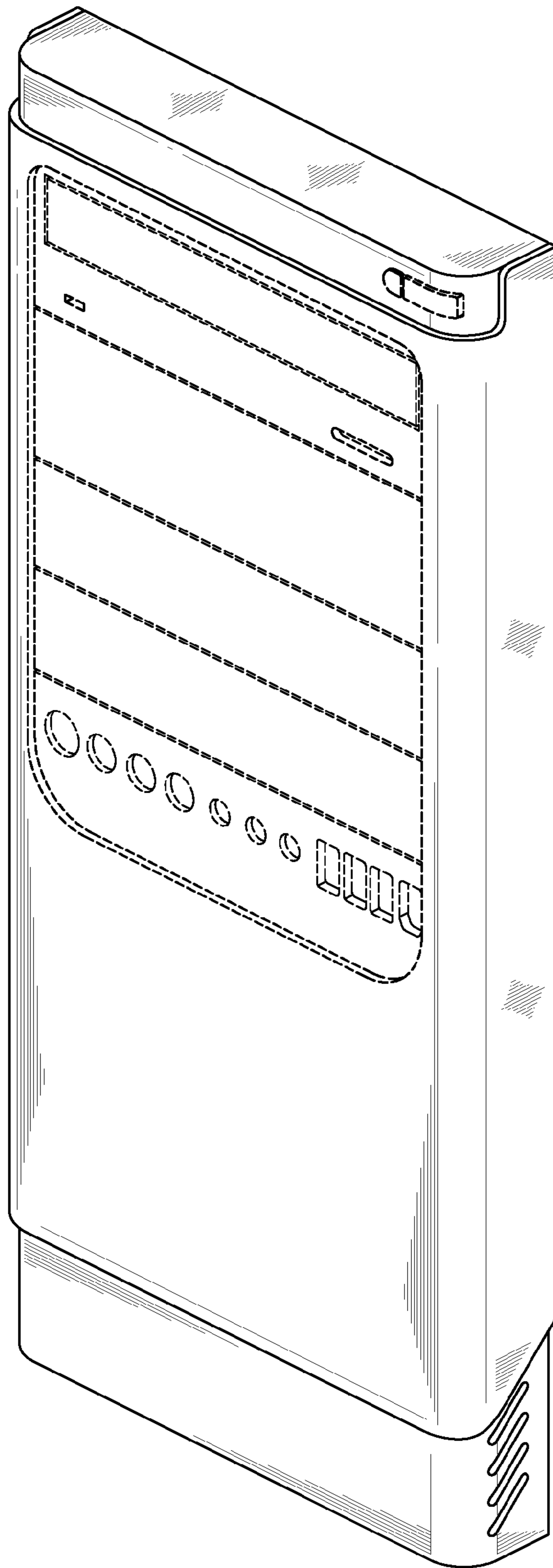


FIG. 1

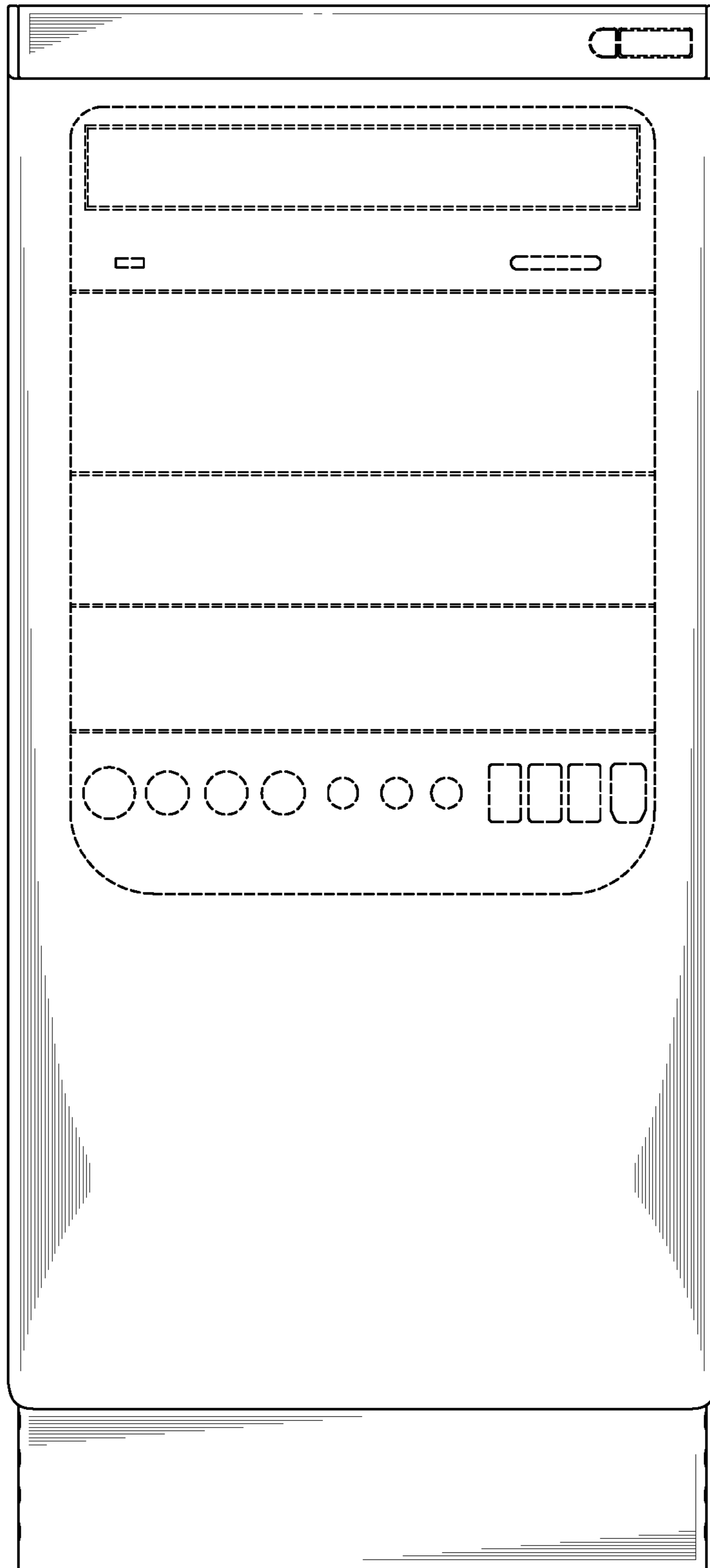


FIG. 2

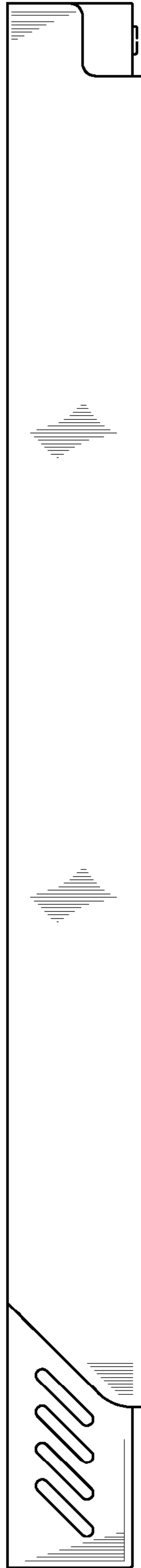


FIG. 3



FIG. 4



FIG. 5

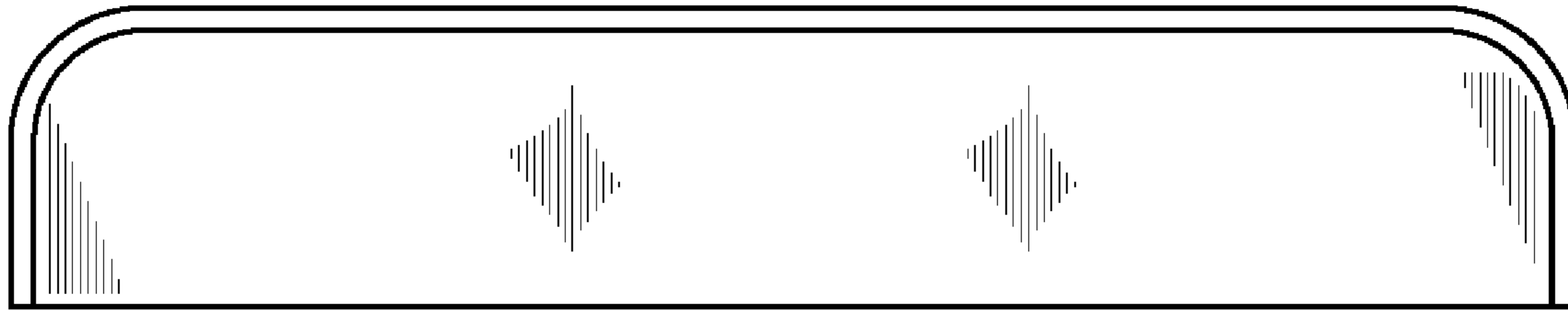


FIG. 6

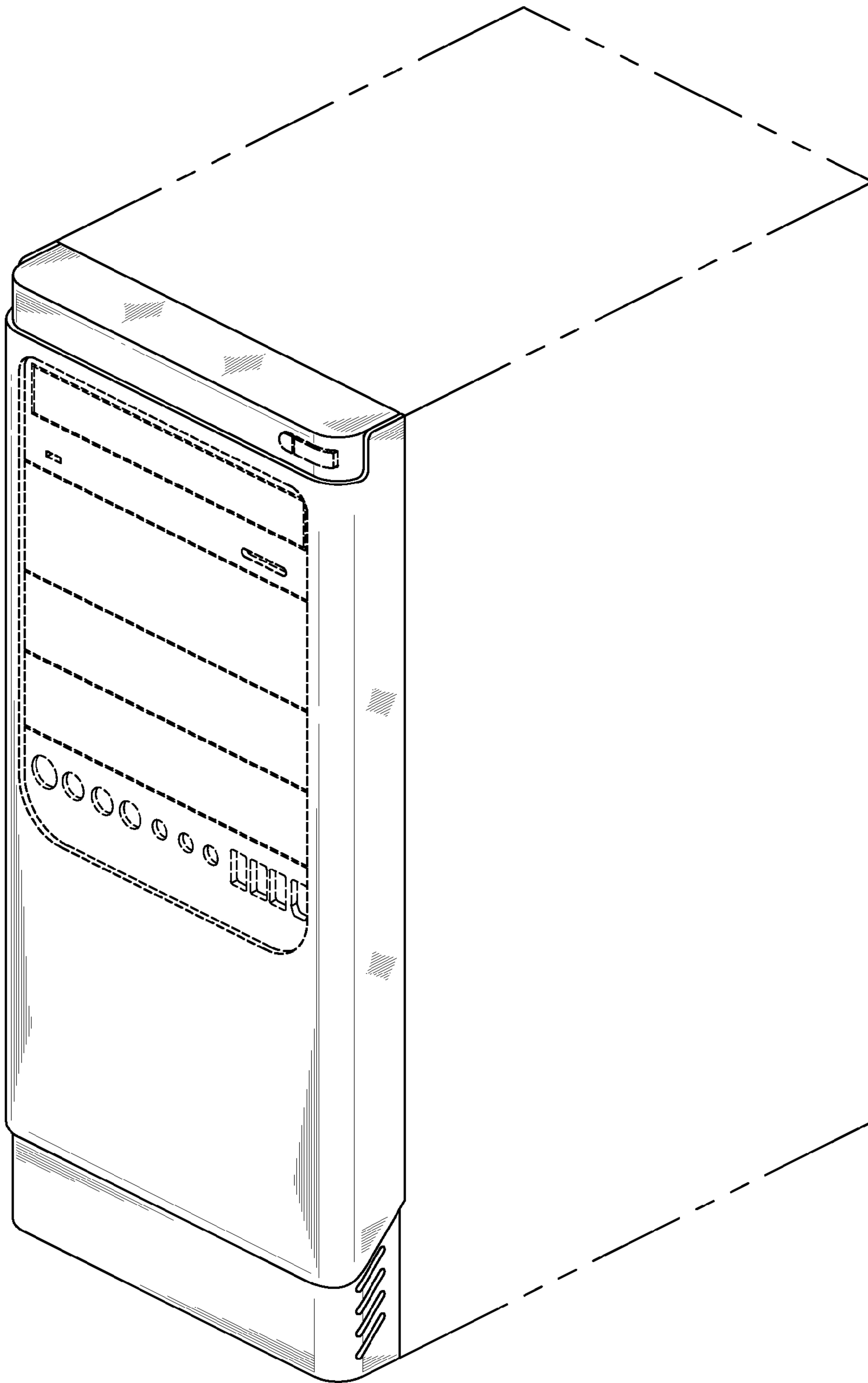


FIG. 7