

US00D568317S

(12) **United States Design Patent**
Lewis

(10) **Patent No.:** **US D568,317 S**

(45) **Date of Patent:** **** May 6, 2008**

(54) **BASE FOR A TOY**

D541,876 S * 5/2007 Avery D21/332

(75) Inventor: **Kate Lewis**, San Francisco, CA (US)

* cited by examiner

(73) Assignee: **Leapfrog Enterprises, Inc.**,
Emeryville, CA (US)

Primary Examiner—Prabhakar Deshmukh

Assistant Examiner—Keli' L. Acker

(**) Term: **14 Years**

(57) **CLAIM**

(21) Appl. No.: **29/260,728**

I claim the ornamental design for a base for a toy, as shown and described.

(22) Filed: **May 30, 2006**

DESCRIPTION

(51) **LOC (8) Cl.** **14-03**

(52) **U.S. Cl.** **D14/413; D21/332**

(58) **Field of Classification Search** D14/413,
D14/217, 218, 300, 356, 388, 399, 400, 401,
D14/412, 414–416, 432, 434, 454–457; D21/324,
D21/329, 331–333; 273/148 B, 148 R; 463/1,
463/30, 36–38, 46, 47; 345/156–161
See application file for complete search history.

FIG. 1 is an upper left front perspective view of a first embodiment of a base for a toy showing my new design, with the toy shown in dashed lines for illustrative purposes only and forms no part of the claimed design;

FIG. 2 is an upper left front perspective view thereof;

FIG. 3 is an upper right rear perspective view thereof;

FIG. 4 is a front elevational view thereof;

FIG. 5 is a right side elevational view thereof, the left side being a mirror image;

FIG. 6 is a rear elevational view thereof;

FIG. 7 is top plan view thereof; and,

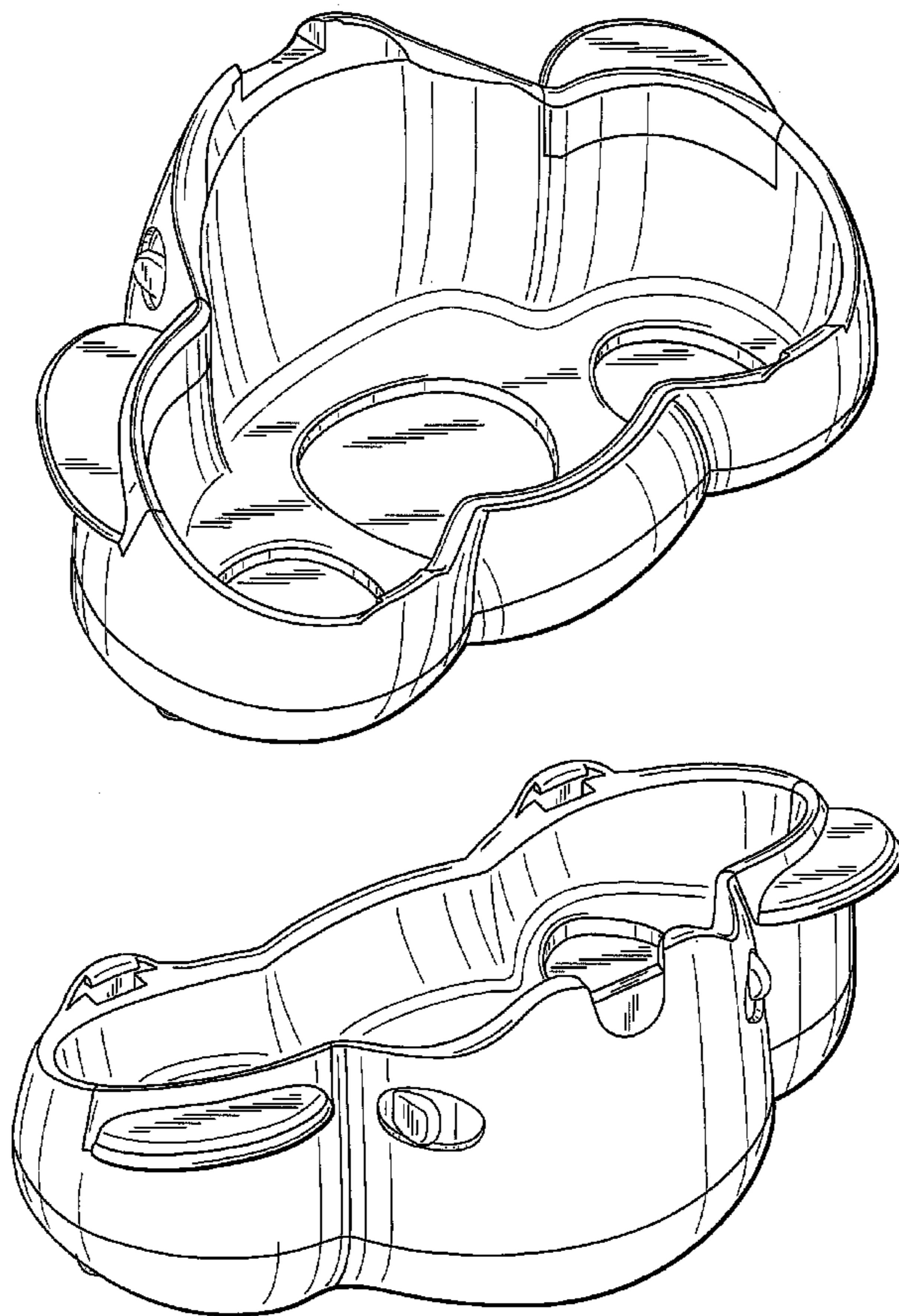
FIG. 8 is a bottom plan view thereof.

(56) **References Cited**

U.S. PATENT DOCUMENTS

D367,295 S *	2/1996	Hsieh	D14/454
D372,709 S *	8/1996	Sanchez et al.	D14/413
D419,199 S *	1/2000	Cordell et al.	D21/332
D441,370 S *	5/2001	Alviar	D14/413
D441,753 S *	5/2001	Alviar et al.	D14/413

1 Claim, 8 Drawing Sheets



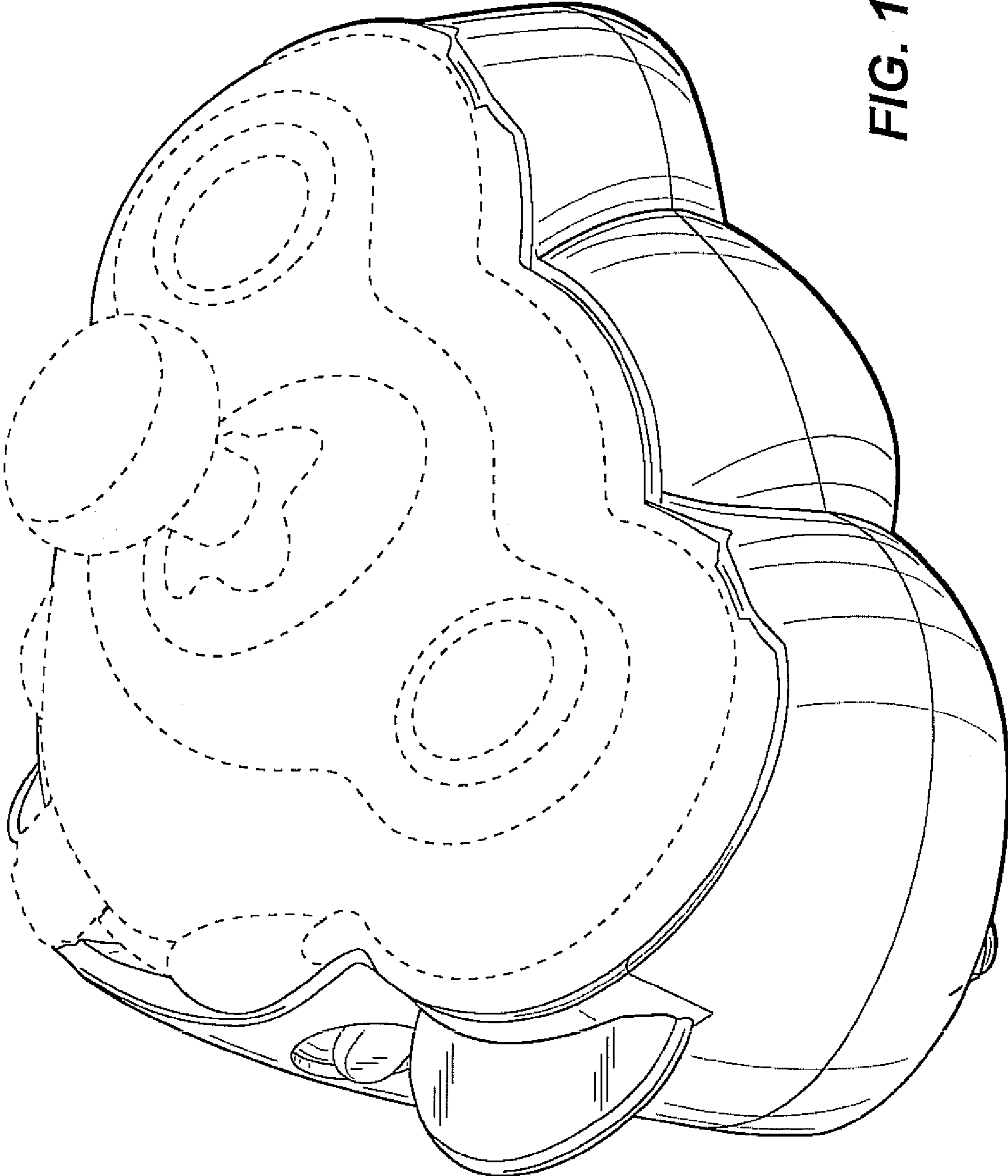


FIG. 1

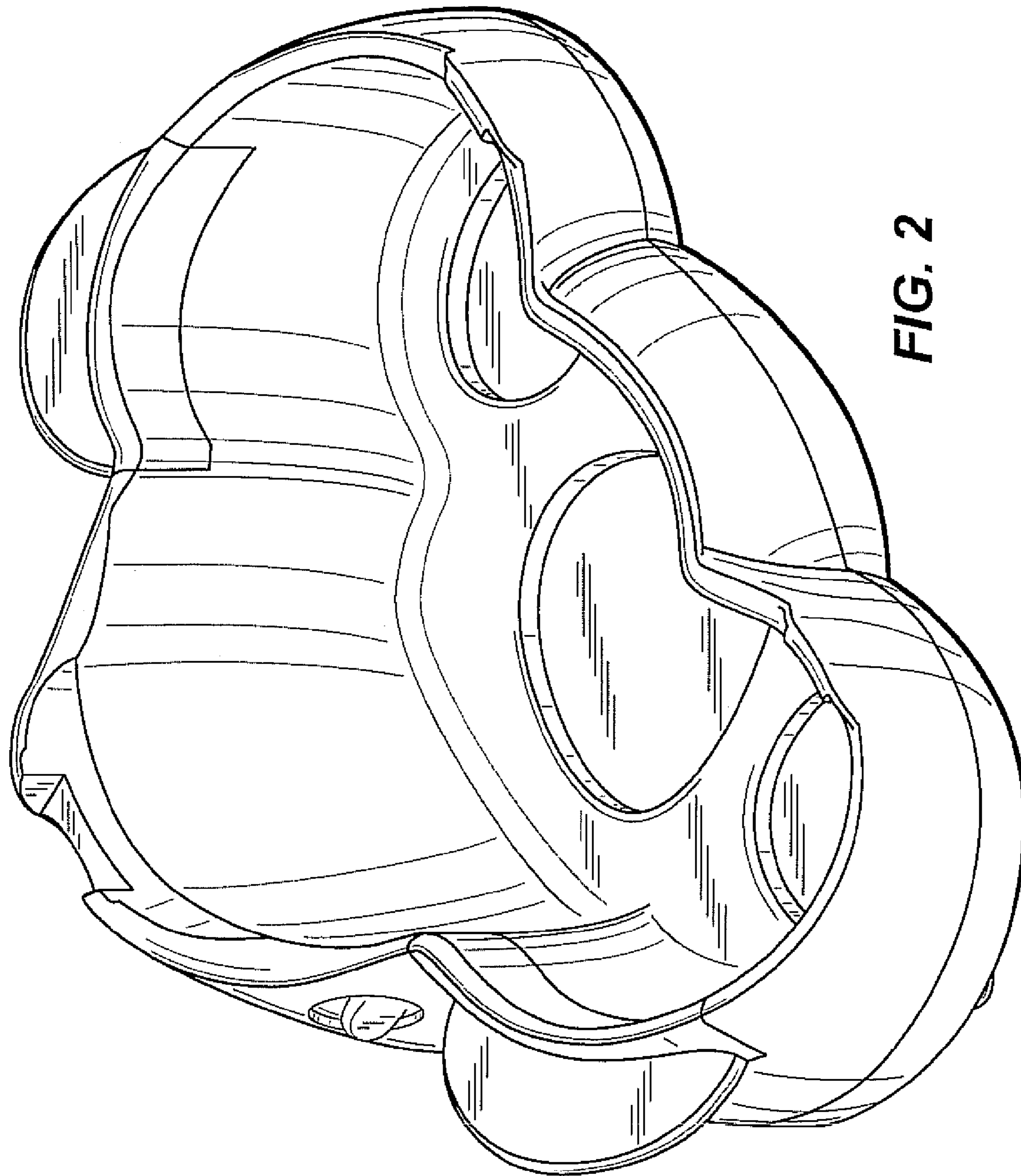


FIG. 2

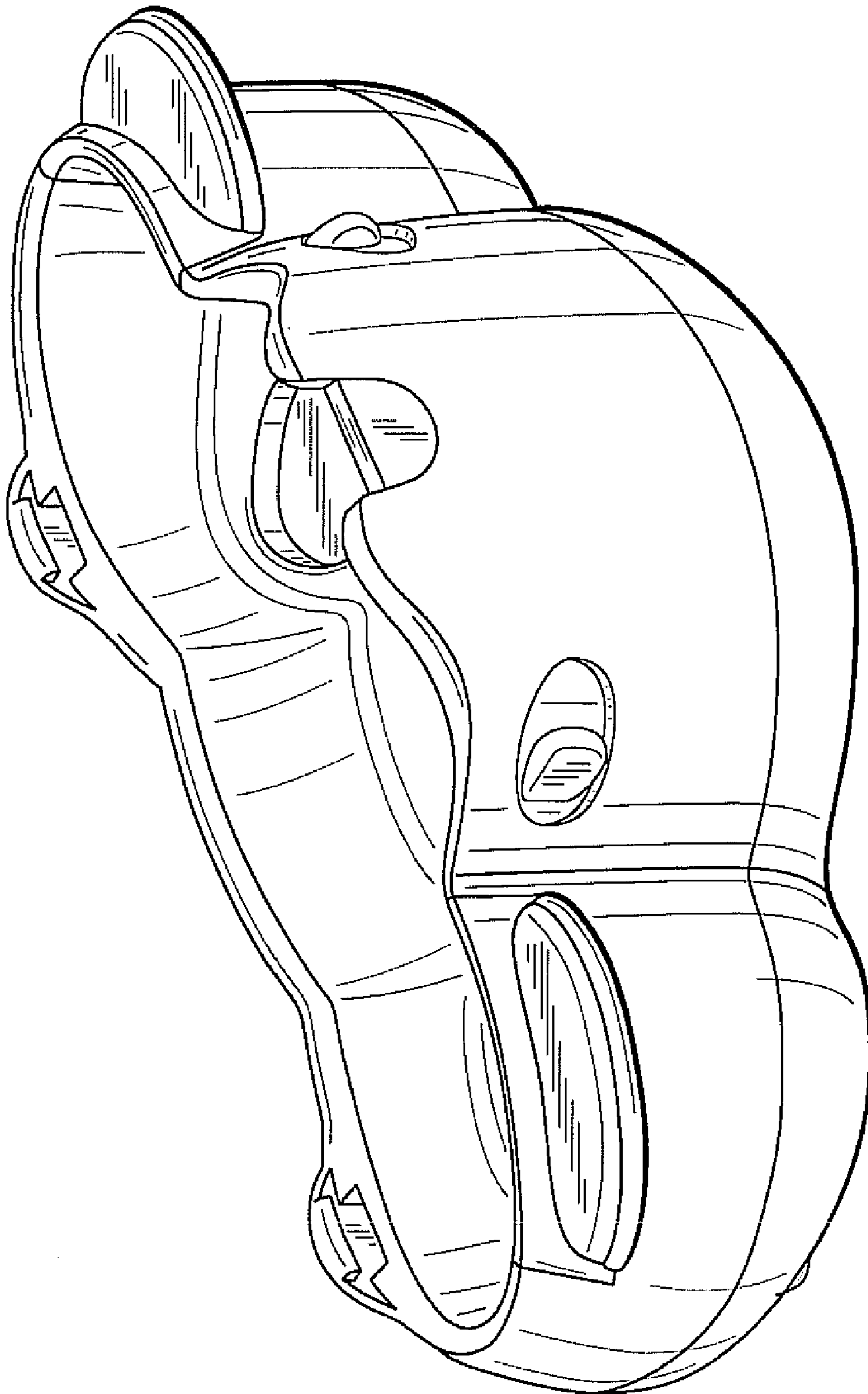


FIG. 3

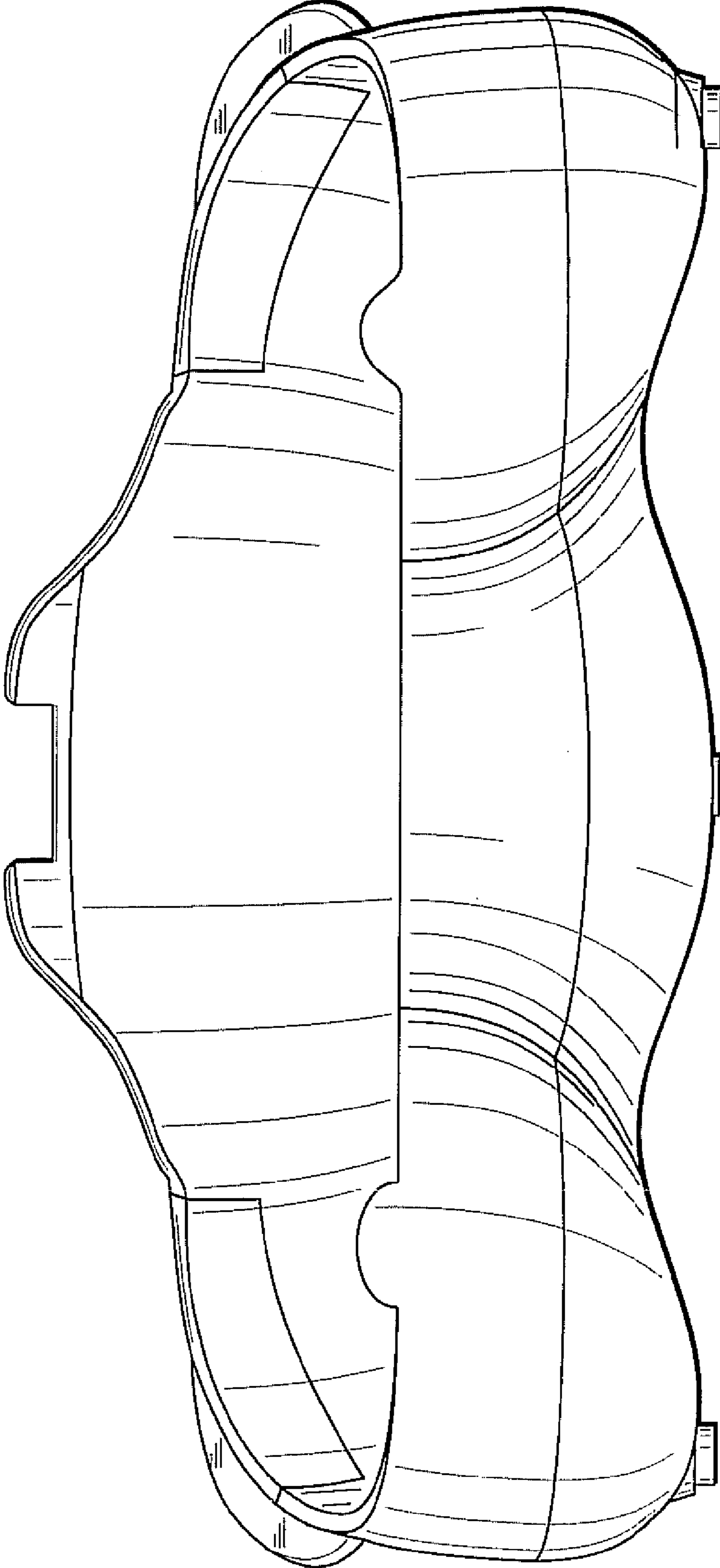


FIG. 4

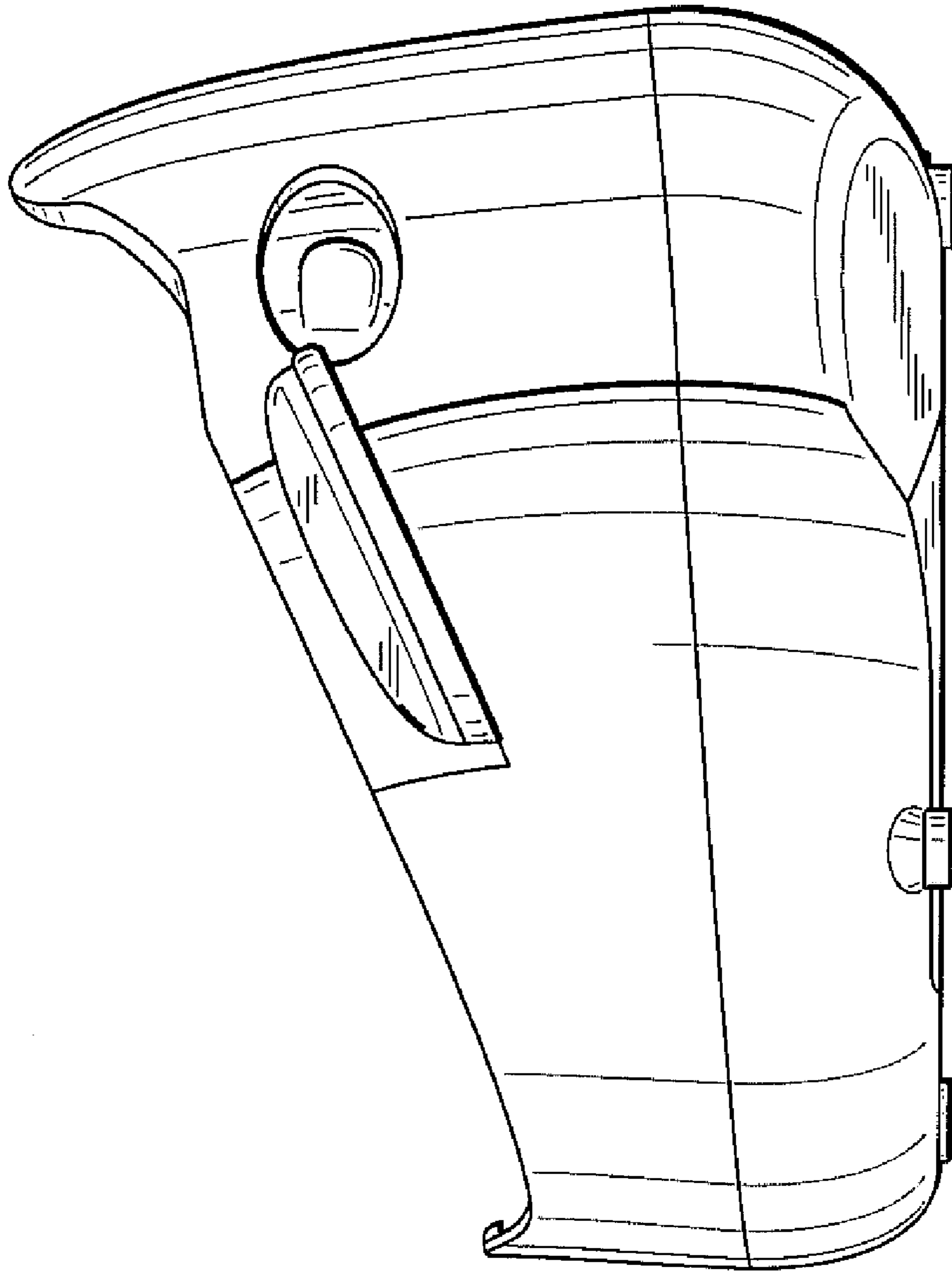


FIG. 5

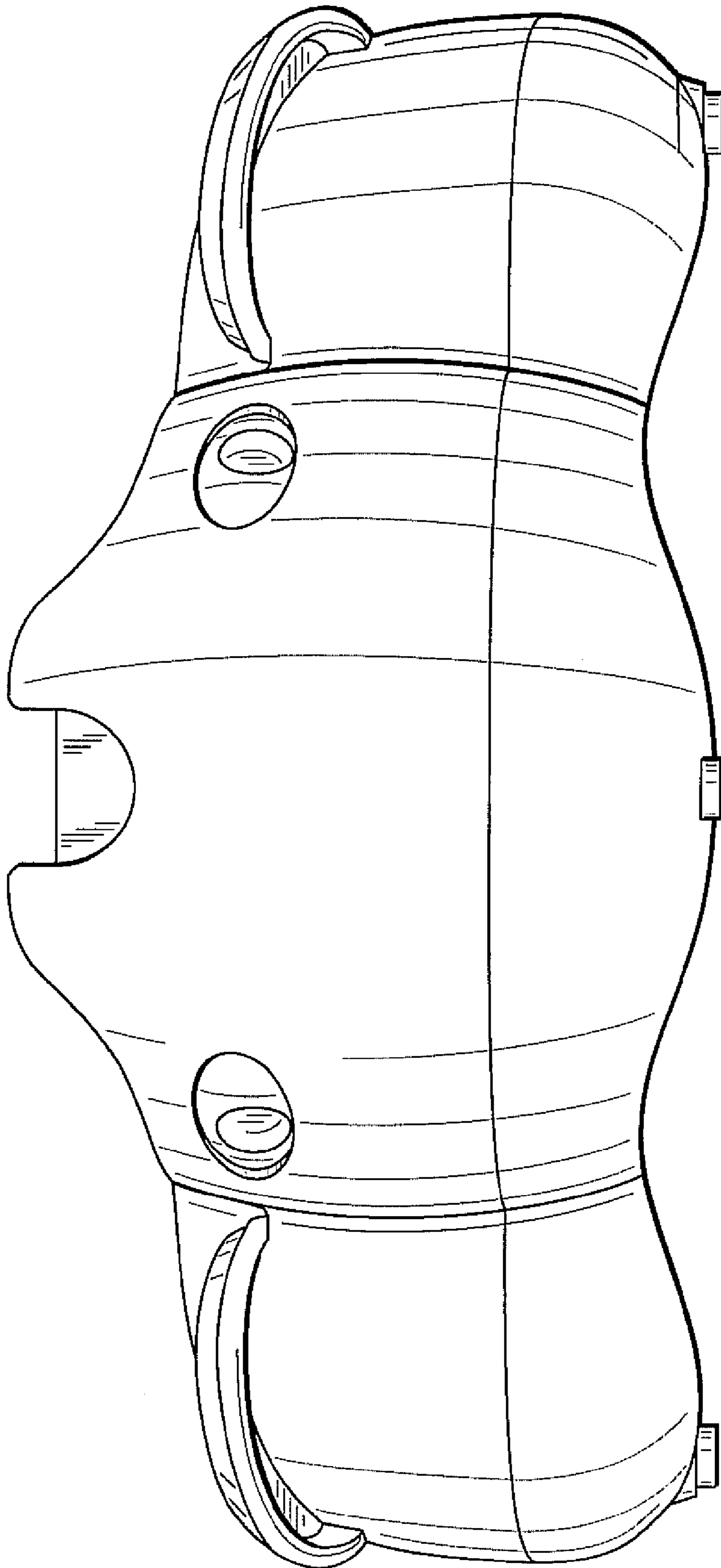


FIG. 6

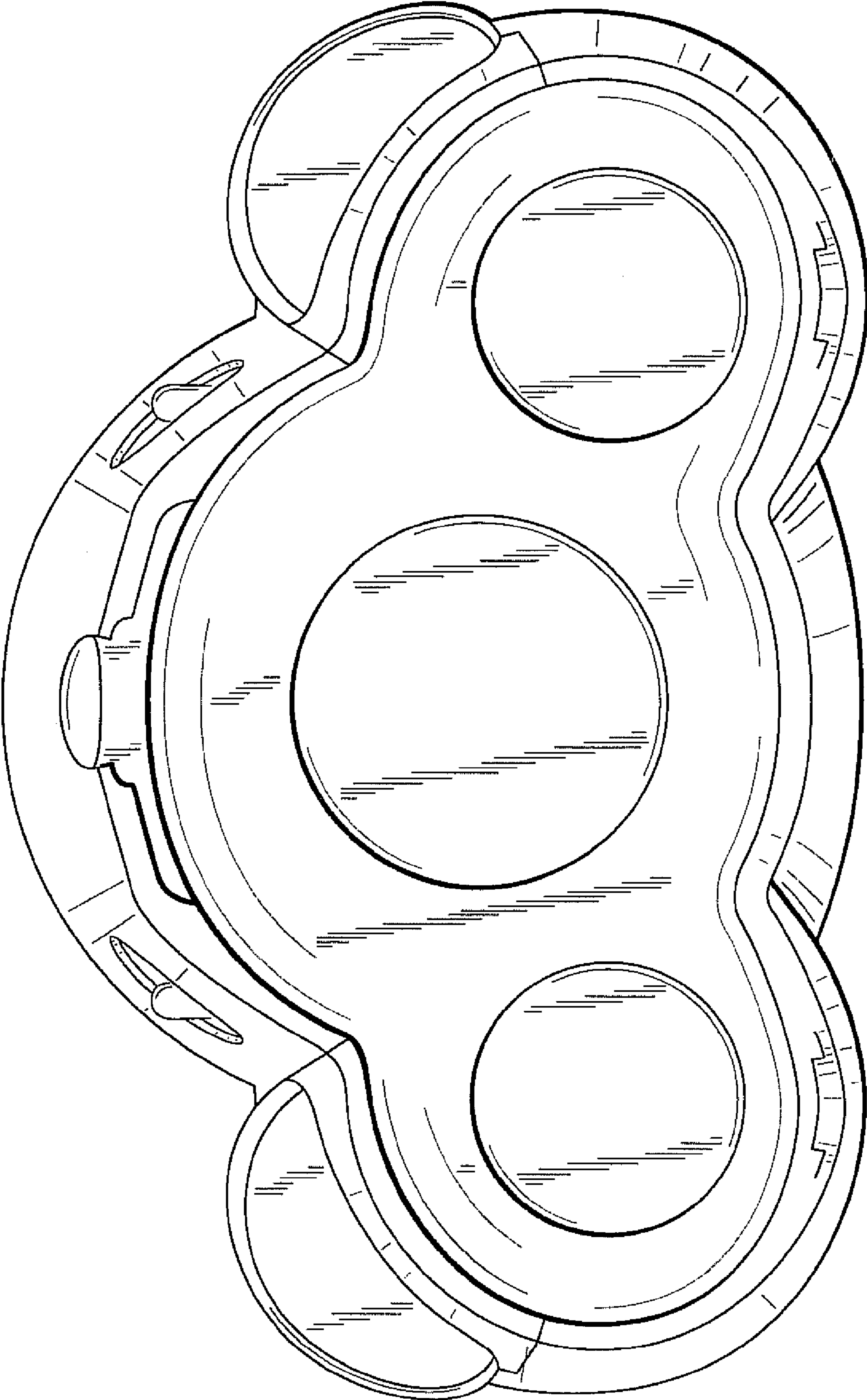


FIG. 7

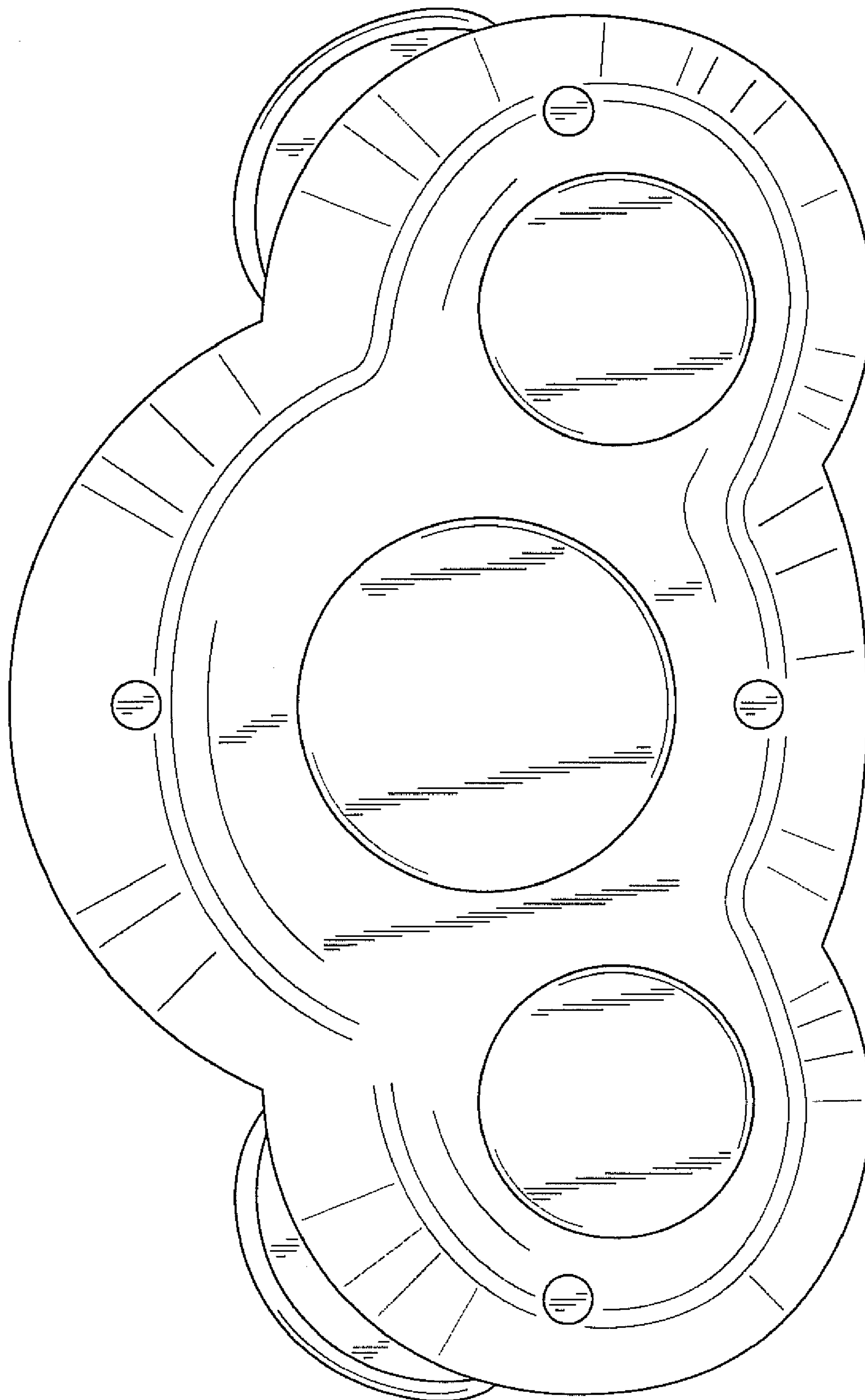


FIG. 8