



US00D568314S

(12) **United States Design Patent**  
**Wang**

(10) **Patent No.:** **US D568,314 S**  
(45) **Date of Patent:** **\*\* May 6, 2008**

(54) **CASE FOR EXTERNAL DATA STORAGE MEDIA**

(75) Inventor: **Chia-Jen Wang**, Taipei Hsien (TW)

(73) Assignee: **Datastor Technology Co., Ltd.** (TW)

(\*\*) Term: **14 Years**

(21) Appl. No.: **29/279,942**

(22) Filed: **May 11, 2007**

(51) **LOC (8) Cl.** ..... **14-02**

(52) **U.S. Cl.** ..... **D14/356**

(58) **Field of Classification Search** ..... D14/301,  
D14/313, 348-9, 351-8, 363, 368, 370, 432,  
D14/435-6, 496, 137, 155, 167-168, 240,  
D14/242, 299; 711/100, 115; 361/685, 725,  
361/752; 369/272.1, 273, 75.11; 360/133,  
360/97.01, 97.03; D13/149, 184; D3/201,  
D3/273

See application file for complete search history.

(56) **References Cited**

**U.S. PATENT DOCUMENTS**

D269,345 S *	6/1983	Payne et al. ....	D14/242
D332,443 S *	1/1993	Sharpe .....	D13/184
D355,653 S *	2/1995	Brandt et al. ....	D14/149
D431,557 S *	10/2000	Lutz et al. ....	D14/242
D433,381 S *	11/2000	Talesfore .....	D13/123
D480,077 S *	9/2003	Searby et al. ....	D14/308
D514,118 S *	1/2006	Christianson .....	D14/496
D520,000 S *	5/2006	Weiher et al. ....	D14/356
7,120,014 B2 *	10/2006	Yang .....	361/685

D534,910 S *	1/2007	Weiher et al. ....	D14/356
D541,273 S *	4/2007	Wang .....	D14/356
D541,274 S *	4/2007	Wang .....	D14/356
2006/0152899 A1 *	7/2006	Wang .....	361/685

**OTHER PUBLICATIONS**

[http://cgi.ebay.com.au/NEW-2-5-40GB-USB-2-0-EXTERNAL-HARD-DRIVE\\_W0QQitemZ330003440916QQihZ014QQcategoryZ130871QQcmdZViewItem](http://cgi.ebay.com.au/NEW-2-5-40GB-USB-2-0-EXTERNAL-HARD-DRIVE_W0QQitemZ330003440916QQihZ014QQcategoryZ130871QQcmdZViewItem), Nov. 16, 2006, p. 3.\*

\* cited by examiner

*Primary Examiner*—Robin V. Webster

*Assistant Examiner*—Karen E Kearney

(74) *Attorney, Agent, or Firm*—Cooley Godward Kronish LLP

(57) **CLAIM**

The ornamental design for case for external data storage media, as shown and described.

**DESCRIPTION**

FIG. 1 is a perspective view of case for external data storage media showing my new design;

FIG. 2 is a front elevational view thereof;

FIG. 3 is a rear elevational view thereof;

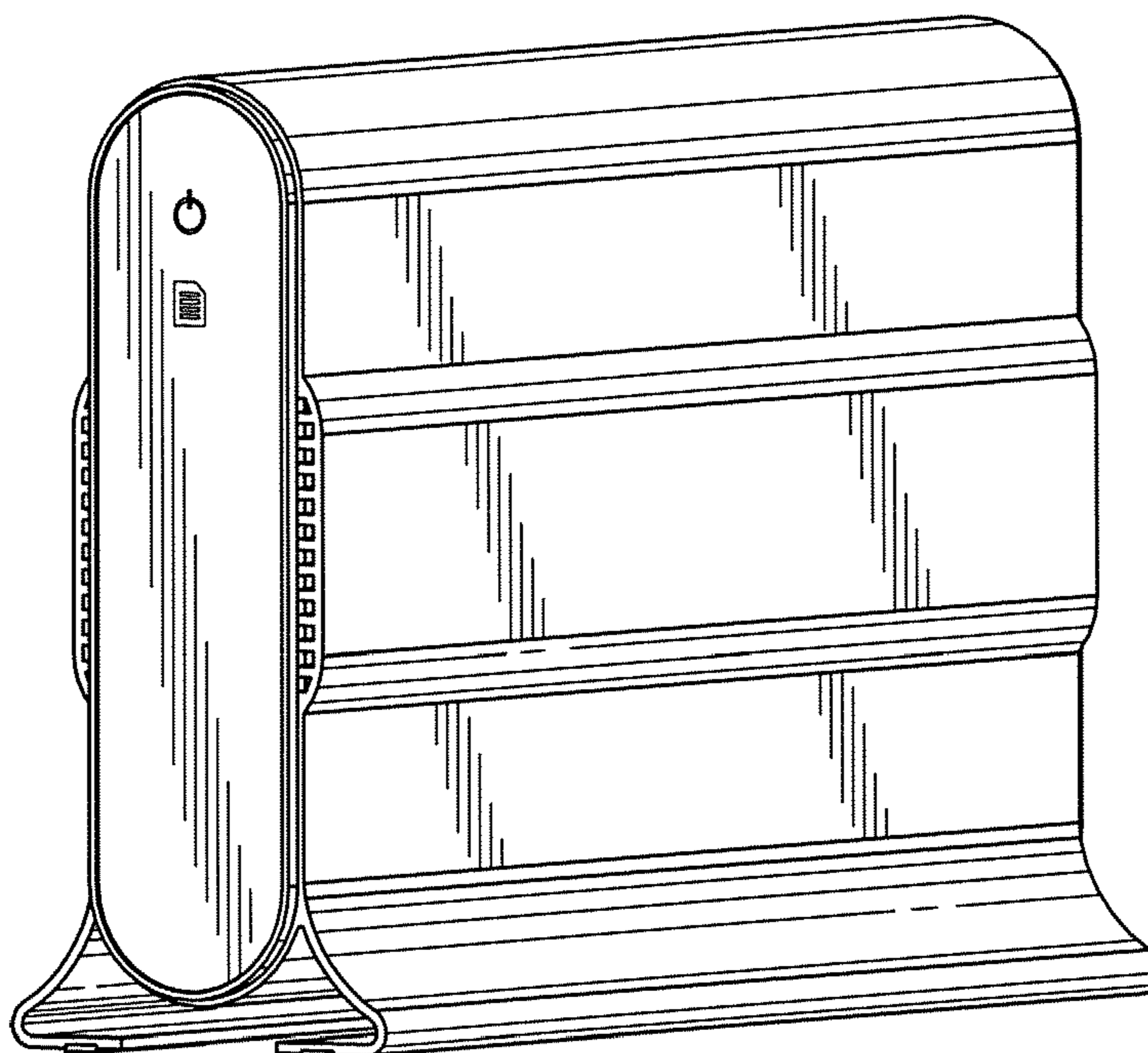
FIG. 4 is a left side elevational view thereof;

FIG. 5 is a right side elevational view thereof;

FIG. 6 is a top plan view thereof; and,

FIG. 7 is a bottom plan view thereof.

**1 Claim, 3 Drawing Sheets**



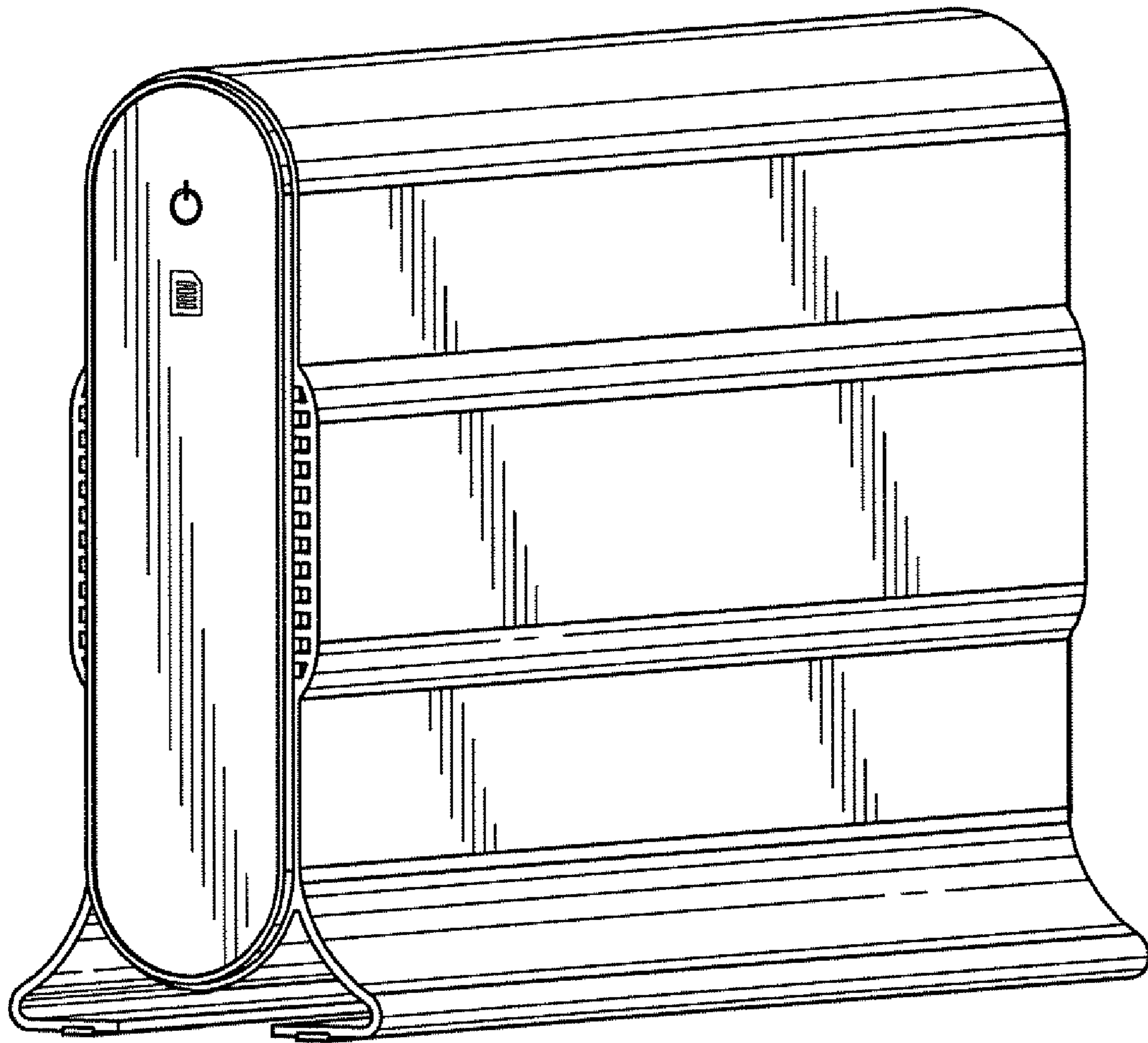


FIG. 1

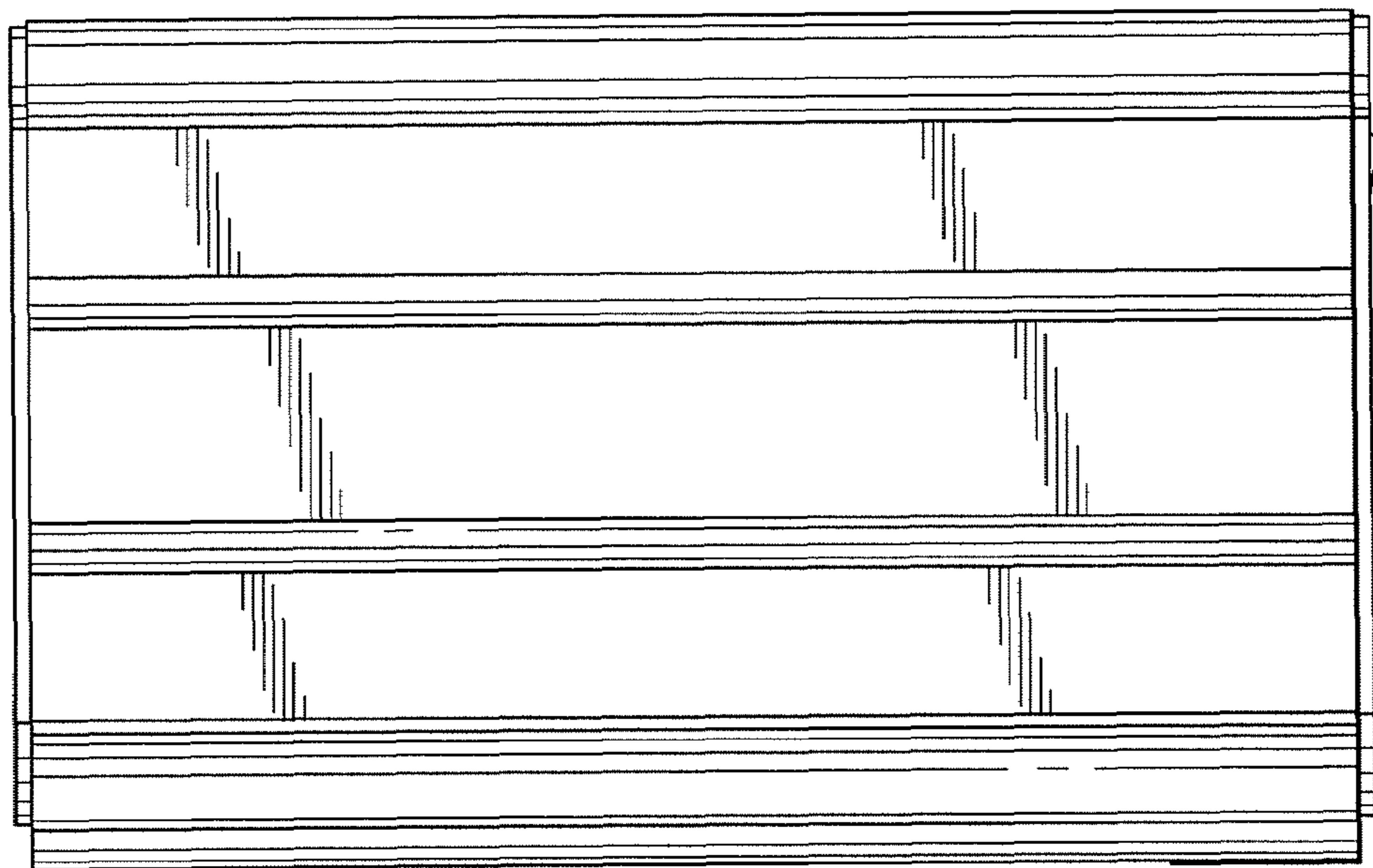


FIG. 2

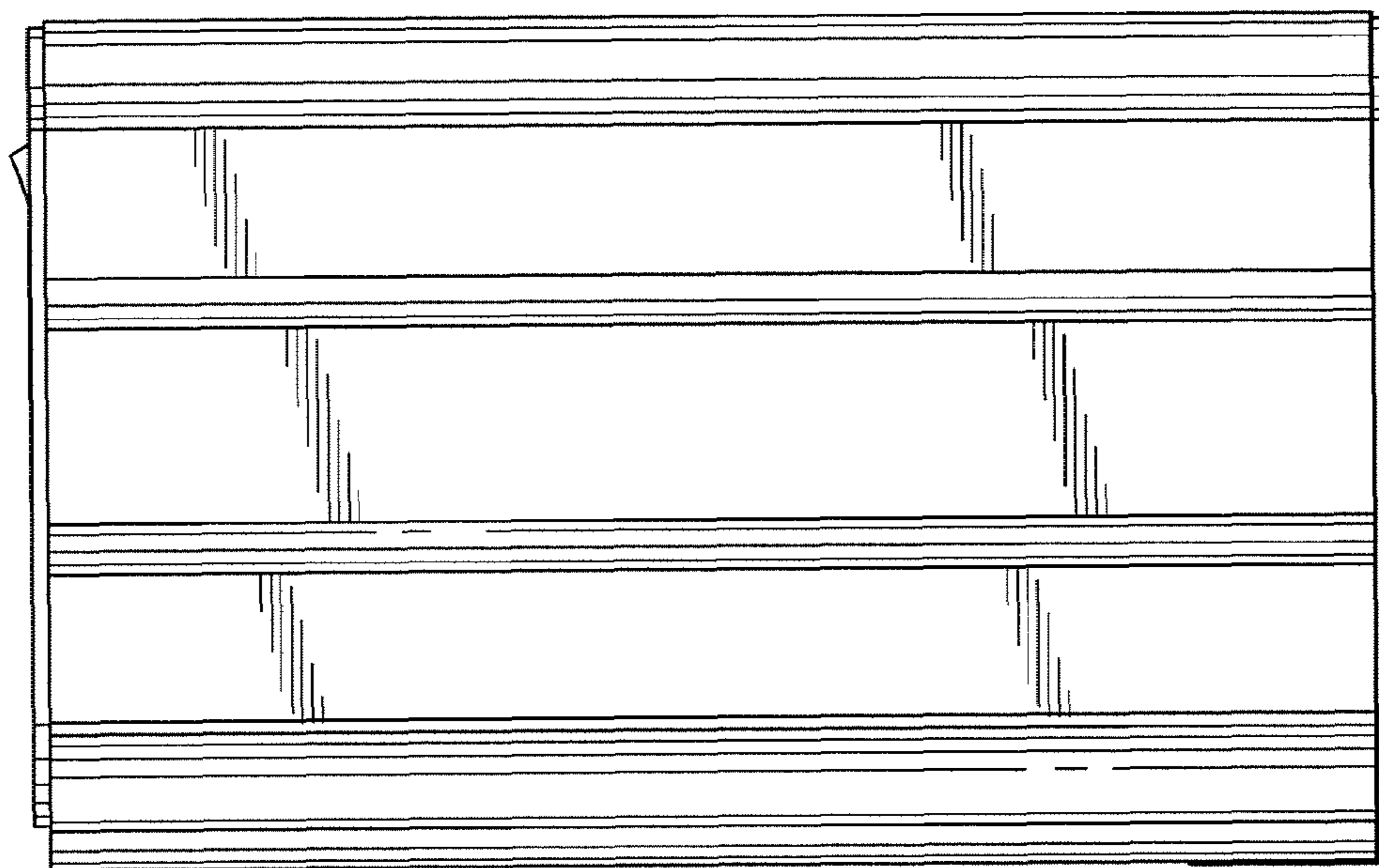


FIG. 3

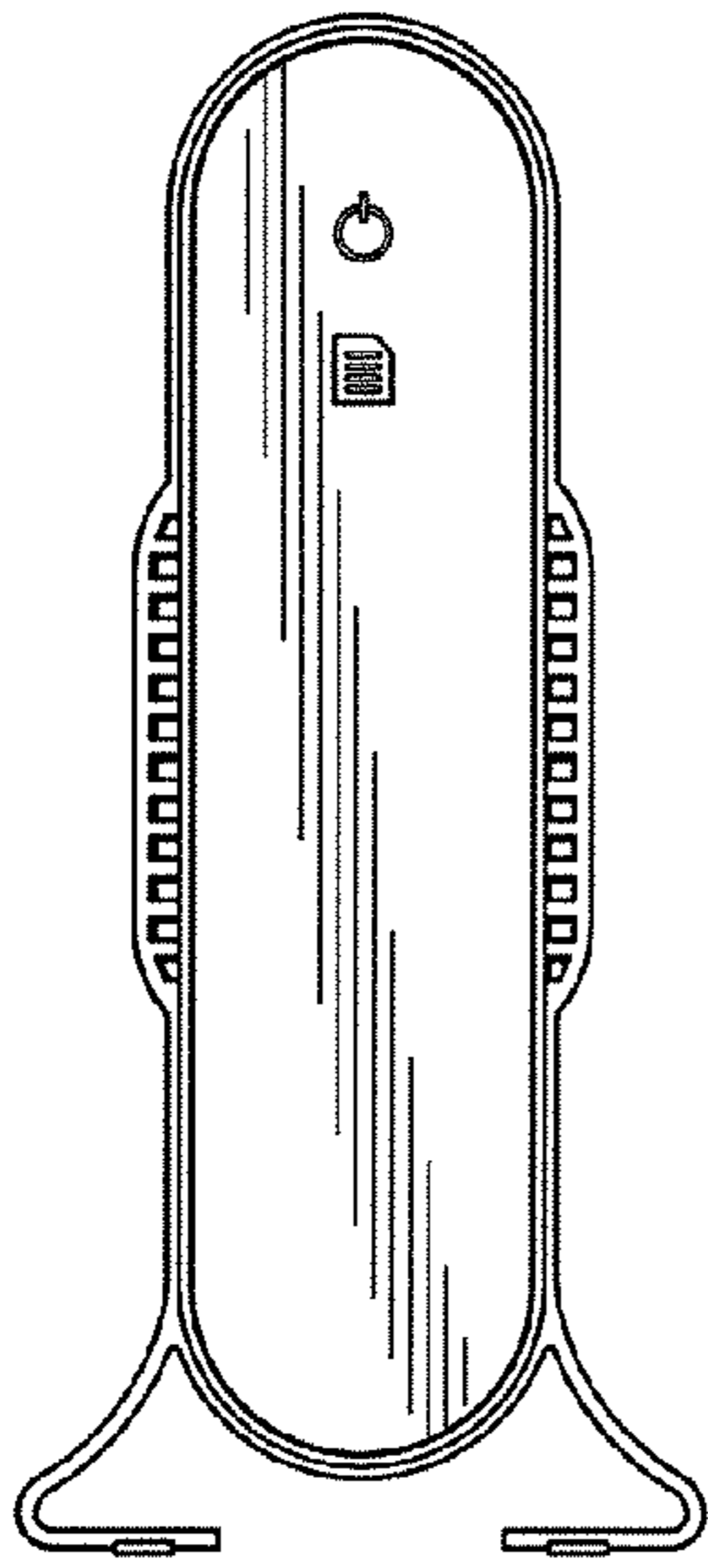


FIG. 4

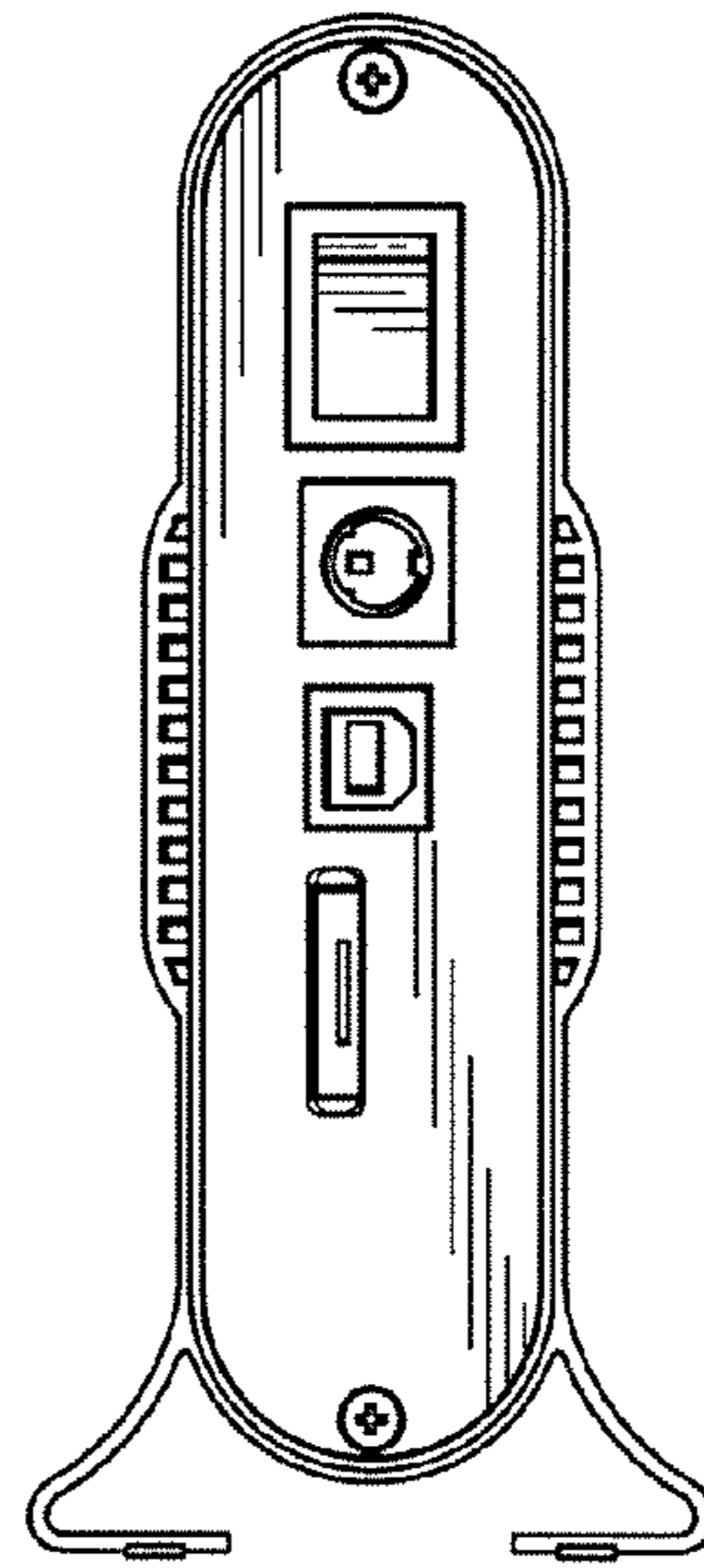


FIG. 5

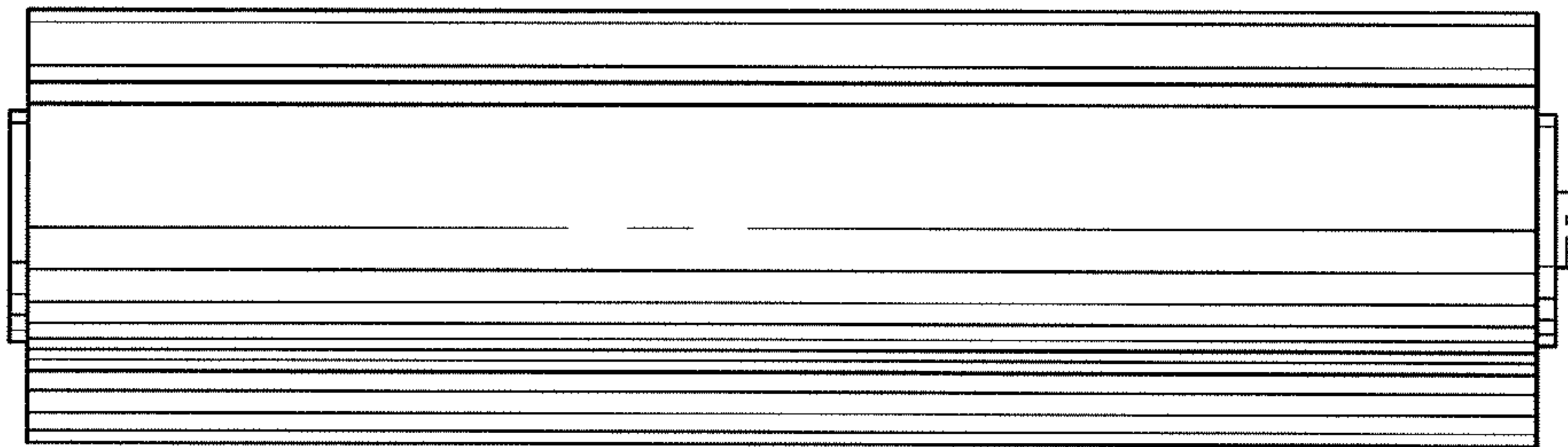


FIG. 6

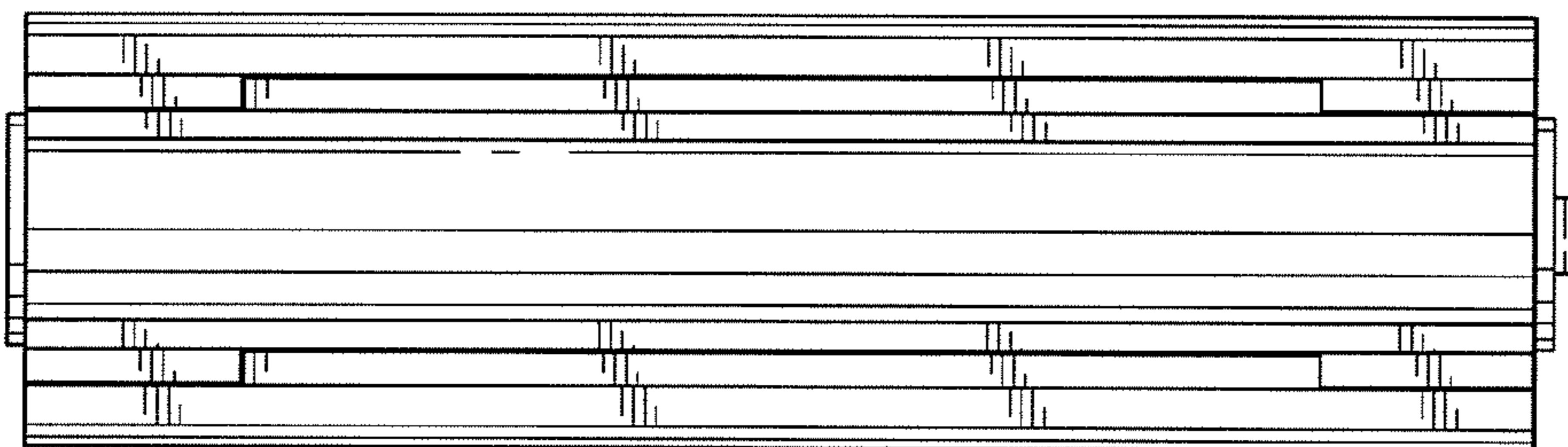


FIG. 7