

US00D568312S

(12) **United States Design Patent**
Wang et al.

(10) **Patent No.:** **US D568,312 S**

(45) **Date of Patent:** **** May 6, 2008**

(54) **EXTERNAL HARD DISK BOX**

(75) Inventors: **Yu Wang**, Shenzhen, CA (US);
Chun-Chi Liang, Tu-Cheng, CA (US);
Jiing-Renn Yu, Tu-Cheng, CA (US);
Yun-Dong Xu, Shenzhen, CA (US);
Li-Bing Guo, Shenzhen, CA (US)

(73) Assignee: **Hon Hai Precision Industry Co., Ltd.**,
Tu-Cheng, Taipei Hsien (TW)

(**) Term: **14 Years**

(21) Appl. No.: **29/278,443**

(22) Filed: **Mar. 30, 2007**

(30) **Foreign Application Priority Data**

Nov. 29, 2006 (CN) 2006 3 0200509

(51) **LOC (8) Cl.** **14-02**

(52) **U.S. Cl.** **D14/356**

(58) **Field of Classification Search** D14/301,
D14/313, 348-9, 351-8, 363, 368, 370, 432,
D14/435-6, 496, 137, 155, 167-8, 240, 242,
D14/299; 711/100, 115; 361/685, 725, 752;
369/272.1, 273, 75.11; 360/133, 97.01, 97.03;
D13/149, 184; D3/201, 273
See application file for complete search history.

(56) **References Cited**

U.S. PATENT DOCUMENTS

D296,440 S * 6/1988 Smith et al. D14/432
D321,174 S * 10/1991 Tsuchiya D14/368

D324,388 S * 3/1992 Pulio et al. D14/215
6,122,165 A * 9/2000 Schmitt et al. 361/685
D445,789 S * 7/2001 Zmehrir D14/356
D456,403 S * 4/2002 Witte D14/355
D491,940 S * 6/2004 Narita D14/368
D495,336 S * 8/2004 Andre et al. D14/434
6,992,885 B2 * 1/2006 Wang 361/685
D522,531 S * 6/2006 Solomon et al. D14/496
D532,786 S * 11/2006 Iseki D14/365
D535,281 S * 1/2007 Yang D14/167
2002/0196724 A1 * 12/2002 Henrichs 369/75.1

* cited by examiner

Primary Examiner—Robin V. Webster

Assistant Examiner—Karen E Kearney

(74) *Attorney, Agent, or Firm*—Frank R. Niranjana

(57) **CLAIM**

The ornamental design for an external hard disk box, as shown and described.

DESCRIPTION

FIG. 1 is a perspective view of a external hard disk box showing our new design;

FIG. 2 is a front elevational view thereof;

FIG. 3 is a back elevational view thereof;

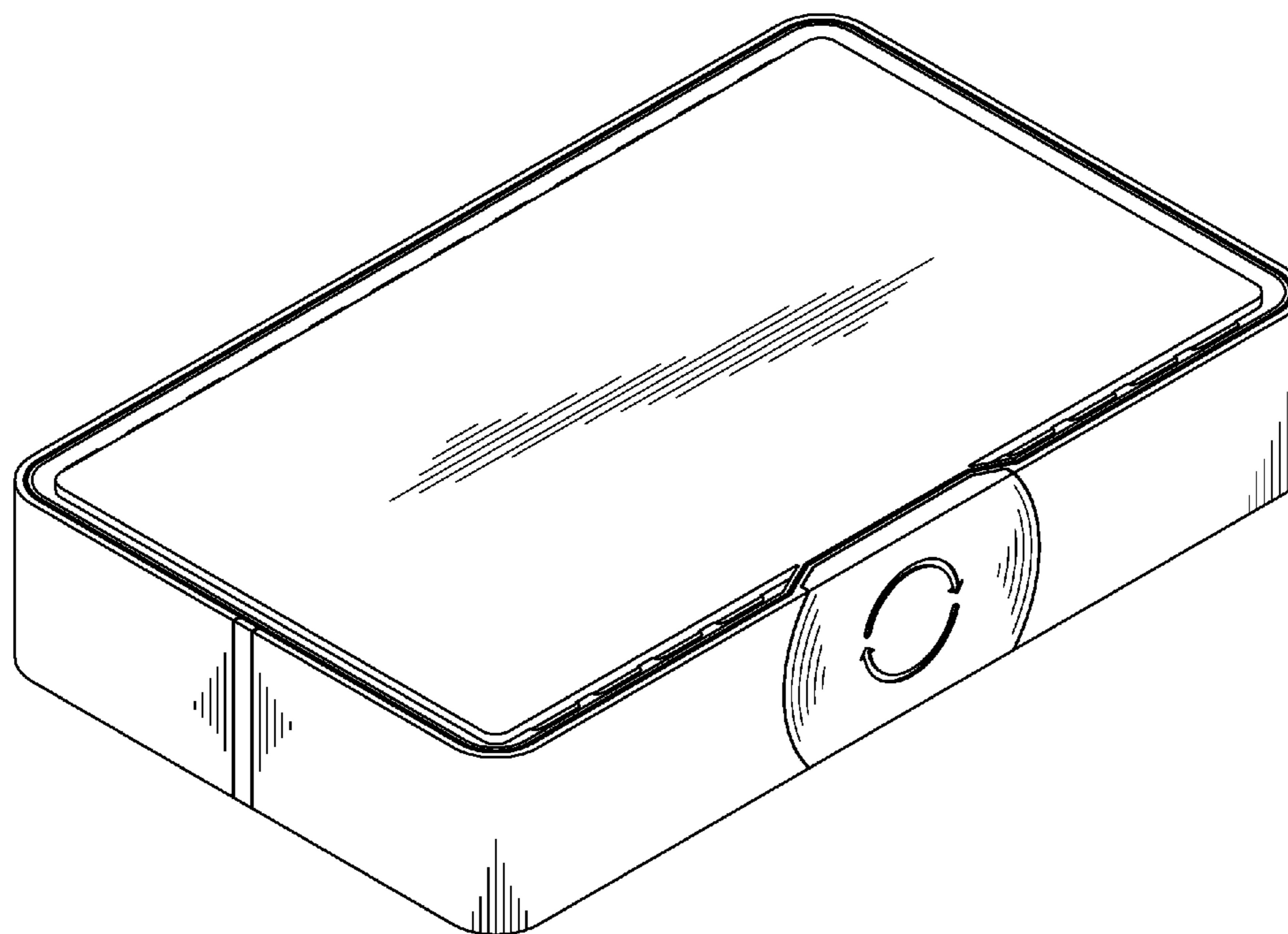
FIG. 4 is a left-side, elevational view thereof;

FIG. 5 is a right-side, elevational view thereof;

FIG. 6 is a top plan view thereof; and,

FIG. 7 is a bottom plan view thereof.

1 Claim, 7 Drawing Sheets



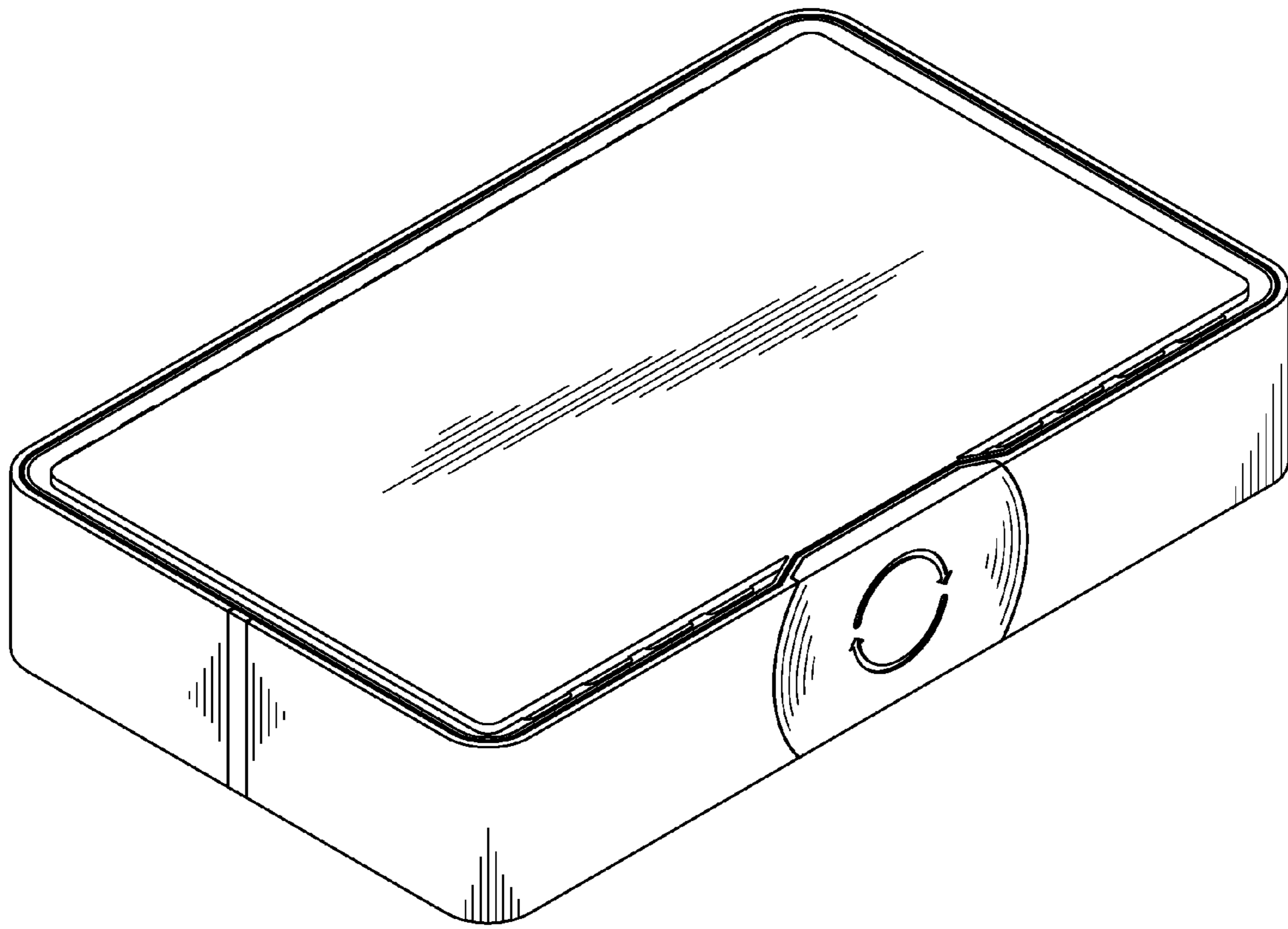


FIG. 1

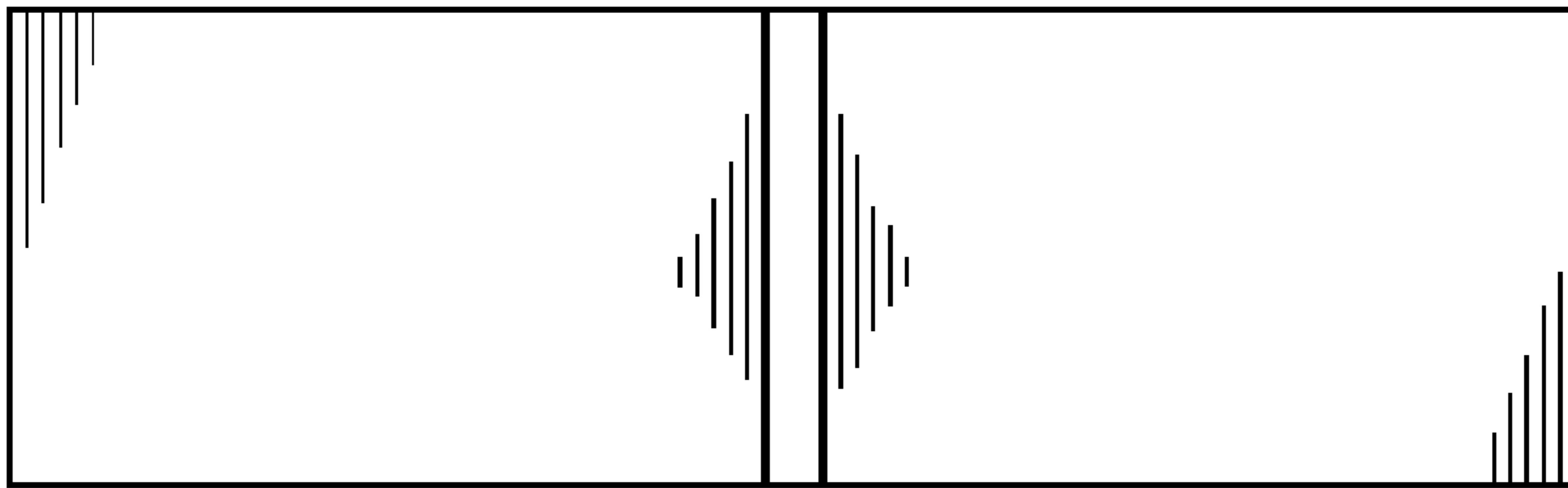


FIG. 2

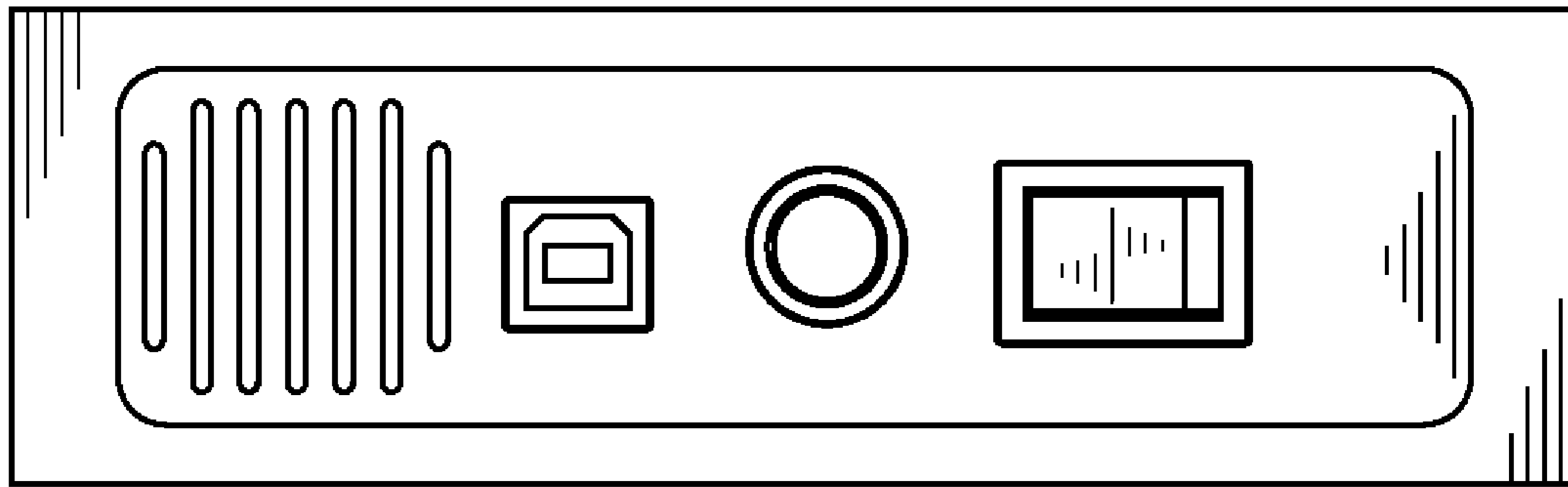


FIG. 3



FIG. 4

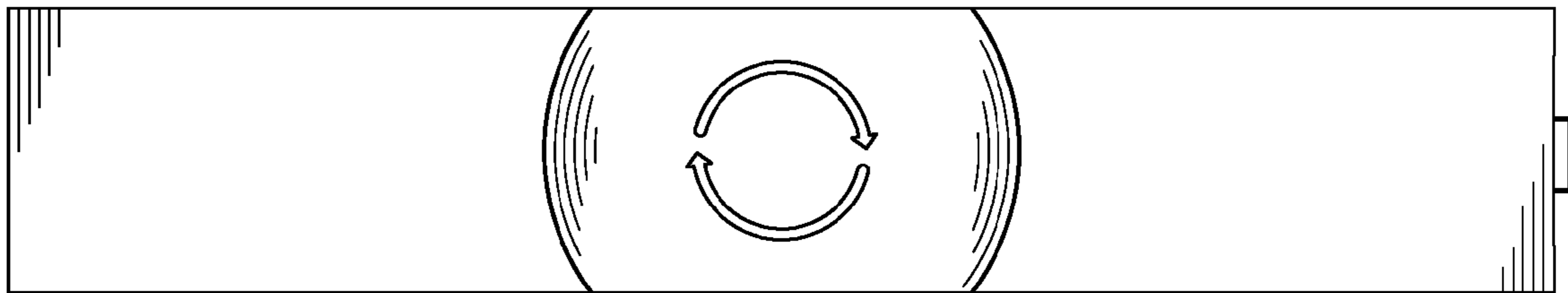


FIG. 5

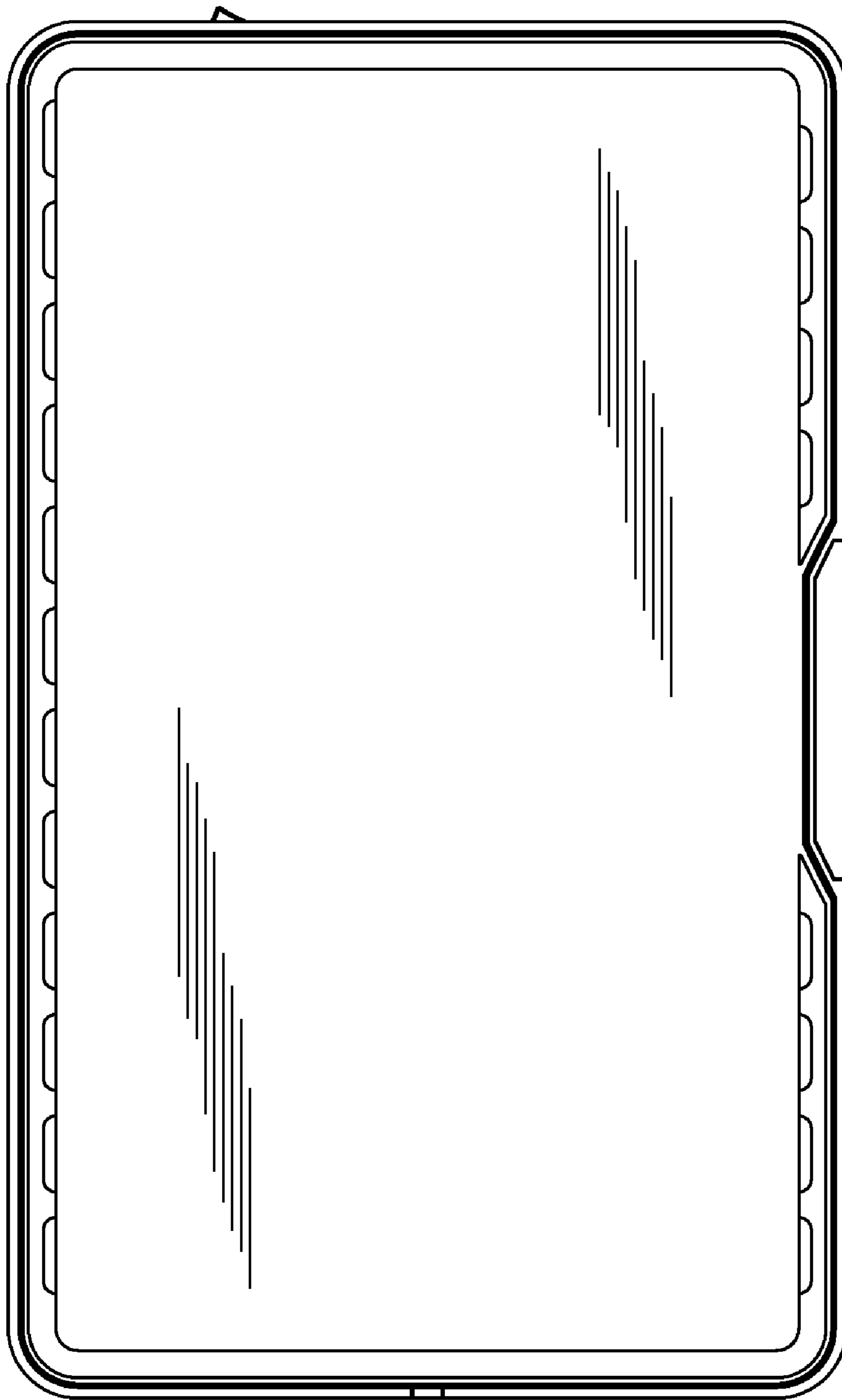


FIG. 6

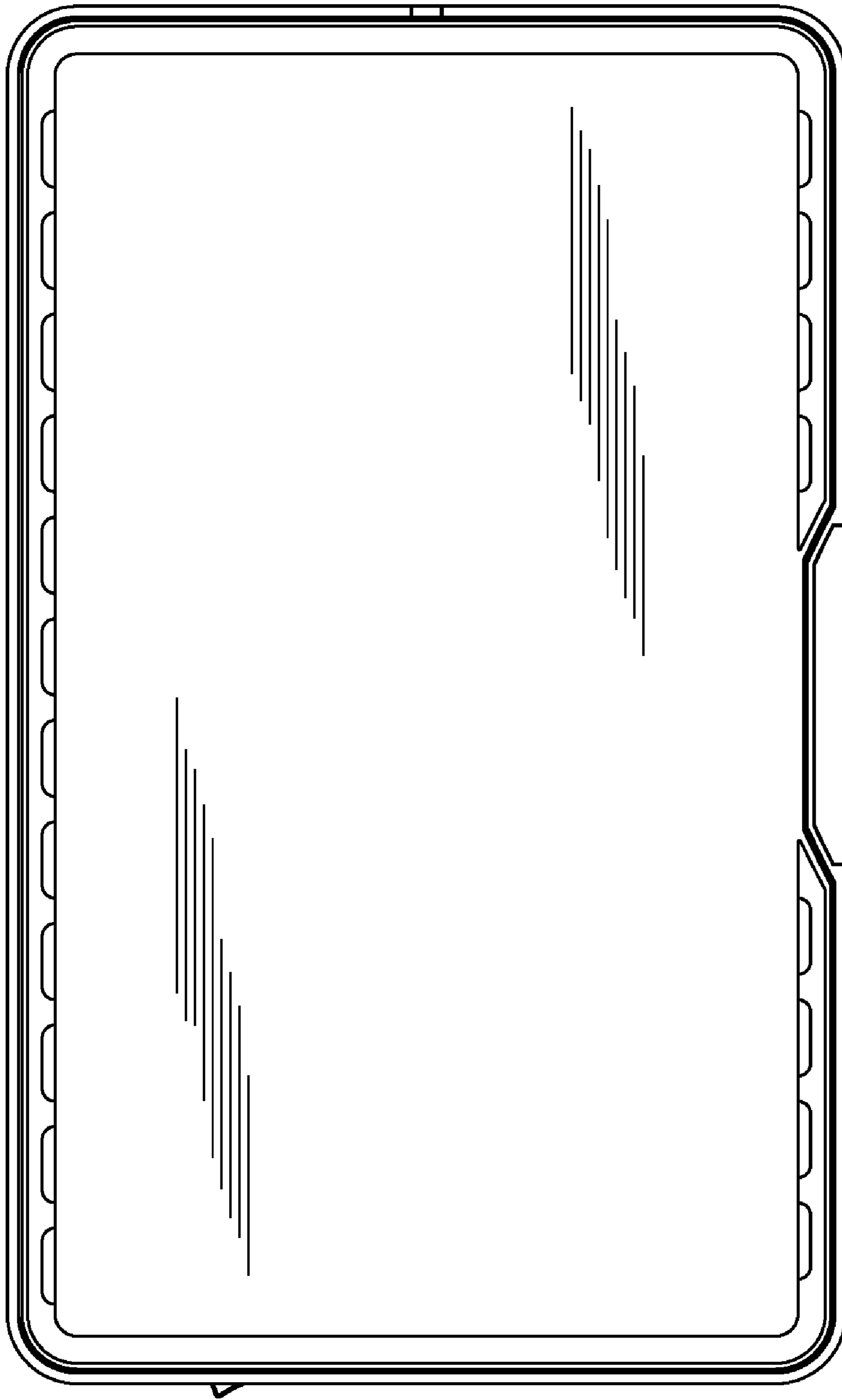


FIG. 7