

US00D568308S

(12) **United States Design Patent**
Nakagawa

(10) **Patent No.:** **US D568,308 S**
(45) **Date of Patent:** **** May 6, 2008**

(54) **PORTABLE COMPUTER**

JP 01013936 * 7/1998
JP 1041331 6/1999

(75) Inventor: **Hitoshi Nakagawa**, Kadoma (JP)

(73) Assignee: **Matsushita Electric Industrial Co., Ltd.**, Osaka (JP)

(Continued)

(**) Term: **14 Years**

(21) Appl. No.: **29/267,714**

(22) Filed: **Oct. 18, 2006**

(30) **Foreign Application Priority Data**

Apr. 20, 2006 (JP) 2006-010261

(51) **LOC (8) Cl.** **14-02**

(52) **U.S. Cl.** **D14/315**

(58) **Field of Classification Search** D14/315-327;
D18/1, 2, 7; 235/145 A, 145 R; 341/22,
341/23; 345/104, 156, 167-169, 173, 1.1;
361/680-686, 690-696; 400/486, 489

See application file for complete search history.

(56) **References Cited**

U.S. PATENT DOCUMENTS

D361,553 S	8/1995	De luliis	
D367,046 S	2/1996	Haraga et al.	
D426,817 S	6/2000	Sugano et al.	
D429,722 S	8/2000	Kikuchi	
D435,549 S	12/2000	Amano et al.	
6,205,021 B1 *	3/2001	Klein et al.	361/683
D443,875 S	6/2001	Ma et al.	
D483,356 S	12/2003	Kobayashi	
D490,418 S *	5/2004	Liao	D14/318
D498,753 S	11/2004	Yamada	
D517,542 S *	3/2006	Lee et al.	D14/318
D523,430 S *	6/2006	Lin	D14/318
D530,320 S *	10/2006	Schultz et al.	D14/315

FOREIGN PATENT DOCUMENTS

JP	0893156	*	3/1994
JP	981355		5/1997
JP	984167		7/1997

OTHER PUBLICATIONS

Kaneshiro, U.S. Design Application entitled "Portable Computer", U.S. Appl. No. 29/267,555, filed Oct. 17, 2006.

(Continued)

Primary Examiner—Freda S Nunn

(74) *Attorney, Agent, or Firm*—Brinks Hofer Gilson & Lione

(57) **CLAIM**

I claim the ornamental design for a portable computer, as shown and described.

DESCRIPTION

FIG. 1 is a top perspective view of a portable computer of the present invention seen in an open position;

FIG. 2 is a front view thereof;

FIG. 3 is a top view thereof;

FIG. 4 is a bottom view thereof;

FIG. 5 is a first side view thereof;

FIG. 6 is a second side view thereof;

FIG. 7 is a rear view thereof;

FIG. 8 is a top perspective view of the portable computer seen in a closed position;

FIG. 9 is a front view thereof;

FIG. 10 is a top view thereof;

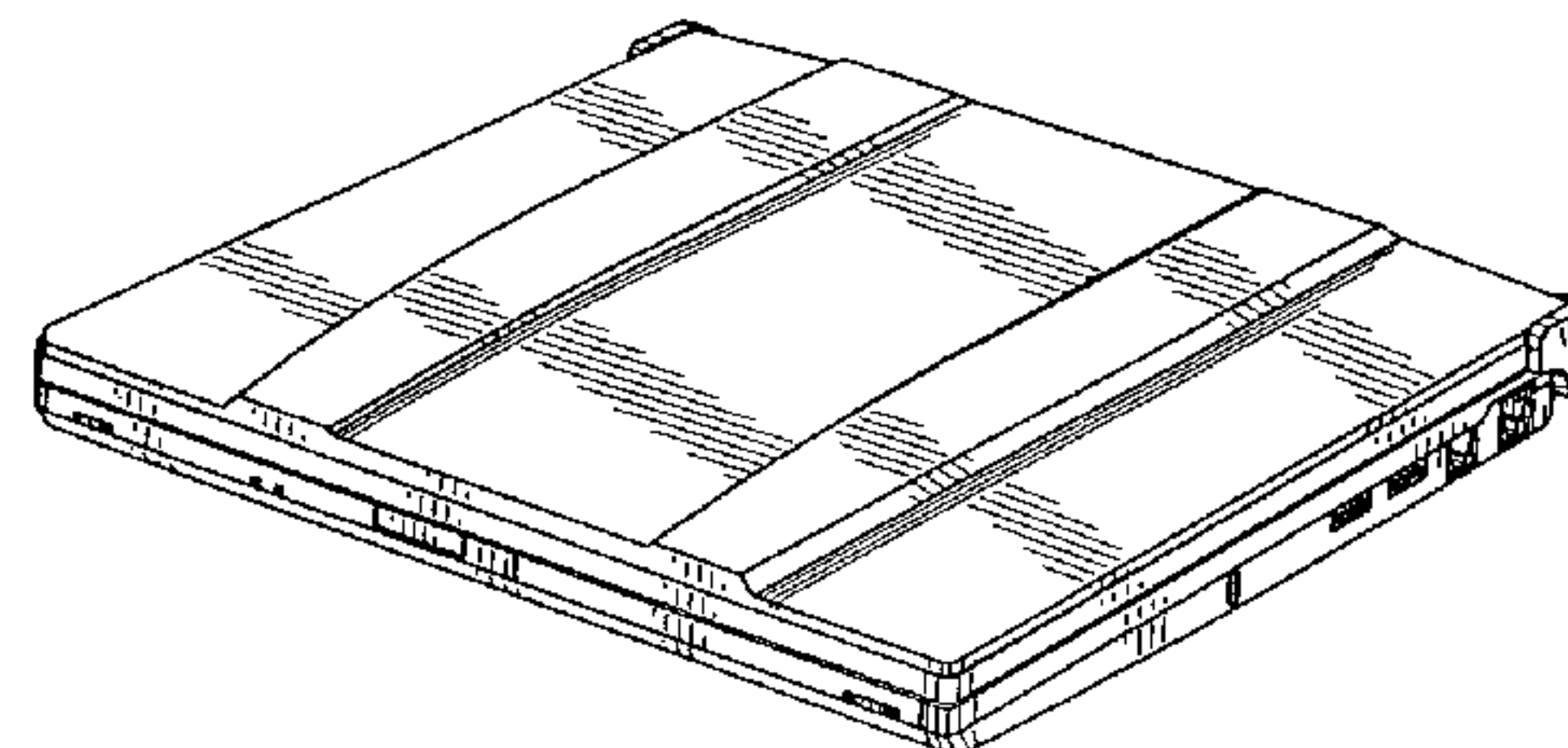
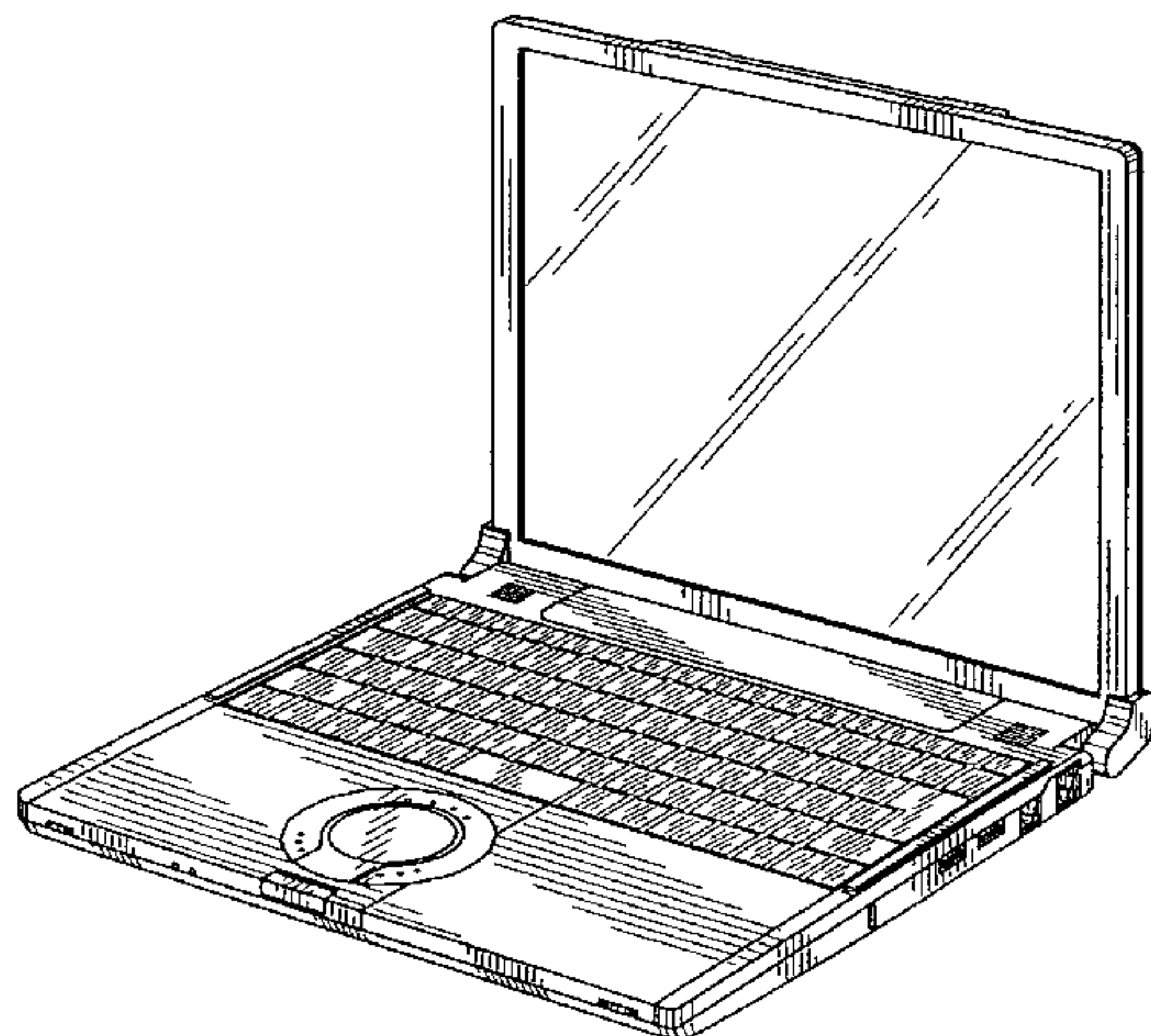
FIG. 11 is a bottom view thereof;

FIG. 12 is a first side view thereof;

FIG. 13 is a second side view thereof; and,

FIG. 14 is a rear view thereof.

1 Claim, 9 Drawing Sheets



FOREIGN PATENT DOCUMENTS

JP	1065790	4/2000
JP	994094/10	7/2000
JP	934416	10/2000
JP	1094693	12/2000
JP	1094694	12/2000
JP	1094695	12/2000
JP	1098189	1/2001
JP	1099102	1/2001
JP	1100612	2/2001
JP	1103747	3/2001
JP	1113521	7/2001
JP	1119631	8/2001
JP	1119691	8/2001
JP	1120213	9/2001
JP	1121108	9/2001
JP	1121272	9/2001
JP	1122008	9/2001
JP	1127372	11/2001
JP	1127600	12/2001
JP	1128503	12/2001
JP	1128505	12/2001
JP	1128506	12/2001
JP	1128775	12/2001
JP	1128808	12/2001
JP	1129334	12/2001
JP	1131716	1/2002
JP	1143514	6/2002
JP	1145540	7/2002
JP	1161645	12/2002
JP	1176115	6/2003
JP	1177526	6/2003
JP	1186847	10/2003
JP	1189345	11/2003
JP	1198666	3/2004
JP	1214993	8/2004

JP	1215911	8/2004
JP	1229871	2/2005
JP	1230580	2/2005
JP	1259272	12/2005
JP	1260446	1/2006
SE	93-1848	* 8/1993

OTHER PUBLICATIONS

Kaneshiro, U.S. Design Application entitled "Portable Computer", U.S. Appl. No. 29/267,556, filed Oct. 17, 2006.
 Kaneshiro, U.S. Design Application entitled "Portable Computer", U.S. Appl. No. 29/267,572, filed Oct. 17, 2006.
 Kaneshiro, U.S. Design Application entitled "Portable Computer", U.S. Appl. No. 29/267,592, filed Oct. 17, 2006.
 Nakagawa, U.S. Design Application entitled "Portable Computer", U.S. Appl. No. 29/267,649, filed Oct. 18, 2006.
 Nakagawa, U.S. Design Application entitled "Portable Computer", U.S. Appl. No. 29/267,650, filed Oct. 18, 2006.
 Kaneshiro et al., U.S. Design Application entitled "Portable Computer", U.S. Appl. No. 29/267,651, filed Oct. 18, 2006.
 Kaneshiro et al., U.S. Design Application entitled "Portable Computer", U.S. Appl. No. 29/267,660, filed Oct. 18, 2006.
 Nakagawa et al., U.S. Design Application entitled "Portable Computer", U.S. Appl. No. 29/267,661, filed Oct. 18, 2006.
 Nakagawa et al., U.S. Design Application entitled "Portable Computer", U.S. Appl. No. 29/267,662, filed Oct. 18, 2006.
 Kaneshiro et al., U.S. Design Application entitled "Portable Computer", U.S. Appl. No. 29/267,663, filed Oct. 18, 2006.
 Nakagawa et al., U.S. Design Application entitled "Portable Computer", U.S. Appl. No. 29/267,664, filed Oct. 18, 2006.
 Nakagawa, U.S. Design Application entitled "Portable Computer", U.S. Appl. No. 29/267,665, filed Oct. 18, 2006.
 The magazine "PC User," issued in Feb. 2006 by Softbank Creative Inc.

* cited by examiner

FIG. 1

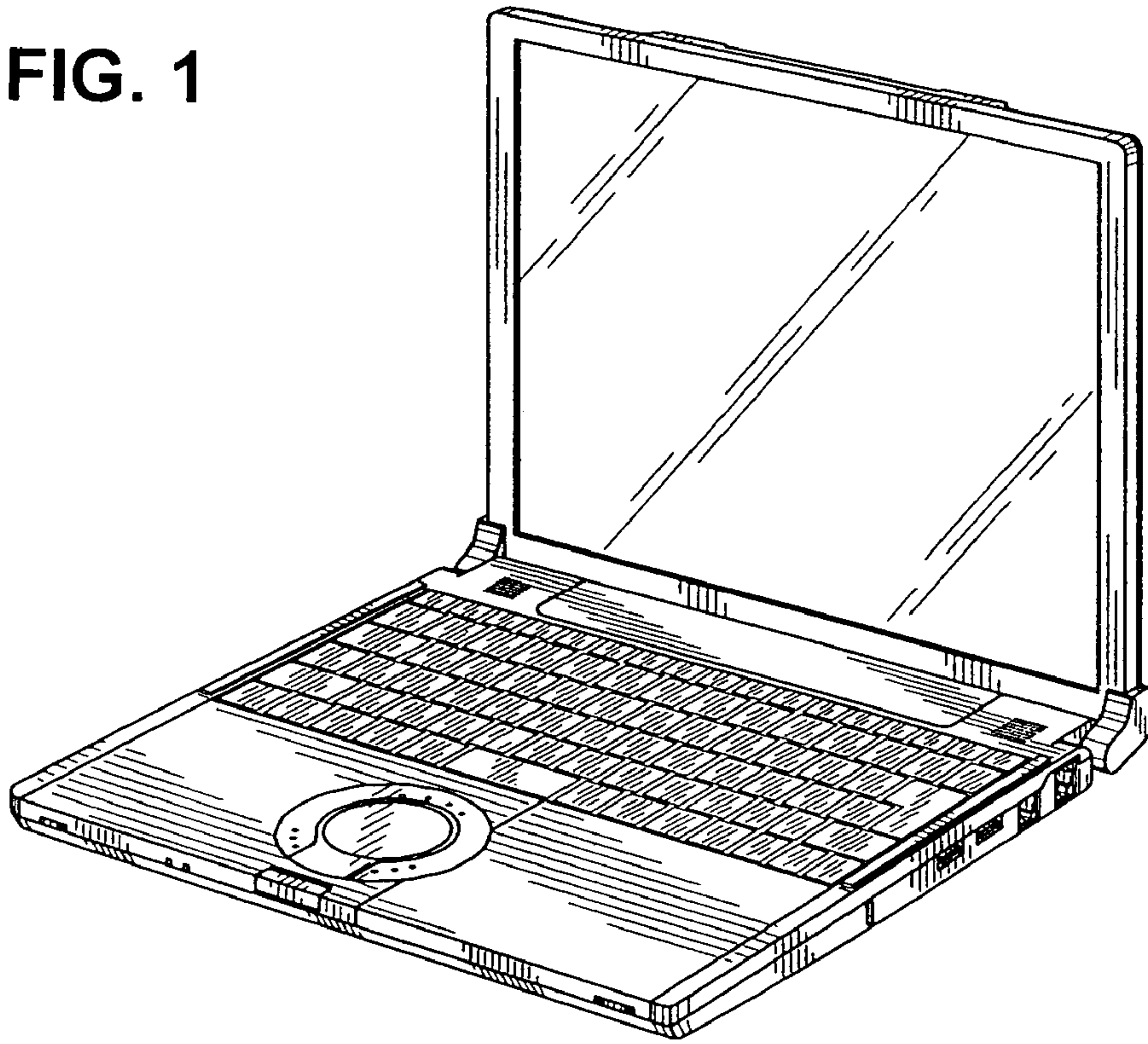


FIG. 2

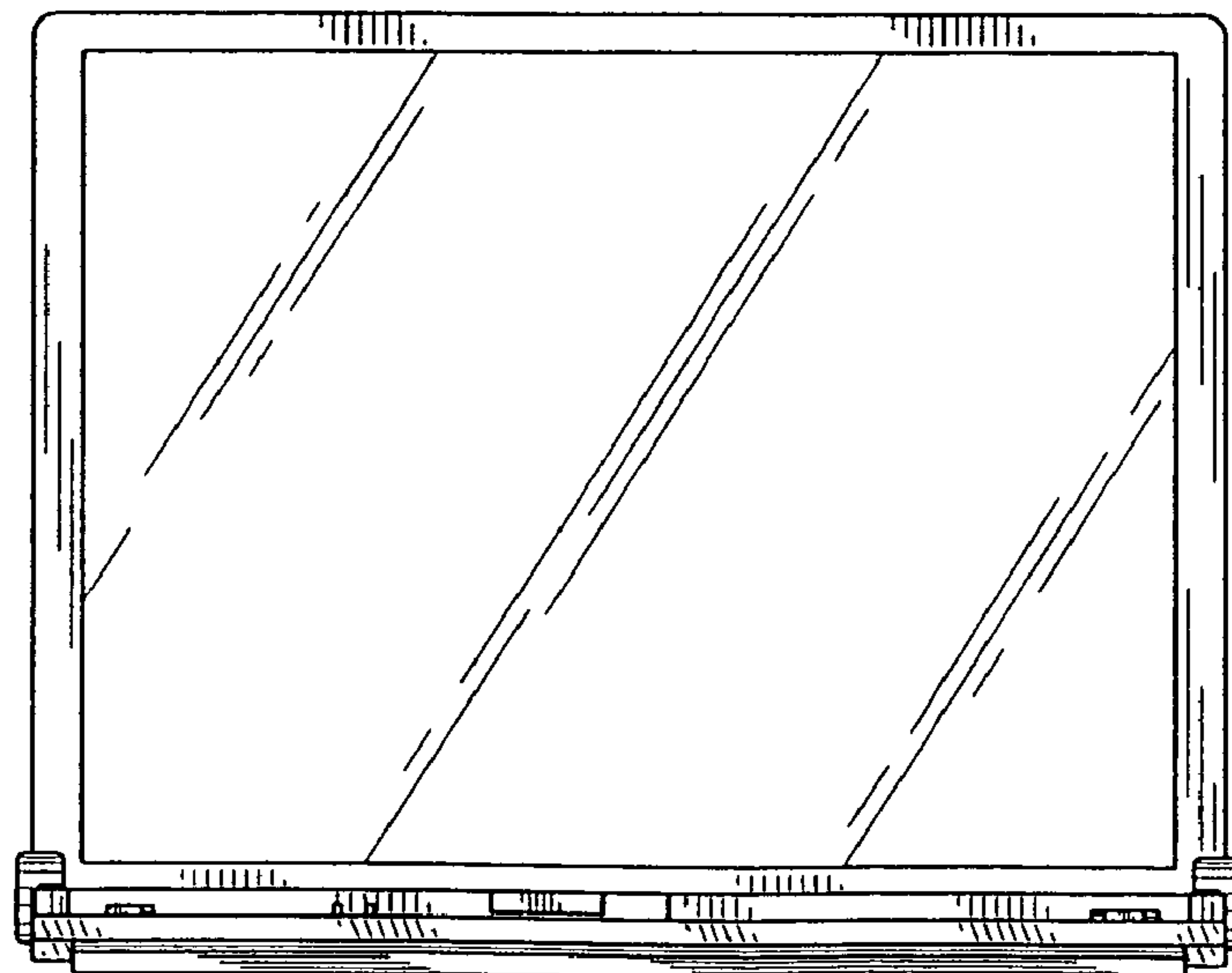


FIG. 3

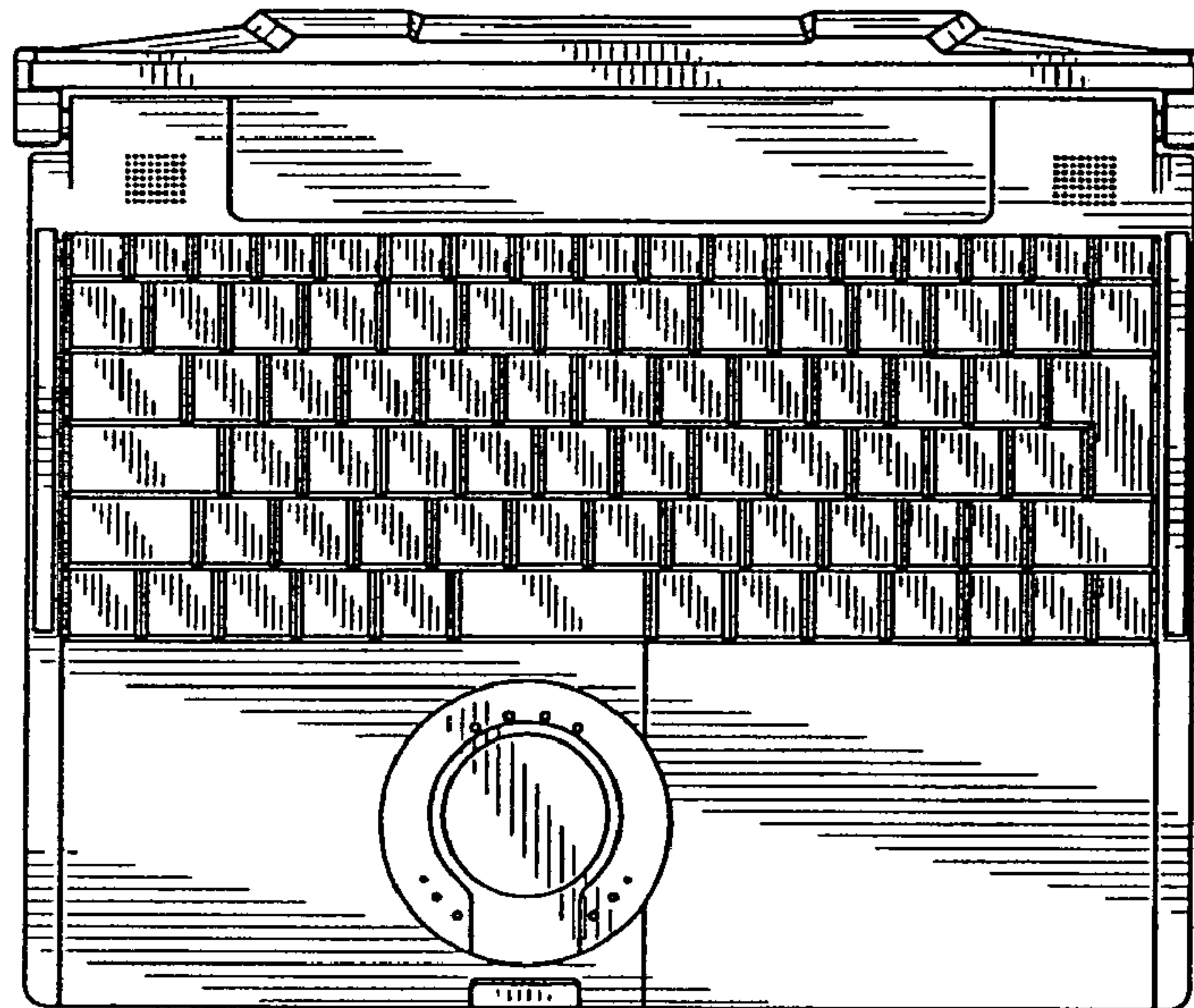


FIG. 4

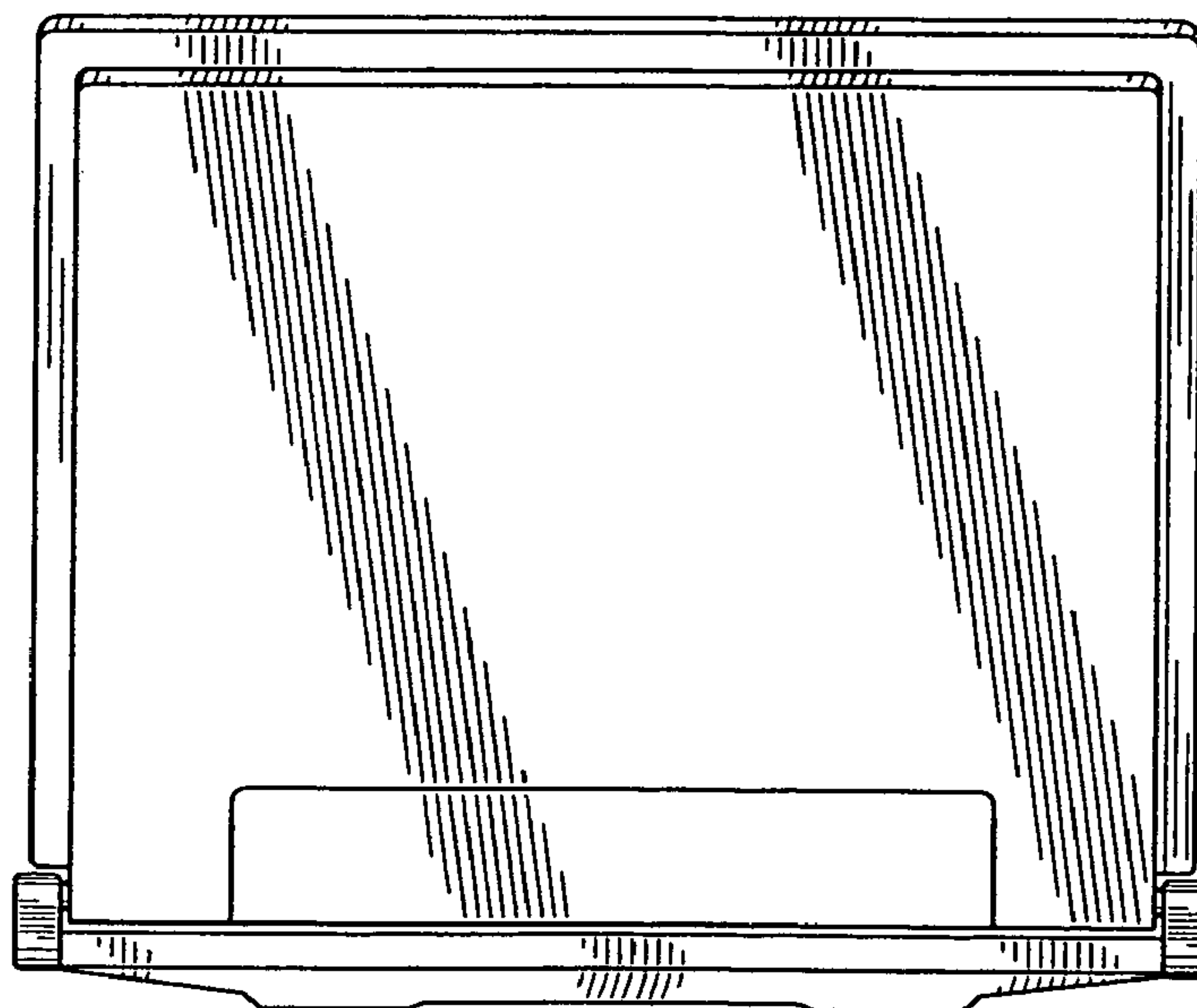


FIG. 5

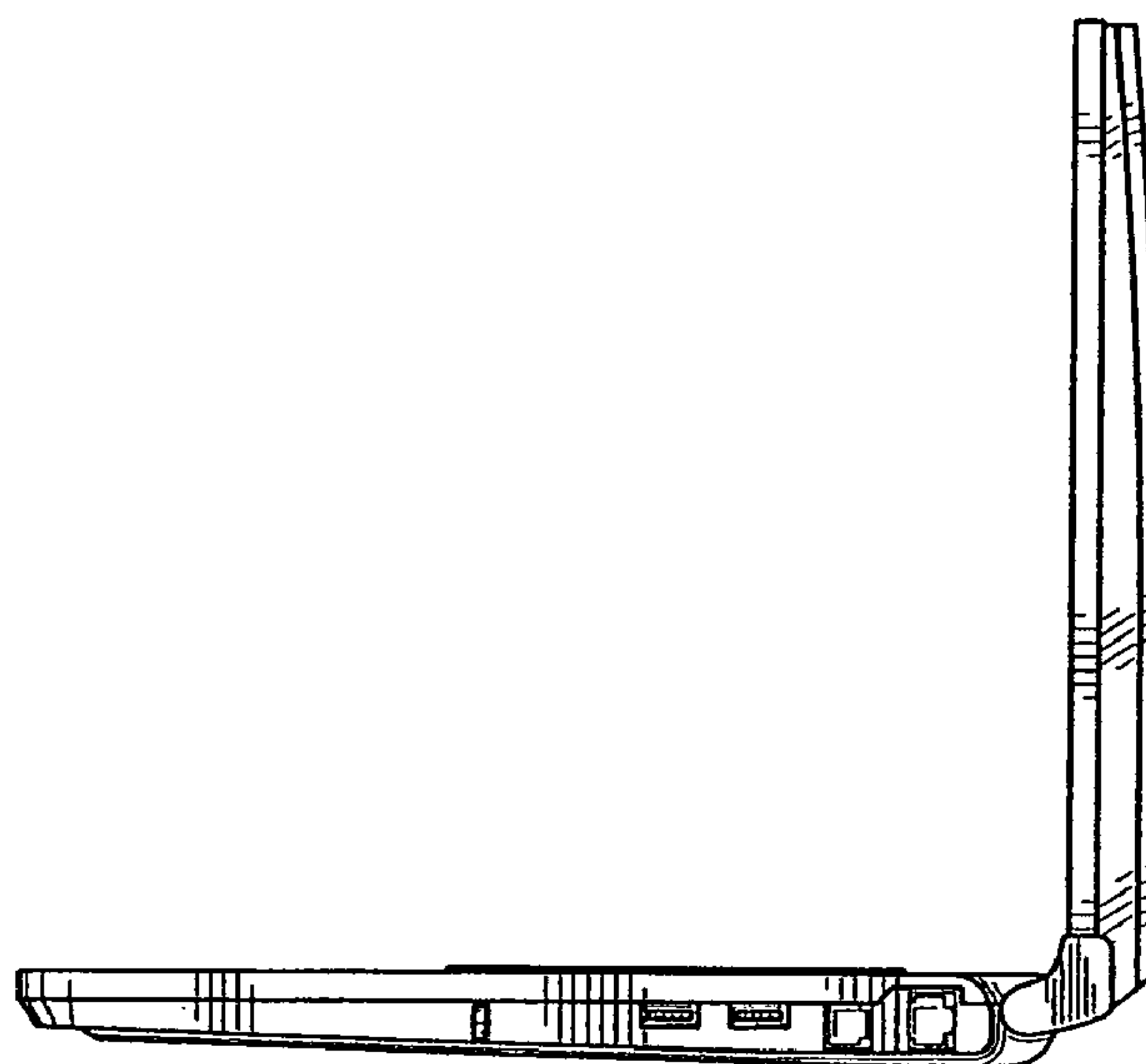


FIG. 6

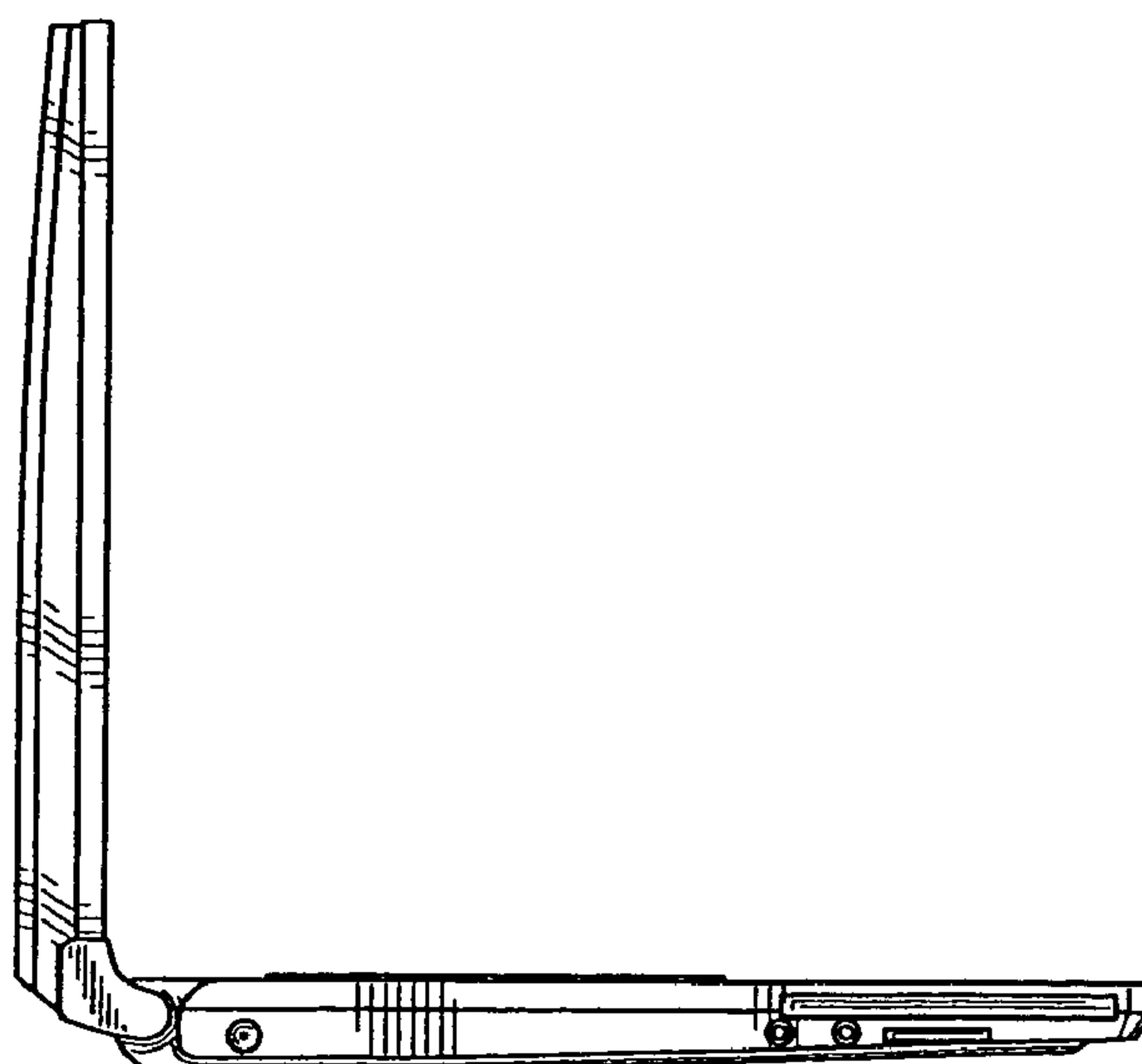


FIG. 7

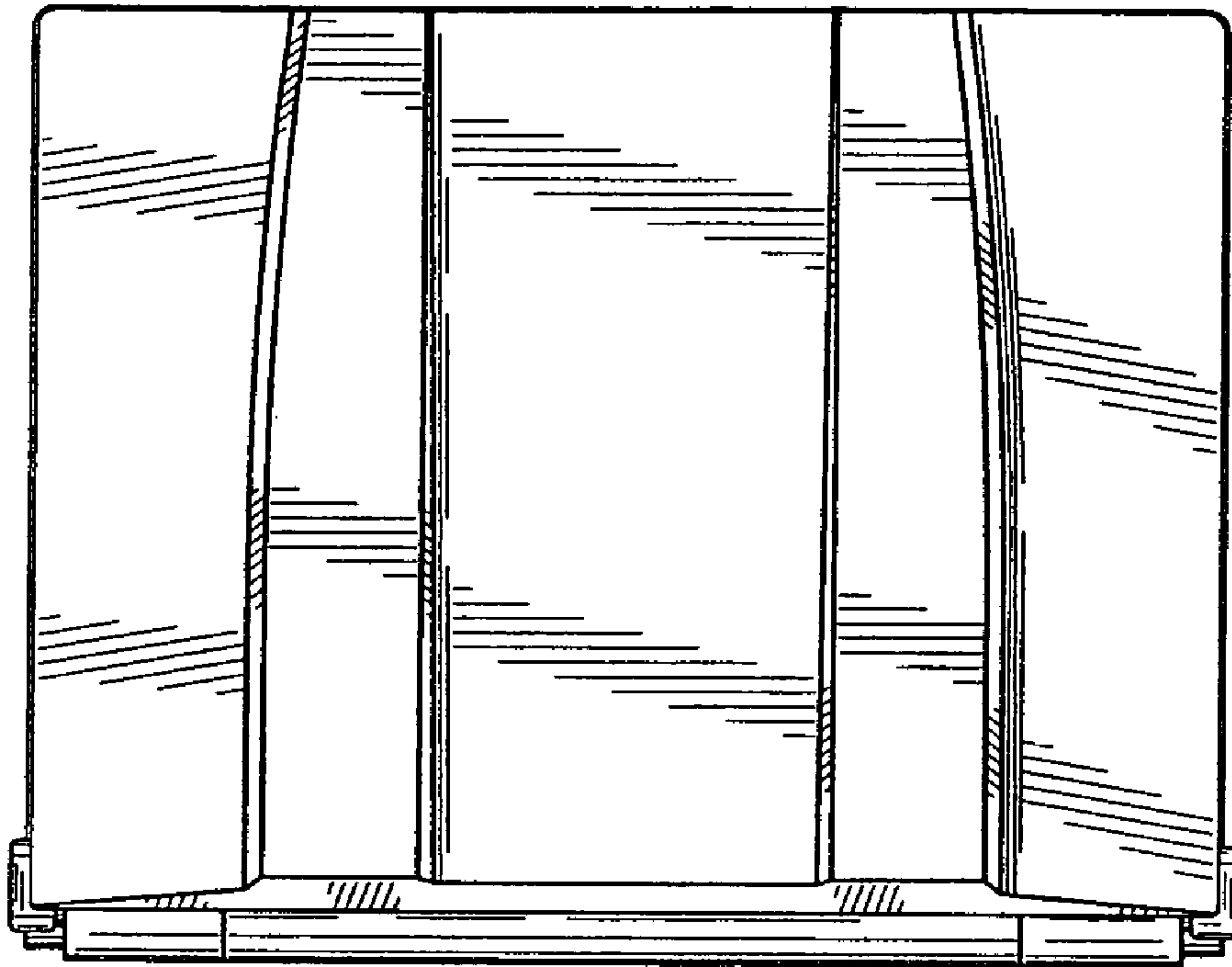


FIG. 8

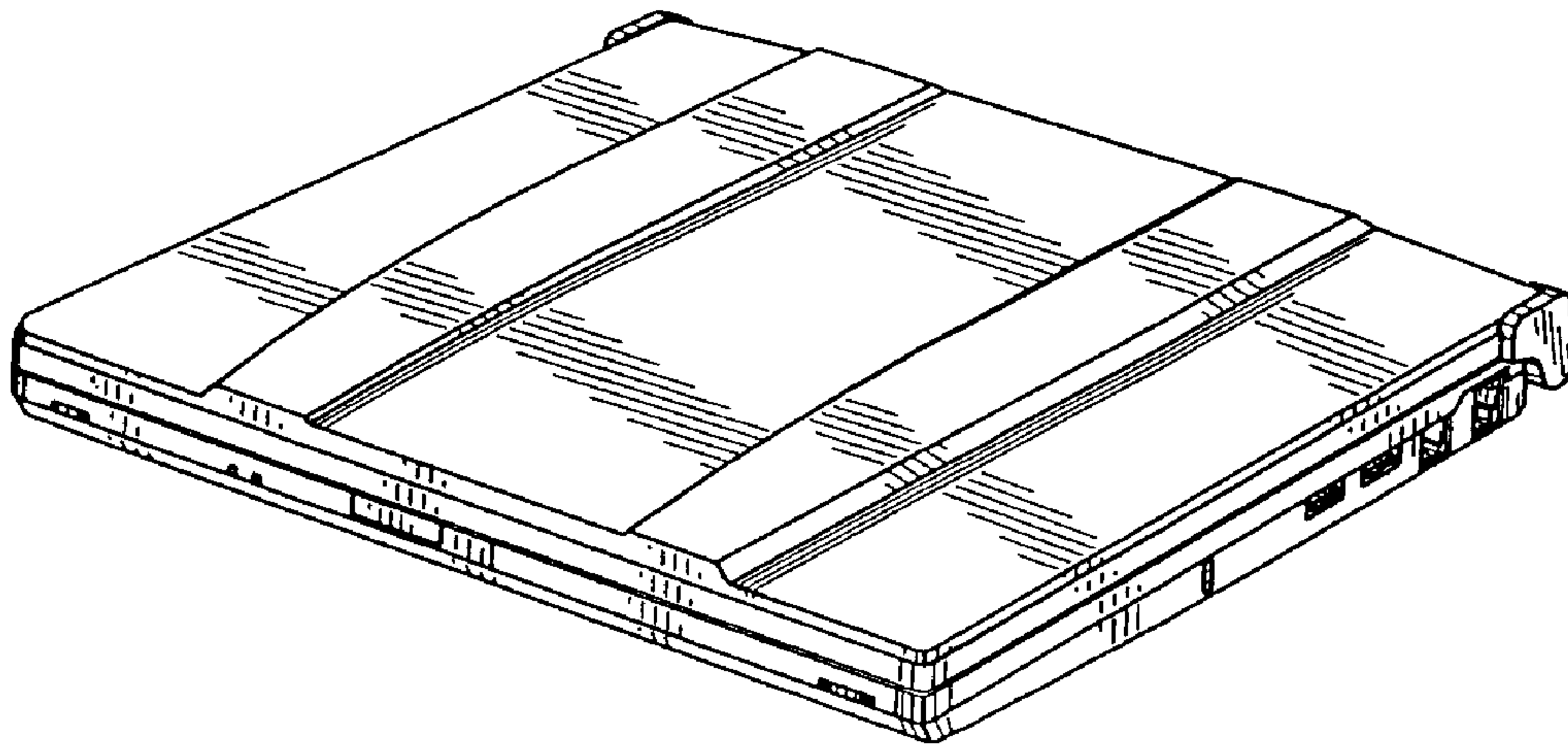


FIG. 9

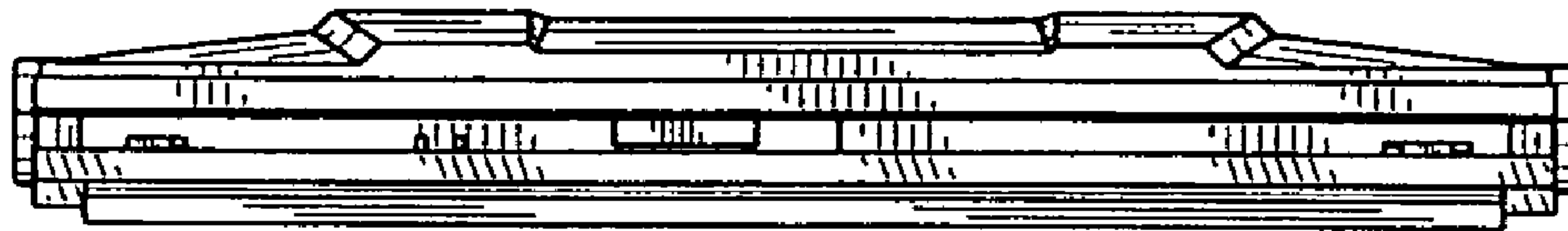


FIG. 10

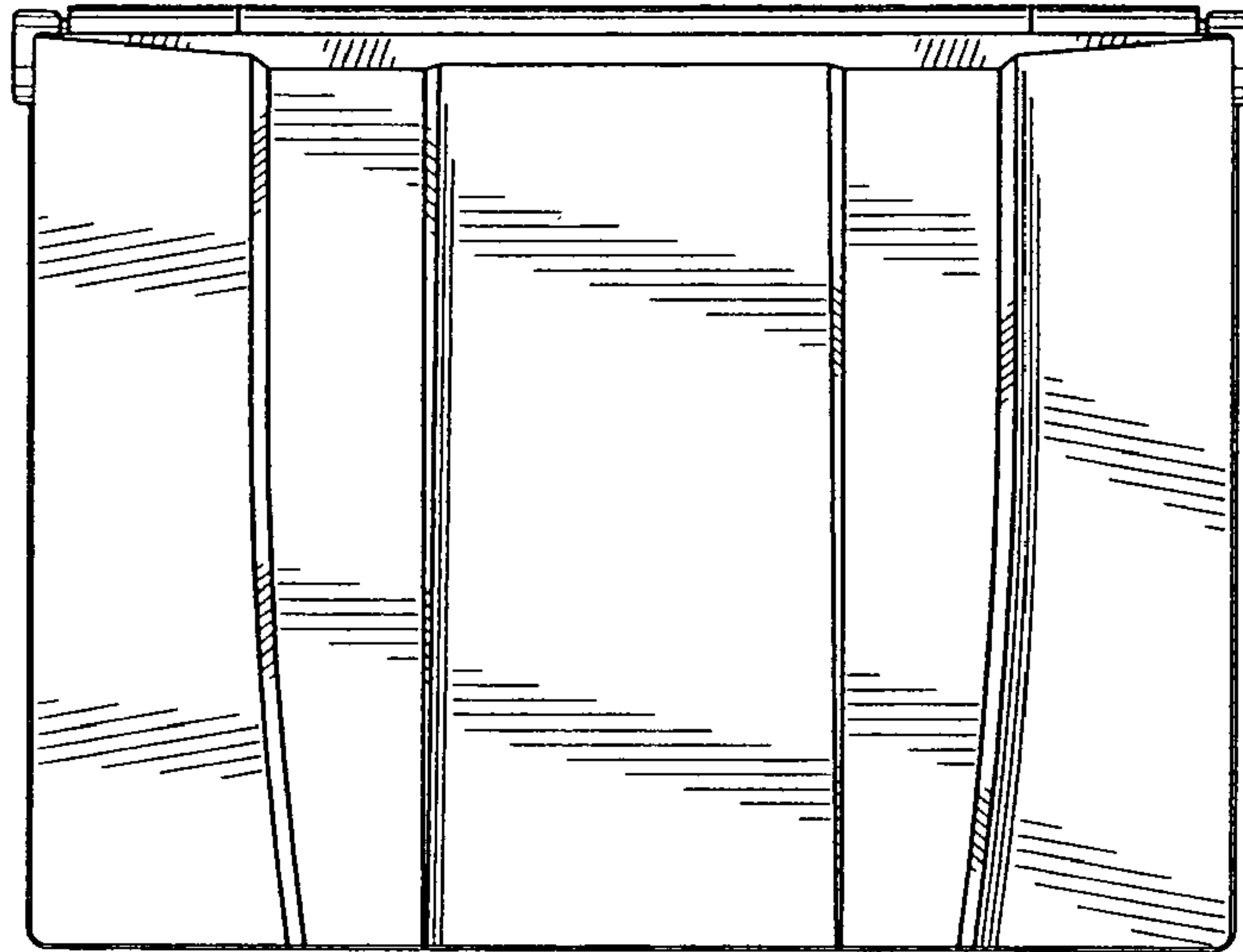


FIG. 11

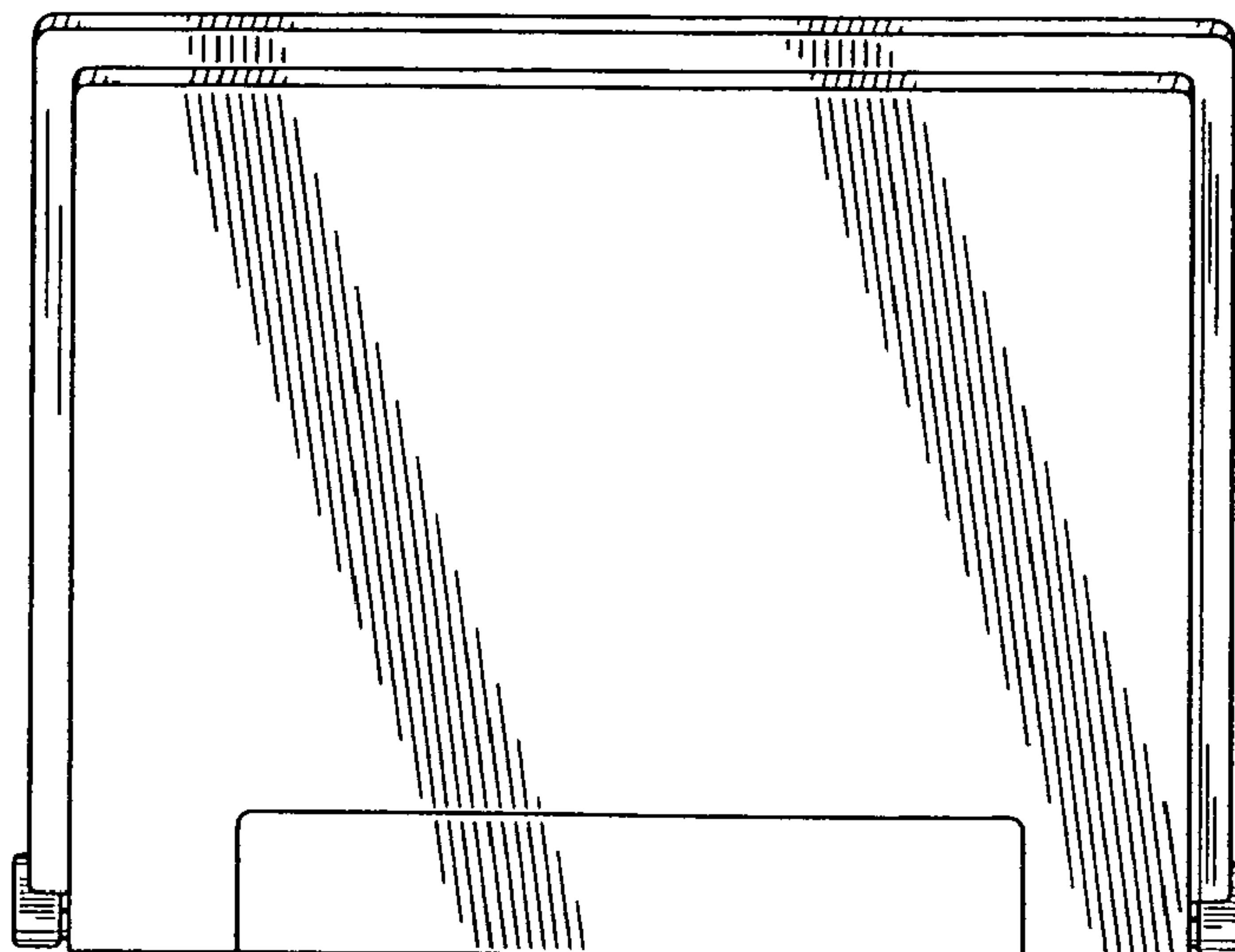


FIG. 12

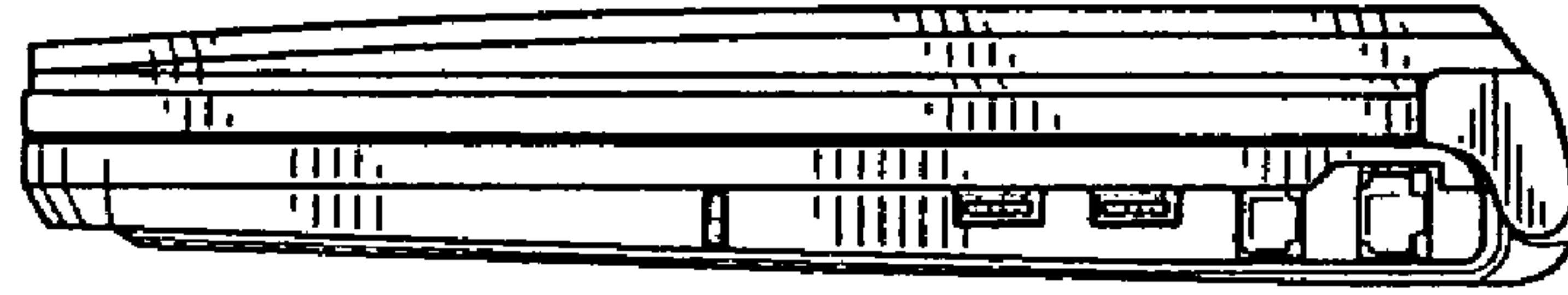


FIG. 13

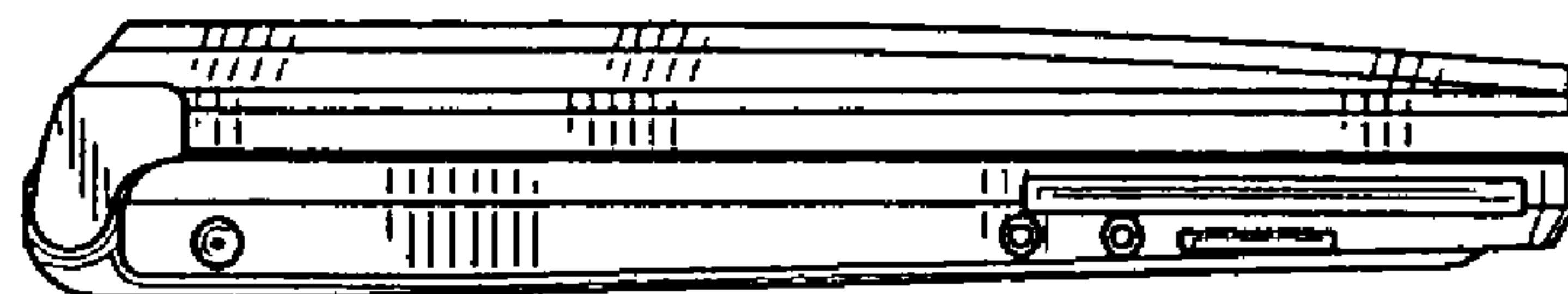


FIG. 14

