



US00D568307S

(12) **United States Design Patent**
Kaneshiro

(10) **Patent No.:** **US D568,307 S**

(45) **Date of Patent:** **** May 6, 2008**

(54) **PORTABLE COMPUTER**

(75) Inventor: **Tetsuya Kaneshiro**, Kadoma (JP)

(73) Assignee: **Matsushita Electric Industrial Co., Ltd.**, Osaka (JP)

(**) Term: **14 Years**

(21) Appl. No.: **29/267,556**

(22) Filed: **Oct. 17, 2006**

(30) **Foreign Application Priority Data**

Apr. 20, 2006 (JP) 2006-010267

(51) **LOC (8) Cl.** **14-02**

(52) **U.S. Cl.** **D14/315**

(58) **Field of Classification Search** D14/315-327;
D18/1, 2, 7; 235/145 A, 145 R; 341/22,
341/23; 345/104, 156, 167-169, 173, 1.1;
361/680-686, 690-696; 400/486, 489

See application file for complete search history.

(56) **References Cited**

U.S. PATENT DOCUMENTS

D332,781 S *	1/1993	Toedter	D14/322
D361,553 S	8/1995	De Iuliis		
D367,046 S	2/1996	Haraga et al.		
D426,817 S	6/2000	Sugano et al.		
D429,722 S	8/2000	Kikuchi		
D435,549 S	12/2000	Amano et al.		
D443,875 S	6/2001	Ma et al.		
D466,498 S *	12/2002	Wang	D14/318
D483,356 S	12/2003	Kobayashi		
D490,417 S *	5/2004	Chen et al.	D14/318
D498,753 S	11/2004	Yamada		

FOREIGN PATENT DOCUMENTS

JP 0893156 * 3/1994

JP	981355	5/1997
JP	984167	7/1997
JP	01013936	* 7/1998
JP	1041331	6/1999

(Continued)

OTHER PUBLICATIONS

Kaneshiro, U.S. Design Application entitled "Portable Computer", U.S. Appl. No. 29/267,555, filed Oct. 17, 2006.

(Continued)

Primary Examiner—Freda S Nunn

(74) *Attorney, Agent, or Firm*—Brinks Hofer Gilson & Lione

(57) **CLAIM**

I claim the ornamental design for a portable computer, as shown and described.

DESCRIPTION

FIG. 1 is a top perspective view of a portable computer of the present invention;

FIG. 2 is a front view thereof;

FIG. 3 is a top view thereof;

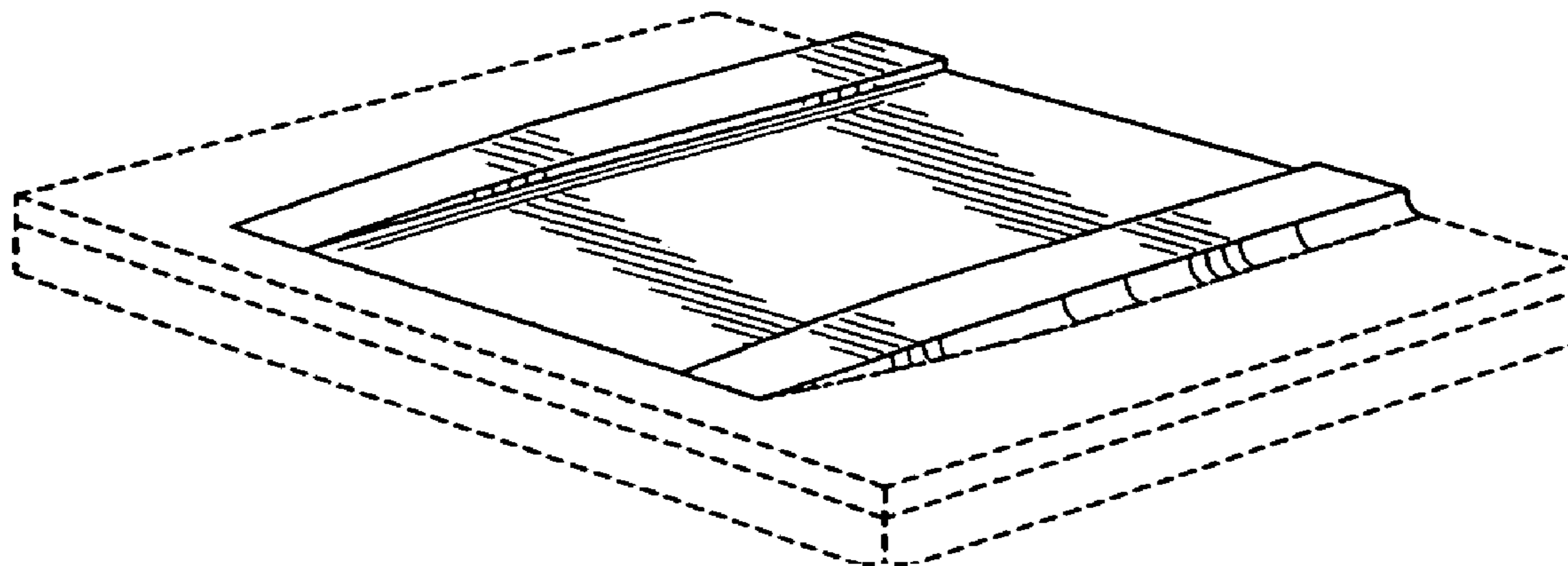
FIG. 4 is a bottom view thereof;

FIG. 5 is a right side view thereof, the left side view being a mirror image thereof; and,

FIG. 6 is a rear view thereof.

The ornamental design which is claimed is shown in solid lines in the drawings. Any broken lines in the drawings are for illustrative purposes only and form no part of the claimed design.

1 Claim, 3 Drawing Sheets



FOREIGN PATENT DOCUMENTS

JP	1065790	4/2000
JP	994094/10	7/2000
JP	934416	10/2000
JP	1094693	12/2000
JP	1094694	12/2000
JP	1094695	12/2000
JP	1098189	1/2001
JP	1099102	1/2001
JP	1100612	2/2001
JP	1103747	3/2001
JP	1113521	7/2001
JP	1119631	8/2001
JP	1119691	8/2001
JP	1120213	9/2001
JP	1121108	9/2001
JP	1121272	9/2001
JP	1122008	9/2001
JP	1127372	11/2001
JP	1127600	12/2001
JP	1128503	12/2001
JP	1128505	12/2001
JP	1128506	12/2001
JP	1128775	12/2001
JP	1128808	12/2001
JP	1129334	12/2001
JP	1131716	1/2002
JP	1143514	6/2002
JP	1145540	7/2002
JP	1161645	12/2002
JP	1176115	6/2003
JP	1177526	6/2003
JP	1186847	10/2003
JP	1189345	11/2003
JP	1198666	3/2004
JP	1214993	8/2004

JP	1215911	8/2004
JP	1129871	2/2005
JP	1230580	2/2005
JP	1259272	12/2005
JP	1260446	1/2006
SE	93-1848	* 8/1993

OTHER PUBLICATIONS

Kaneshiro, U.S. Design Application entitled "Portable Computer", U.S. Appl. No. 29/267,572, filed Oct. 17, 2006.
 Kaneshiro, U.S. Design Application entitled "Portable Computer", U.S. Appl. No. 29/267,592, filed Oct. 17, 2006.
 Nakagawa, U.S. Design Application entitled "Portable Computer", U.S. Appl. No. 29/267,649, filed Oct. 18, 2006.
 Nakagawa et al., U.S. Design Application entitled "Portable Computer", U.S. Appl. No. 29/267,650, filed Oct. 18, 2006.
 Kaneshiro et al., U.S. Design Application entitled "Portable Computer", U.S. Appl. No. 29/267,651, filed Oct. 18, 2006.
 Kaneshiro et al., U.S. Design Application entitled "Portable Computer", U.S. Appl. No. 29/267,660, filed Oct. 18, 2006.
 Nakagawa et al., U.S. Design Application entitled "Portable Computer", U.S. Appl. No. 29/267,661, filed Oct. 18, 2006.
 Nakagawa et al., U.S. Design Application entitled "Portable Computer", U.S. Appl. No. 29/267,662, filed Oct. 18, 2006.
 Kaneshiro et al., U.S. Design Application entitled "Portable Computer", U.S. Appl. No. 29/267,663, filed Oct. 18, 2006.
 Nakagawa et al., U.S. Design Application entitled "Portable Computer", U.S. Appl. No. 29/267,664, filed Oct. 18, 2006.
 Nakagawa, U.S. Design Application entitled "Portable Computer", U.S. Appl. No. 29/267,665, filed Oct. 18, 2006.
 Nakagawa, U.S. Design Application entitled "Portable Computer", U.S. Appl. No. 29/267,714, filed Oct. 18, 2006.
 The magazine "PC User," issued in Feb. 2006 by Softbank Creative Inc.

* cited by examiner

FIG. 1

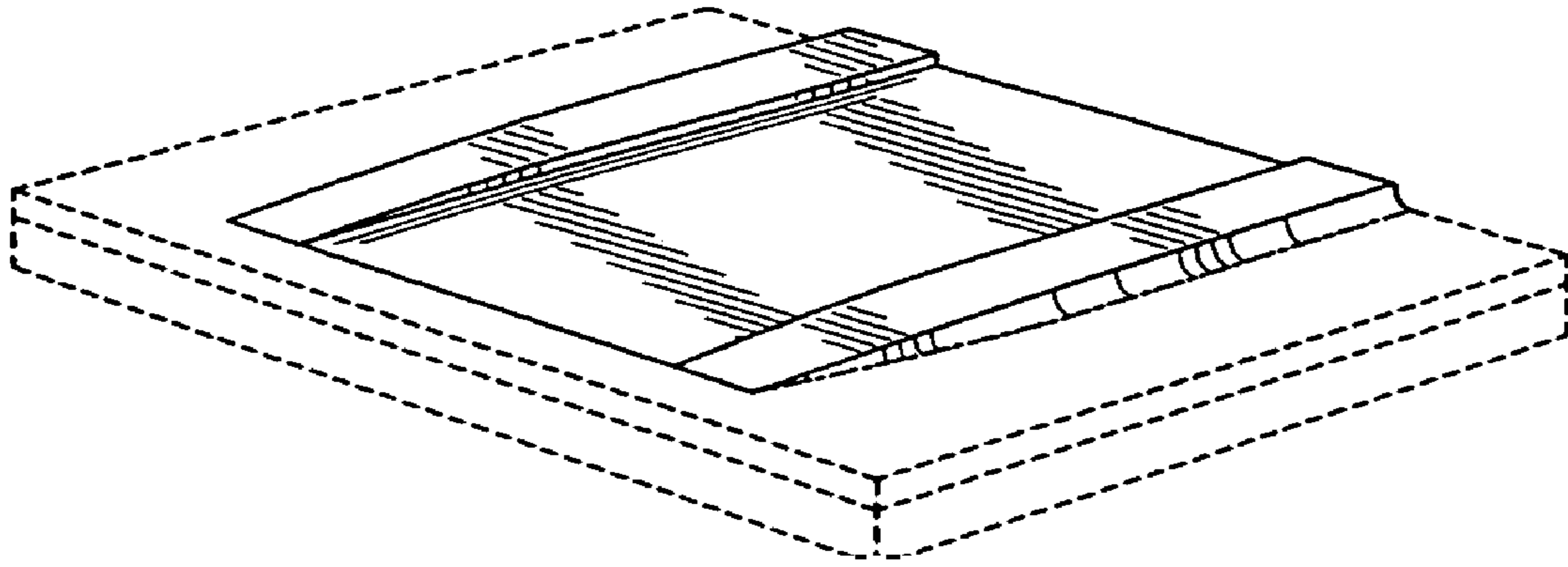


FIG. 2

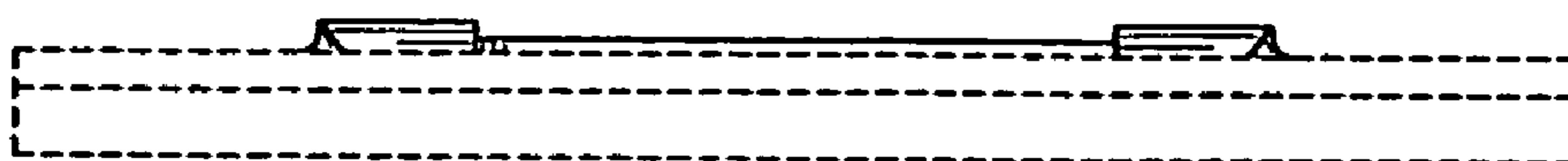


FIG. 3

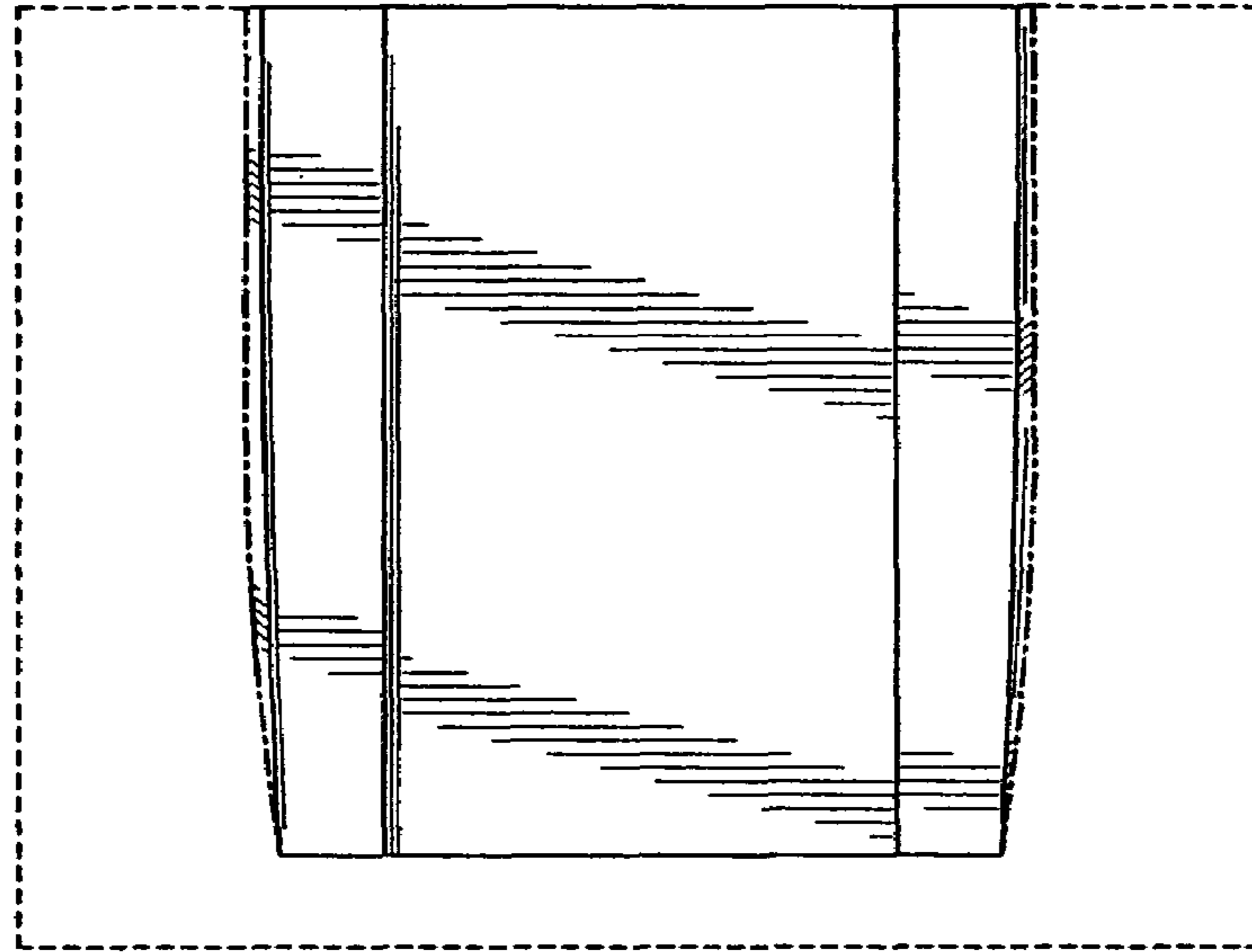


FIG. 4

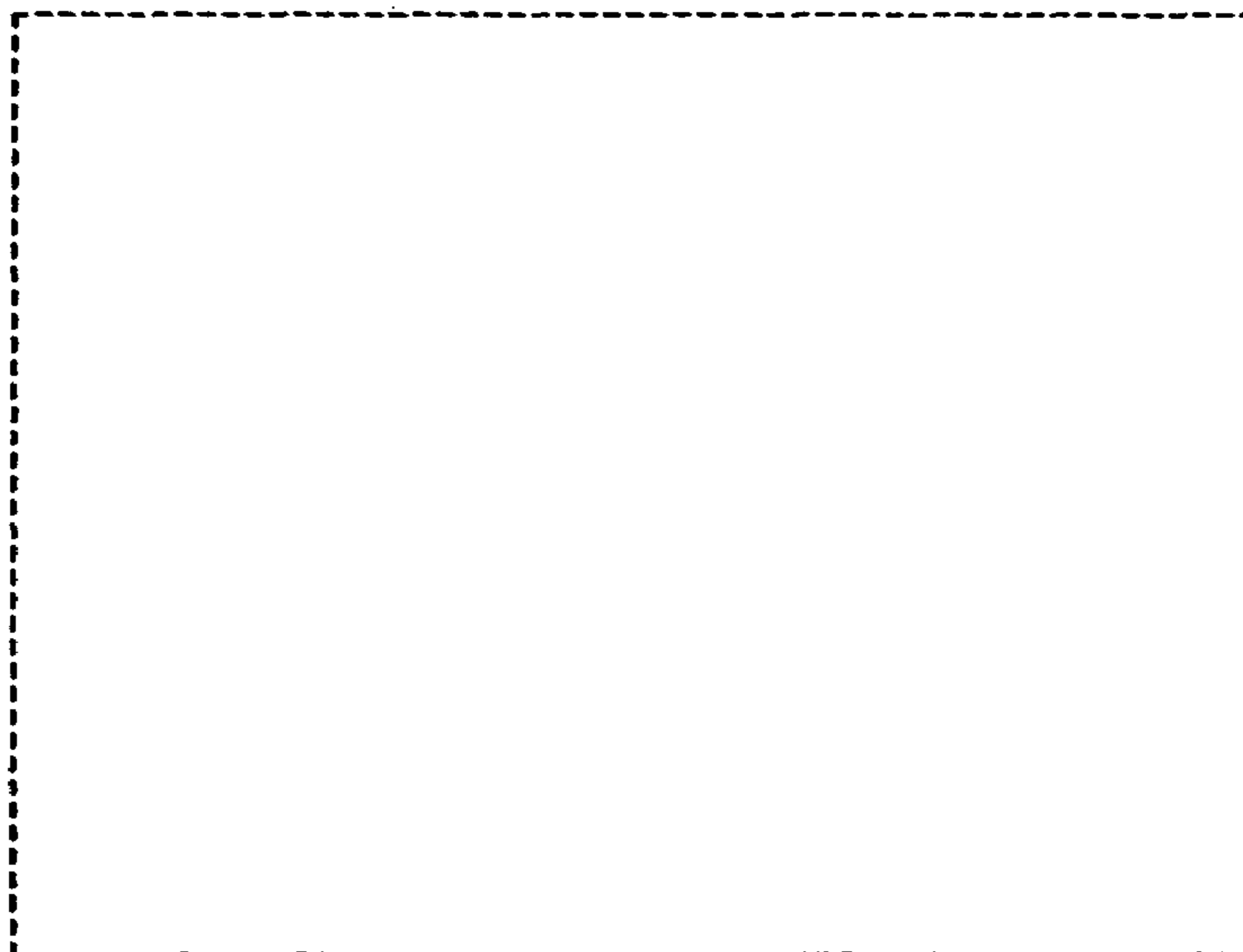


FIG. 5

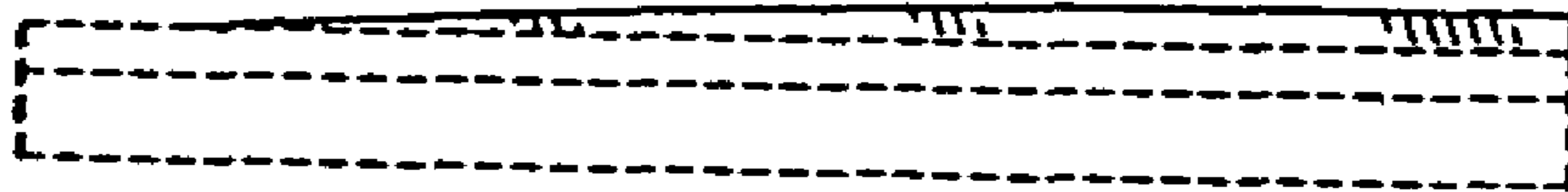


FIG. 6

