



US00D568301S

(12) **United States Design Patent**
Kim et al.

(10) **Patent No.:** **US D568,301 S**

(45) **Date of Patent:** **** *May 6, 2008**

(54) **HEADSET**

(75) Inventors: **Dong Kyu Kim**, Namyangju-Si (KR);
Yang Jic Lee, Seoul (KR); **Beom Ku Han**, Seoul (KR); **Chang Hwan Hwang**, Kyunggido (KR)

(73) Assignee: **Samsung Electronics Co., Ltd.** (KR)

(*) Notice: This patent is subject to a terminal disclaimer.

(**) Term: **14 Years**

(21) Appl. No.: **29/251,528**

(22) Filed: **Jan. 9, 2006**

(30) **Foreign Application Priority Data**

Oct. 27, 2005 (KR) 30-2005-0036242

(51) **LOC (8) Cl.** **14-01**

(52) **U.S. Cl.** **D14/223; D14/205**

(58) **Field of Classification Search** D14/138,
D14/188, 192, 205, 206, 223; 181/129–130;
379/430, 431, 432, 433, 434; 381/381, 370,
381/375, 376, 377, 378, 379, 380, 385; D24/174;
455/344, 347, 350–351

See application file for complete search history.

(56) **References Cited**

U.S. PATENT DOCUMENTS

D326,653 S * 6/1992 Hino D14/192
D471,889 S * 3/2003 Rath et al. D14/205
D479,834 S * 9/2003 Salazar et al. D14/205
6,771,790 B2 * 8/2004 Liu 381/385
D504,884 S * 5/2005 Hering D14/206

D508,485 S * 8/2005 Katsumata D14/223
D509,210 S * 9/2005 Skulley et al. D14/205
D512,991 S * 12/2005 Yano D14/223
7,020,300 B1 * 3/2006 Villaverde 381/375
D526,313 S * 8/2006 Murray D14/223
D528,529 S * 9/2006 Rose et al. D14/138
D528,531 S * 9/2006 Rose et al. D14/138

* cited by examiner

Primary Examiner—Paula A. Greene

(74) *Attorney, Agent, or Firm*—Irving Keschner

(57) **CLAIM**

The ornamental design for headset, as shown.

DESCRIPTION

FIG. 1 is a front perspective view of a headset showing our new design;

FIG. 2 is a front elevational view of the ornamental design of the present invention;

FIG. 3 is a rear elevational view of the ornamental design of the present invention;

FIG. 4 is a left side elevational view of the ornamental design of the present invention;

FIG. 5 is a right side elevational view of the ornamental design of the present invention;

FIG. 6 is a top plan view of the ornamental design of the present invention;

FIG. 7 is a bottom view of the ornamental design of the present invention; and,

FIG. 8 is a rear perspective view of the headset of the present invention.

1 Claim, 4 Drawing Sheets

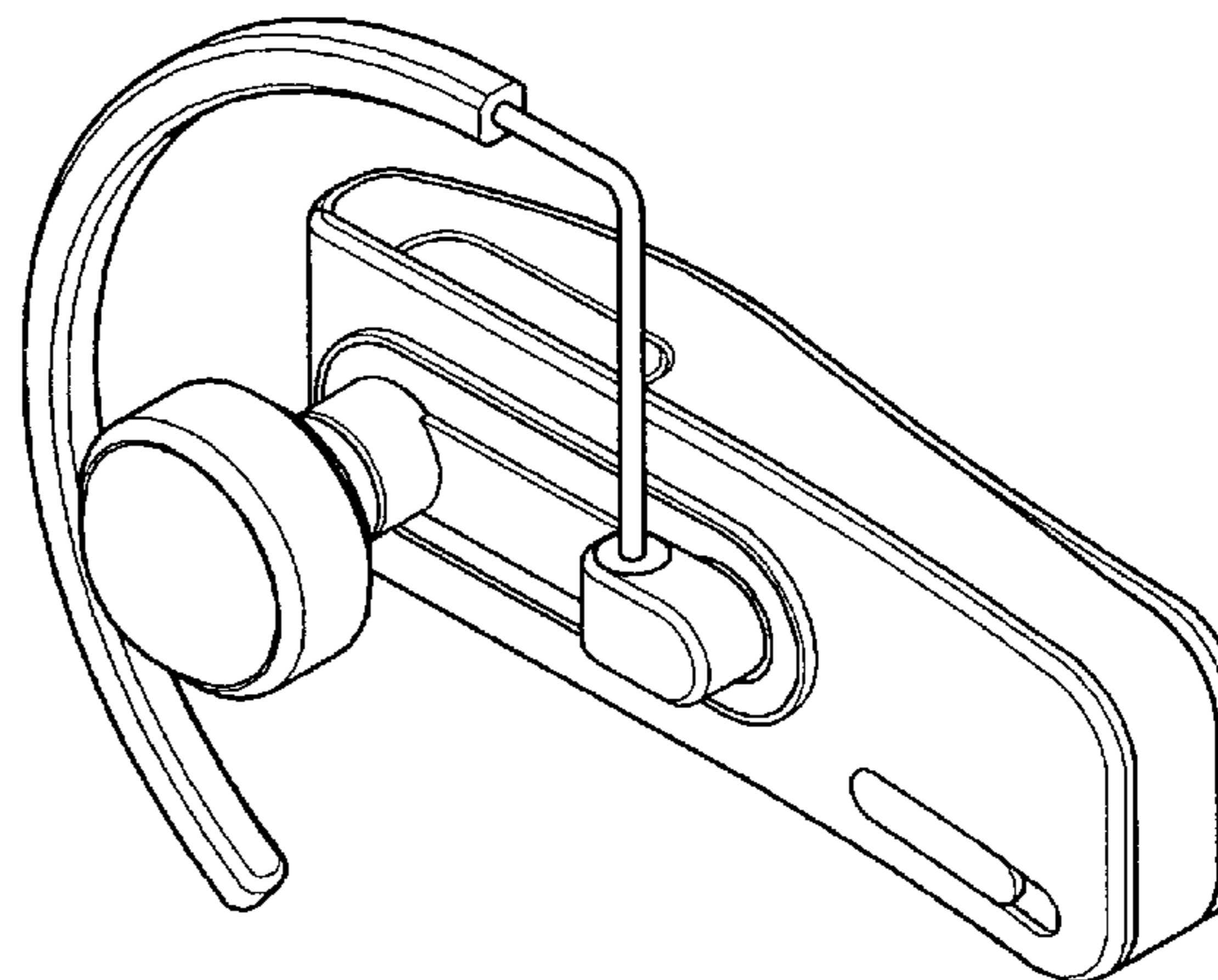
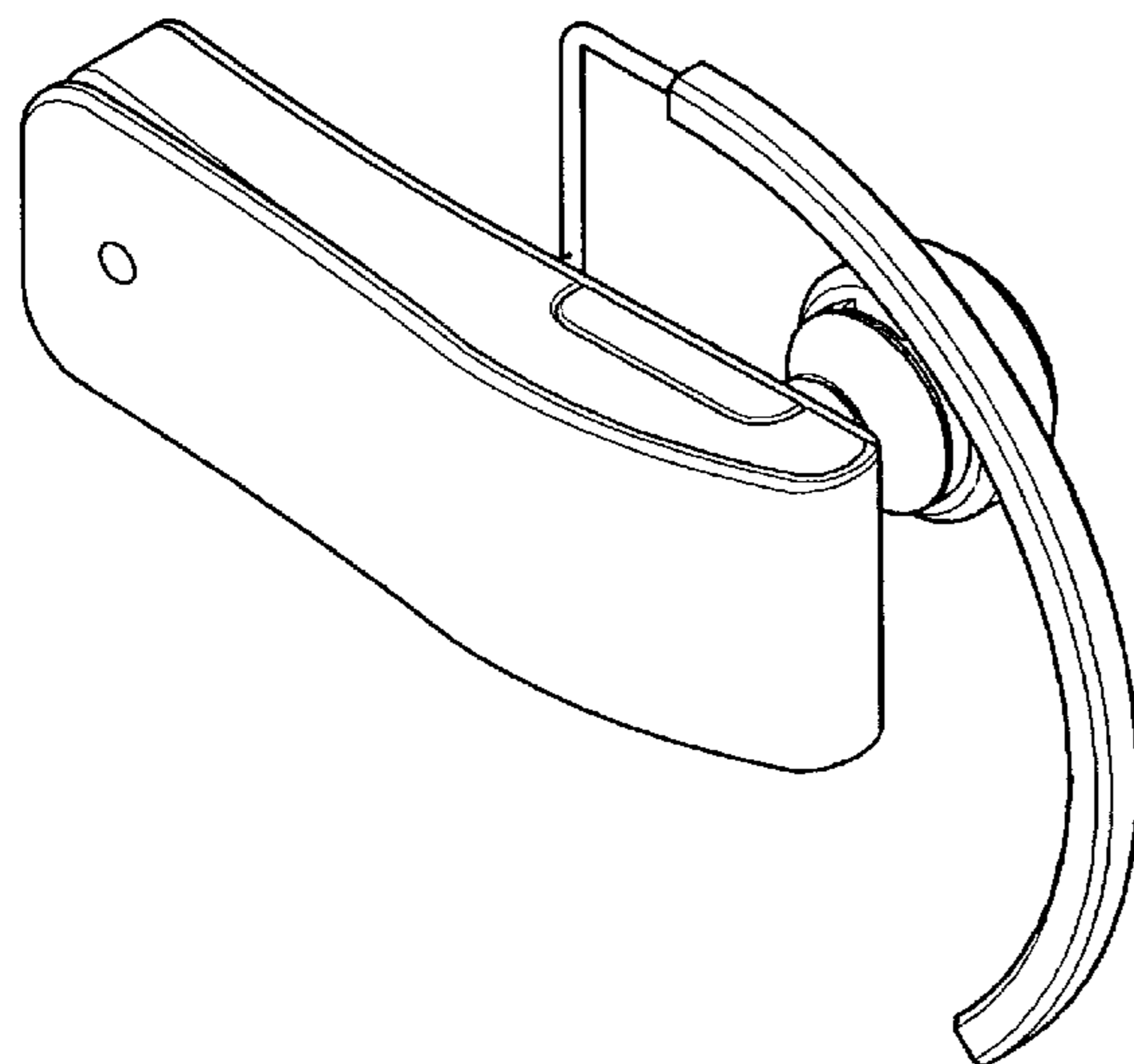


Fig. 1

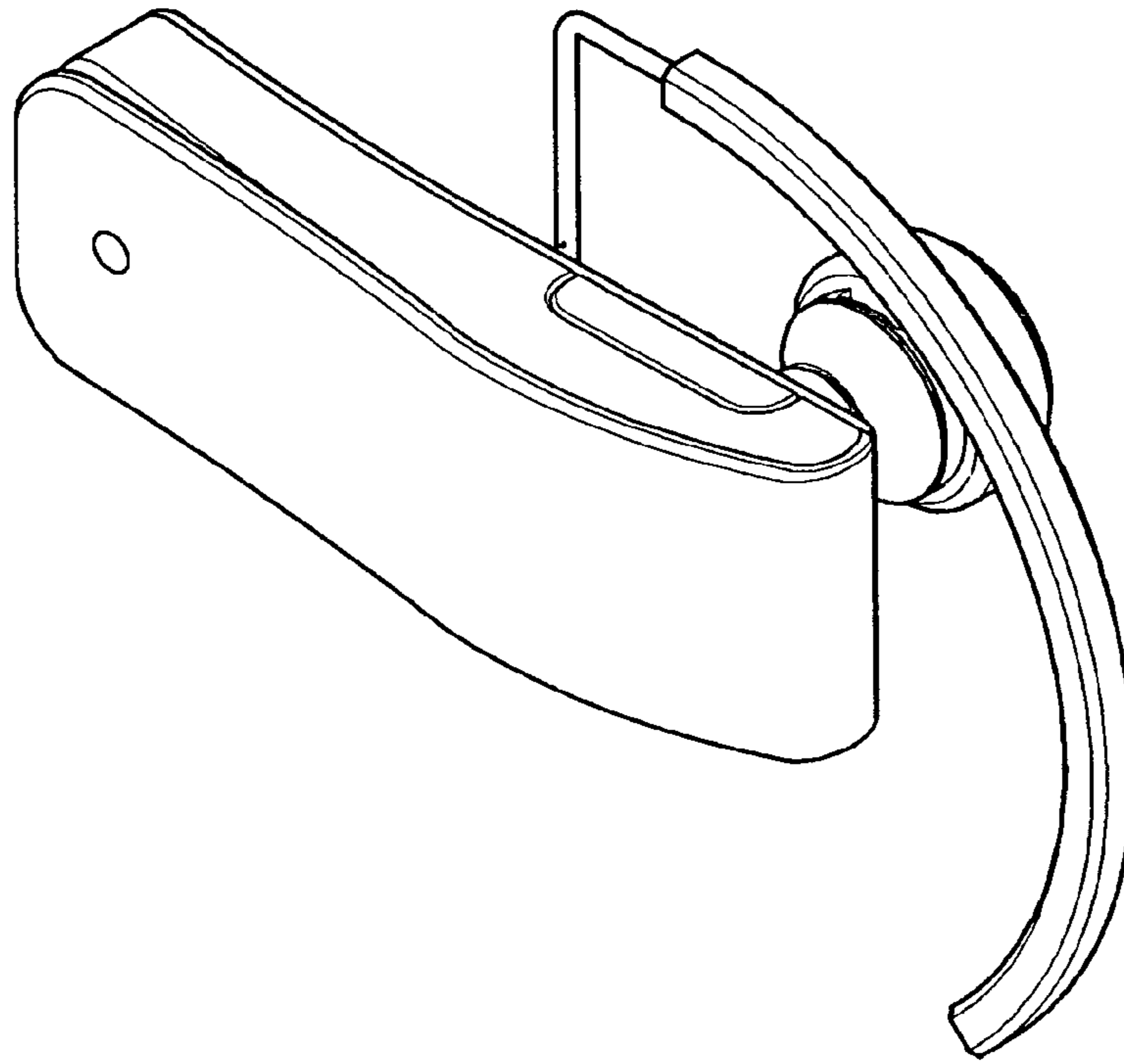


Fig. 2

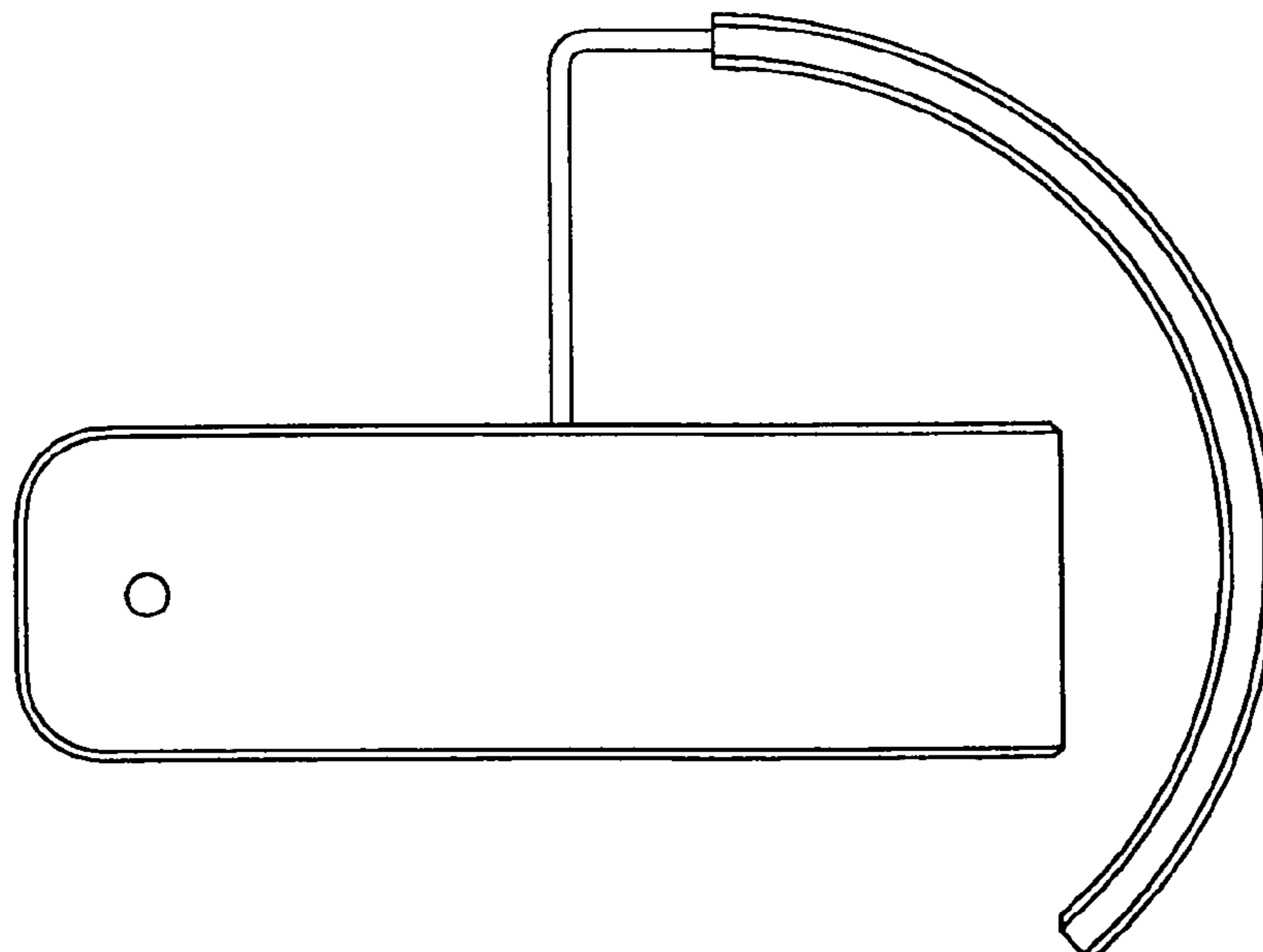


Fig. 3

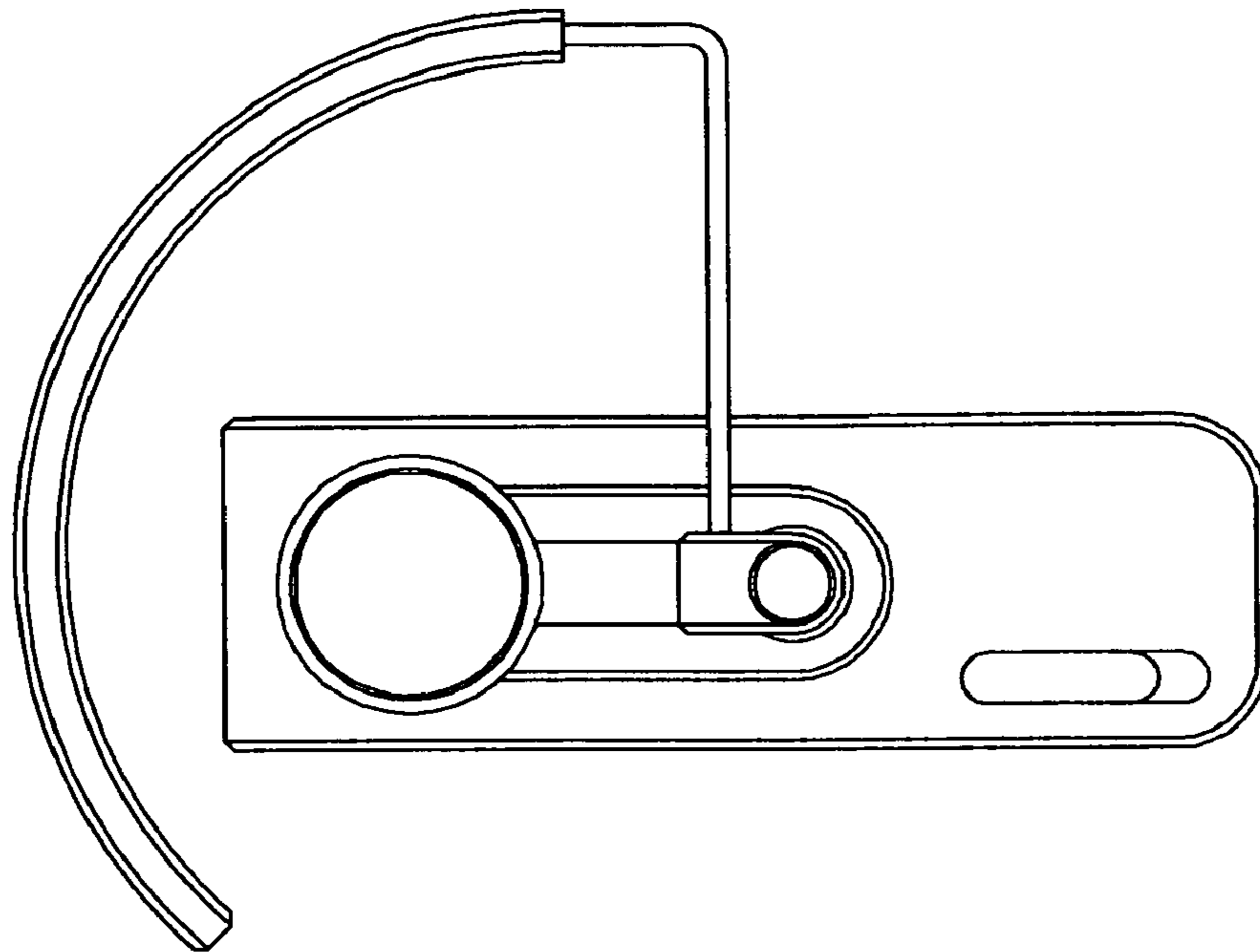


Fig. 4

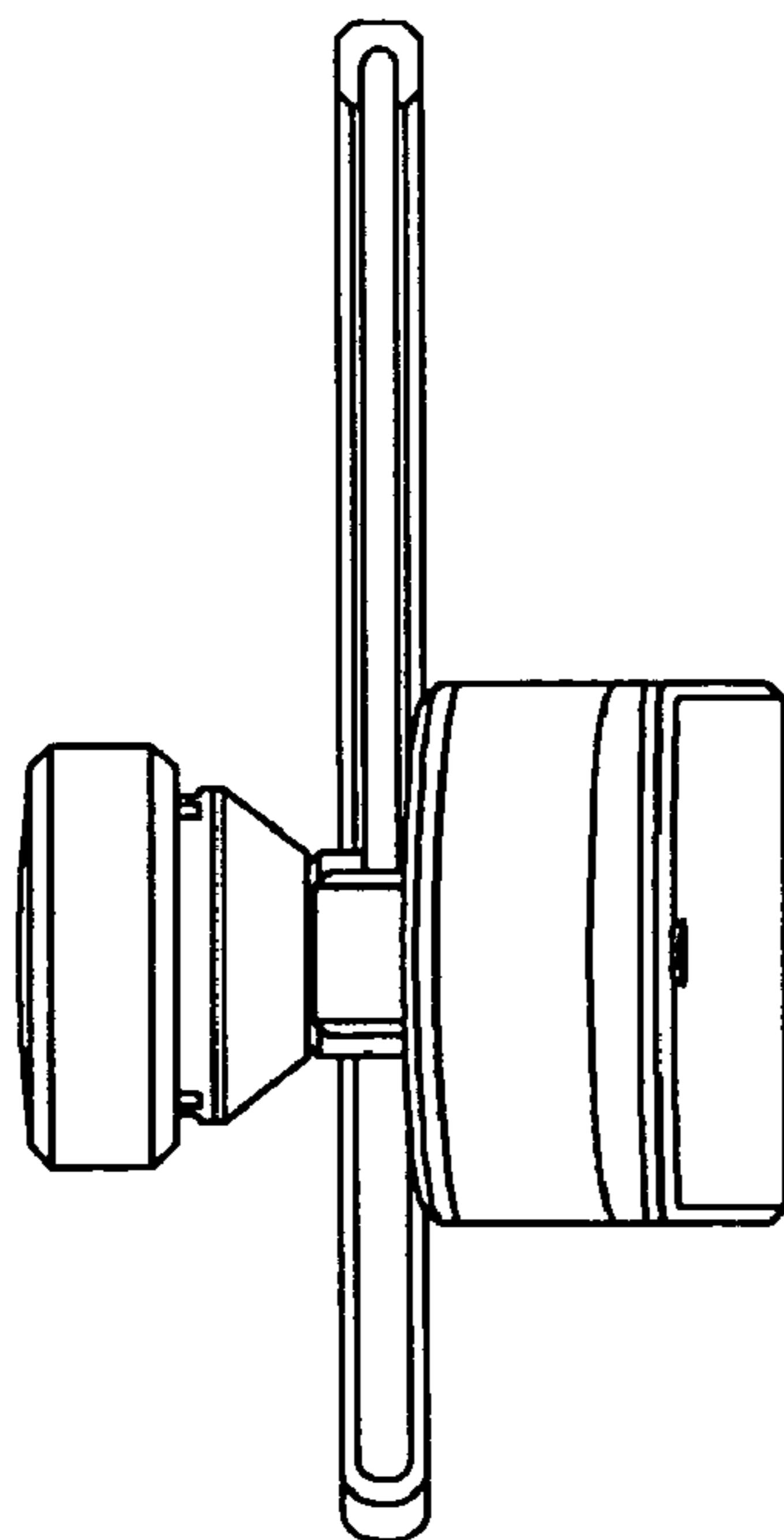


Fig. 5

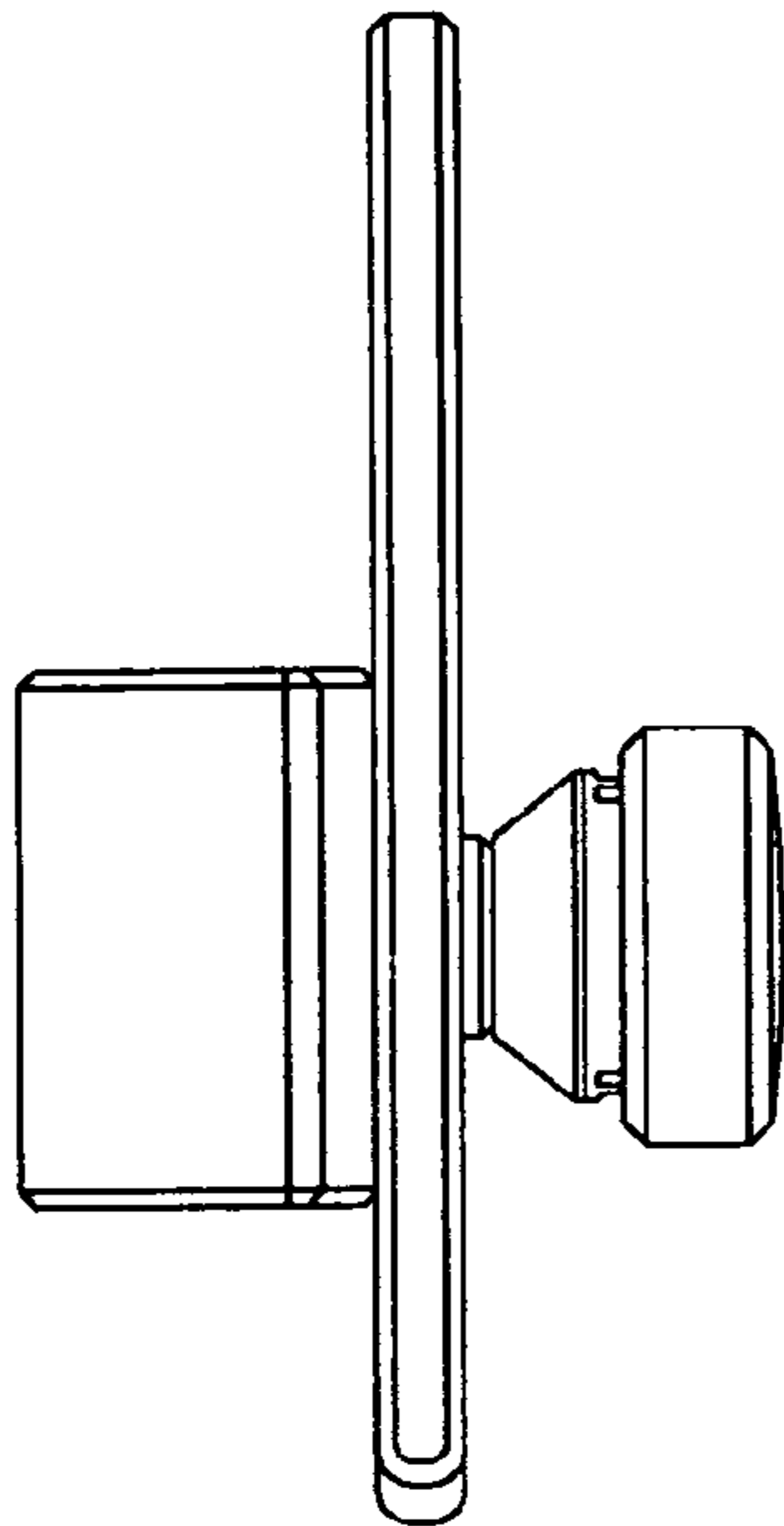


Fig. 6

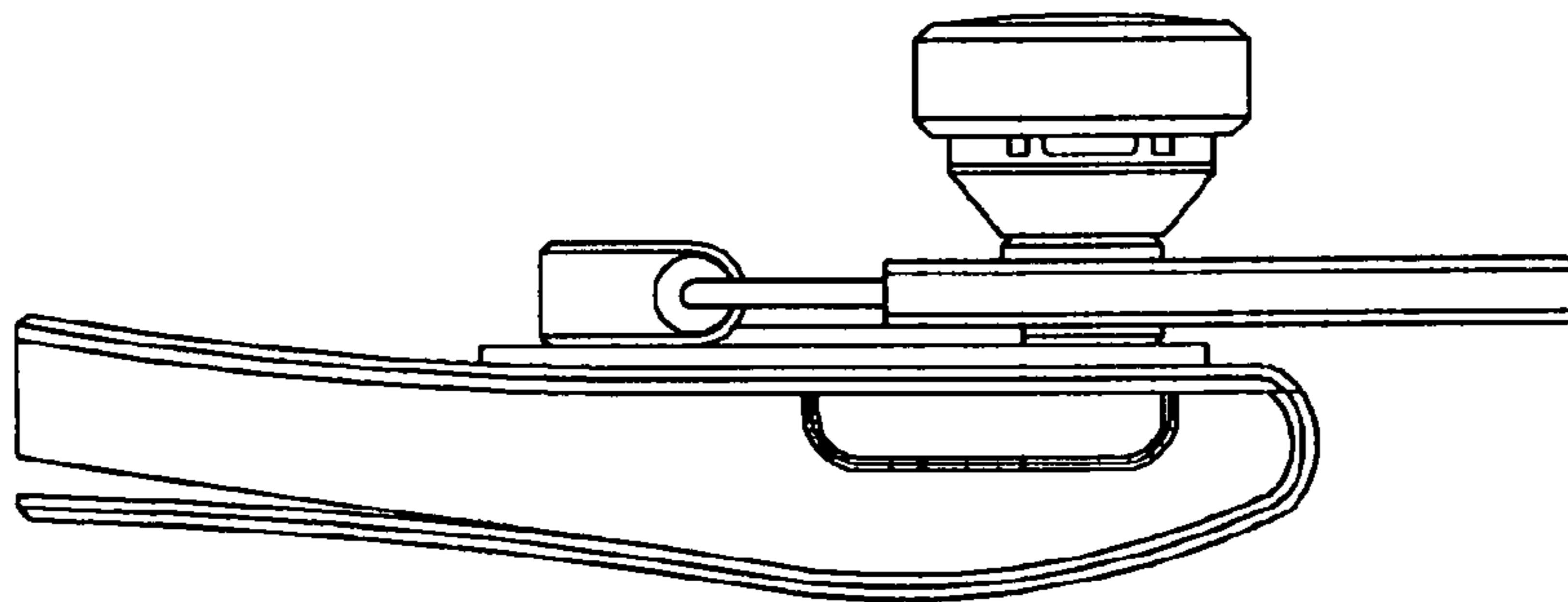


Fig. 7

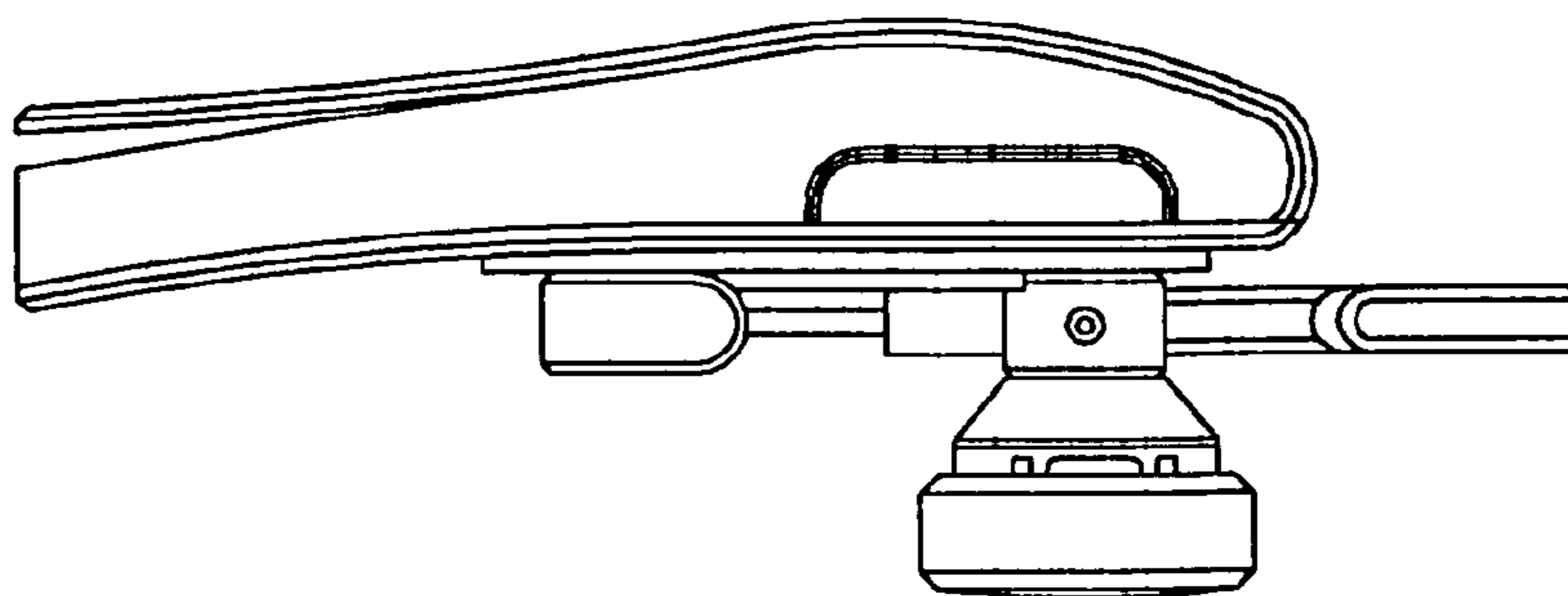


Fig. 8

