



US00D568300S

(12) **United States Design Patent**
Akaishi et al.

(10) **Patent No.:** **US D568,300 S**

(45) **Date of Patent:** **** May 6, 2008**

(54) **LOUDSPEAKER**

(75) Inventors: **Hiroki Akaishi**, Tokyo (JP); **Yuki Iida**, Tokyo (JP)

(73) Assignee: **Pioneer Kabushiki Kaisha**, Tokyo (JP)

(**) Term: **14 Years**

(21) Appl. No.: **29/272,807**

(22) Filed: **Feb. 20, 2007**

(30) **Foreign Application Priority Data**

Nov. 2, 2006 (JP) 2006-030008

(51) **LOC (8) Cl.** **14-01**

(52) **U.S. Cl.** **D14/222**

(58) **Field of Classification Search** D14/204,
D14/209-216, 219-222; 181/143-144, 147-148,
181/150, 157, 198-199, 151, 153; 381/300-302,
381/306, 333, 345, 361-364, 386-388, 332,
381/336

See application file for complete search history.

(56) **References Cited**

U.S. PATENT DOCUMENTS

5,418,337 A * 5/1995 Schreiber 181/171
D473,216 S * 4/2003 Irby et al. D14/222
D489,359 S * 5/2004 Hakoda D14/215
D497,902 S * 11/2004 Farinelli et al.
D506,992 S * 7/2005 Suzuki D14/221

FOREIGN PATENT DOCUMENTS

JP S-1191943 12/2003

JP S-1223334 11/2004
JP S-1241701 6/2005
JP S-1241800 6/2005
JP S-1269145 4/2006
JP S-1269160 4/2006

OTHER PUBLICATIONS

Pioneer Dealer Manual, published by Pioneer Europe N.V., 47 pp. (2001).

* cited by examiner

Primary Examiner—Nanda Bondade

(74) *Attorney, Agent, or Firm*—Oliff & Berridge, PLC

(57) **CLAIM**

The ornamental design for a loudspeaker, as shown and described.

DESCRIPTION

FIG. 1 is a perspective view of a loudspeaker showing our new design;

FIG. 2 is a front elevational view thereof;

FIG. 3 is a rear elevational view thereof;

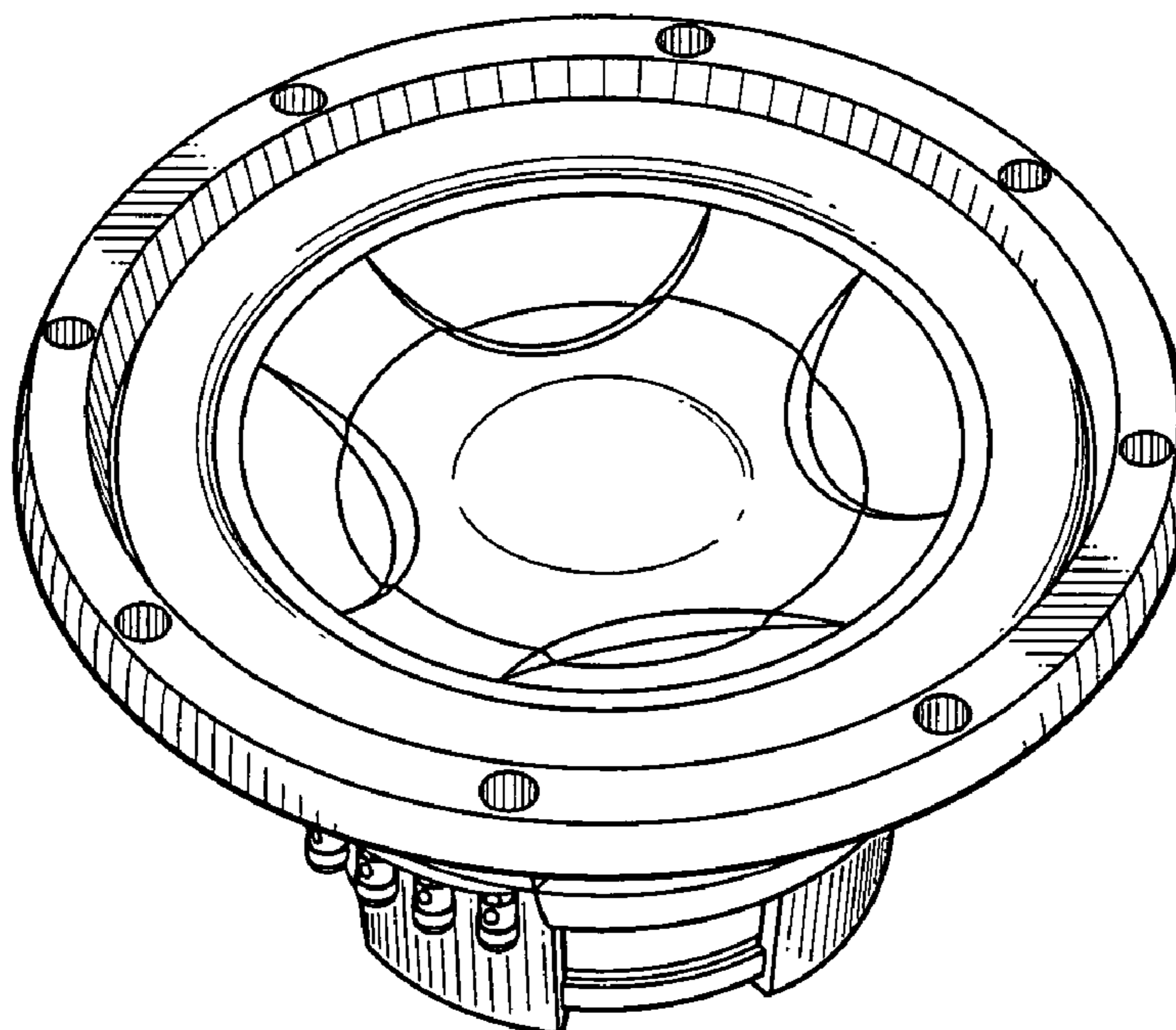
FIG. 4 is a left side elevational view thereof;

FIG. 5 is a right side elevational view thereof;

FIG. 6 is a top plan view thereof; and,

FIG. 7 is a bottom view thereof.

1 Claim, 3 Drawing Sheets



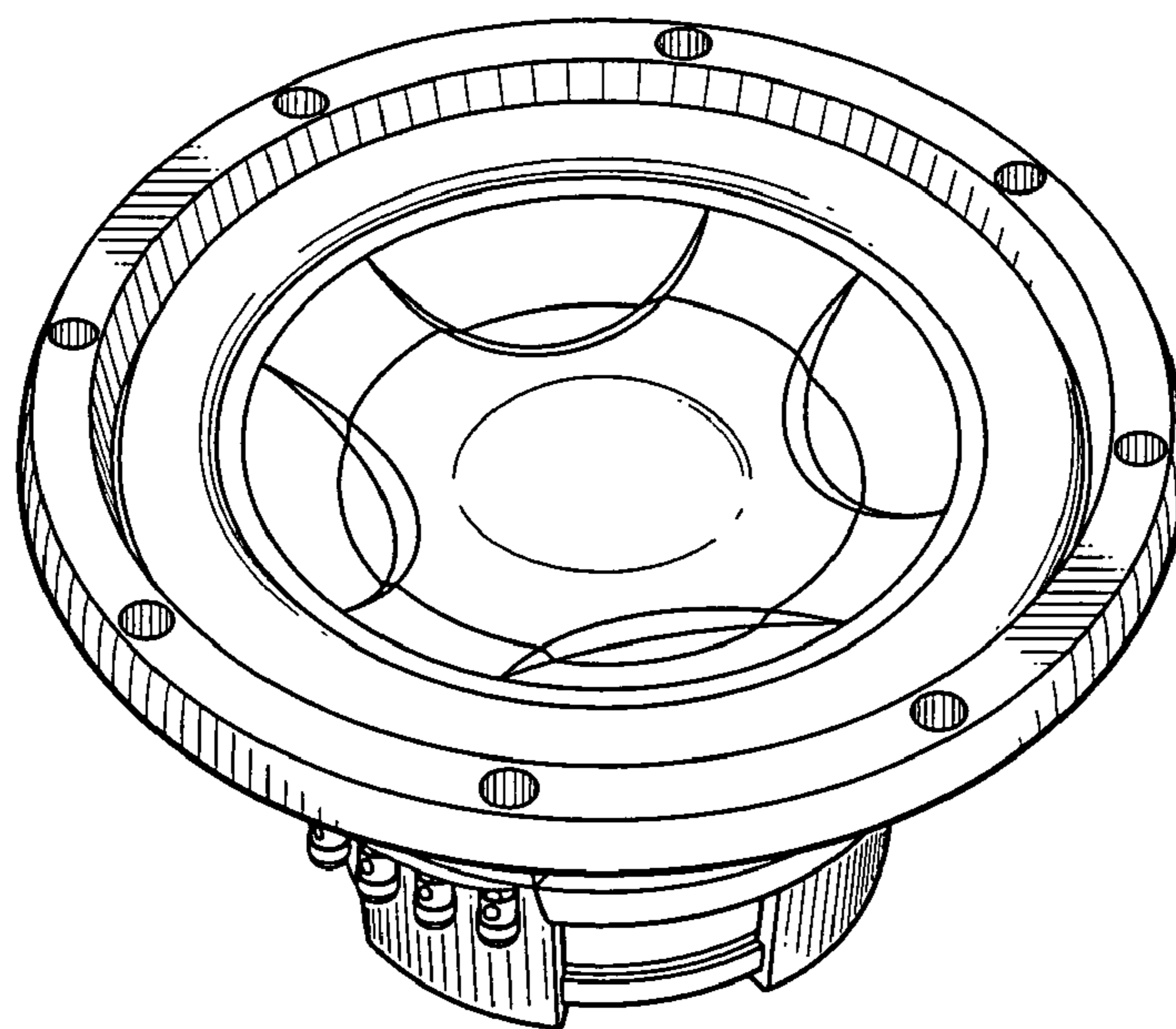


FIG. 1

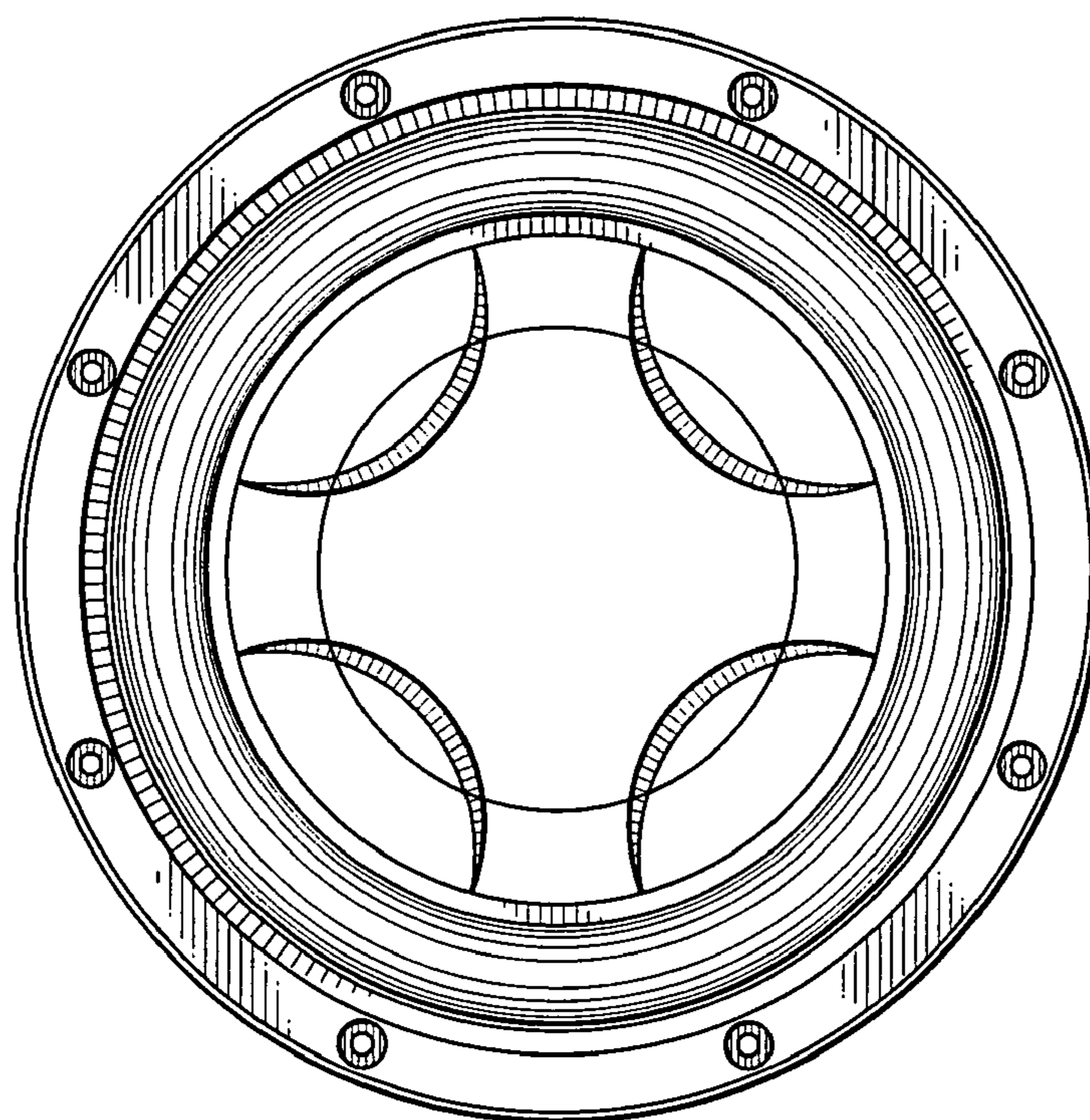


FIG. 2

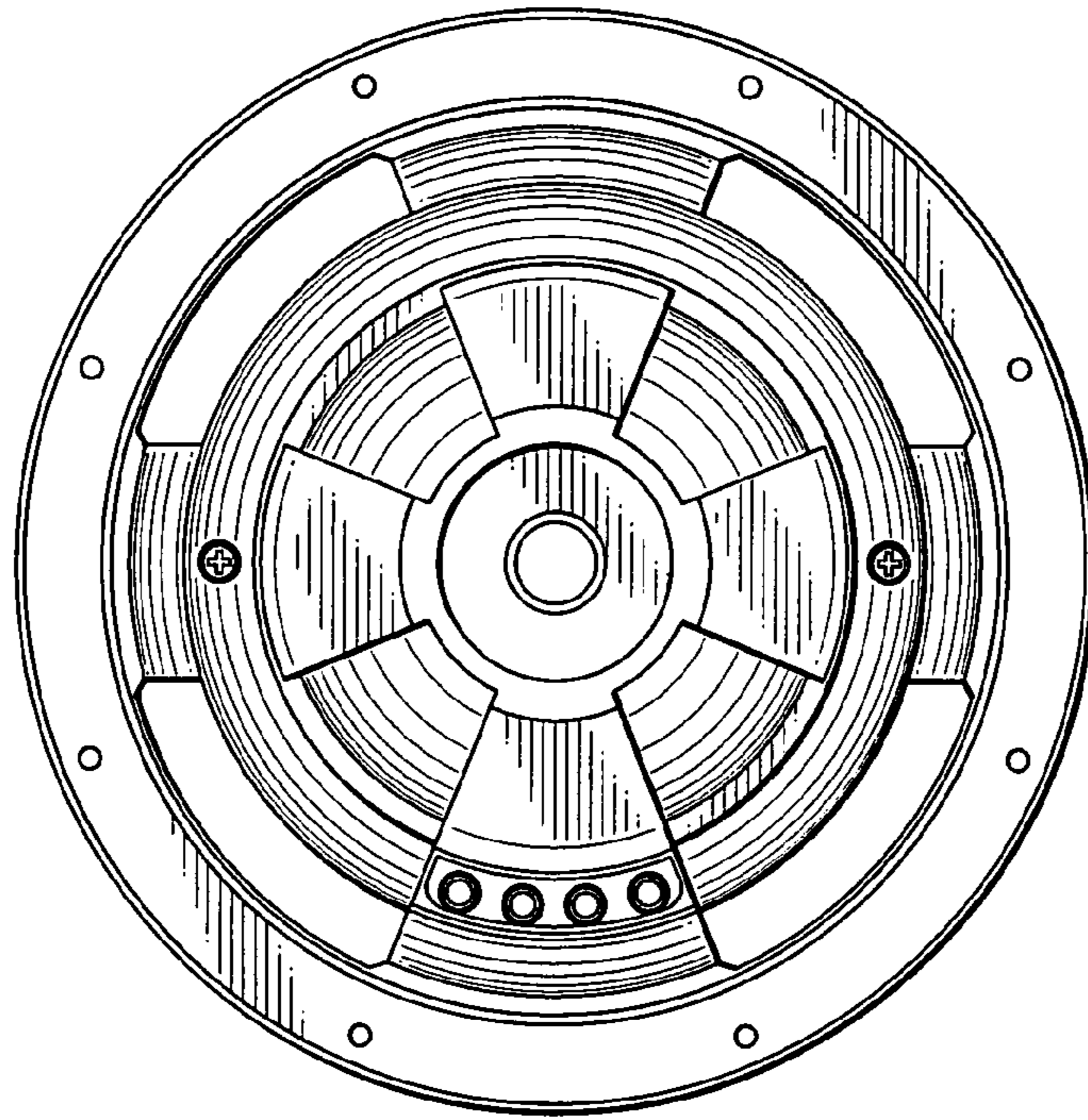


FIG. 3

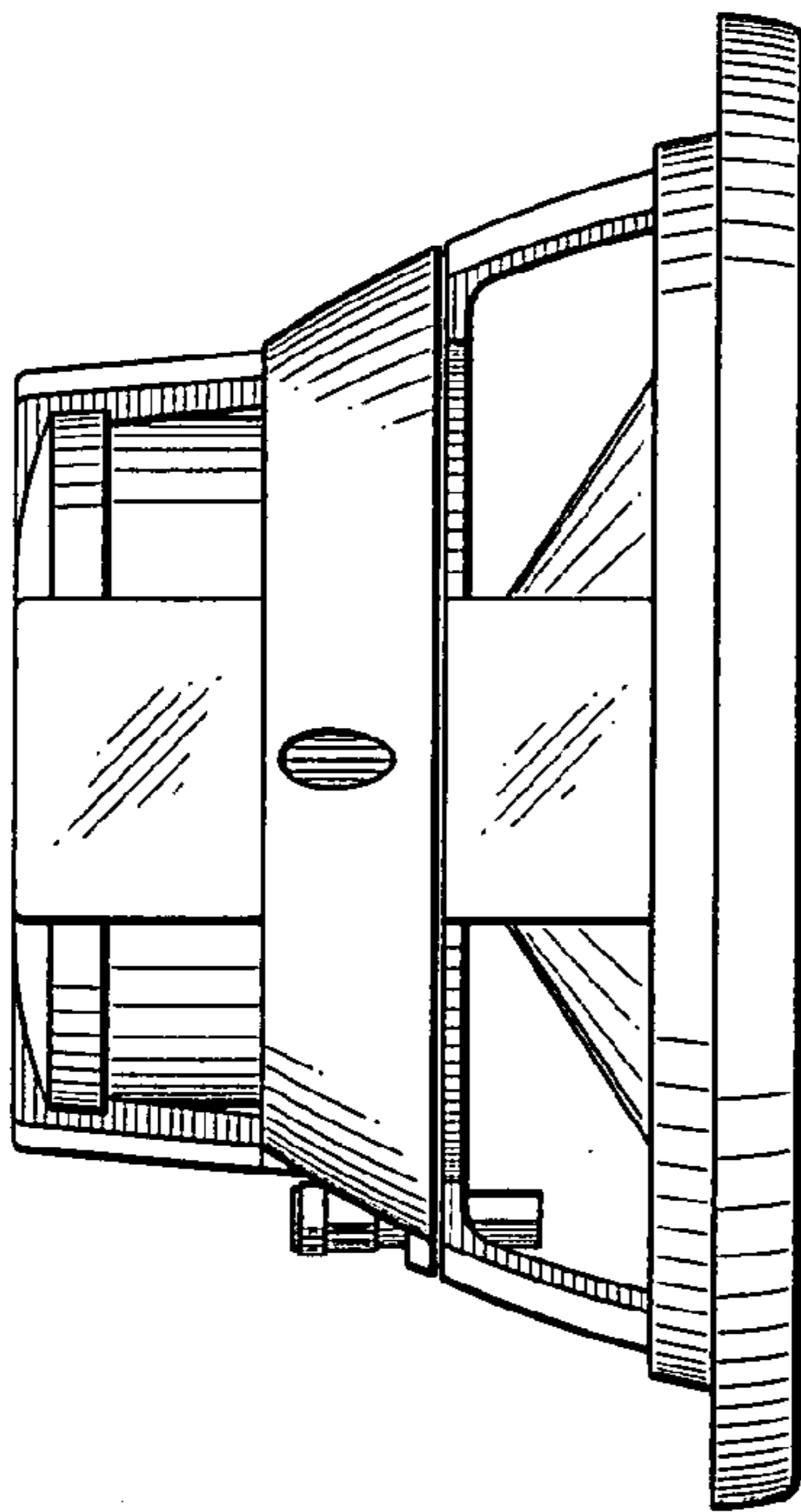


FIG. 4

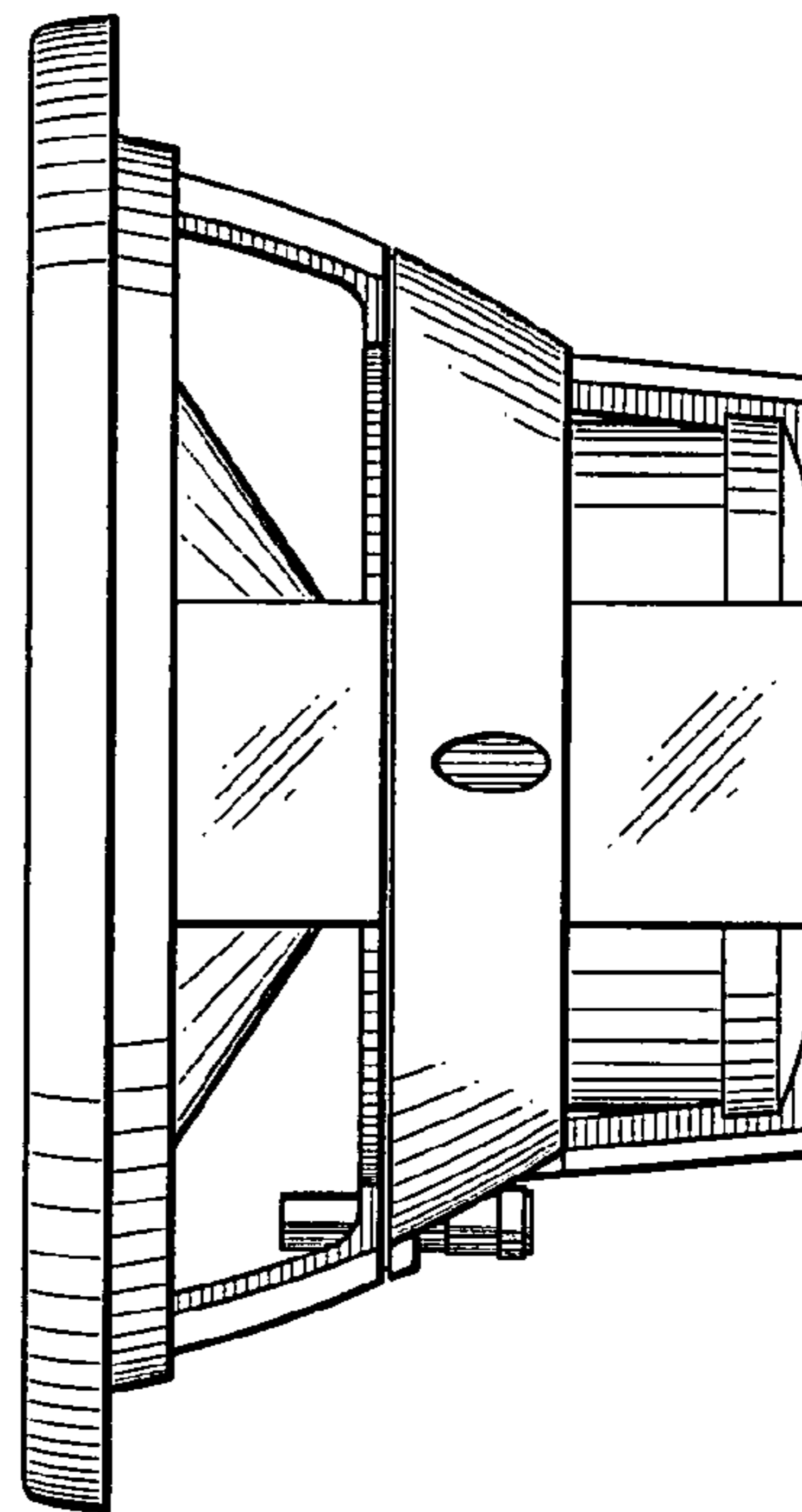


FIG. 5

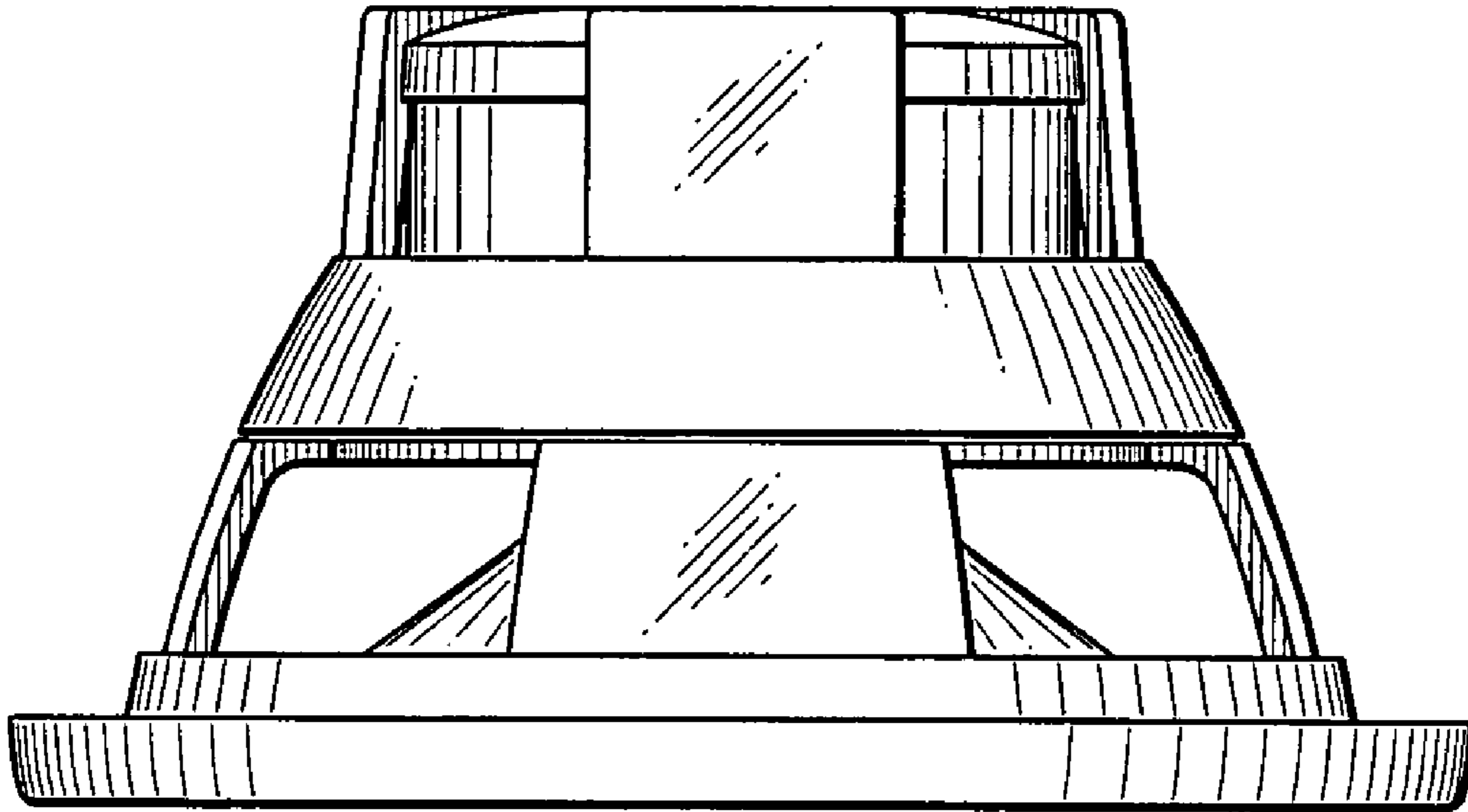


FIG. 6

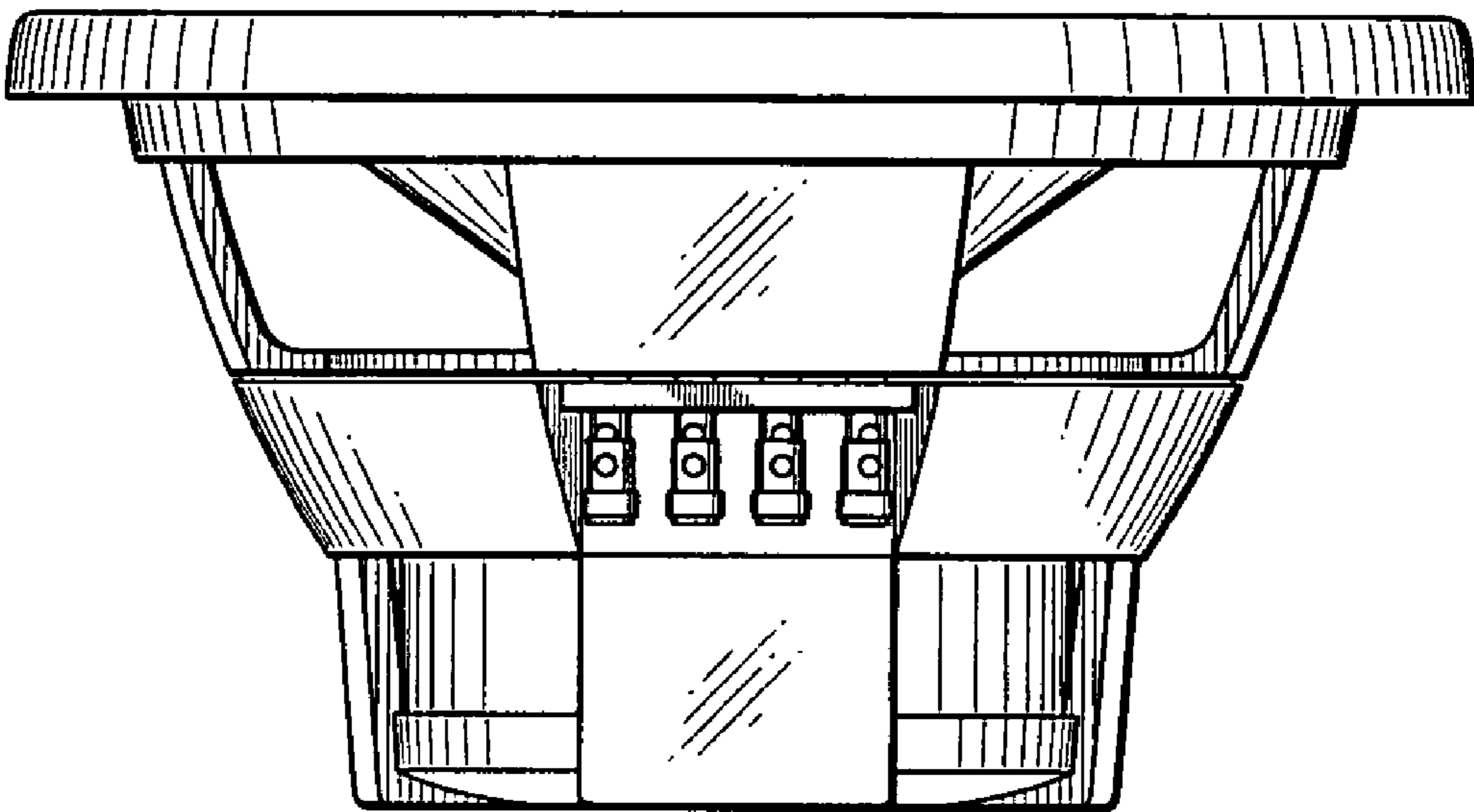


FIG. 7