

US00D568296S

(12) **United States Design Patent**
Krueger

(10) **Patent No.:** **US D568,296 S**

(45) **Date of Patent:** **** May 6, 2008**

(54) **SPEAKER**

(76) Inventor: **Paul M. Krueger**, 1200 Anchorage
View Ct., Baltimore, MD (US) 21224

(**) Term: **14 Years**

(21) Appl. No.: **29/272,852**

(22) Filed: **Feb. 21, 2007**

Related U.S. Application Data

(60) Continuation-in-part of application No. 29/264,846,
filed on Aug. 21, 2006, now Pat. No. Des. 551,657,
which is a division of application No. 29/228,070,
filed on Apr. 20, 2005, now Pat. No. Des. 526,994.

(51) **LOC (8) Cl.** **14-01**

(52) **U.S. Cl.** **D14/216; D14/204**

(58) **Field of Classification Search** D14/204,
D14/207, 209-216, 356; 181/143-144, 147-148,
181/150, 157, 198-199, 151, 153; 381/300-302,
381/306, 333, 345, 361-364, 386-388, 332,
381/336

See application file for complete search history.

(56) **References Cited**

U.S. PATENT DOCUMENTS

- 4,567,959 A * 2/1986 Proplit 381/86
- 4,655,315 A * 4/1987 Saville 181/153
- D319,446 S * 8/1991 Yamamoto D14/215
- 5,082,084 A * 1/1992 Ye-Ming 181/153
- 5,824,969 A * 10/1998 Takenaka 181/151

- 5,864,100 A * 1/1999 Newman 181/199
- 5,892,182 A * 4/1999 Newman 181/156
- D484,114 S * 12/2003 Gansterer D14/215

OTHER PUBLICATIONS

The 3D-Spiral Horn Speaker Building, pp. 1-7, internet publication.
Acoustical Art, pp. 1-3, internet publication.

* cited by examiner

Primary Examiner—Nanda Bondade

(74) *Attorney, Agent, or Firm*—Roylance, Abrams, Berdo &
Goodman, LLP

(57) **CLAIM**

The ornamental design for a speaker, as shown and
described.

DESCRIPTION

FIG. 1 is a perspective view of a speaker showing my new
design;

FIG. 2 is a front elevational view thereof;

FIG. 3 is a rear elevational view thereof;

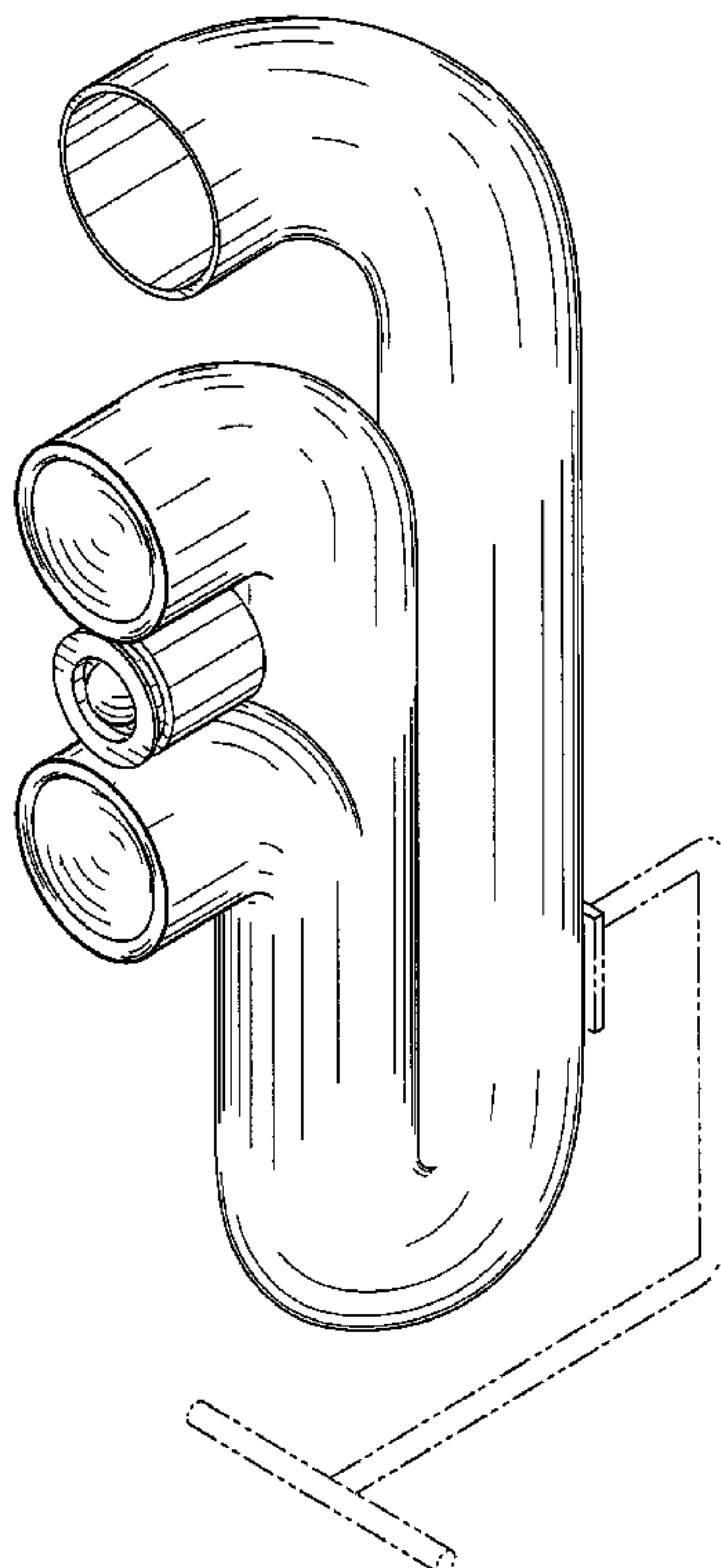
FIG. 4 is a left side elevational view thereof;

FIG. 5 is a top plan view thereof; and,

FIG. 6 is a bottom plan view thereof.

The broken lines shown in the drawing disclosure is for
illustrative purposes only and forms no part of the claimed
design.

1 Claim, 4 Drawing Sheets



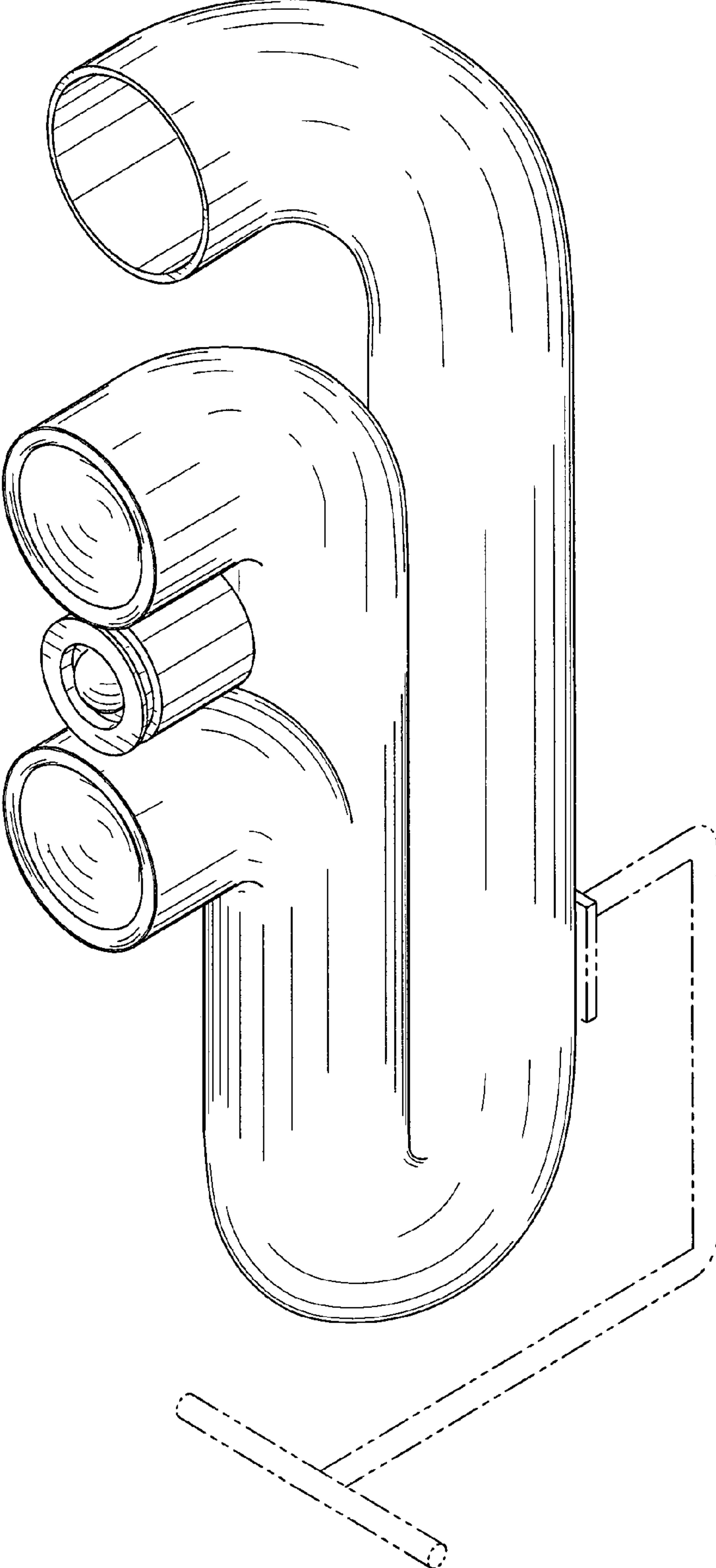


FIG. 1

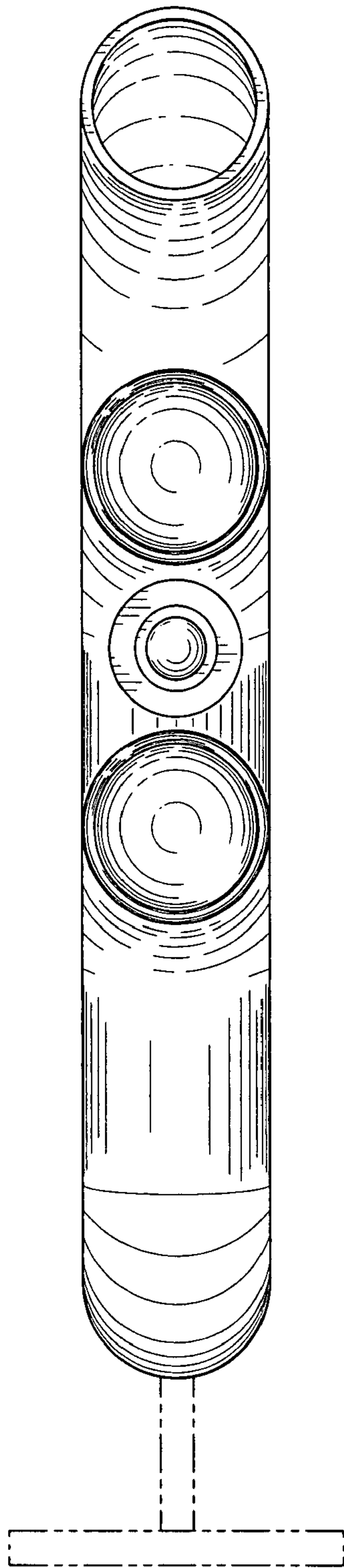


FIG. 2

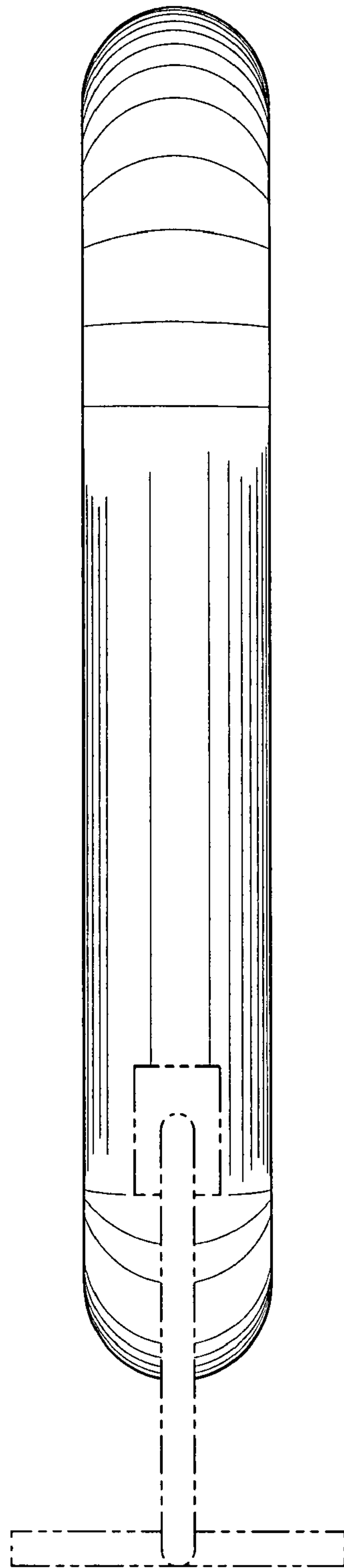


FIG. 3

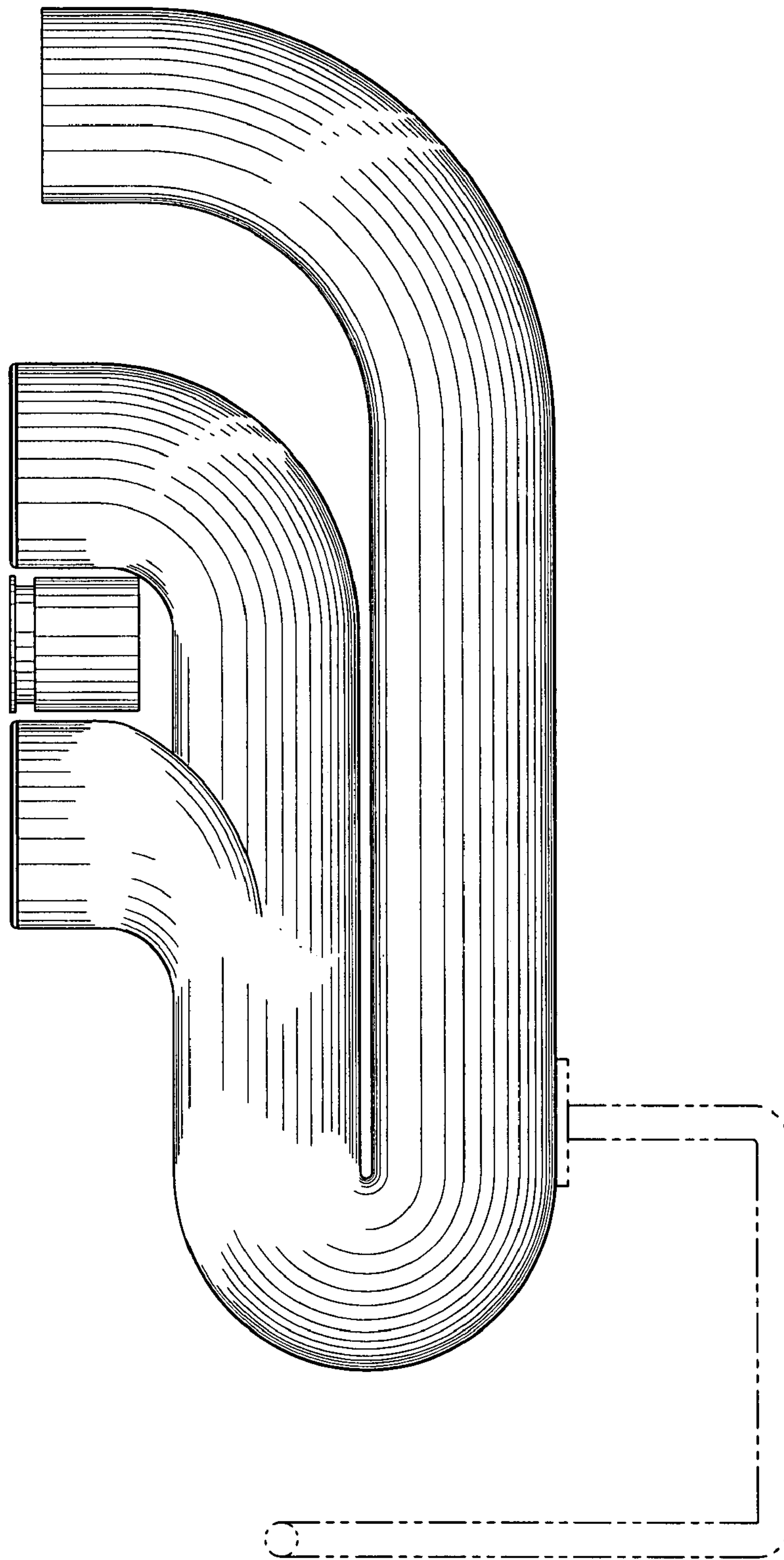


FIG. 4

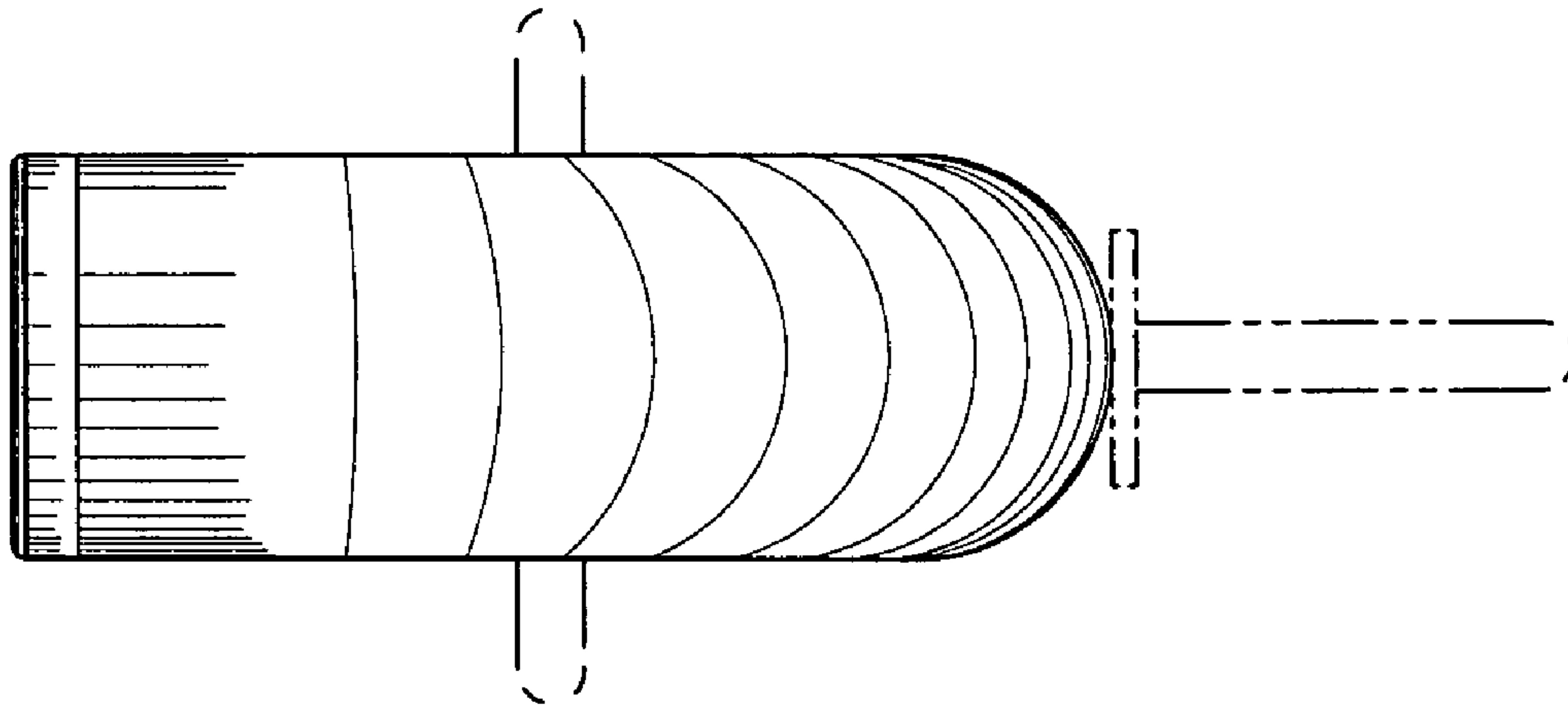


FIG. 5

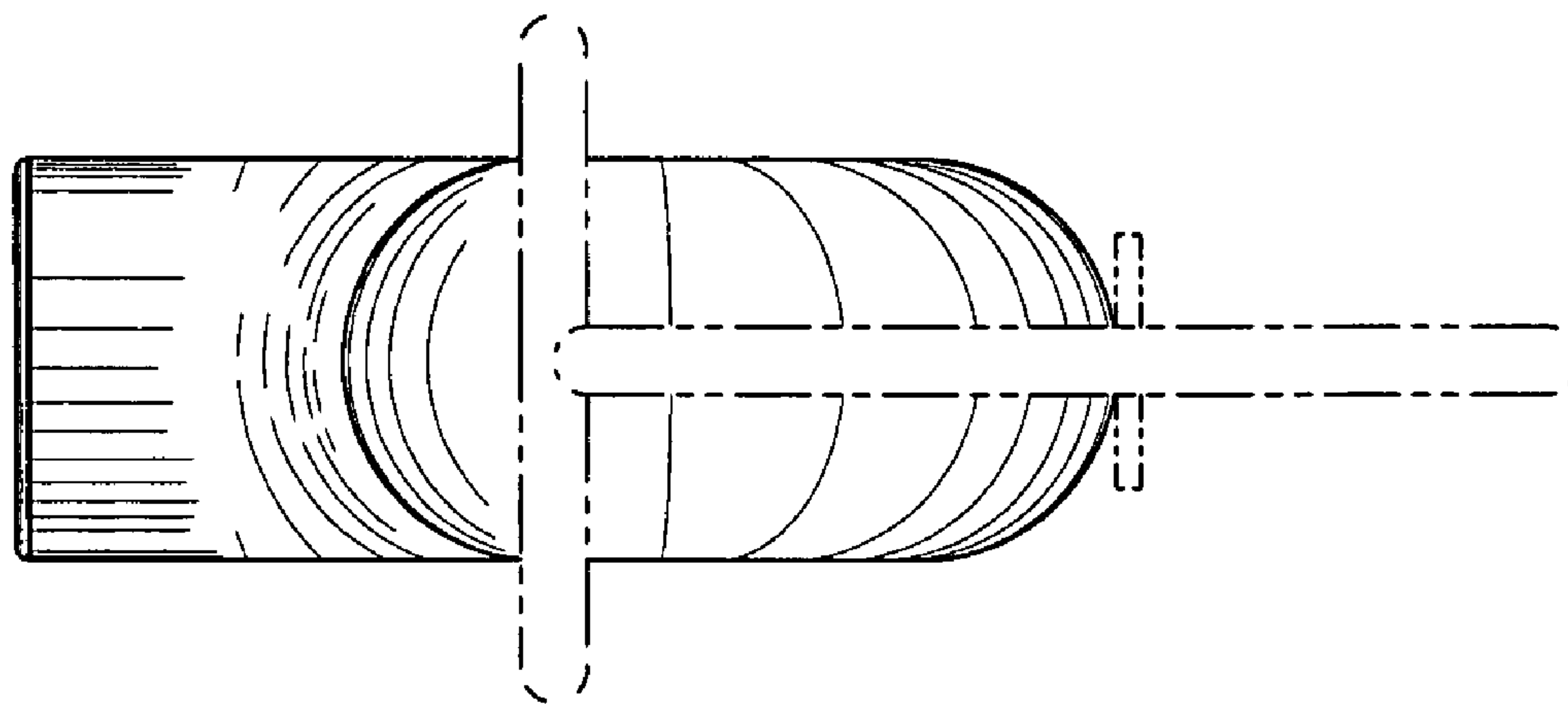


FIG. 6