



US00D568290S

(12) **United States Design Patent**  
**Wikel**

(10) **Patent No.:** **US D568,290 S**

(45) **Date of Patent:** **\*\* May 6, 2008**

(54) **HOUSING FOR A HEADSET**

(75) Inventor: **Harold L. Wikel**, Muskego, WI (US)

(73) Assignee: **Motorola, Inc.**, Schaumburg, IL (US)

(\*\*) Term: **14 Years**

(21) Appl. No.: **29/256,518**

(22) Filed: **Mar. 21, 2006**

(51) **LOC (8) Cl.** ..... **14-01**

(52) **U.S. Cl.** ..... **D14/205**

(58) **Field of Classification Search** ..... D14/205-206,  
D14/223-225, 192, 168, 249; 181/129-130,  
181/135, 137; 379/430, 433, 368, 447; 445/575.2;  
381/309, 380, 379, 384; 2/209; D29/122;  
D24/174

See application file for complete search history.

(56) **References Cited**

**U.S. PATENT DOCUMENTS**

1,852,130	A *	4/1932	Schier	.....	381/380
D287,765	S *	1/1987	Topholm	.....	D24/174
D321,881	S *	11/1991	Hopewell	.....	D14/192
D352,036	S *	11/1994	Sekita	.....	D14/192
5,812,680	A *	9/1998	Glendon	.....	381/322
D411,200	S *	6/1999	Almqvist	.....	D14/192
D485,549	S *	1/2004	Ma et al.	.....	D14/223

D500,179	S *	12/2004	Coutant et al.	.....	D29/122
D502,695	S *	3/2005	Suzuki	.....	D14/192
D511,768	S *	11/2005	Naito et al.	.....	D14/223
D512,417	S *	12/2005	Hirakawa et al.	.....	D14/223
D519,985	S *	5/2006	Wikel et al.	.....	D14/205

\* cited by examiner

*Primary Examiner*—Paula A. Greene

(74) *Attorney, Agent, or Firm*—Randall S. Vaas

(57) **CLAIM**

The ornamental housing for a headset, as shown and described.

**DESCRIPTION**

FIG. 1 is a perspective view of a housing for a headset, the undisclosed opposite side is not part of the claimed design.

FIG. 2 is a front view thereof.

FIG. 3 is a rear view thereof.

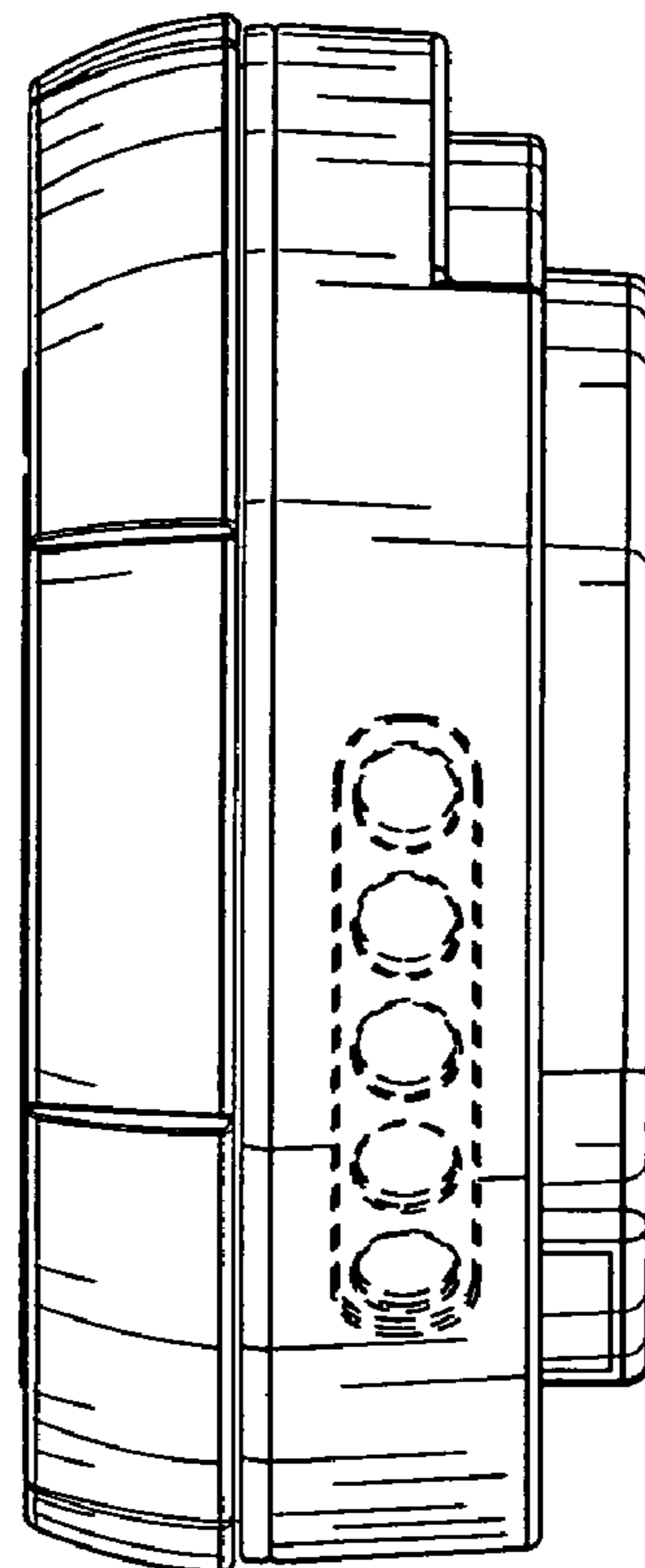
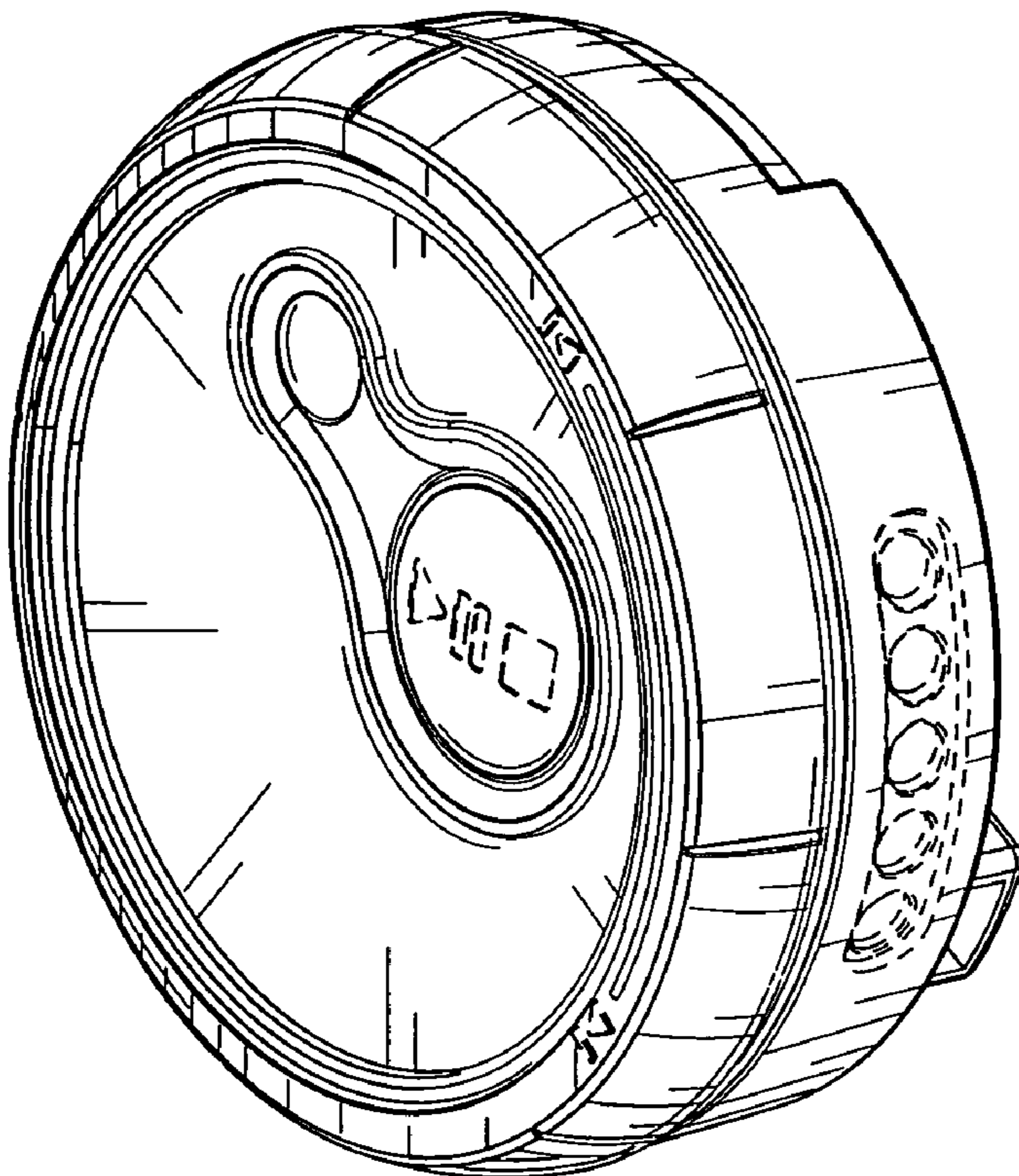
FIG. 4 is a top view thereof.

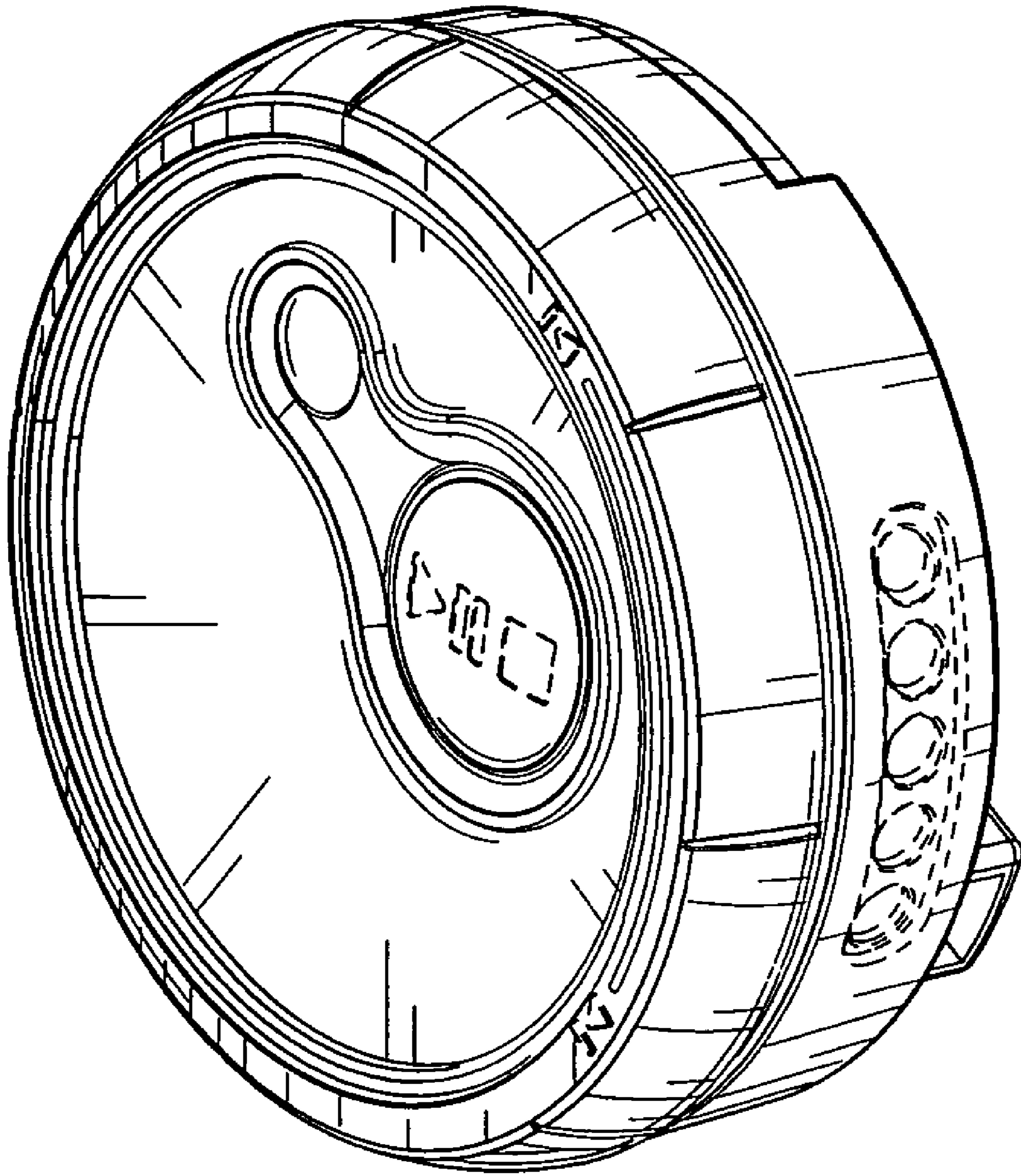
FIG. 5 is a bottom view thereof; and,

FIG. 6 is a first side view thereof.

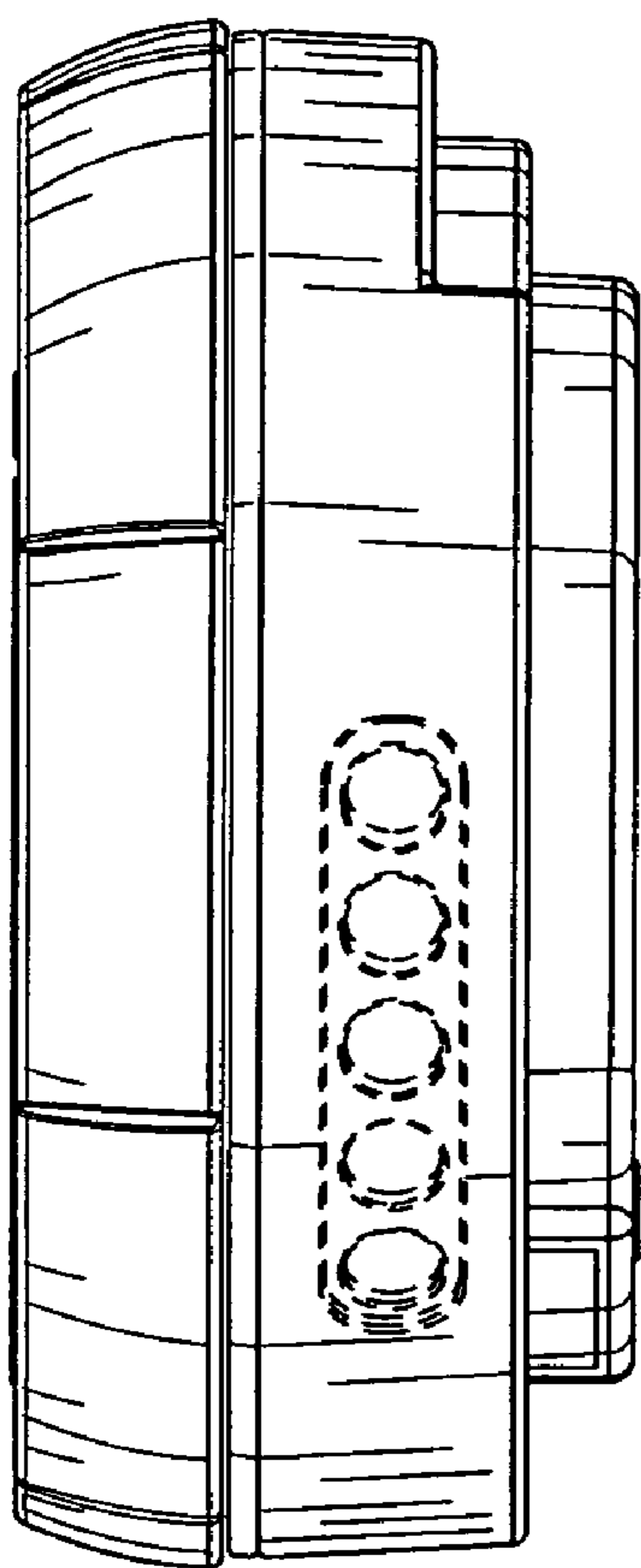
The broken lines included for illustration purposes form no part of the claimed design.

**1 Claim, 4 Drawing Sheets**

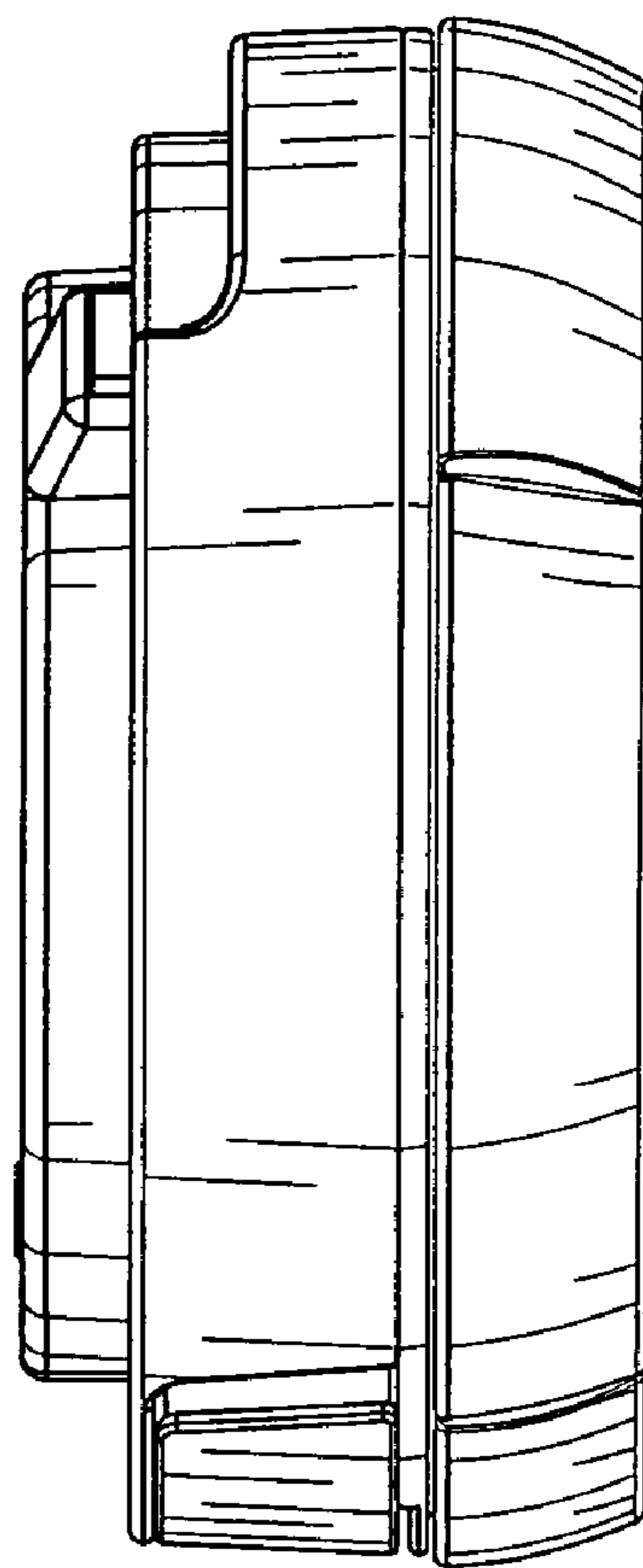




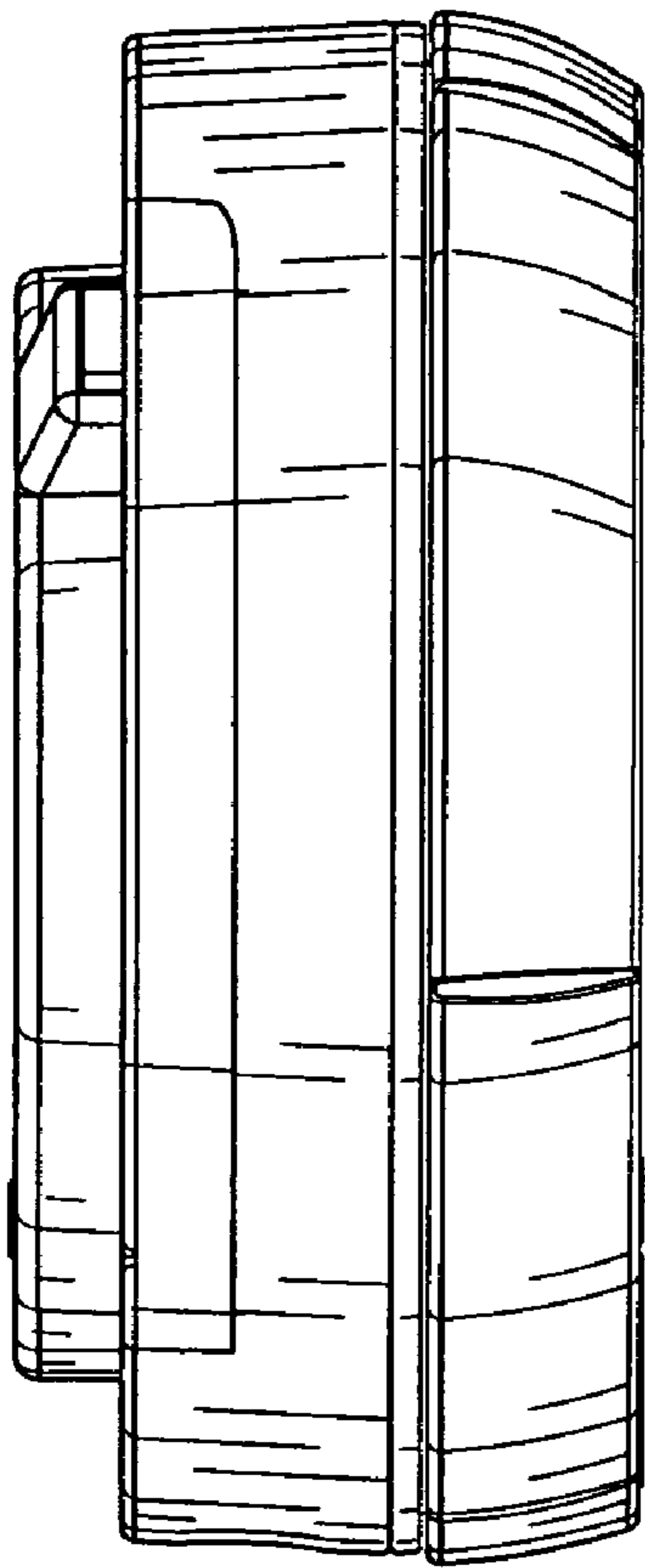
*FIG. 1*



*FIG. 2*



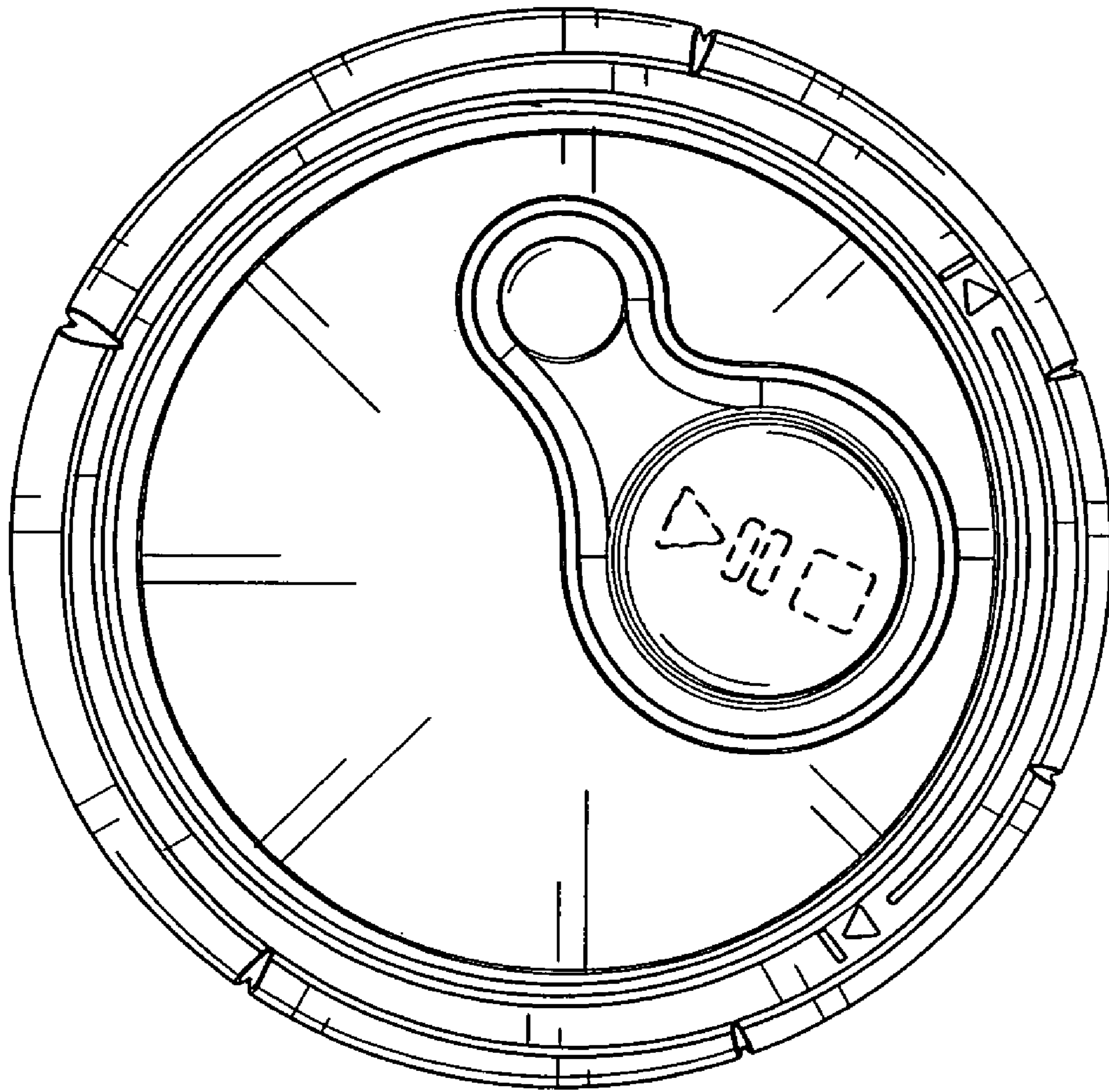
*FIG. 3*



*FIG. 4*



*FIG. 5*



*FIG. 6*