

US00D568288S

(12) **United States Design Patent**
Suzuki

(10) **Patent No.:** **US D568,288 S**

(45) **Date of Patent:** **** May 6, 2008**

(54) **COMBINED RADIO RECEIVER AND CLOCK**

(75) Inventor: **Satoshi Suzuki**, Tokyo (JP)

(73) Assignee: **Sony Corporation**, Tokyo (JP)

(**) Term: **14 Years**

(21) Appl. No.: **29/268,076**

(22) Filed: **Oct. 30, 2006**

(51) **LOC (8) Cl.** **14-03**

(52) **U.S. Cl.** **D14/171**

(58) **Field of Classification Search** D14/137,
D14/155, 156, 168, 170, 171, 193-198, 217,
D14/496; D10/1, 2, 15; 312/7.1; 369/6-12;
455/91, 95, 100, 128, 344, 347, 350, 351
See application file for complete search history.

(56) **References Cited**

U.S. PATENT DOCUMENTS

D339,346 S *	9/1993	Pepall	D14/171
D347,008 S *	5/1994	Theisen et al.	D14/160
D359,694 S *	6/1995	Reeve, Jr.	D10/15
D372,435 S *	8/1996	Bellomo et al.	D10/106
D377,650 S	1/1997	Obata	
D385,561 S *	10/1997	Audoin	D14/171
D417,870 S *	12/1999	Kokkinis	D14/171
D455,142 S *	4/2002	Saitoh	D14/168
D456,381 S	4/2002	Momsen et al.	
D457,869 S	5/2002	Narita	

D460,431 S	7/2002	Narita	
D467,564 S	12/2002	Obata	
D503,395 S	3/2005	Hirano	
D512,418 S *	12/2005	Sarasjoki	D14/253

FOREIGN PATENT DOCUMENTS

JP D1161110 S 12/2002

* cited by examiner

Primary Examiner—Stella M. Reid

Assistant Examiner—Keli' L. Acker

(74) *Attorney, Agent, or Firm*—Rader, Fishman & Grauer, PLLC

(57) **CLAIM**

The ornamental design for a combined radio receiver and clock, as shown.

DESCRIPTION

FIG. 1 is a perspective view of a combined radio receiver and clock showing my new design;

FIG. 2 is a front elevational view thereof;

FIG. 3 is a rear elevational view thereof;

FIG. 4 is a left side elevational view thereof;

FIG. 5 is a right side elevational view thereof;

FIG. 6 is a top plan view thereof; and,

FIG. 7 is a bottom plan view thereof.

1 Claim, 7 Drawing Sheets

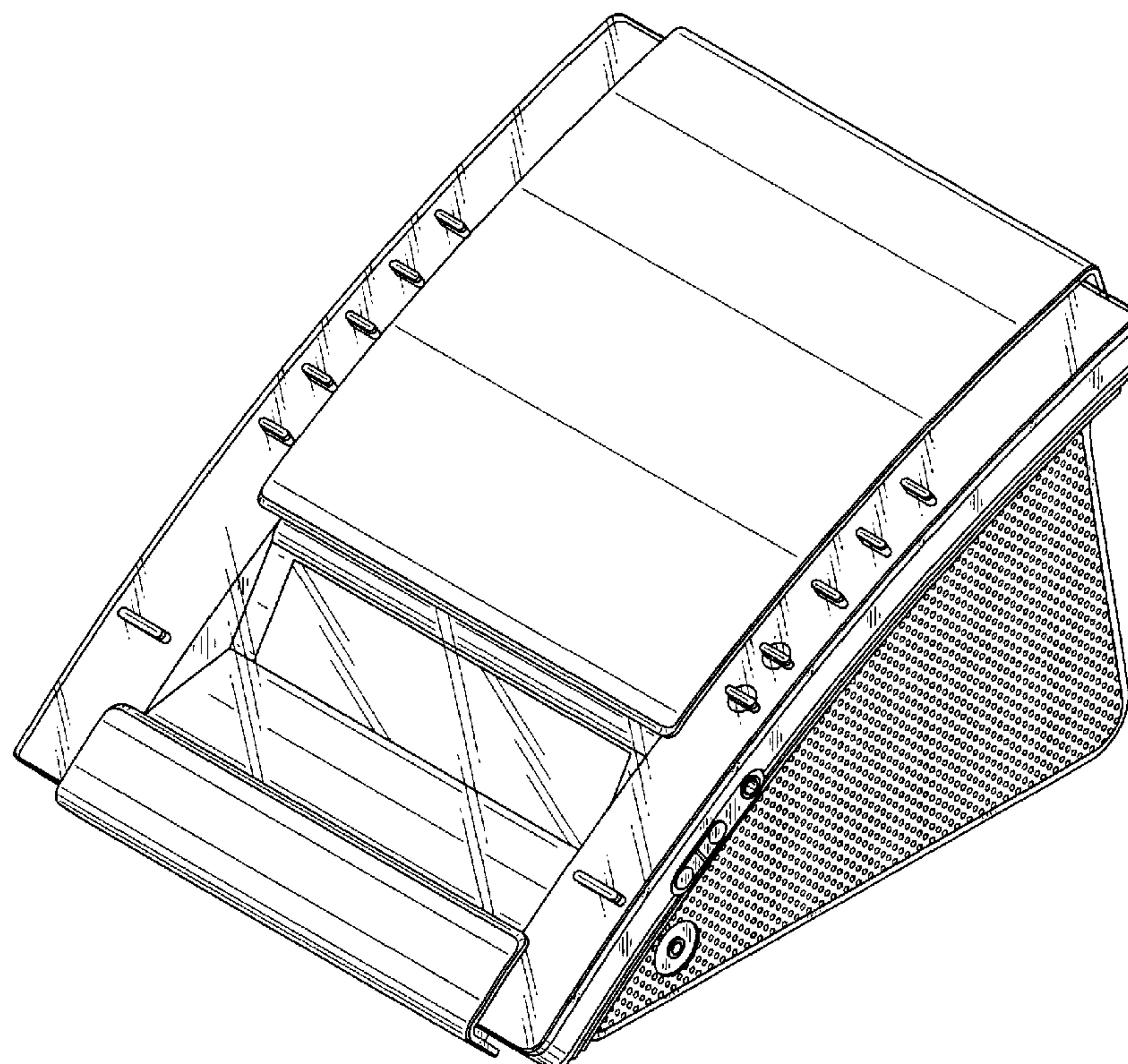


Fig. 1

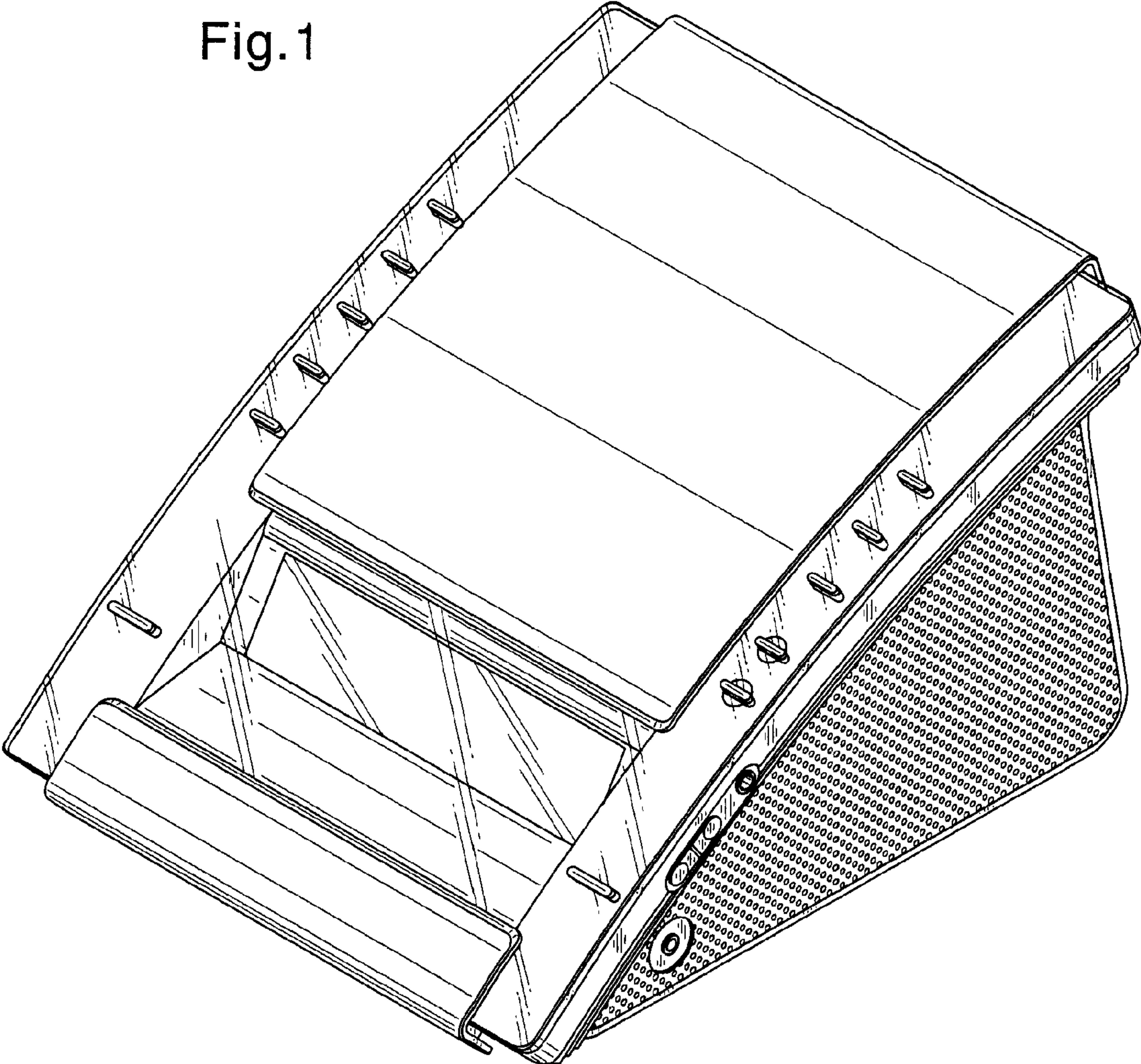


Fig.2

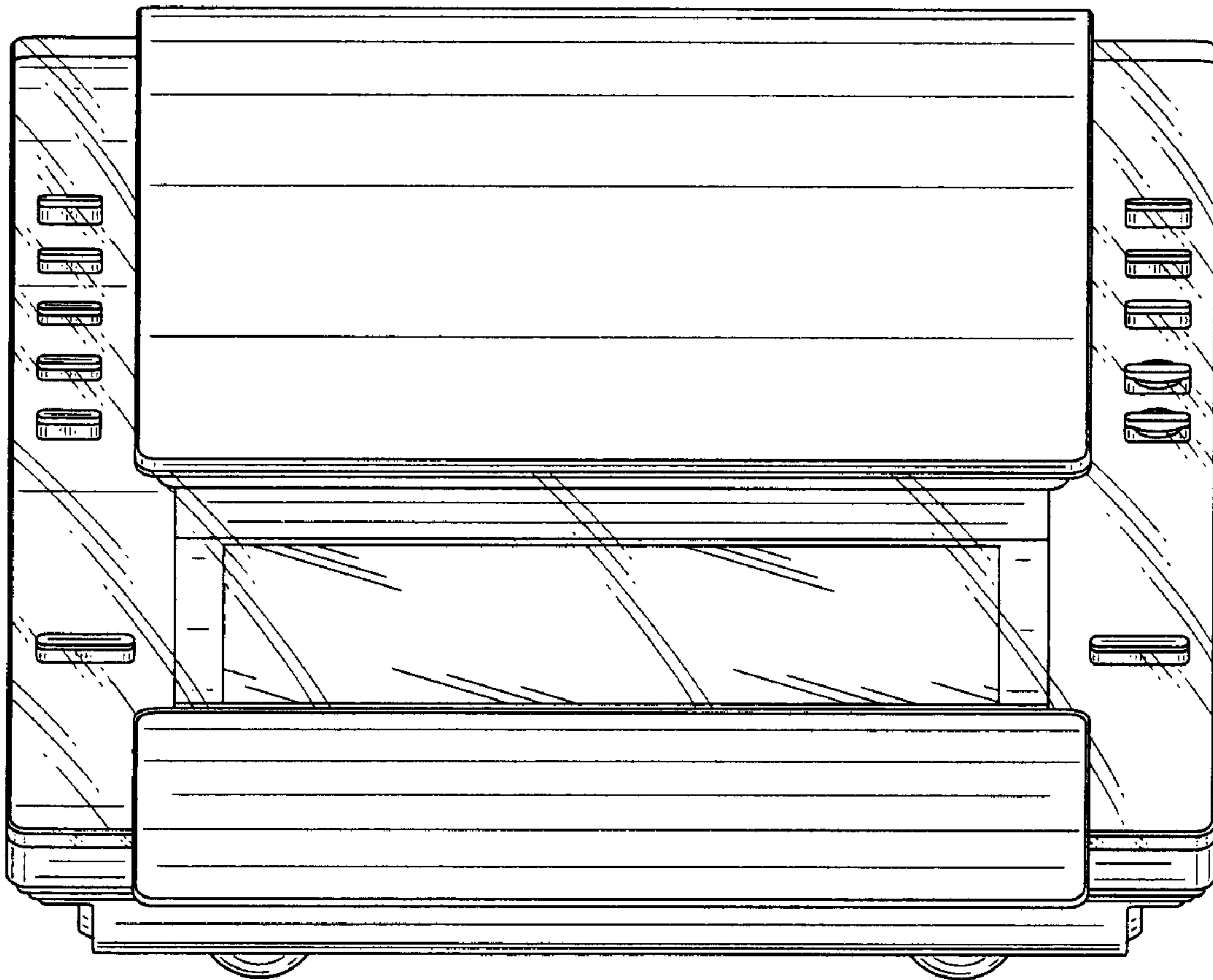


Fig.3

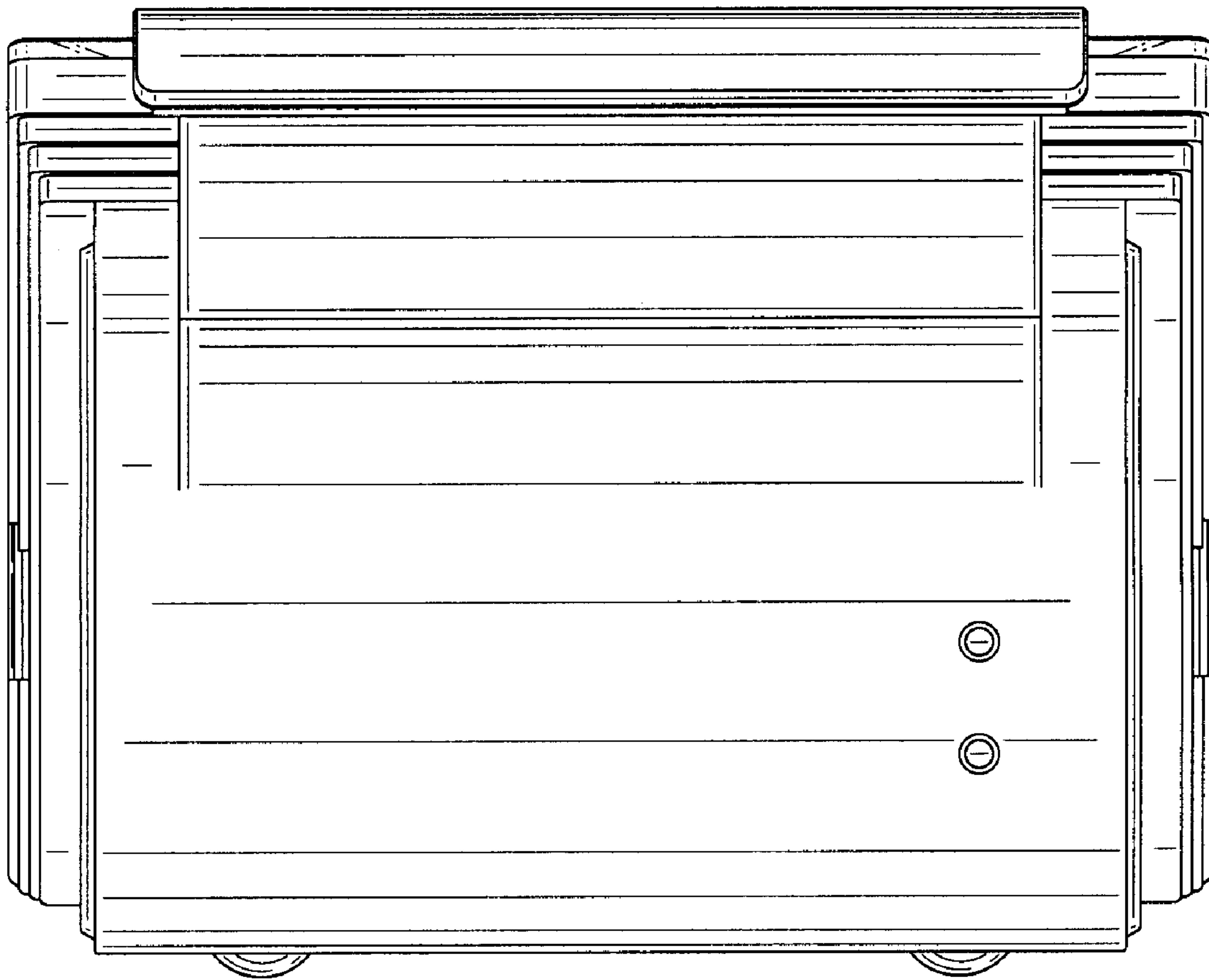


Fig.4

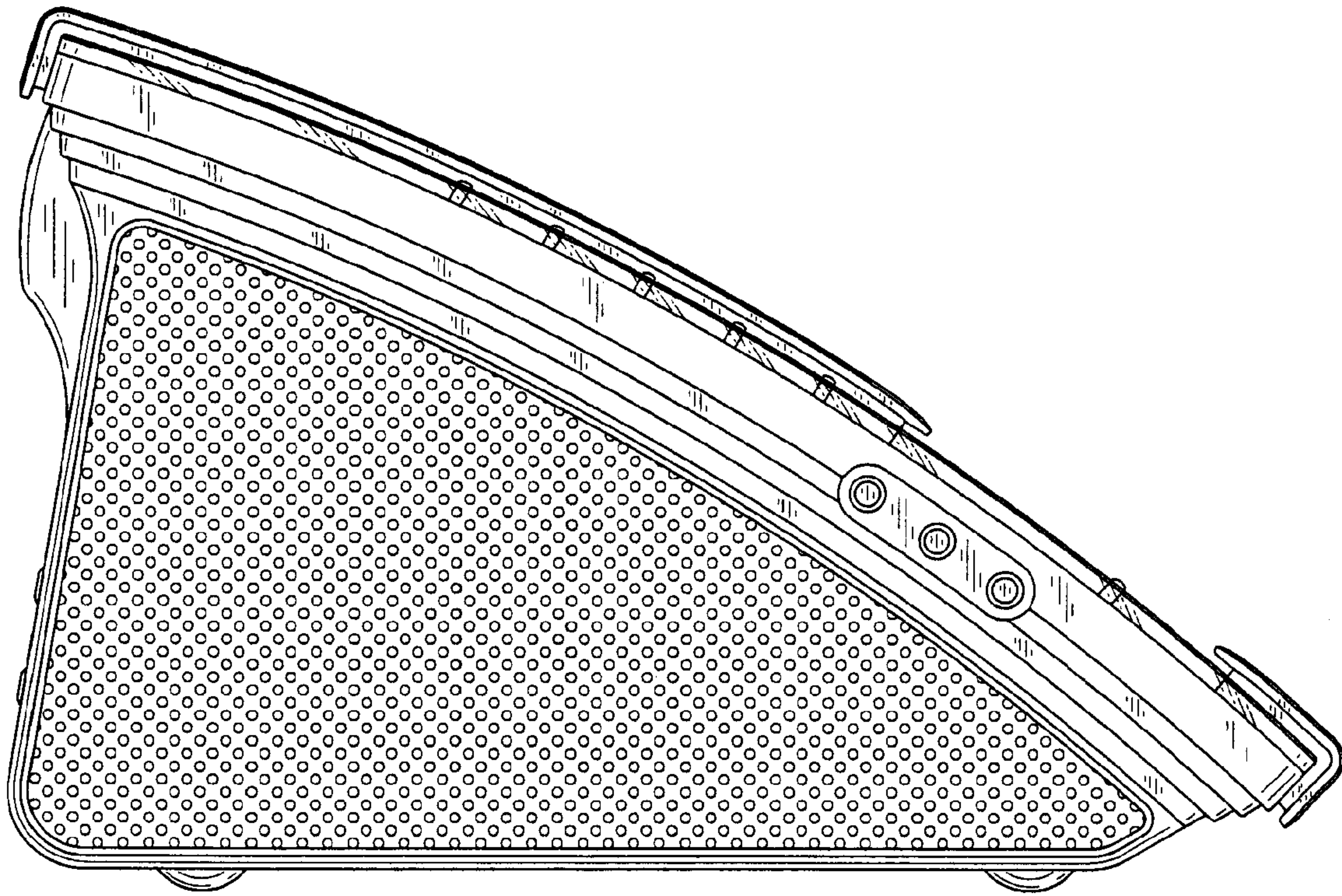


Fig.5

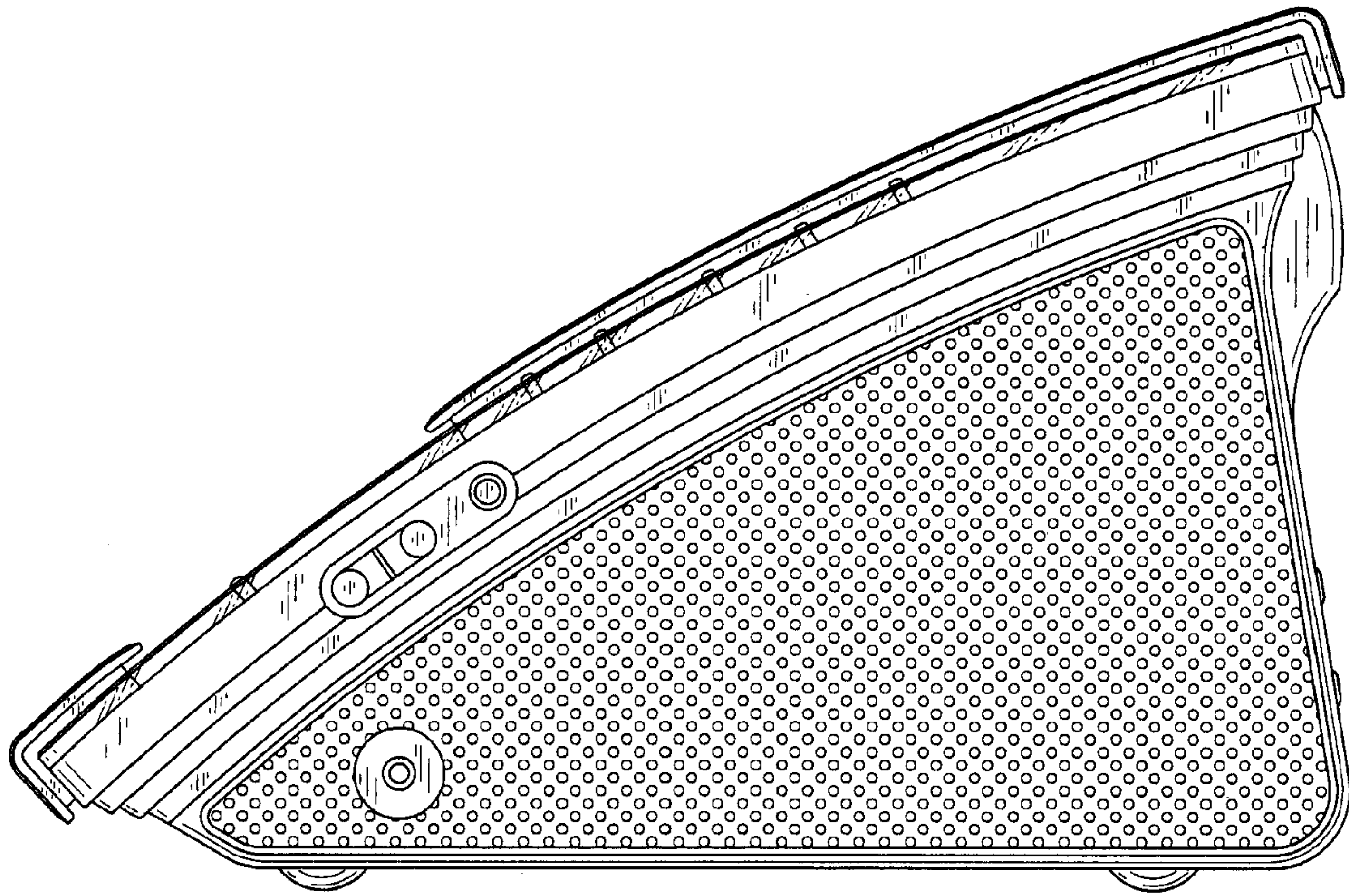


Fig.6

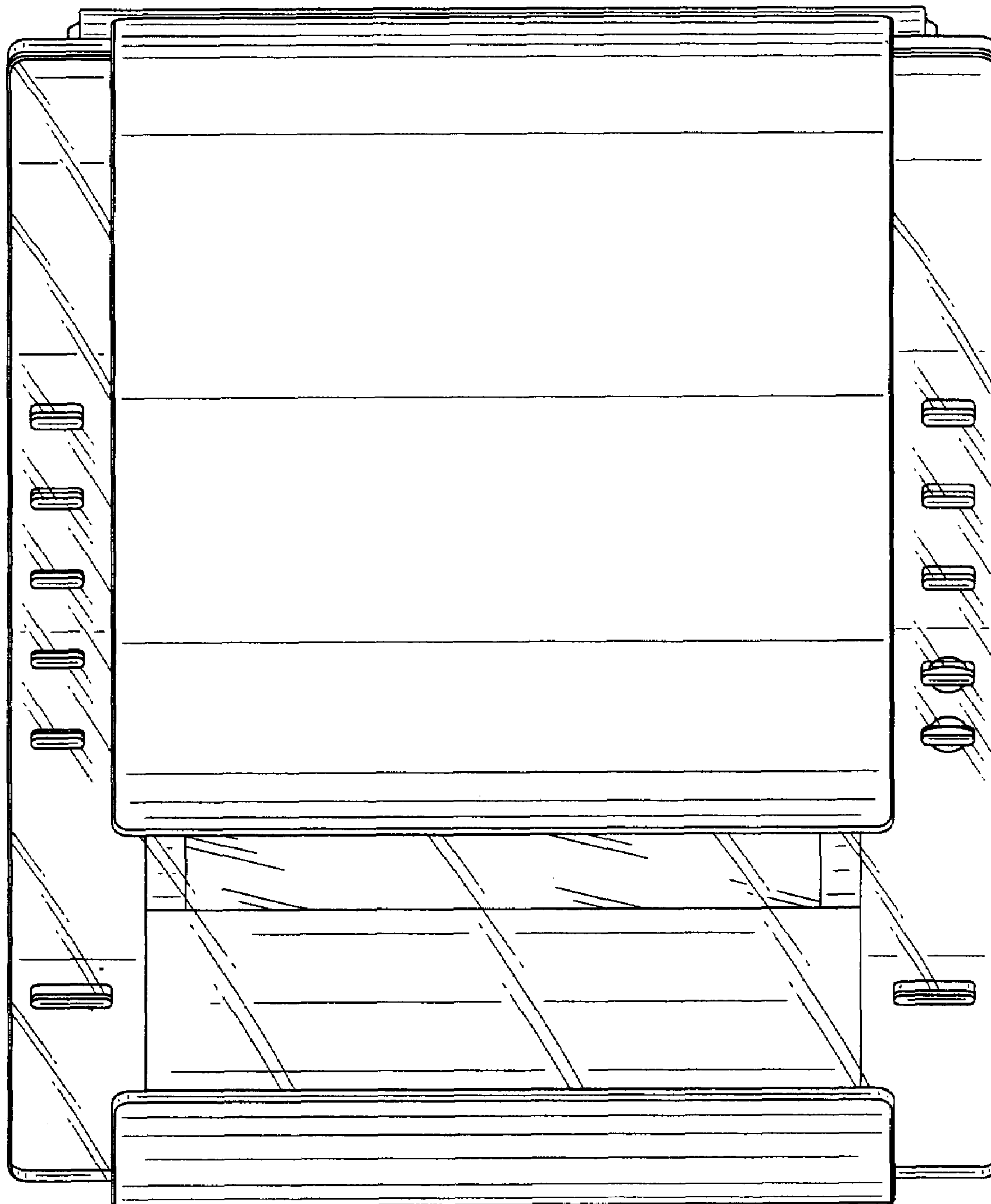


Fig.7

