

US00D568287S

(12) **United States Design Patent**
Wada

(10) **Patent No.:** **US D568,287 S**
(45) **Date of Patent:** **** May 6, 2008**

(54) **AMPLIFIER WITH DIGITAL VIDEO DISC
PLAYER**

(75) Inventor: **Kosaku Wada**, Kadoma (JP)

(73) Assignee: **Matsushita Electric Industrial Co.,
Ltd.**, Osaka (JP)

(**) Term: **14 Years**

(21) Appl. No.: **29/271,656**

(22) Filed: **Jan. 24, 2007**

(30) **Foreign Application Priority Data**

Aug. 4, 2006 (JP) 2006-20695

(51) **LOC (8) Cl.** **14-01**

(52) **U.S. Cl.** **D14/168; D14/136**

(58) **Field of Classification Search** D14/135-136,
D14/156-157, 167-168, 257-258, 197-198,
D14/188, 217, 445; 360/99.02, 99.07; 369/75.11,
369/75.21, 77.21, 77.11; 720/612, 619, 647,
720/655; 455/344, 347-351
See application file for complete search history.

(56) **References Cited**

U.S. PATENT DOCUMENTS

4,758,910 A * 7/1988 Kaneko et al. D14/157
D391,258 S * 2/1998 Ito et al. D14/188
5,859,828 A 1/1999 Ishibashi
D459,334 S * 6/2002 Tsuge D14/156
D515,549 S * 2/2006 Mizokawa et al. D14/157
D526,632 S * 8/2006 Ryu D14/136

OTHER PUBLICATIONS

Wada et al., U.S. Design Application entitled "Amplifier With Digital Video Disc Player," U.S. Appl. No. 29/271,538, filed Jan. 22, 2007.

Panasonic Consumer Electronics Company, "Panasonic 2006/1 Home Theater Catalogue—SC-HT740", 2006, 3 pages.

* cited by examiner

Primary Examiner—Nanda Bondade

(74) *Attorney, Agent, or Firm*—Brinks Hofer Gilson & Lione

(57) **CLAIM**

I claim the ornamental design for an amplifier with digital video disc player, as shown and described.

DESCRIPTION

FIG. 1 is a top perspective view of an amplifier with digital video disc player of the present invention;

FIG. 2 is a front view thereof;

FIG. 3 is a rear view thereof;

FIG. 4 is a top view thereof;

FIG. 5 is a bottom view thereof;

FIG. 6 is a first side view thereof; and,

FIG. 7 is a second side view thereof.

The ornamental design which is claimed is shown in solid lines in the drawings. Any broken lines in the drawings are for illustrative purposes only and form no part of the claimed design.

1 Claim, 4 Drawing Sheets

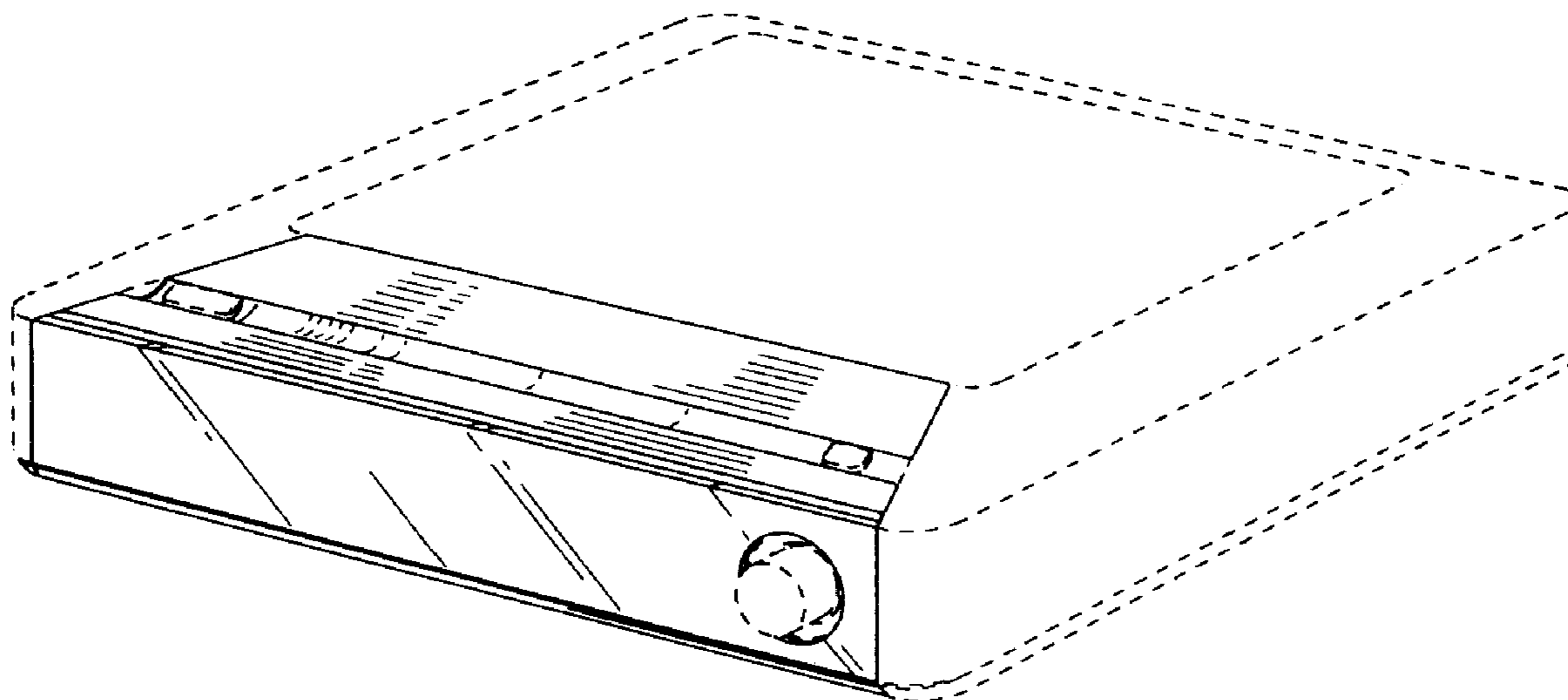


FIG. 1

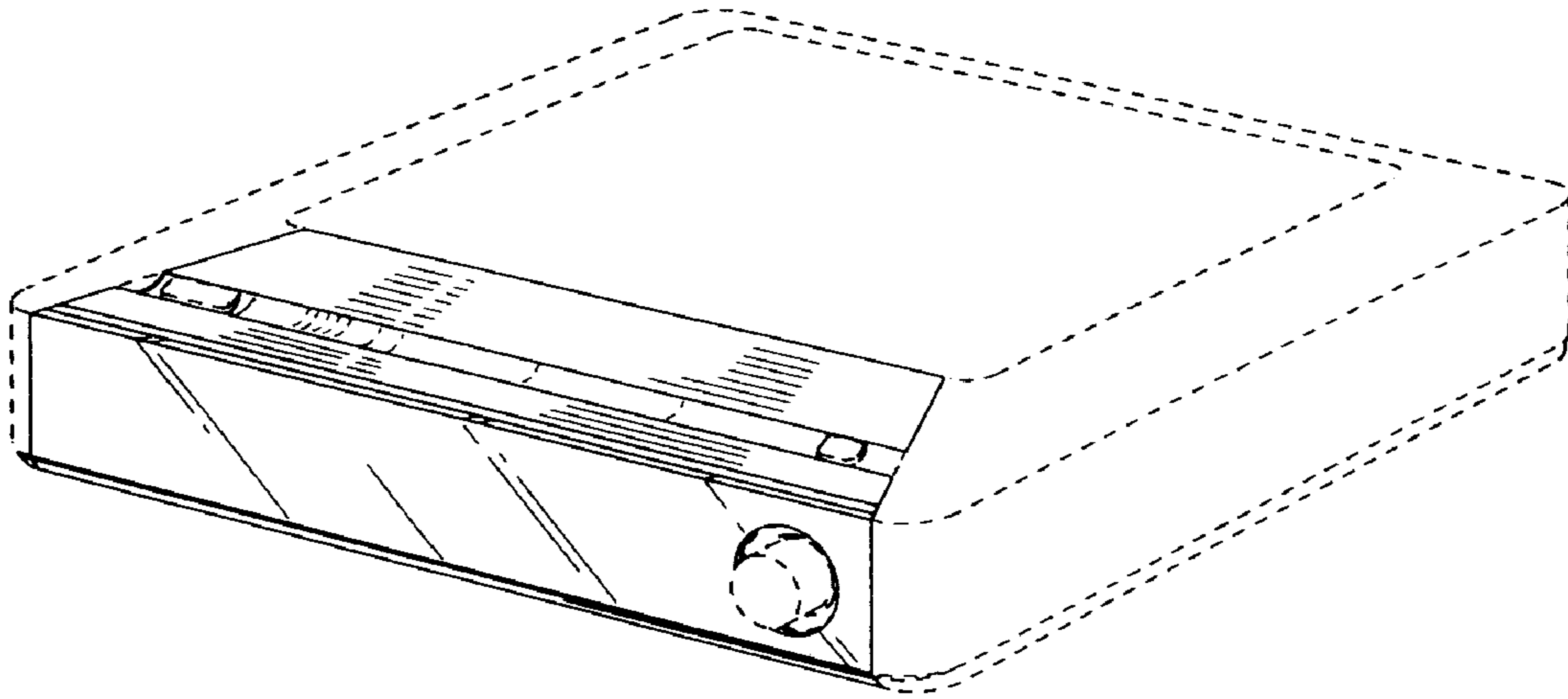


FIG. 2

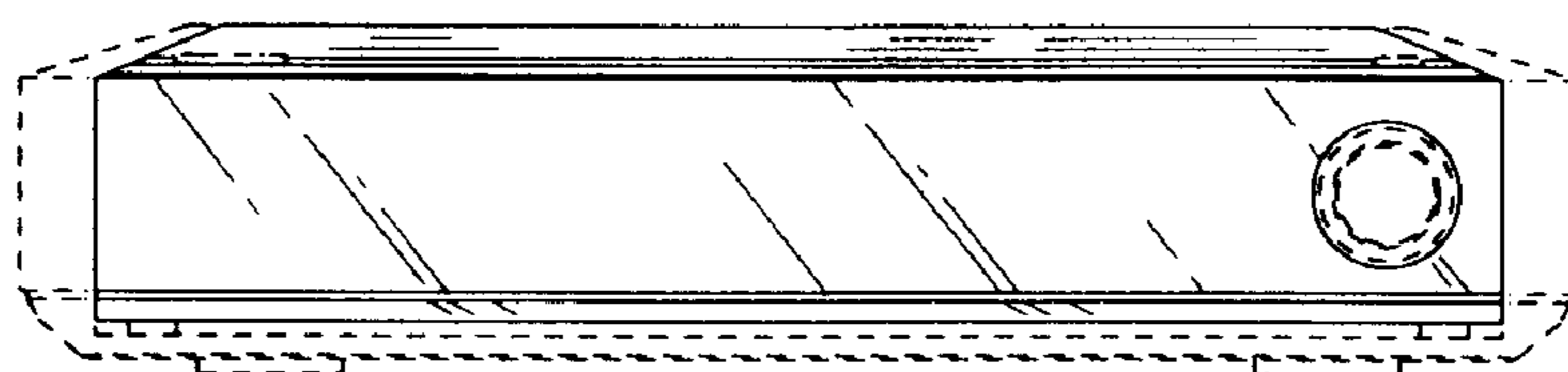


FIG.3

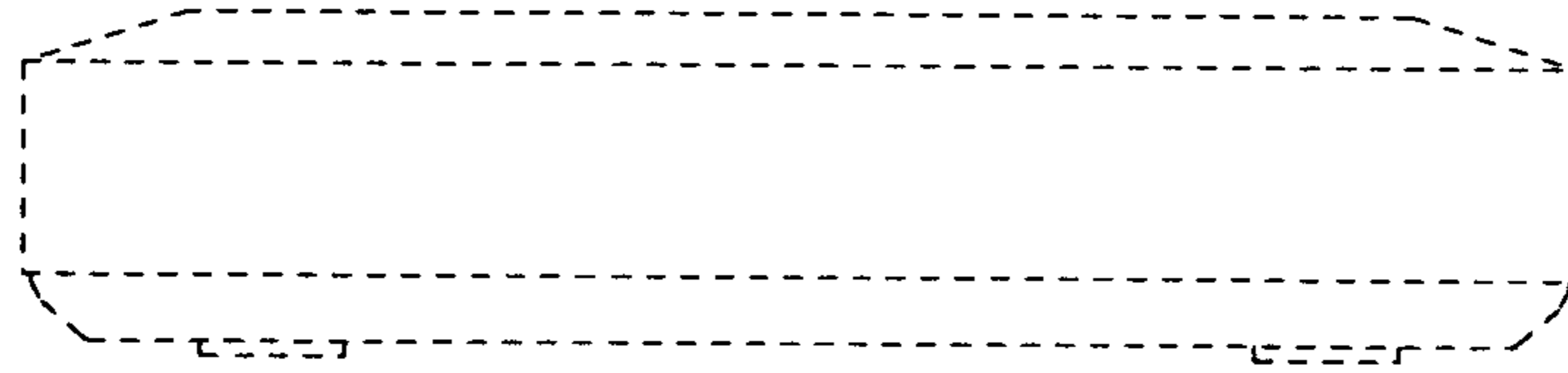


FIG.4

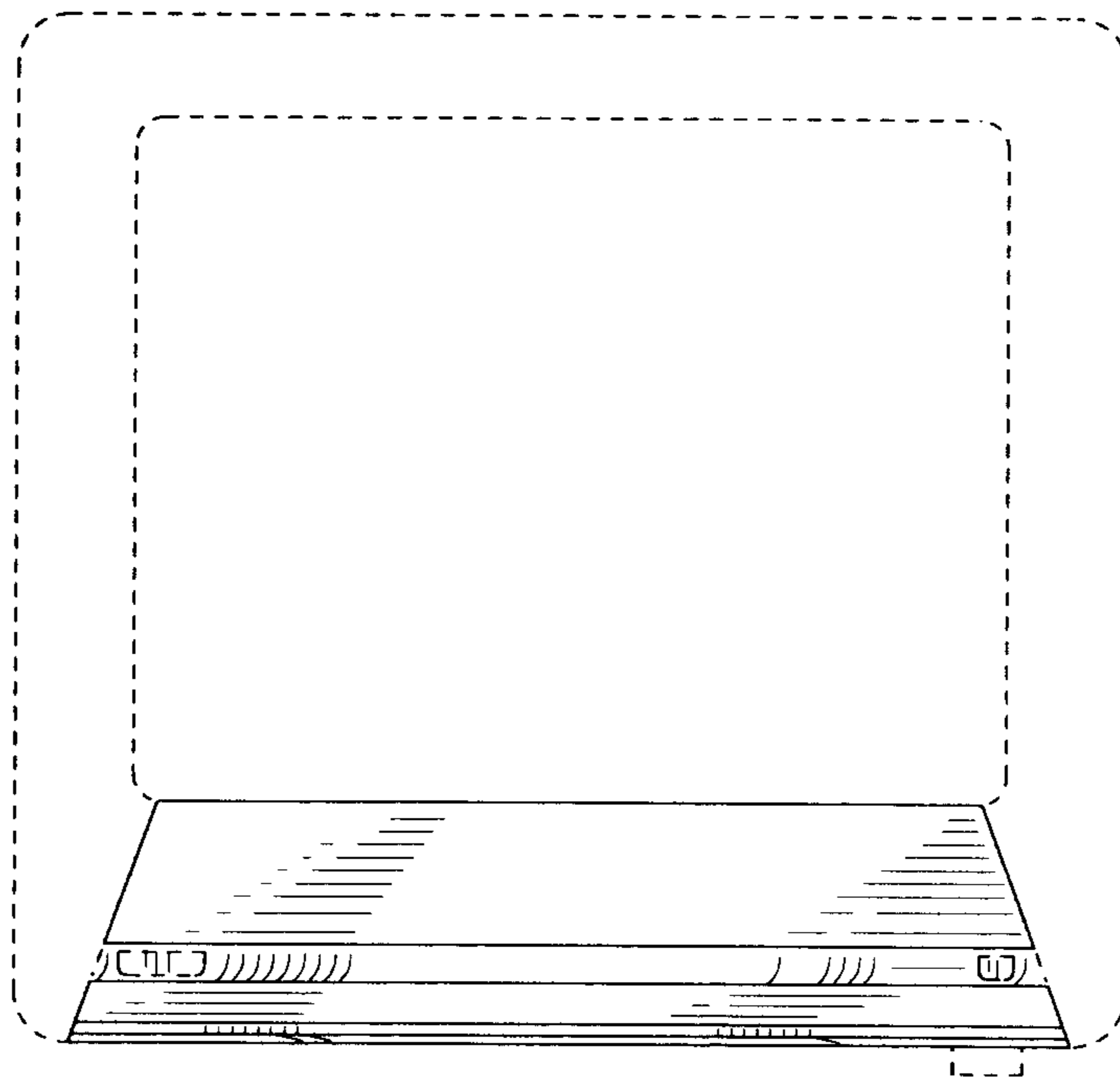


FIG.5

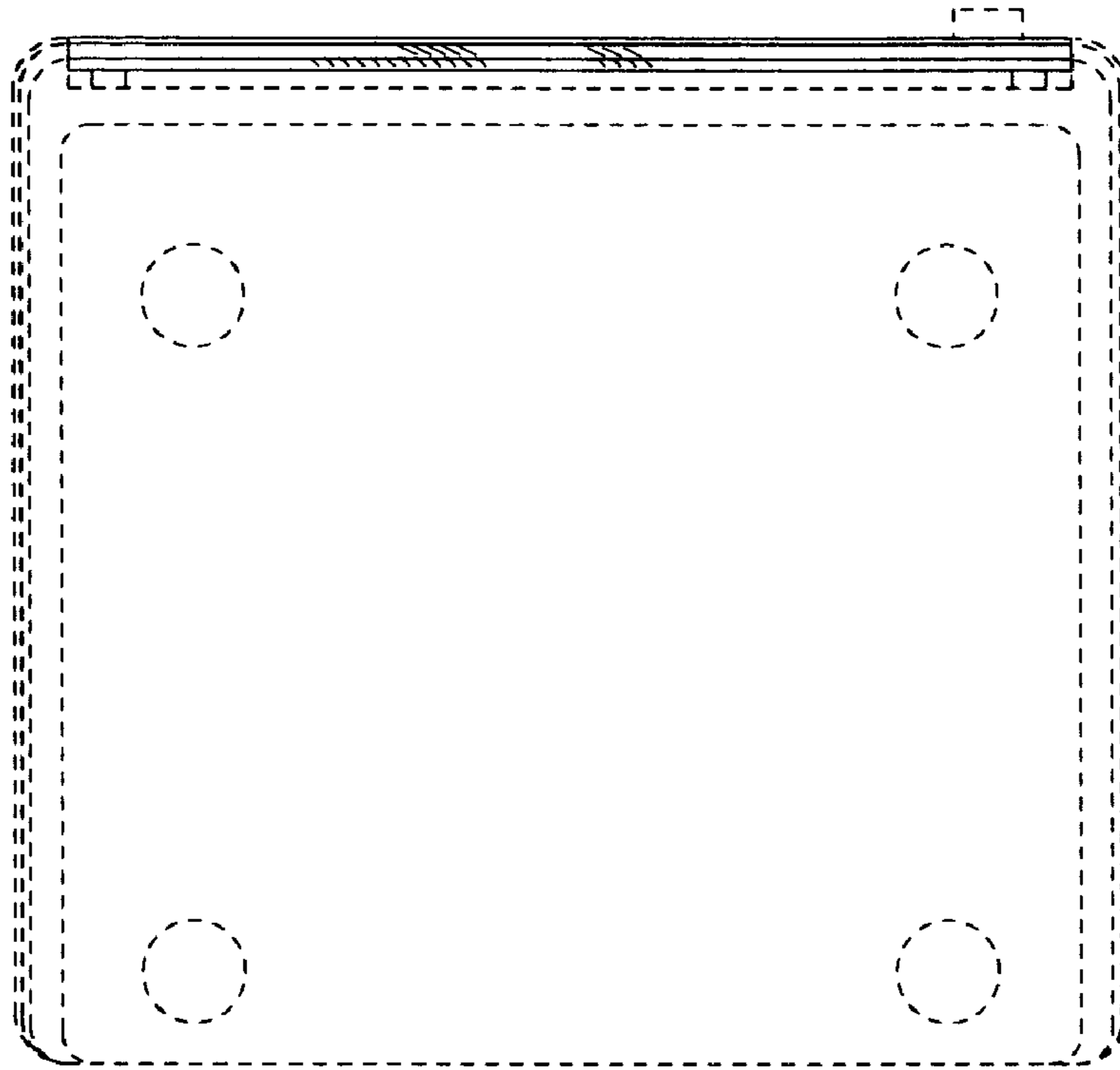


FIG.6

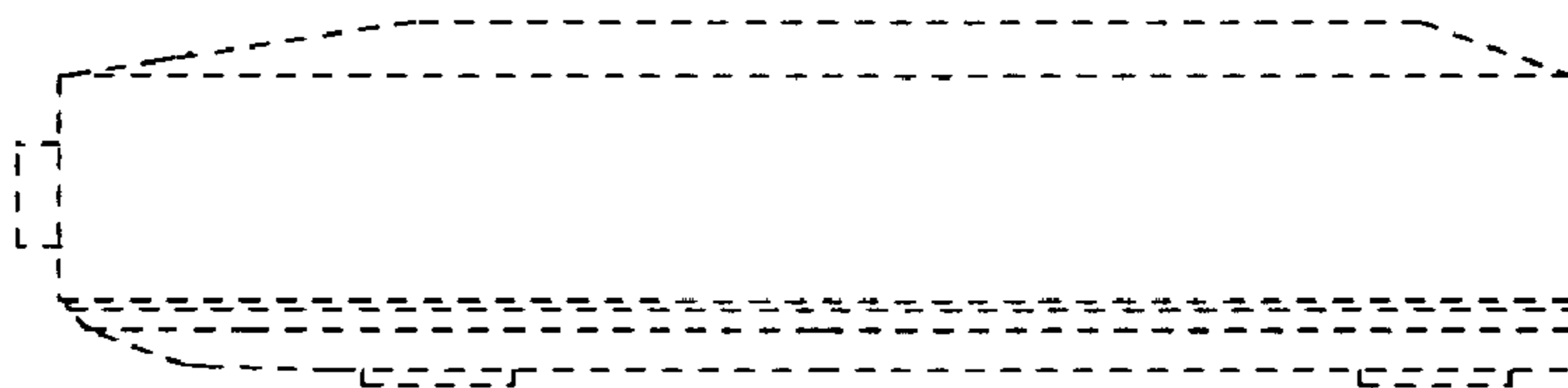


FIG.7

