



US00D568282S

(12) **United States Design Patent**
Choi et al.

(10) **Patent No.:** **US D568,282 S**

(45) **Date of Patent:** **** May 6, 2008**

(54) **CELLULAR PHONE**

(75) Inventors: **Kwang-Ha Choi**, Seoul (KR);
Sang-Min Hyun, Seoul (KR);
Chang-Soo Lee, Incheon (KR)

(73) Assignee: **Samsung Electronics Co., Ltd.**,
Suwon-Si (KR)

(**) Term: **14 Years**

(21) Appl. No.: **29/268,916**

(22) Filed: **Nov. 16, 2006**

(30) **Foreign Application Priority Data**

Jun. 5, 2006 (KR) 30-2006-0020867

(51) **LOC (8) Cl.** **14-03**

(52) **U.S. Cl.** **D14/138**

(58) **Field of Classification Search** D14/137,
D14/138, 147, 218, 341-347; 455/90.3,
455/556.1, 556.2, 575.1, 575.3, 575.4; 379/433.01-433.13;
361/814; 348/14.02; D23/366

See application file for complete search history.

(56) **References Cited**

U.S. PATENT DOCUMENTS

D485,818 S *	1/2004	Yabe et al.	D14/138
D486,461 S *	2/2004	Seo et al.	D14/138
D493,439 S *	7/2004	Hong et al.	D14/138
D498,468 S *	11/2004	Seo	D14/138
D508,032 S *	8/2005	Kim et al.	D14/138
D508,033 S *	8/2005	Kim et al.	D14/138
D508,037 S *	8/2005	Joung	D14/138
D510,080 S *	9/2005	Kim et al.	D14/138
D512,039 S *	11/2005	Kim et al.	D14/138
D512,397 S *	12/2005	Choi et al.	D14/138
D515,061 S *	2/2006	Kim et al.	D14/138
D518,014 S *	3/2006	Cho	D14/138
D518,460 S *	4/2006	Jung et al.	D14/138
D518,466 S *	4/2006	Kim et al.	D14/138
D519,480 S *	4/2006	Jung et al.	D14/138
D519,971 S *	5/2006	Morita et al.	D14/138
D520,979 S *	5/2006	Kim et al.	D14/138

D535,633 S *	1/2007	Cho	D14/138
D542,761 S *	5/2007	Yoo et al.	D14/138
D545,285 S *	6/2007	Hong et al.	D14/138
D546,310 S *	7/2007	Lee	D14/138
D548,220 S *	8/2007	Takagi	D14/167
D552,576 S *	10/2007	Kim et al.	D14/138
2002/0058527 A1 *	5/2002	Kawasaki et al.	455/550
2004/0204065 A1 *	10/2004	Kota et al.	455/556.1
2004/0248625 A1 *	12/2004	Yoshida et al.	455/575.1

OTHER PUBLICATIONS

Samsung C260, announced Feb. 2007, [online], [retrieved on Nov. 29, 2007]. Retrieved from Internet ,<URL: http://www.gsmarena.com>.*

(Continued)

Primary Examiner—Jeffrey Asch
Assistant Examiner—Bridget L Eland

(74) *Attorney, Agent, or Firm*—Staas & Halsey LLP

(57) **CLAIM**

The ornamental design for a cellular phone, as shown and described.

DESCRIPTION

FIG. 1 is a perspective view of a cellular phone according to our new design;

FIG. 2 is a front elevational view thereof;

FIG. 3 is a rear elevational view thereof;

FIG. 4 is a left side elevational view thereof;

FIG. 5 is a right side elevational view thereof;

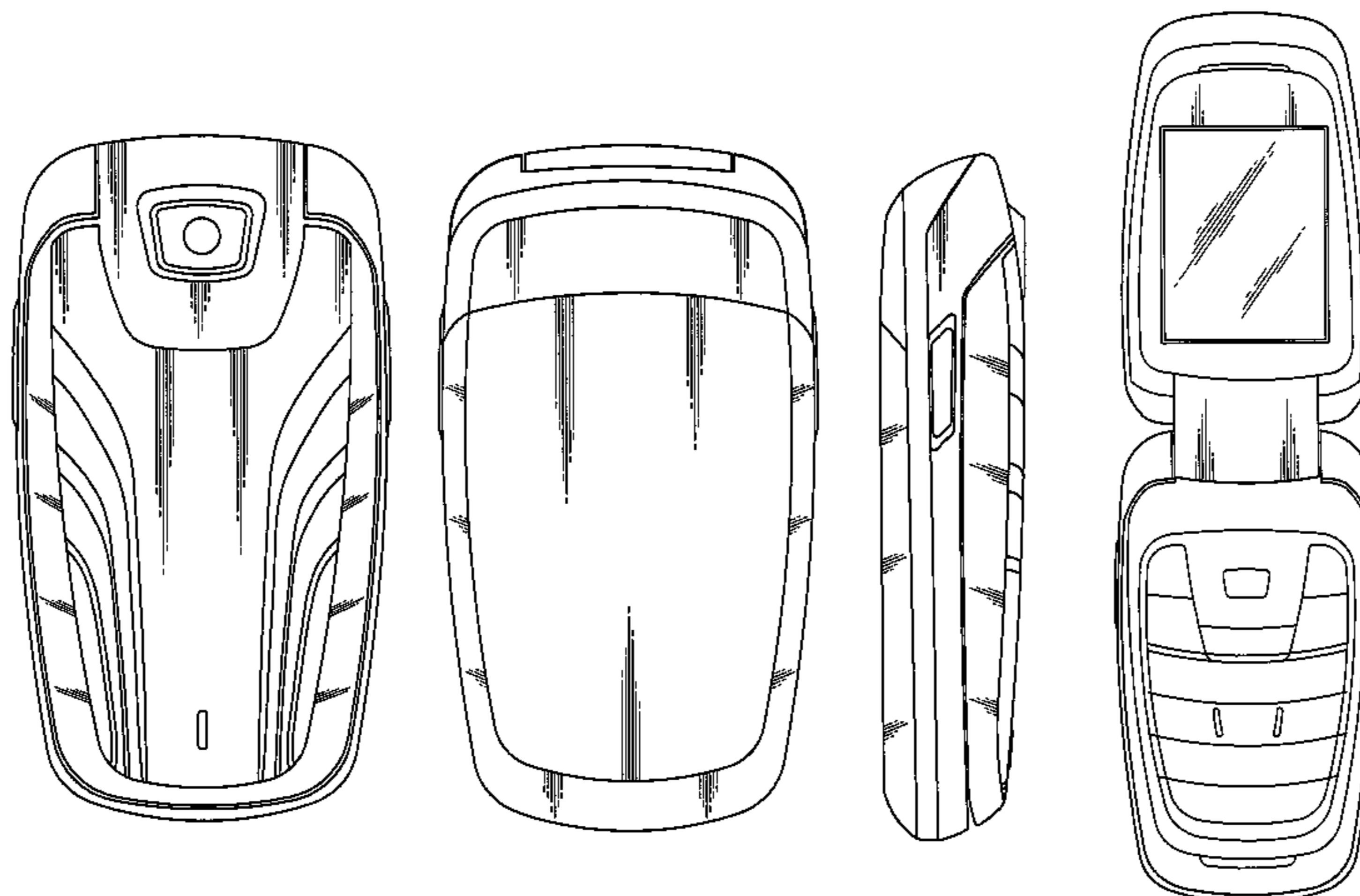
FIG. 6 is a top plan view thereof;

FIG. 7 is a bottom plan view thereof; and,

FIG. 8 is a front elevational view of the cellular phone according to our new design in a state in which the folder of the cellular phone is opened to be used.

The surface(s) or portion(s) of the article not shown in the drawing or described in the specification form(s) no part of the claimed design:

1 Claim, 8 Drawing Sheets



OTHER PUBLICATIONS

Samsung C400, announced Sep. 2006, [online], [retrieved on Nov. 29, 2007]. Retrieved from Internet ,<URL: <http://www.gsmarena.com>>.*

Samsung E490, announced Nov. 2006, [online], [retrieved on Nov. 29, 2007]. Retrieved from Internet ,<URL: <http://www.gsmarena.com>>.*

BenQ M350, announced 2nd quarter 2005, [online], [retrieved on Nov. 30, 2007]. Retrieved from Internet ,<URL: <http://www.gsmarena.com>>.*

* cited by examiner

FIG.1

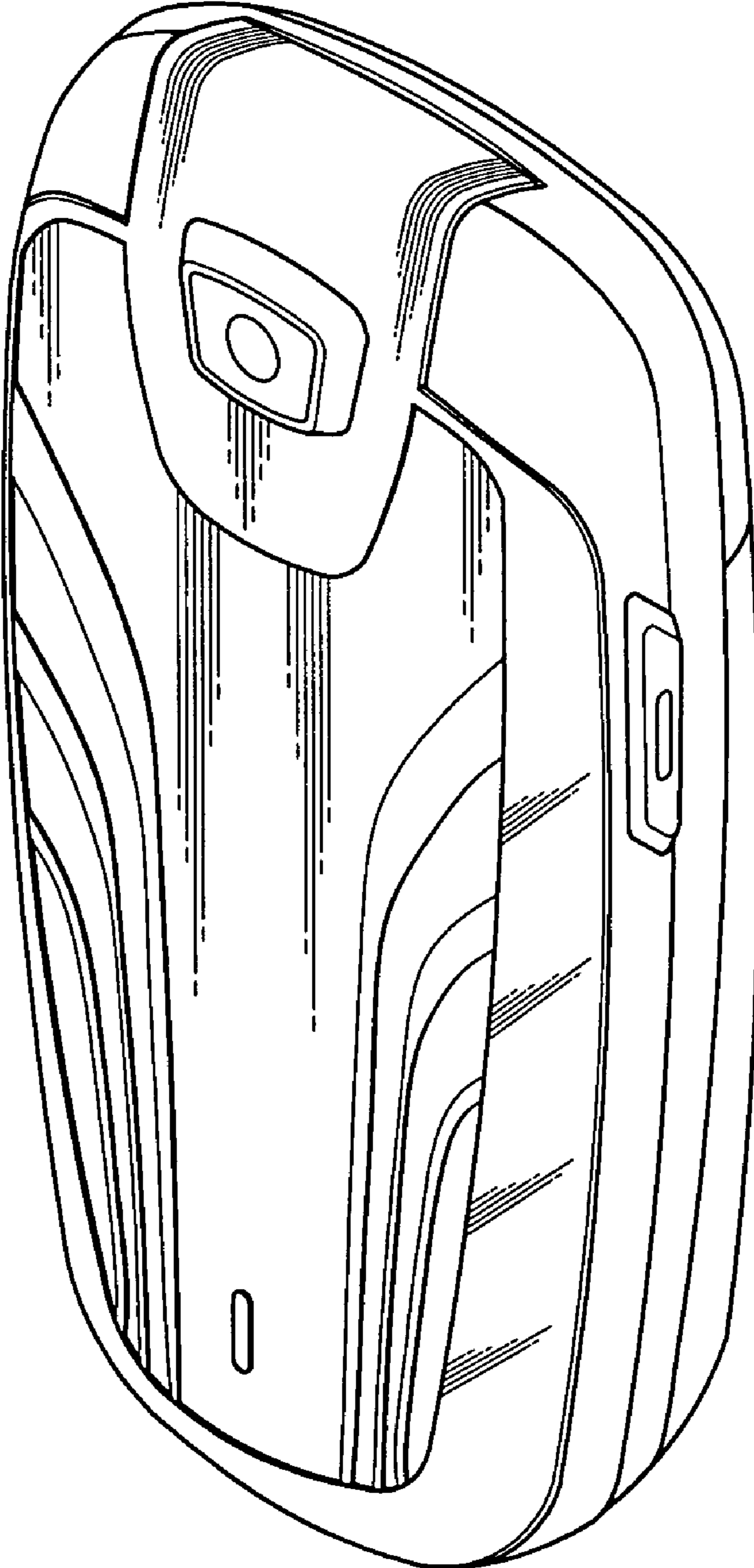


FIG.2

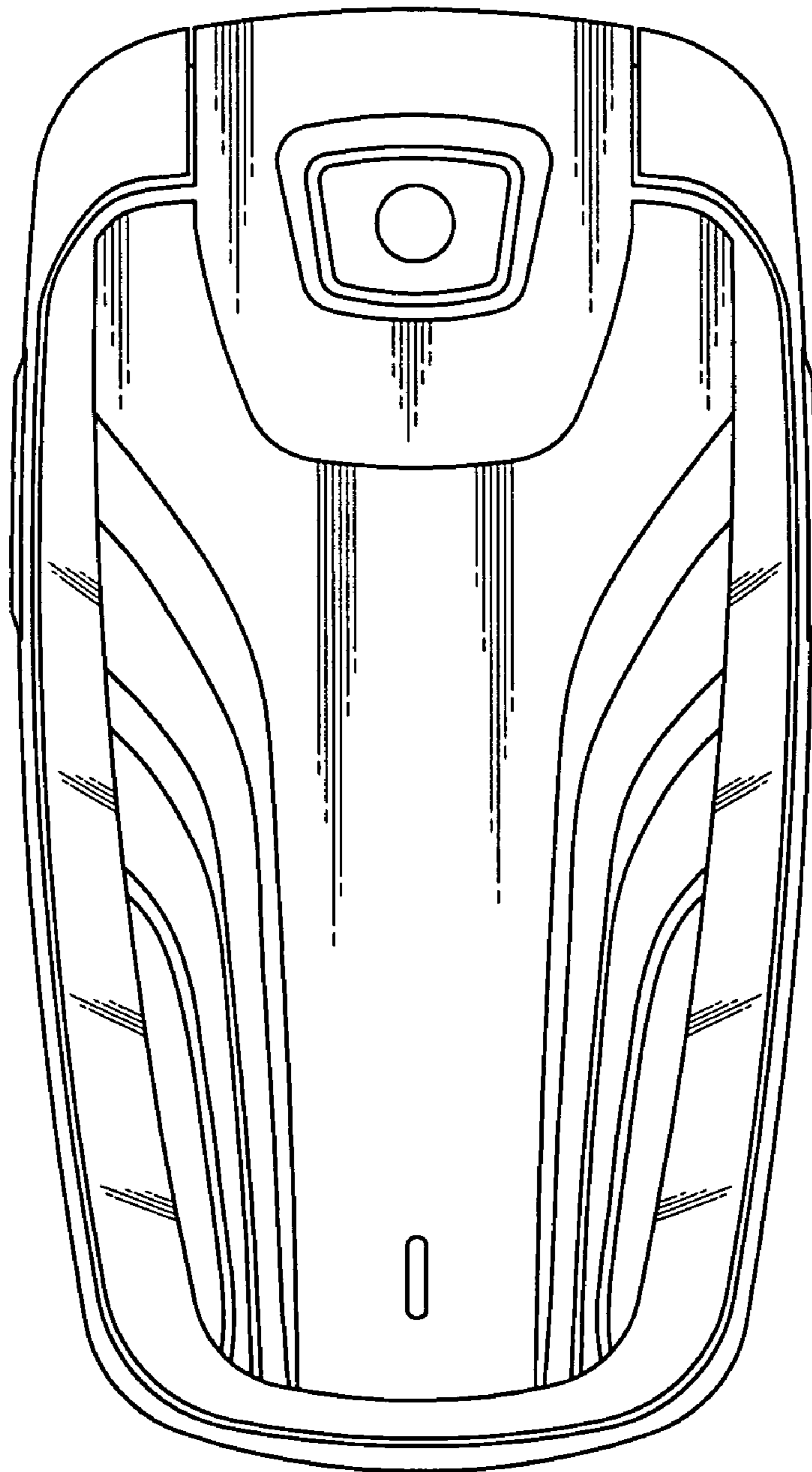


FIG.3

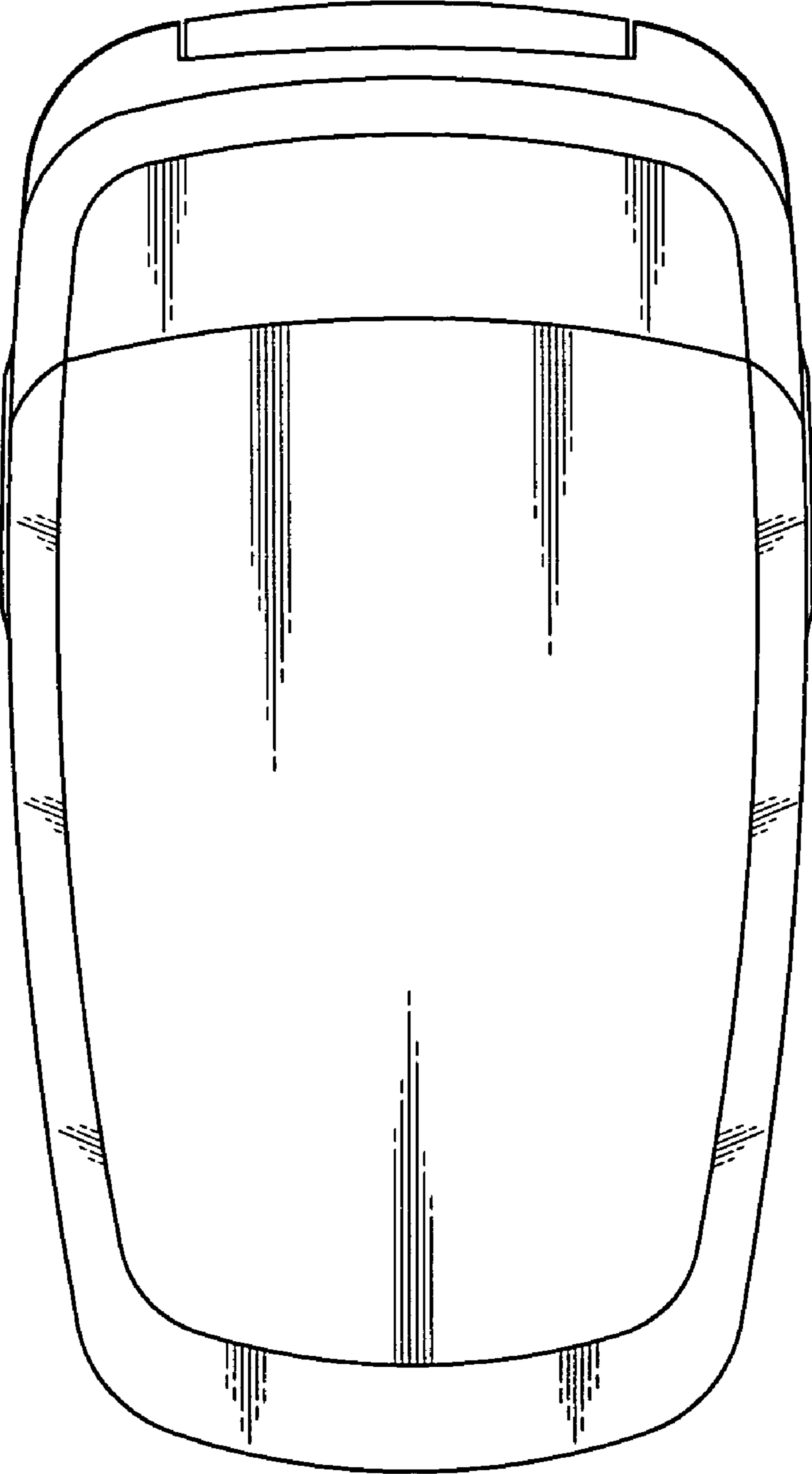


FIG.4

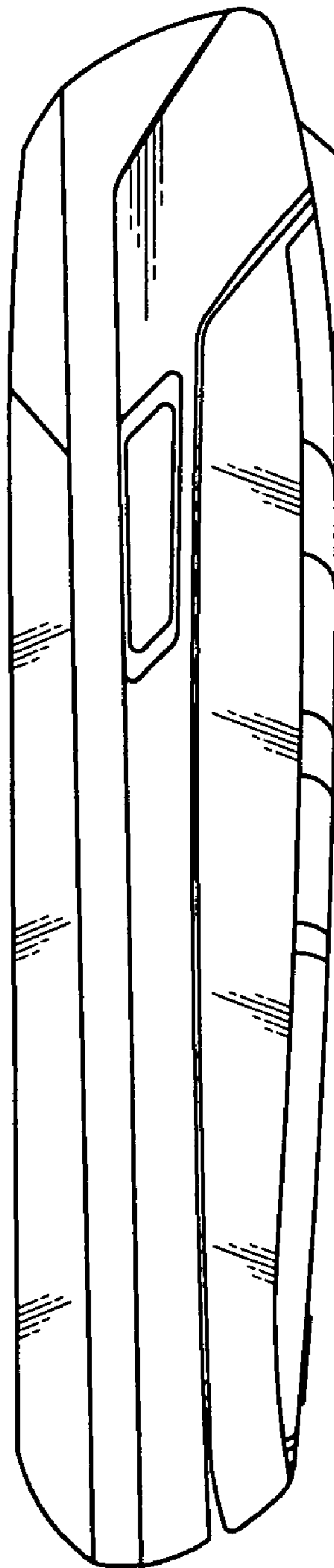


FIG.5

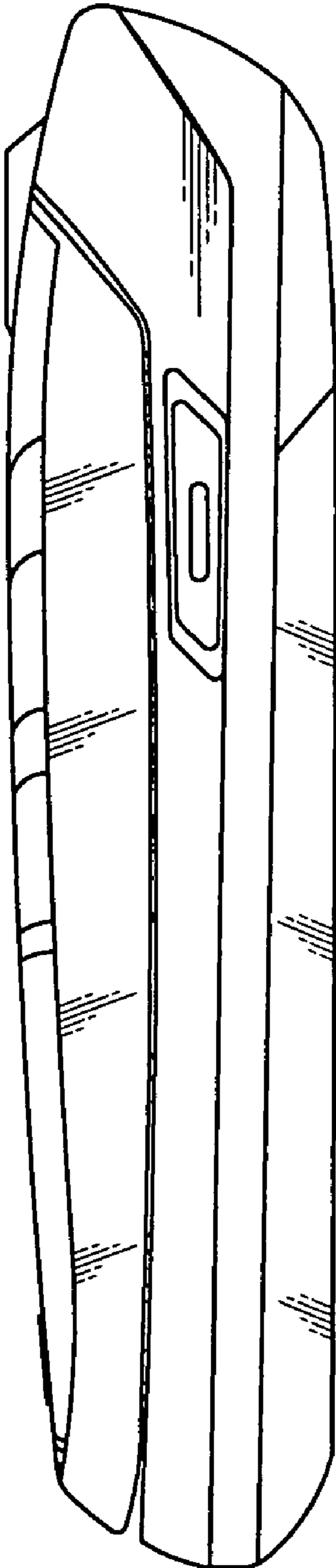


FIG.6

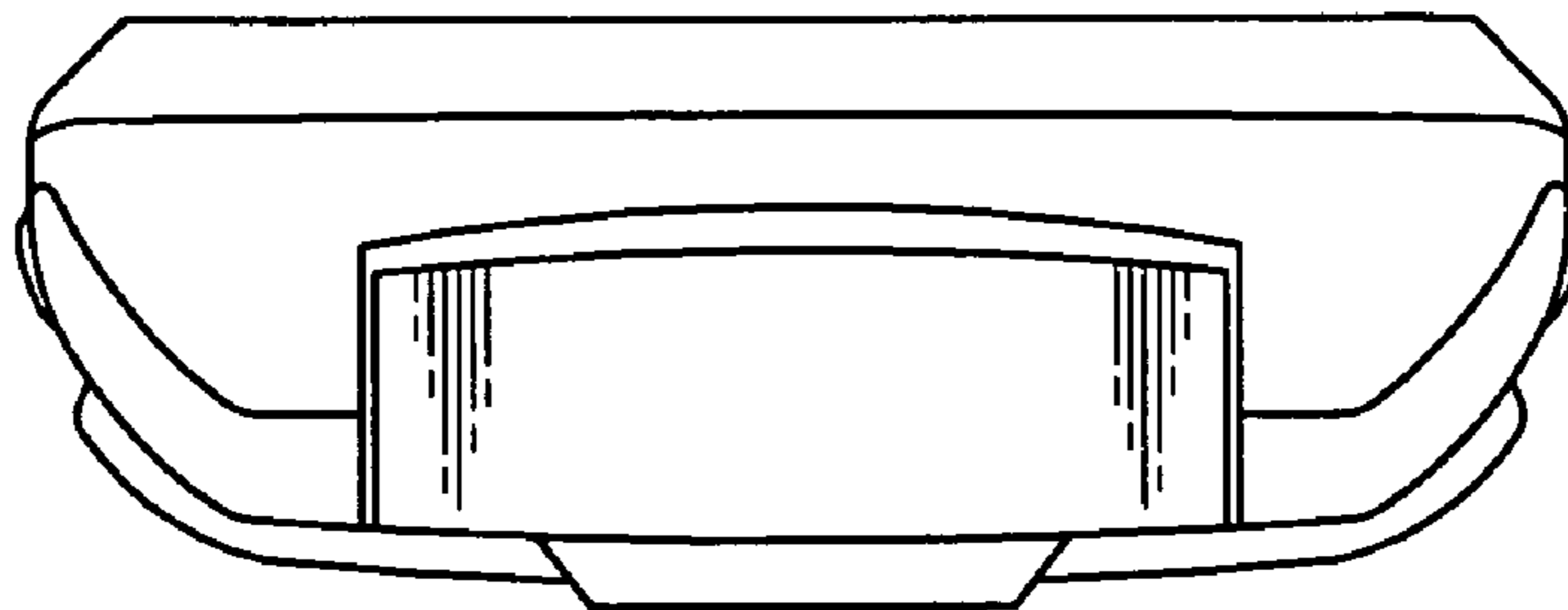


FIG.7

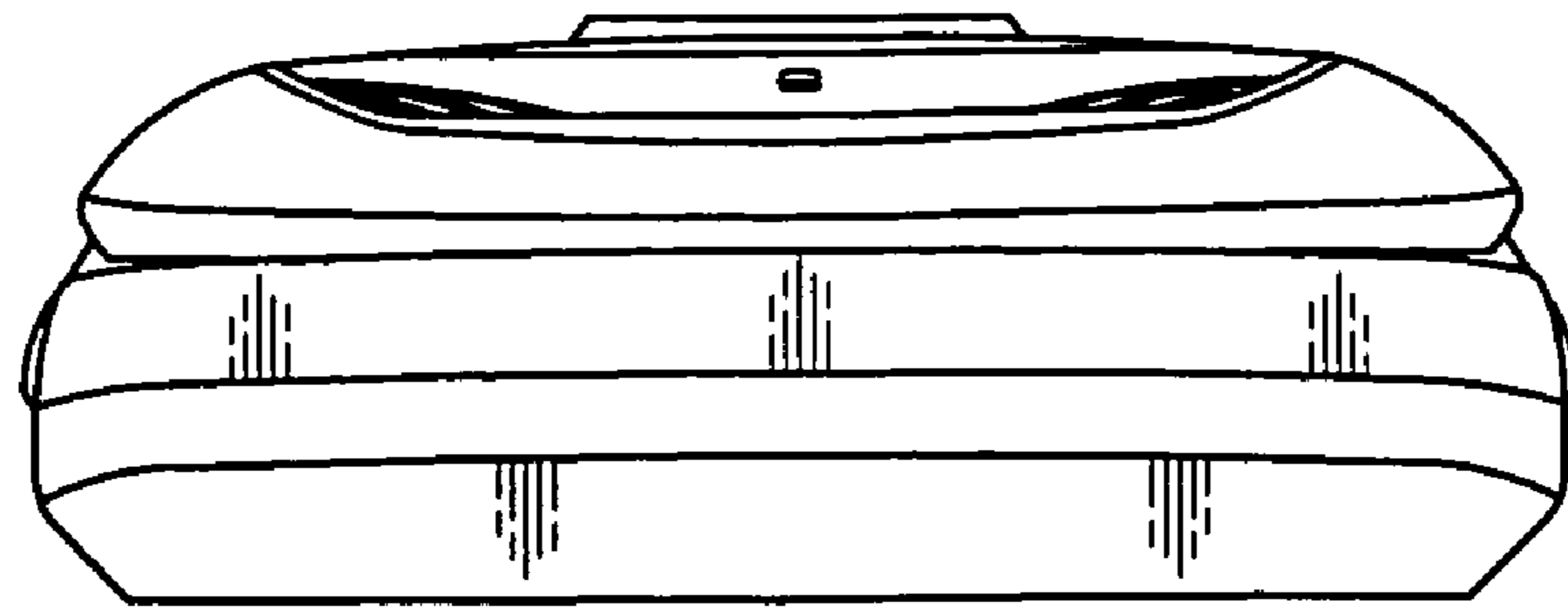


FIG.8

