



US00D568279S

(12) **United States Design Patent**  
**Kwon et al.**

(10) **Patent No.: US D568,279 S**

(45) **Date of Patent: \*\* May 6, 2008**

(54) **MOBILE PHONE**

(75) Inventors: **Kyung-Jun Kwon**, Hanam-si (KR);  
**Joon-Suh Kim**, Anyang-si (KR);  
**Chang-Soo Lee**, Incheon (KR)

(73) Assignee: **Samsung Electronics Co., Ltd.** (KR)

(\*\*) Term: **14 Years**

(21) Appl. No.: **29/263,868**

(22) Filed: **Jul. 31, 2006**

(30) **Foreign Application Priority Data**

May 17, 2006 (KR) ..... 30-2006-0018273

(51) **LOC (8) Cl.** ..... **14-03**

(52) **U.S. Cl.** ..... **D14/138**

(58) **Field of Classification Search** ..... D14/496,  
D14/138, 341-347; 455/575.3, 575.1; D21/517,  
D21/329, 333

See application file for complete search history.

(56) **References Cited**

**U.S. PATENT DOCUMENTS**

D321,865 S *	11/1991	Derocher	.....	D14/345
D352,503 S *	11/1994	Nagele	.....	D14/138
D447,128 S *	8/2001	Lee et al.	.....	D14/138
D476,303 S *	6/2003	Lee et al.	.....	D14/138
D477,294 S *	7/2003	Ikeda et al.	.....	D14/138
D482,030 S *	11/2003	Kataoka	.....	D14/345
D490,793 S *	6/2004	Tsai et al.	.....	D14/138
D496,643 S *	9/2004	Yoo et al.	.....	D14/138
D518,467 S *	4/2006	Kim et al.	.....	D14/138
D540,769 S *	4/2007	Lee et al.	.....	D14/138
D543,172 S *	5/2007	Lee et al.	.....	D14/138
D545,287 S *	6/2007	Han et al.	.....	D14/138
D546,307 S *	7/2007	Lee	.....	D14/138
D548,212 S *	8/2007	Lee	.....	D14/138
D551,643 S *	9/2007	Kim et al.	.....	D14/138
2003/0125079 A1 *	7/2003	Park et al.	.....	455/556
2004/0203535 A1 *	10/2004	Kim et al.	.....	455/90.3
2005/0227747 A1 *	10/2005	Song	.....	455/575.3
2005/0245296 A1 *	11/2005	Hong et al.	.....	455/575.3

2005/0282596 A1 *	12/2005	Park et al.	.....	455/575.3
2006/0019728 A1 *	1/2006	Sakamoto et al.	.....	455/575.3
2006/0135226 A1 *	6/2006	Won et al.	.....	455/575.3
2006/0148542 A1 *	7/2006	Oliver	.....	455/575.3
2007/0037616 A1 *	2/2007	Hung	.....	455/575.3
2007/0060217 A1 *	3/2007	Kim	.....	455/575.3
2007/0161414 A1 *	7/2007	Wang et al.	.....	455/575.3

**OTHER PUBLICATIONS**

Samsung Z560, announced Feb. 2006, [online], [site visited Dec. 16, 2007]. Available from Internet ,<URL: <http://www.gsmarena.com>>.\*

Samsung X520, announced Oct. 2006, [online], [site visited Dec. 16, 2007]. Available from Internet ,<URL: <http://www.gsmarena.com>>.\*

Samsung D550, announced Jun. 2005, [online], [site visited Dec. 16, 2007]. Available from Internet ,<URL: <http://www.gsmarena.com>>.\*

(Continued)

*Primary Examiner*—Jeffrey Asch

(74) *Attorney, Agent, or Firm*—Cantor Colburn LLP

(57) **CLAIM**

We claim, the ornamental design for a mobile phone, as shown and described.

**DESCRIPTION**

FIG. 1 is a top and front perspective view of a mobile phone, showing our new design;

FIG. 2 is a front elevational view thereof;

FIG. 3 is a rear elevational view thereof;

FIG. 4 is a left side elevational view thereof;

FIG. 5 is a right side elevational view thereof;

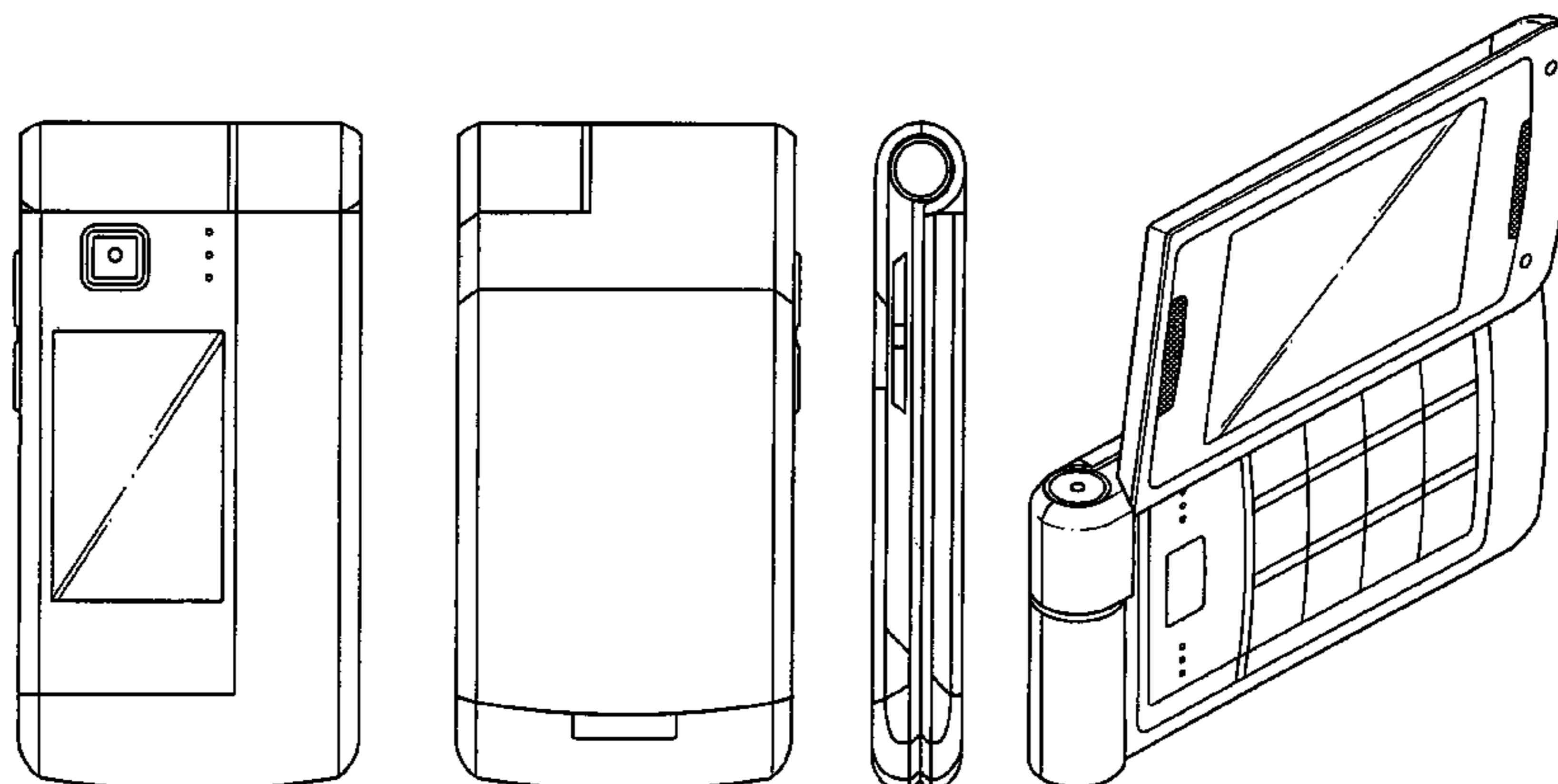
FIG. 6 is a top plan view thereof;

FIG. 7 is a bottom plan view thereof;

FIG. 8 is a top and front perspective view thereof, the mobile phone being in an alternate position; and,

FIG. 9 is a top and front perspective view thereof, the mobile phone being in an alternate position.

**1 Claim, 3 Drawing Sheets**



OTHER PUBLICATIONS

Samsung Z510, announced 4th quarter 2005, [online], [site visited Dec. 16, 2007]. Available from Internet ,<URL: <http://www.gsmarena.com>>.\*

Nokia N92 telephone, announced 4th quarter 2005, [online], [site visited Dec. 16, 2007]. Available from Internet ,<URL: <http://www.gsmarena.com>>.\*

Alcatel OT-E159 telephone, announced 1<sup>st</sup> quarter 2005, [online], [site visited Dec. 16, 2007]. Available from Internet ,<URL: <http://www.gsmarena.com>>.\*

\* cited by examiner

FIG. 1

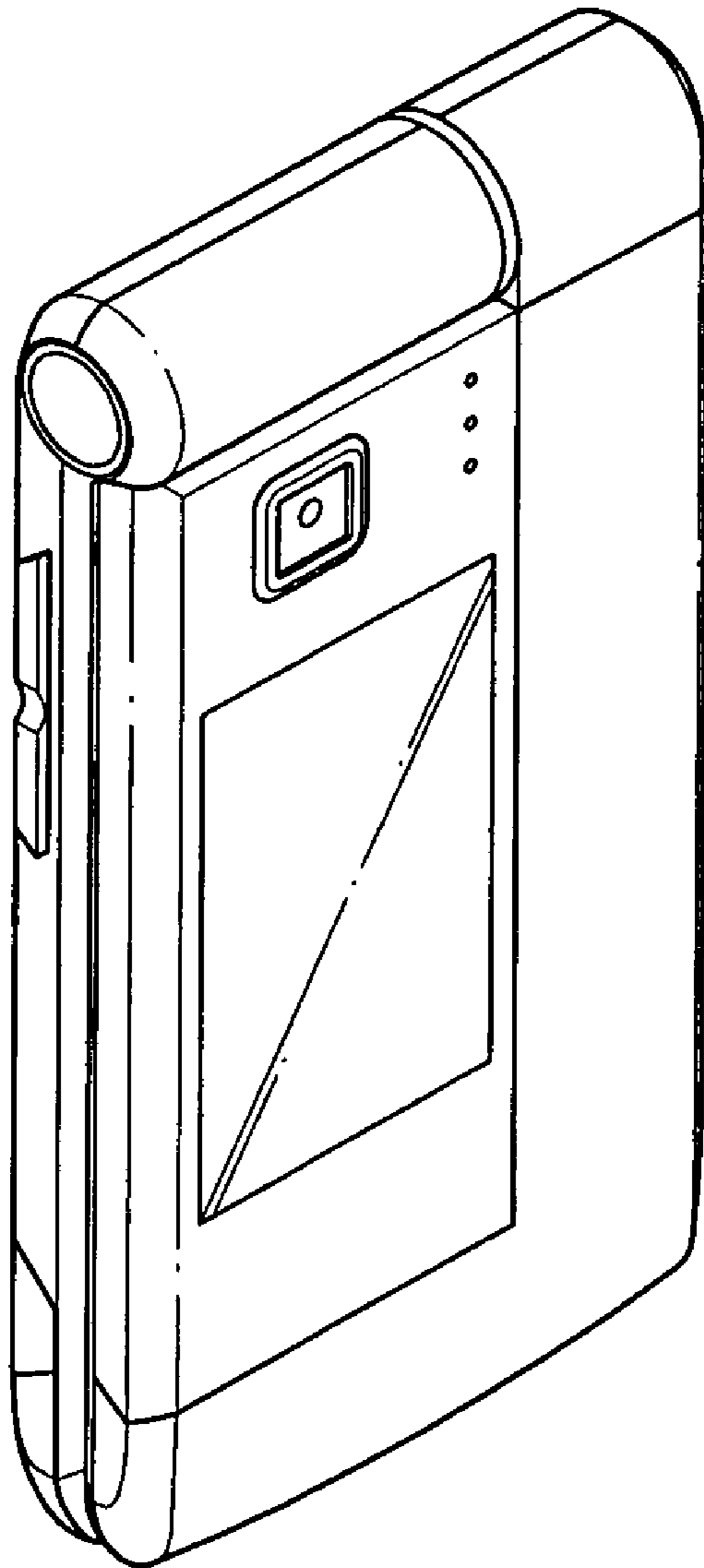


FIG. 2

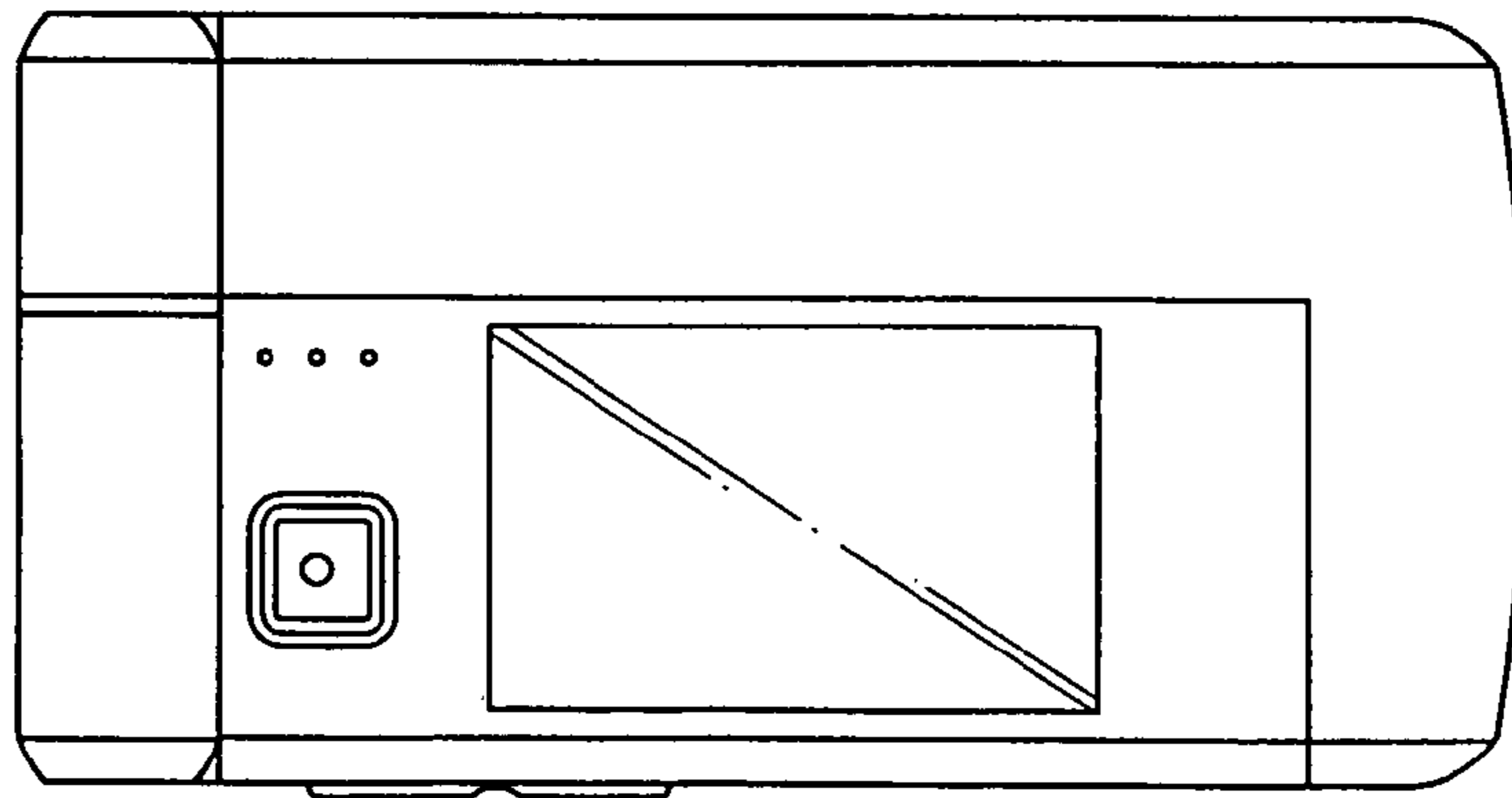


FIG. 3

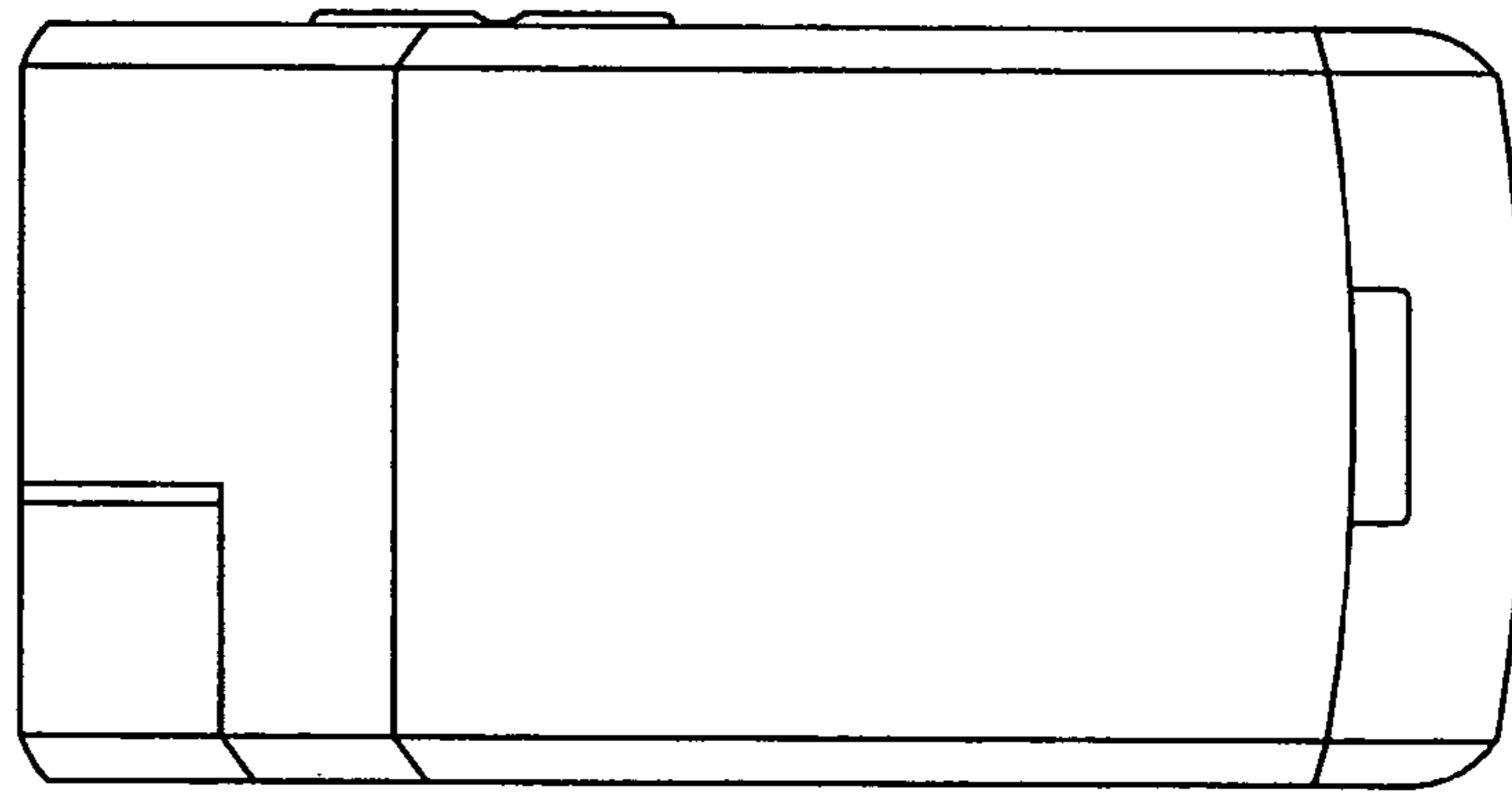


FIG. 4

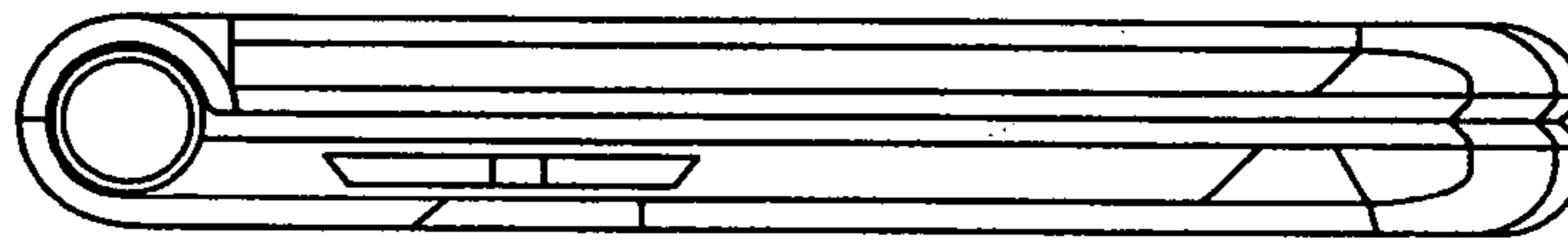


FIG. 5

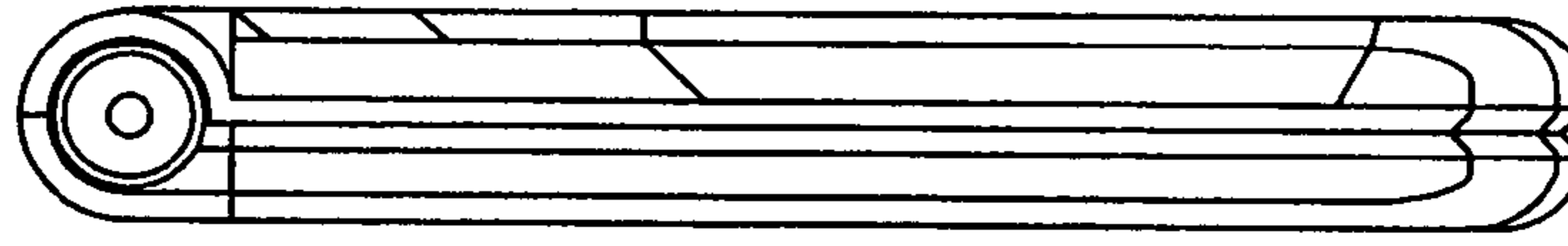


FIG. 6

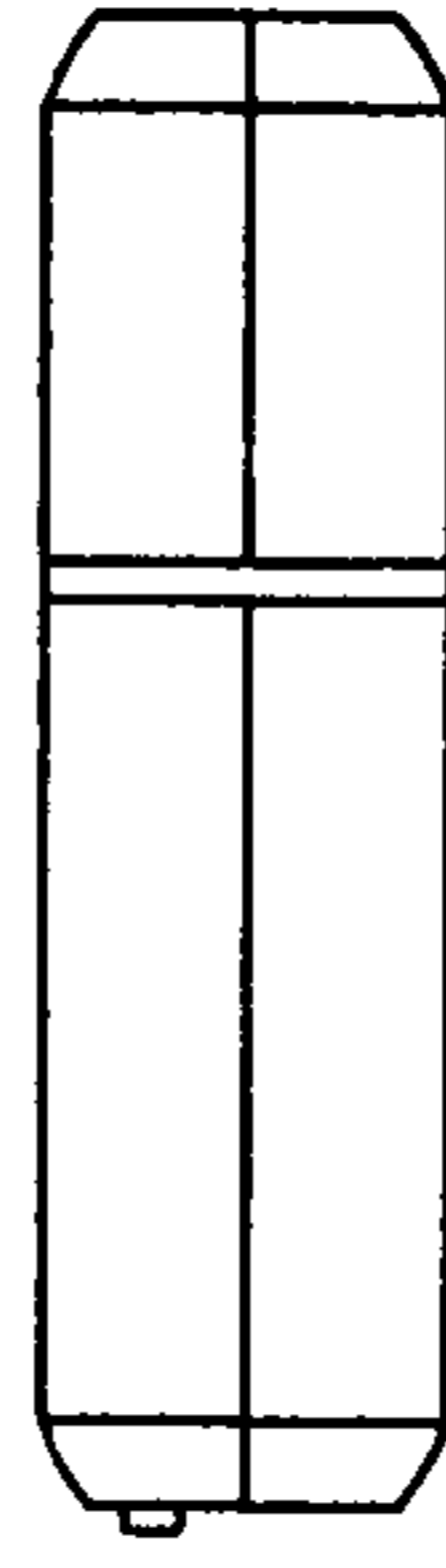


FIG. 7

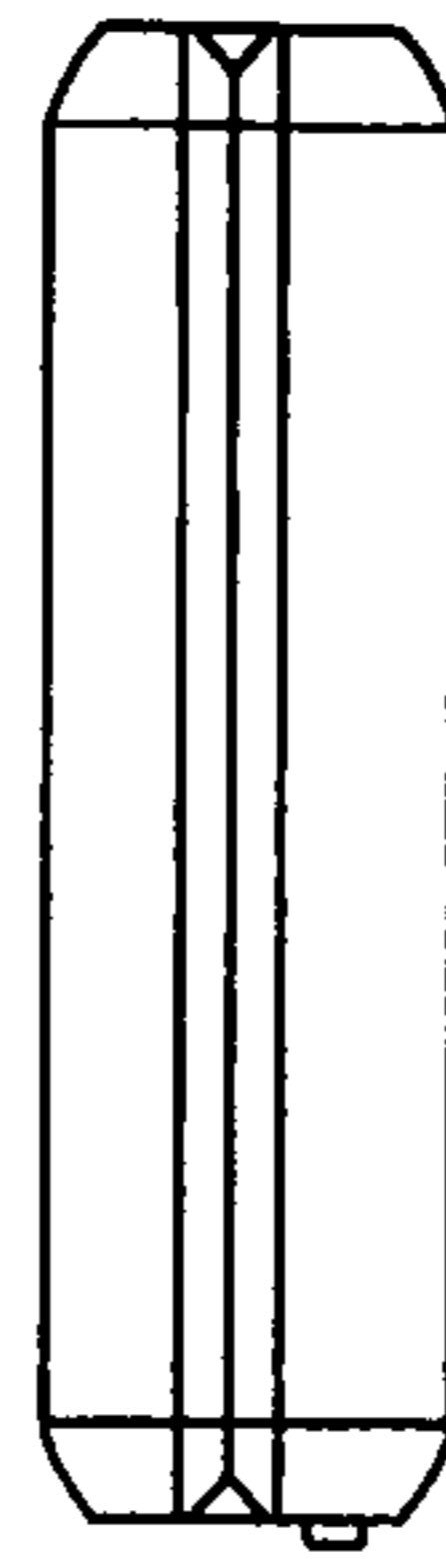


FIG. 8

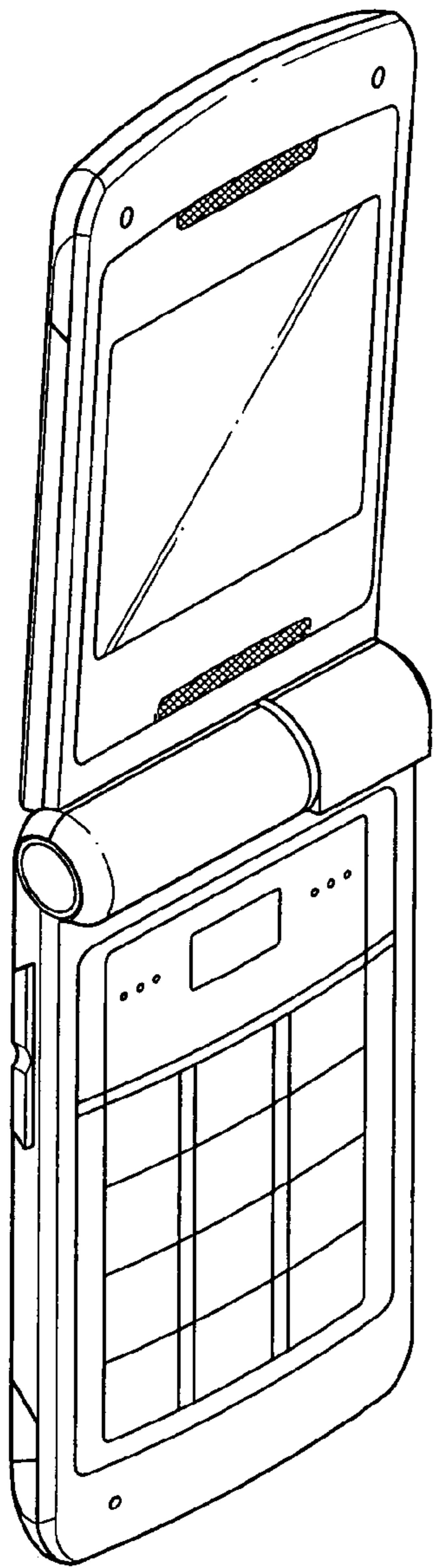


FIG. 9

