



US00D568275S

(12) **United States Design Patent**
Kaneda

(10) **Patent No.:** **US D568,275 S**

(45) **Date of Patent:** **** May 6, 2008**

(54) **COMBINED VIDEO TAPE RECORDER WITH A DISPLAY**

(75) Inventor: **Yasuhisa Kaneda**, Tokyo (JP)

(73) Assignee: **Sony Corporation**, Tokyo (JP)

(**) Term: **14 Years**

(21) Appl. No.: **29/287,282**

(22) Filed: **Jul. 19, 2007**

(51) **LOC (8) Cl.** **14-03**

(52) **U.S. Cl.** **D14/132**

(58) **Field of Classification Search** D14/125-134,
D14/239, 371, 136, 374-377; 312/7.2; 348/836,
348/838, 180, 184, 325, 739; 341/12; 248/917-924,
248/465; 345/104, 133, 156, 168, 87, 173;
720/605, 669, 600, 655; 369/99, 197; 455/344-347
See application file for complete search history.

(56) **References Cited**

U.S. PATENT DOCUMENTS

D422,569 S	4/2000	Ogasawara	
D433,668 S	11/2000	Nakamura	
D439,229 S *	3/2001	Ishibashi	D14/136
D445,408 S *	7/2001	Hwang	D14/132
D454,847 S *	3/2002	Busse	D14/132
D467,887 S *	12/2002	Azuma et al.	D14/136
D468,711 S *	1/2003	Chang	D14/129
D509,491 S *	9/2005	Chen	D14/132
D512,971 S *	12/2005	Chen	D14/129
D529,906 S	10/2006	Kumano	

D531,970 S *	11/2006	Tsai et al.	D14/129
D533,527 S *	12/2006	Tsai et al.	D14/129
D535,956 S *	1/2007	Peng	D14/132
D544,454 S	6/2007	Miyazaki	
2005/0190308 A1 *	9/2005	Chen	348/837

FOREIGN PATENT DOCUMENTS

JP	D1025190 S	11/1998
JP	D1106585 S	4/2001
JP	D1242825 S	6/2005

* cited by examiner

Primary Examiner—Raphael Barkai

(74) *Attorney, Agent, or Firm*—Rader, Fishman & Grauer, PLLC

(57) **CLAIM**

The ornamental design for a combined video tape recorder with a display, as shown.

DESCRIPTION

FIG. 1 is a perspective view of a combined video tape recorder with a display showing my new design;

FIG. 2 is a front elevational view thereof;

FIG. 3 is a rear elevation view thereof;

FIG. 4 is a left side elevational view thereof;

FIG. 5 is a right side elevational view thereof;

FIG. 6 is a top plan view thereof; and,

FIG. 7 is a bottom plan view thereof.

1 Claim, 7 Drawing Sheets

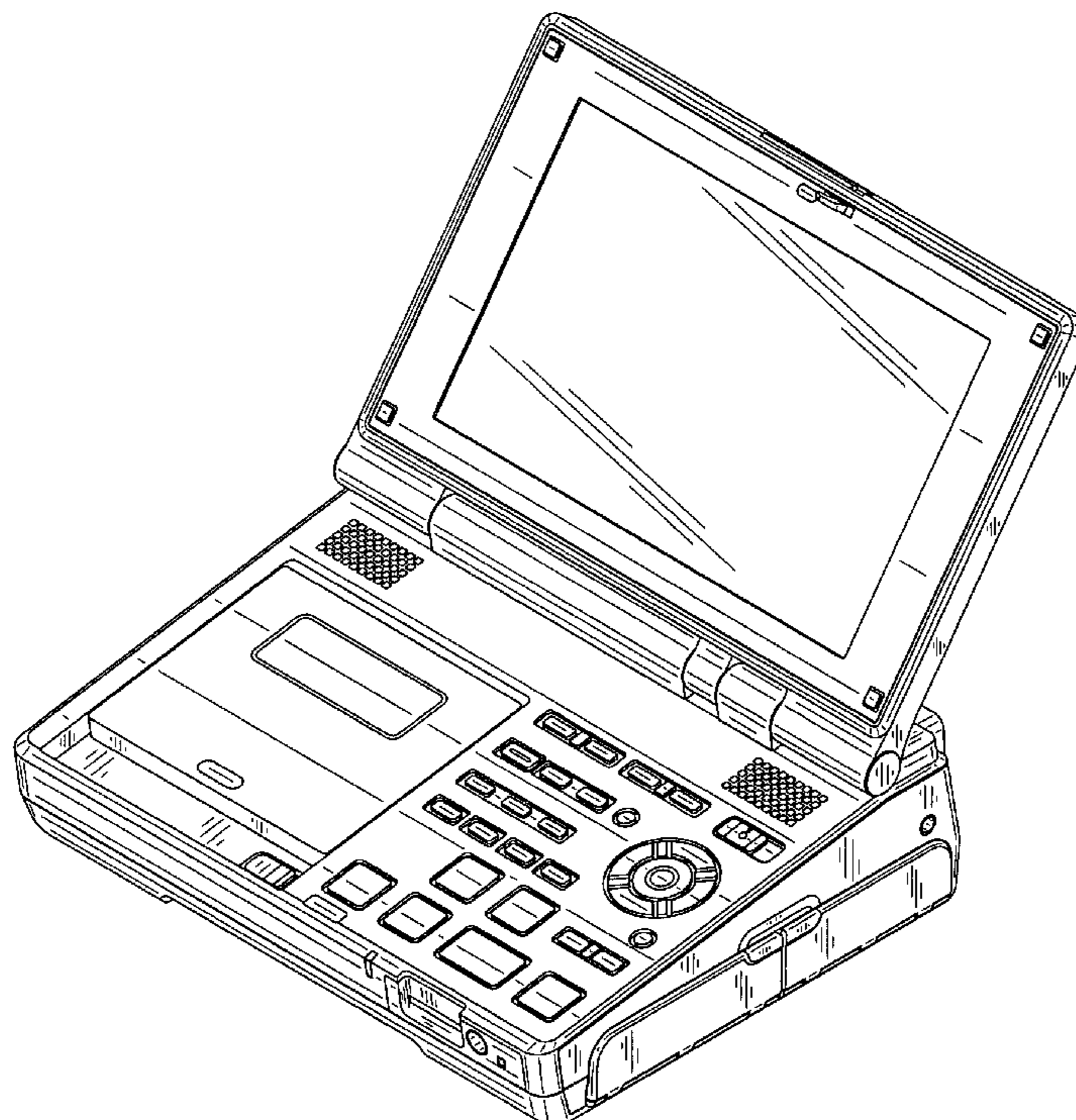


Fig. 1



Fig.2

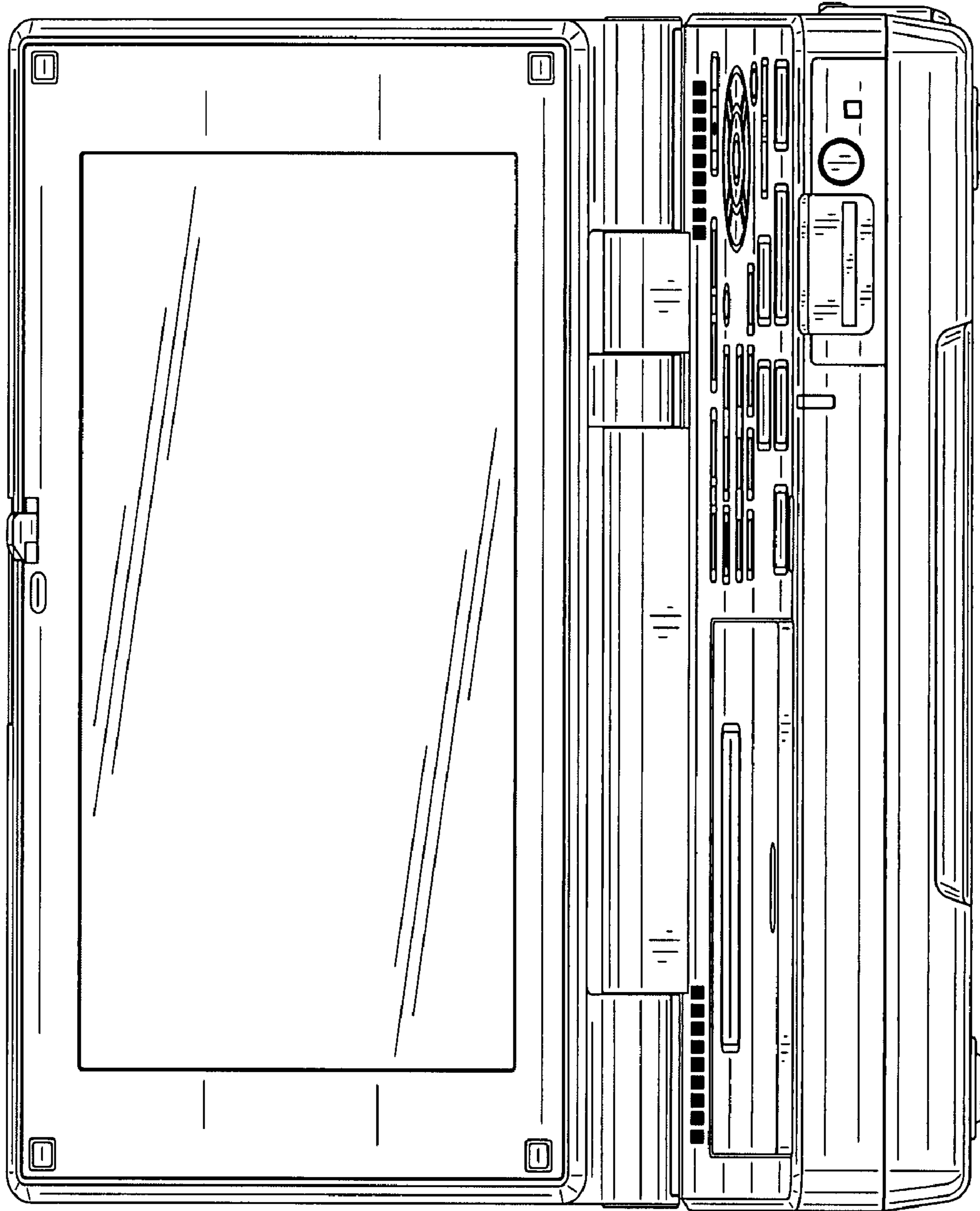


Fig.3

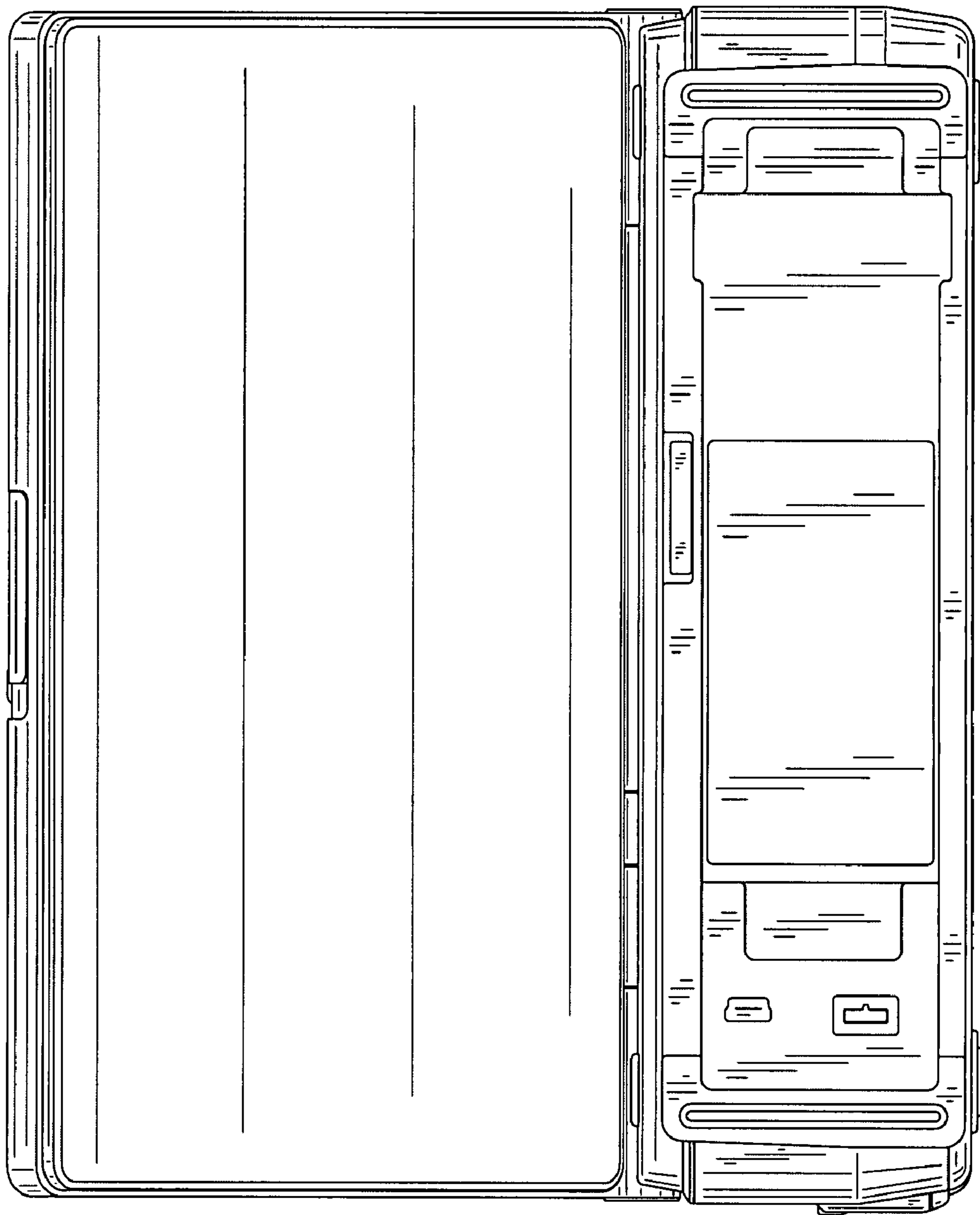
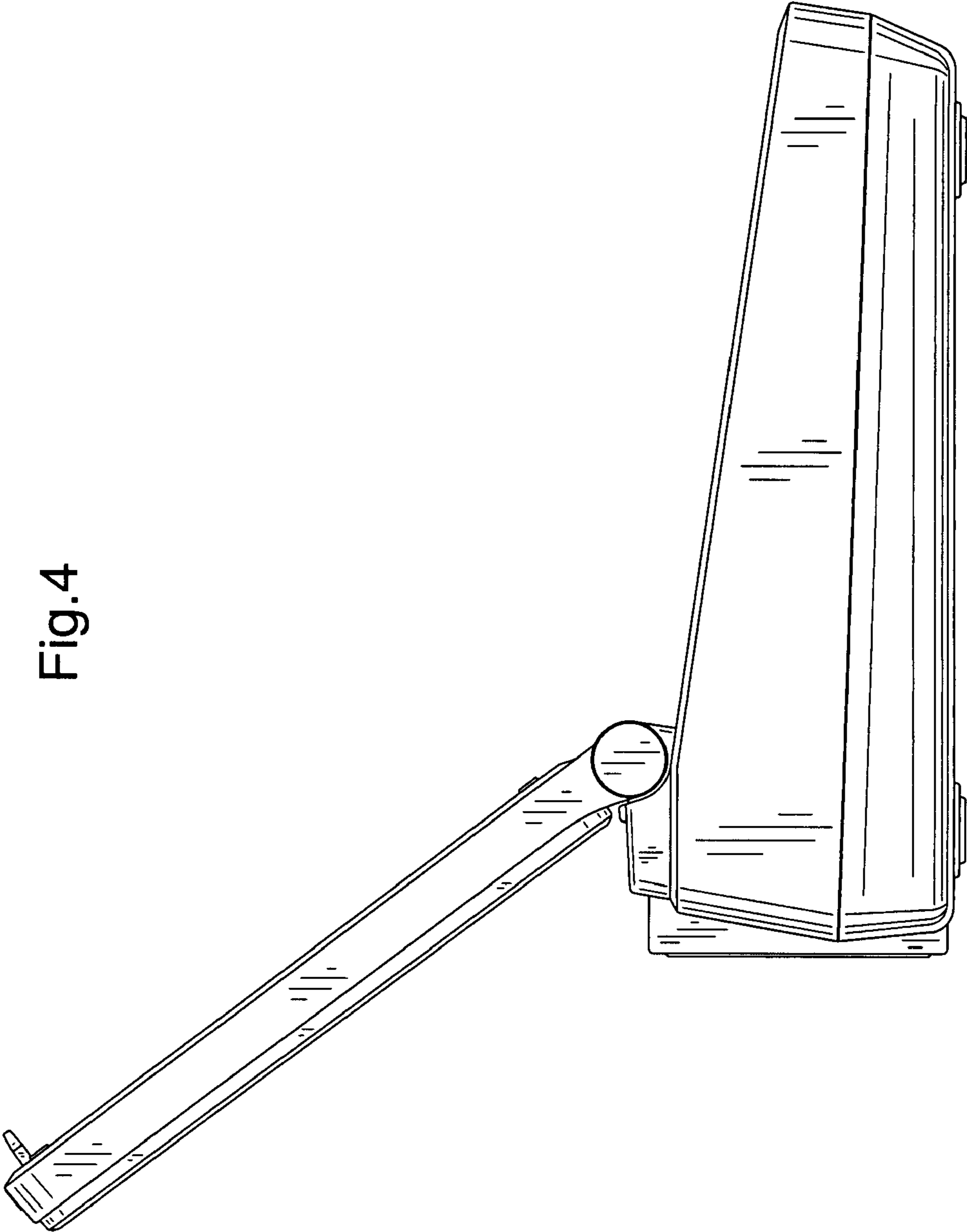


Fig.4



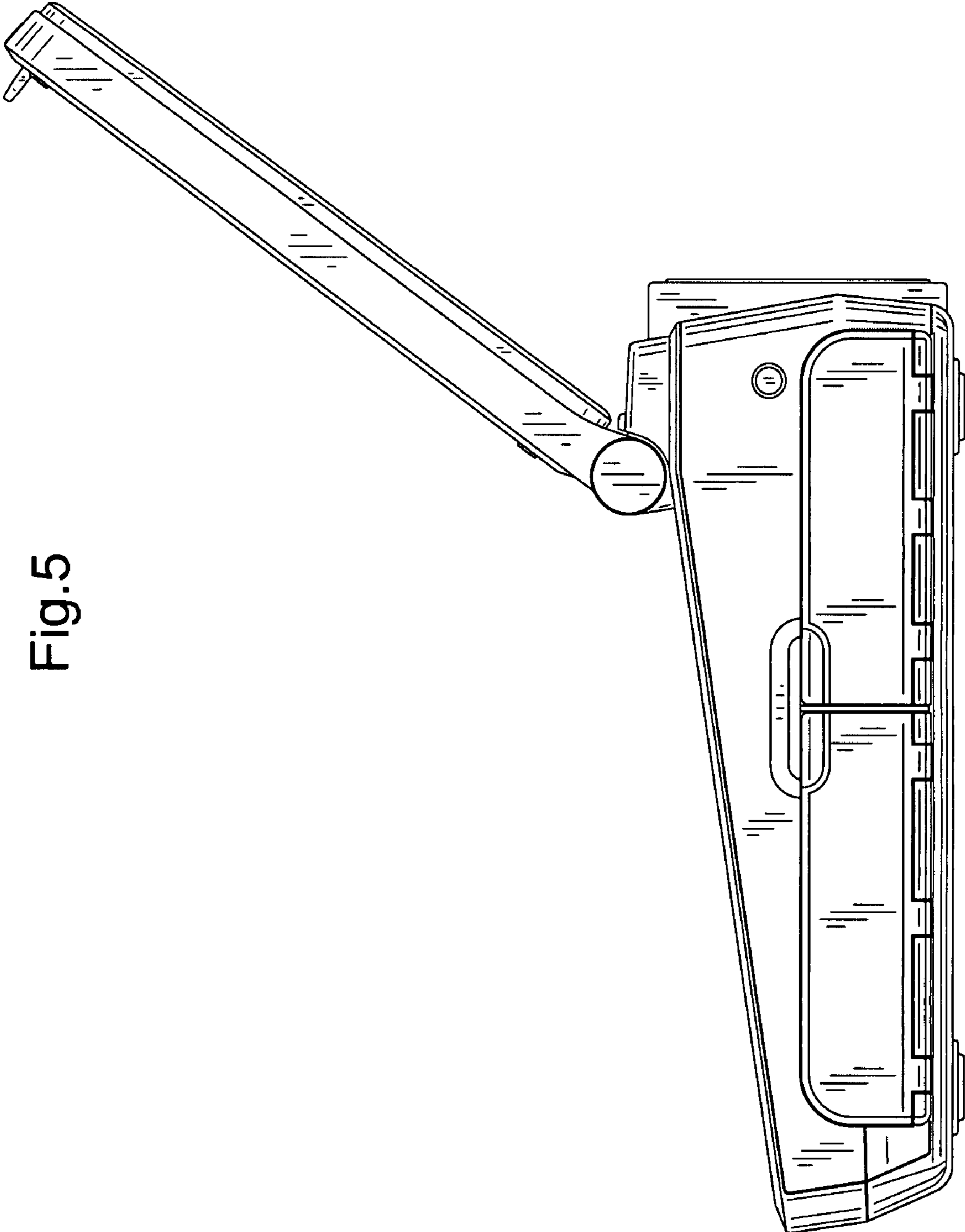


Fig.5

Fig.6

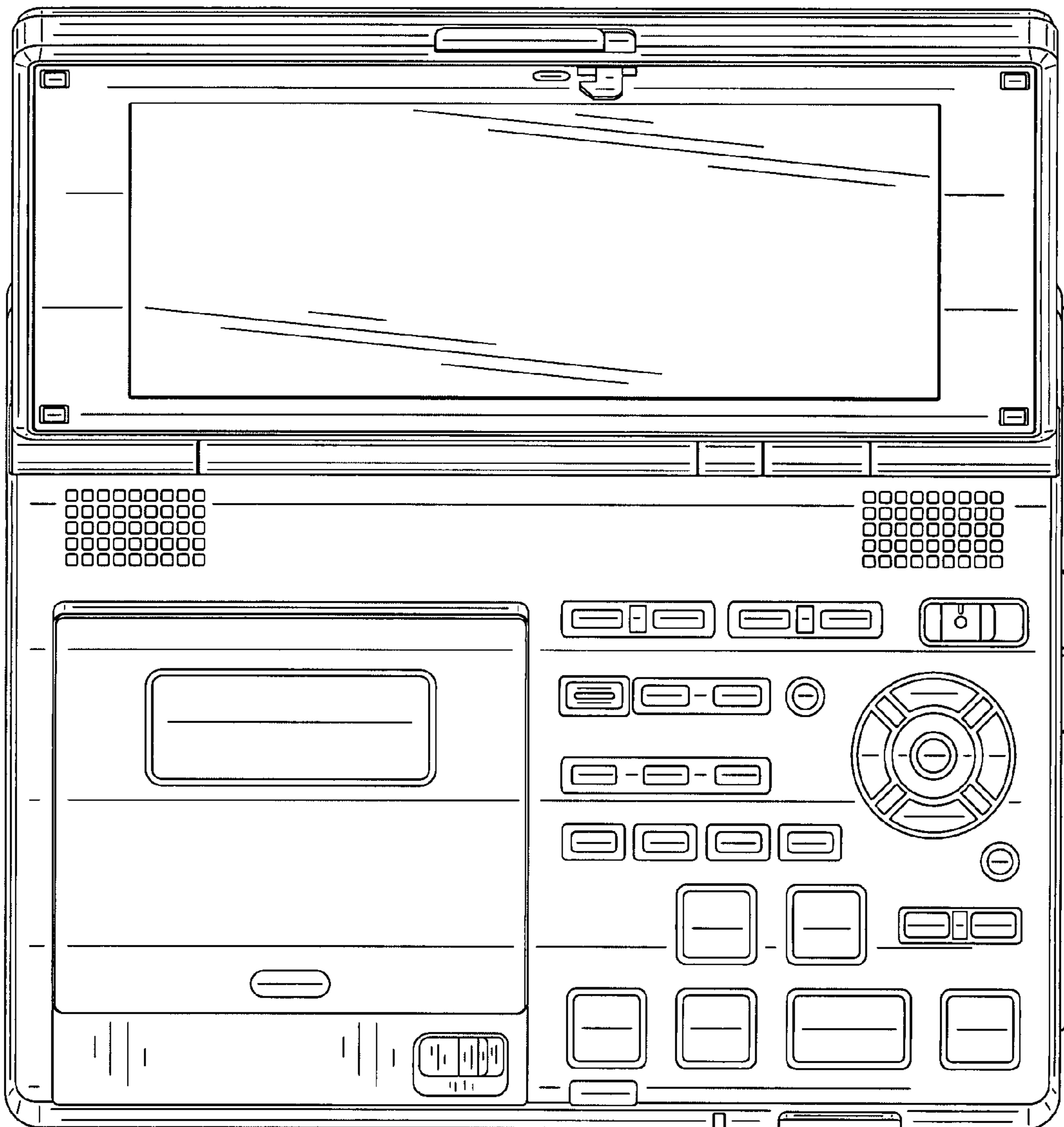


Fig.7

