



US00D568270S

(12) **United States Design Patent**
Chen

(10) **Patent No.:** **US D568,270 S**

(45) **Date of Patent:** **** May 6, 2008**

(54) **MULTIMEDIA PLAYER**

(75) Inventor: **Chou Wan Chen**, Guangdong (CN)

(73) Assignee: **Dong Guan Evervictory Electronic Co., Ltd.**, Guangdong (CN)

(**) Term: **14 Years**

(21) Appl. No.: **29/295,320**

(22) Filed: **Sep. 26, 2007**

(51) **LOC (8) Cl.** **14-03**

(52) **U.S. Cl.** **D14/129**

(58) **Field of Classification Search** D14/125-134,
D14/239, 371, 136, 374-377; 312/7.2; 348/836,
348/838, 180, 184, 325, 739; 341/12; 248/917-924,
248/465; 345/104, 133, 156, 168, 87, 173;
720/605, 669, 600, 655; 369/99, 197; 455/344-347
See application file for complete search history.

(56) **References Cited**

U.S. PATENT DOCUMENTS

D370,466 S	*	6/1996	Vossoughi	D14/336
D390,218 S	*	2/1998	Meisner et al.	D14/132
D434,397 S	*	11/2000	Sasago	D14/125
D462,335 S	*	9/2002	Serbinski et al.	D14/129
D488,140 S	*	4/2004	Hanselman et al.	D14/129

D513,010 S	*	12/2005	Hussaini et al.	D14/496
D522,472 S	*	6/2006	Lin	D14/126
D531,150 S	*	10/2006	Yabe et al.	D14/129
D553,641 S	*	10/2007	Williamson et al.	D14/496
D555,666 S	*	11/2007	Hussaini et al.	D21/333
2007/0262953 A1	*	11/2007	Zackschewski	345/156

* cited by examiner

Primary Examiner—Raphael Barkai

(74) *Attorney, Agent, or Firm*—Banger Shia

(57) **CLAIM**

The ornamental design for multimedia player, as shown and described.

DESCRIPTION

FIG. 1 is a perspective view of multimedia player showing my present design,

FIG. 2 is a front elevation view thereof;

FIG. 3 is a rear elevation view thereof;

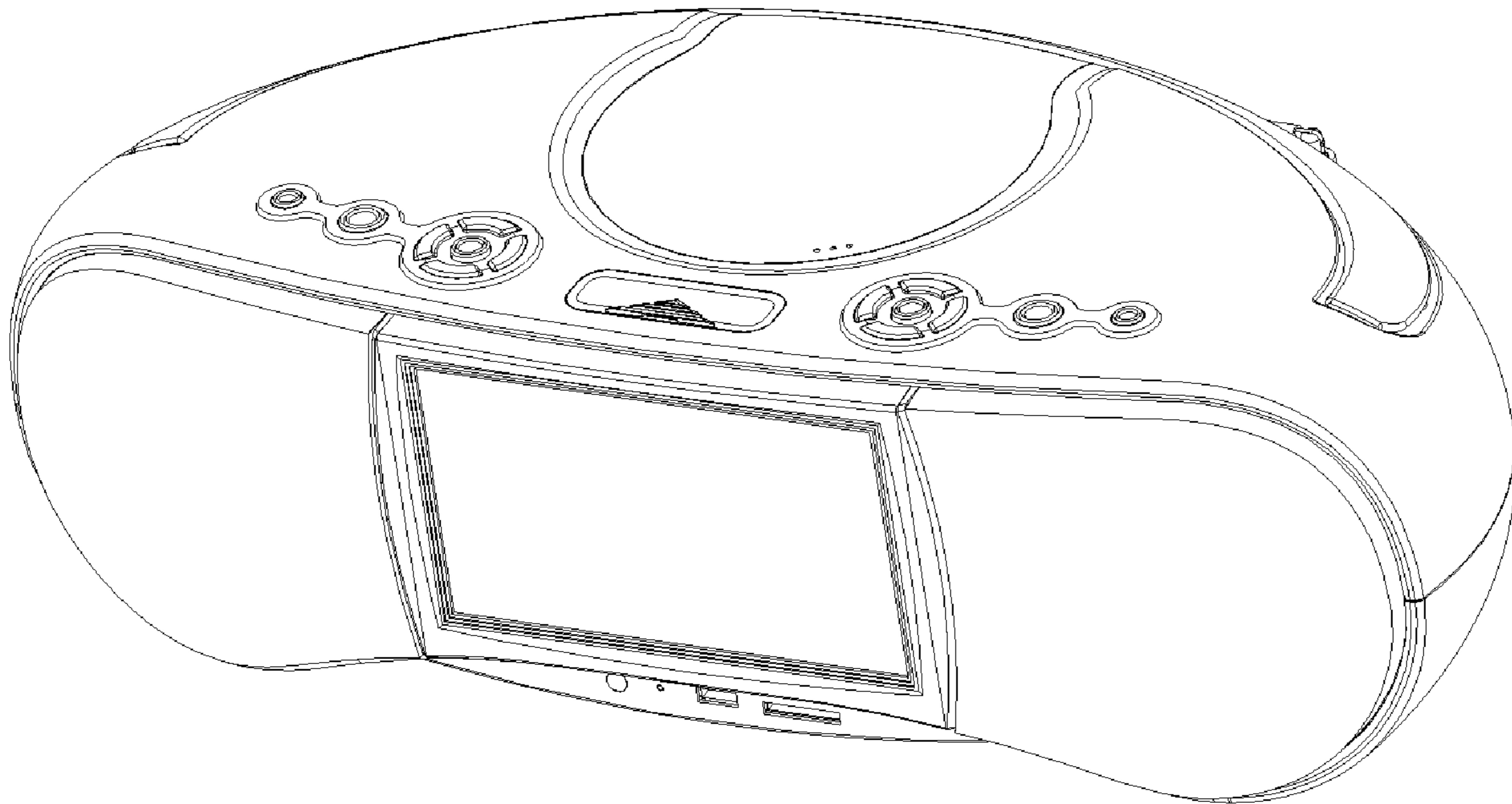
FIG. 4 is a left side elevation view thereof;

FIG. 5 is a right side elevation view thereof;

FIG. 6 is a top plan view thereof; and,

FIG. 7 is a bottom plan view thereof.

1 Claim, 4 Drawing Sheets



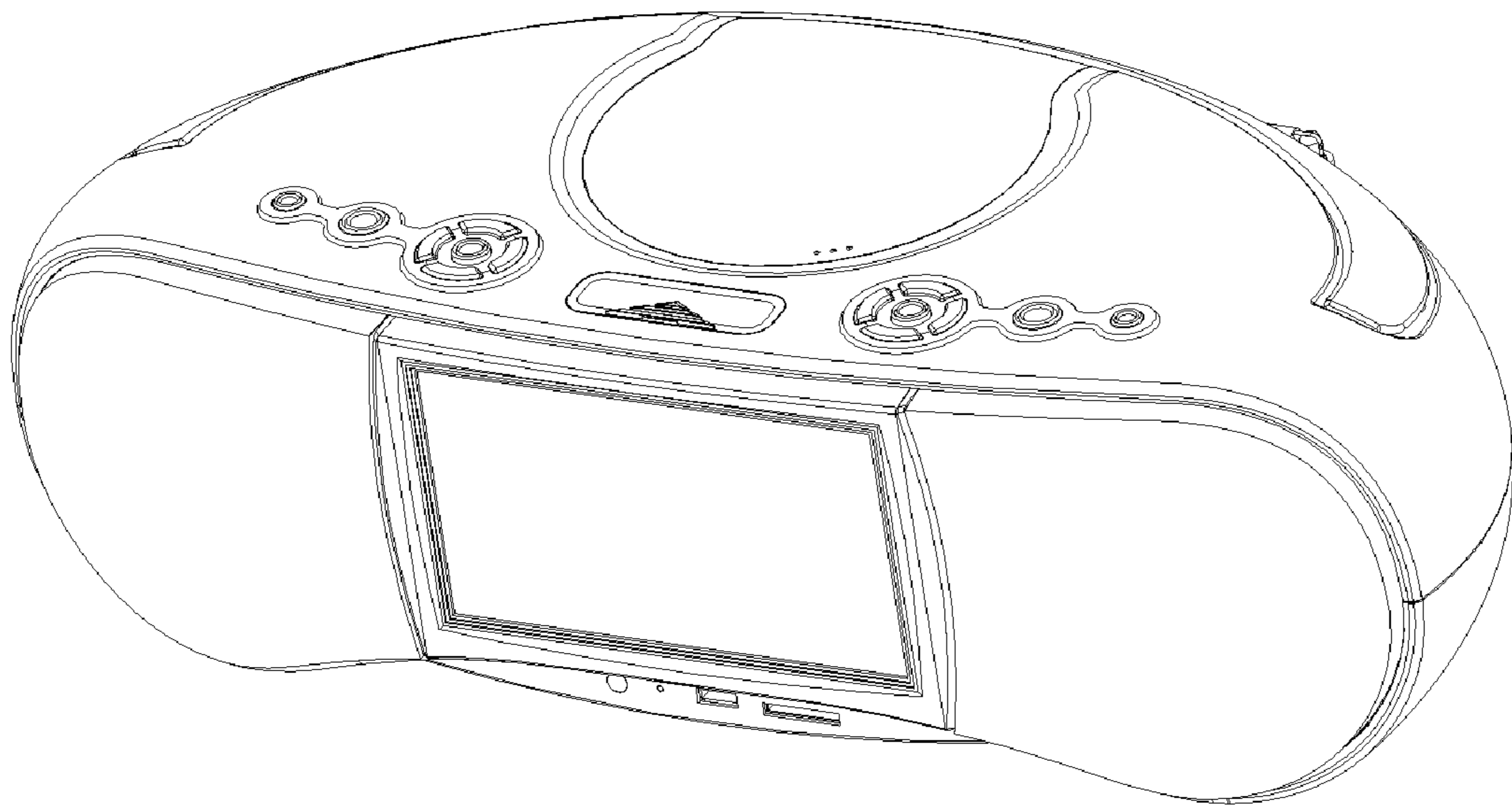


FIG. 1

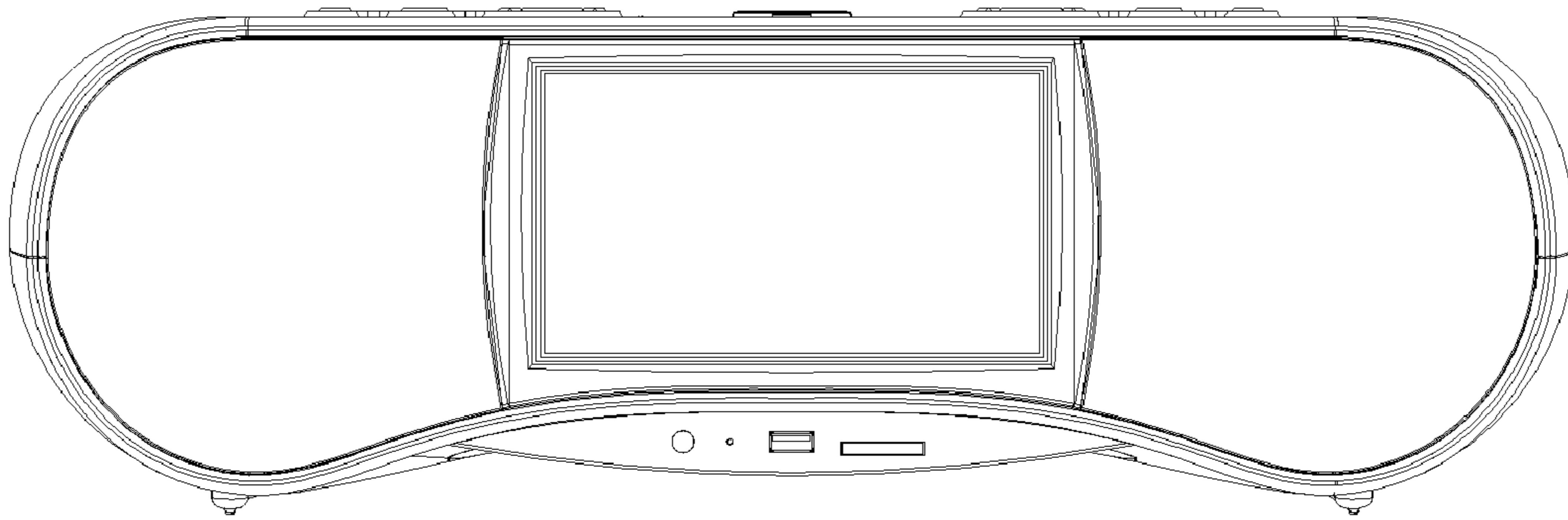


FIG. 2

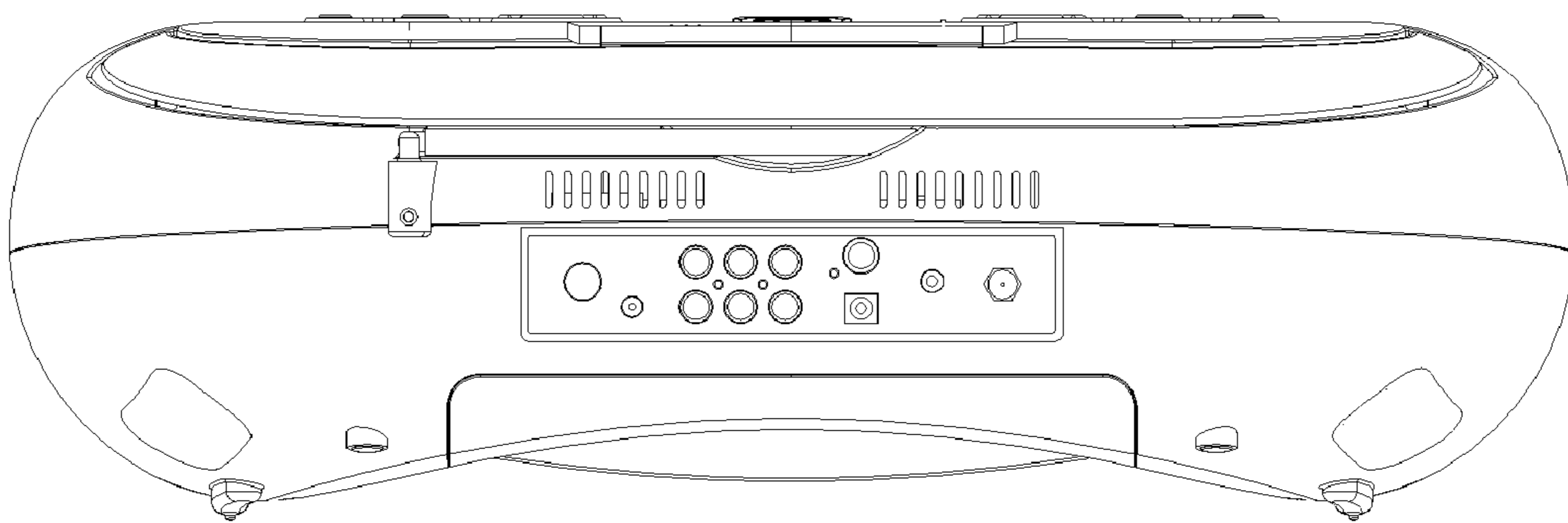


FIG. 3

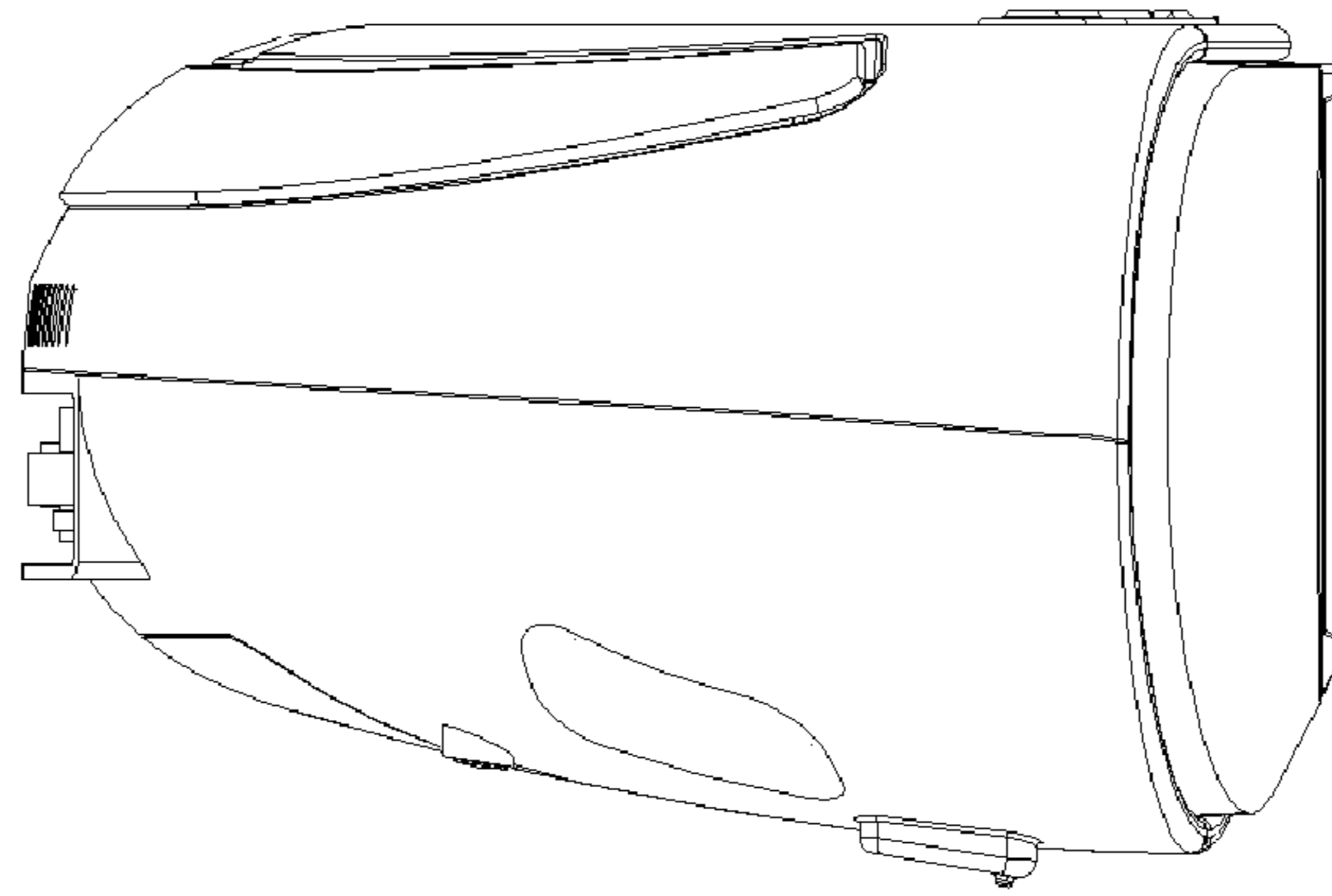


FIG. 4

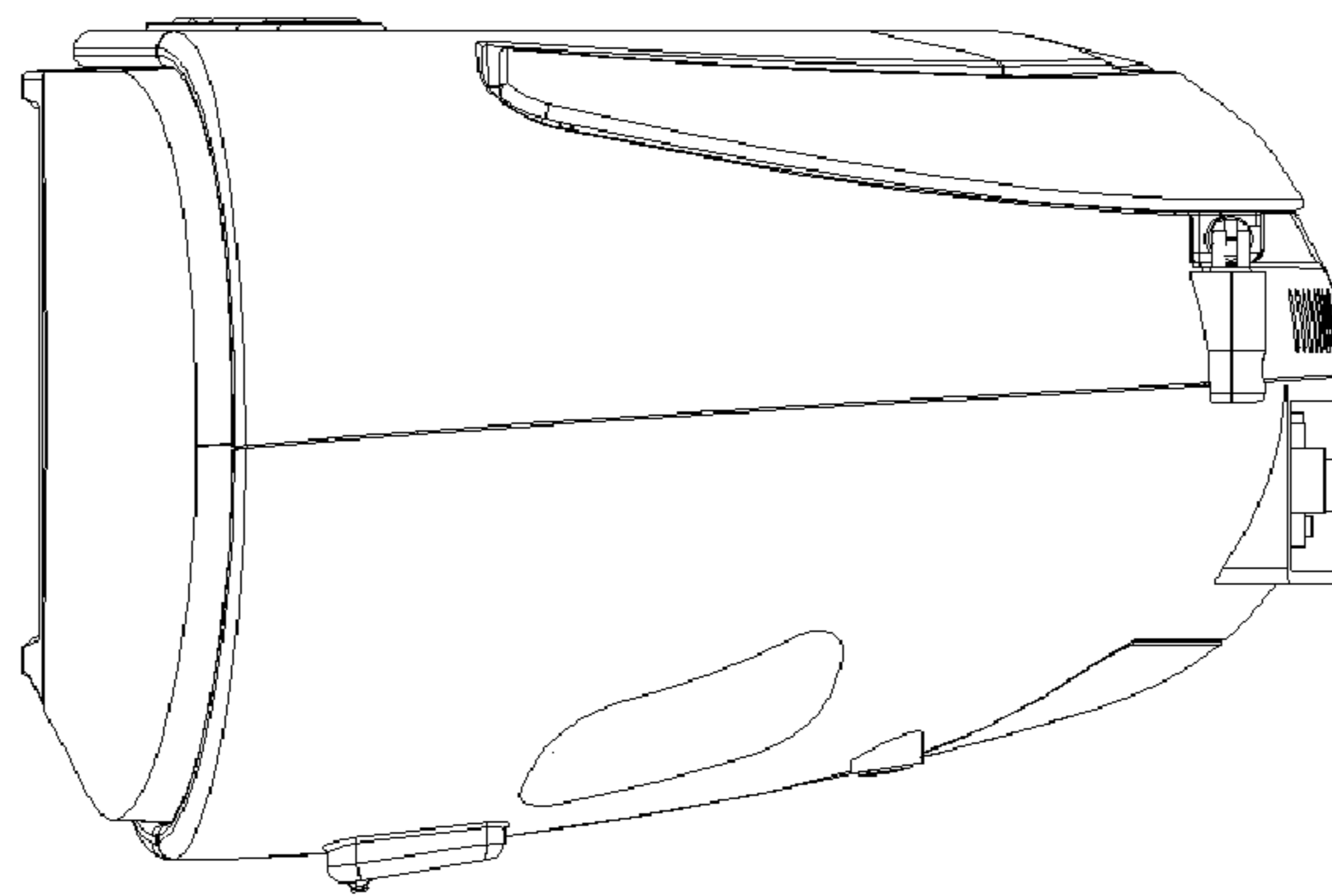


FIG. 5

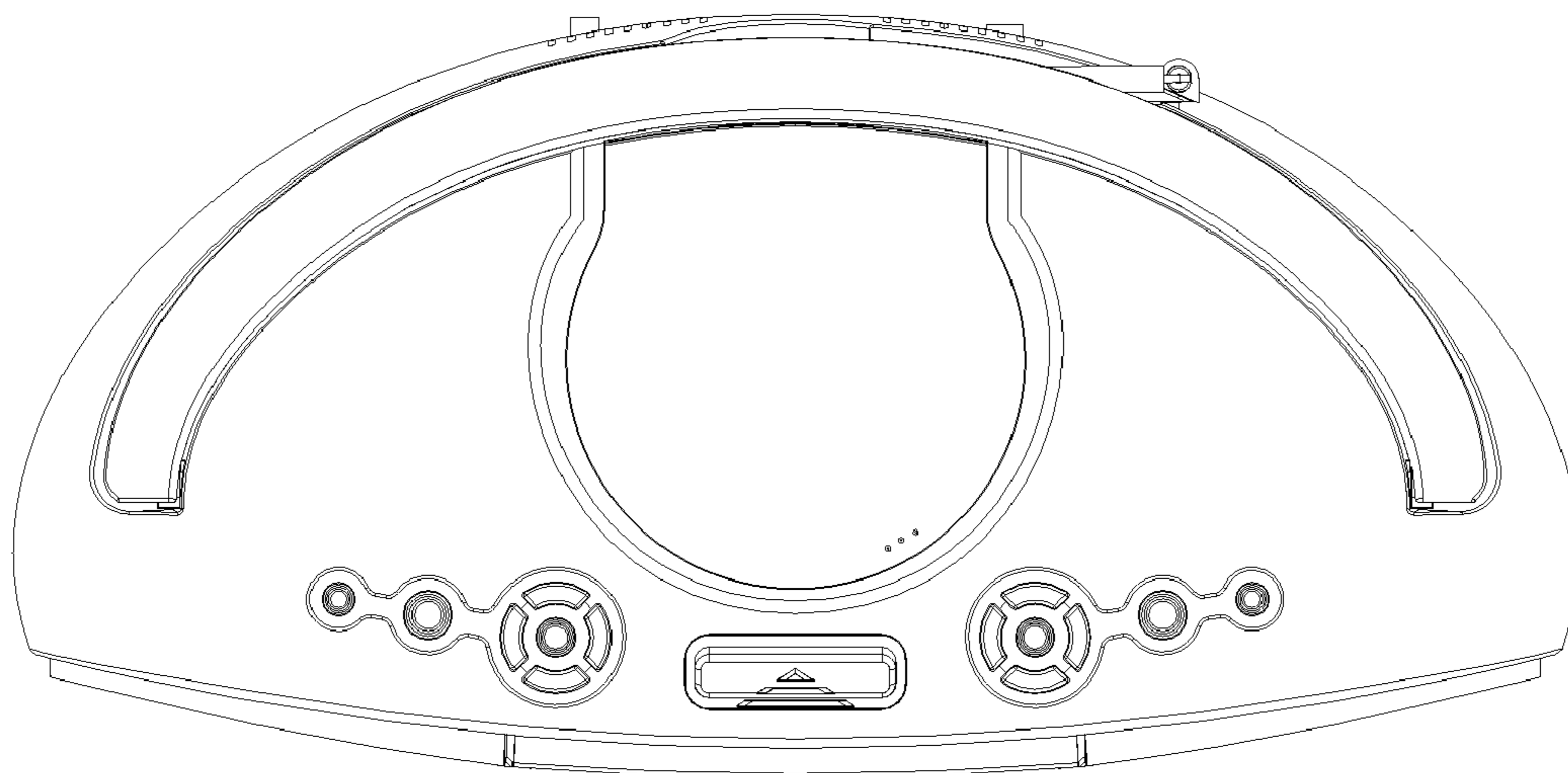


FIG. 6

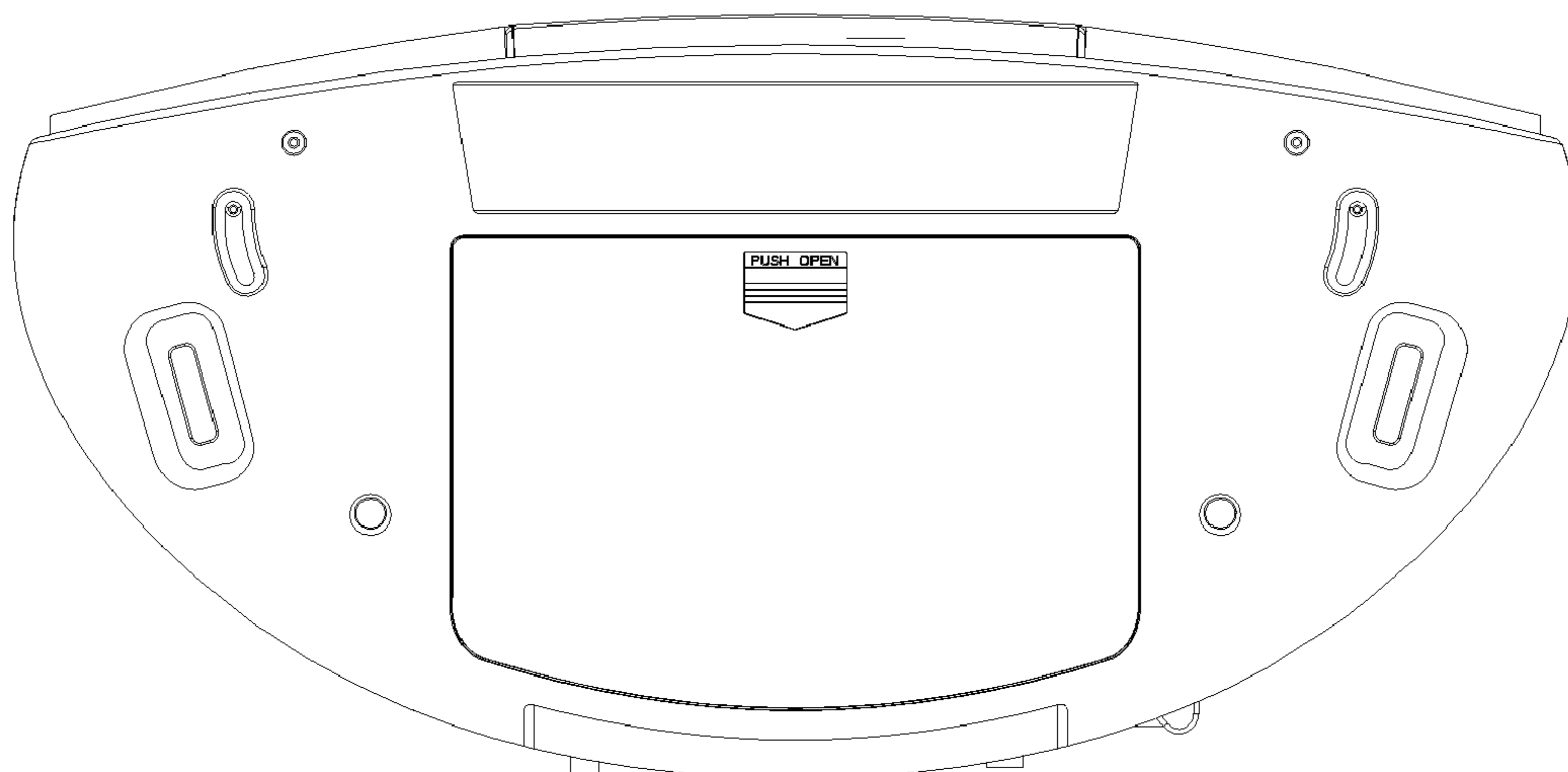


FIG. 7